



US00D800007S

(12) **United States Design Patent** (10) **Patent No.:** **US D800,007 S**
Tibi (45) **Date of Patent:** **** Oct. 17, 2017**

(54) **WATCH STRAP**

(71) Applicant: **RUBBER B, LLC**, Miami Beach, FL (US)

(72) Inventor: **Arnaud B. Tibi**, Miami Beach, FL (US)

(73) Assignee: **RUBBER B, LLC**, Miami Beach, FL (US)

(**) Term: **15 Years**

(21) Appl. No.: **29/589,001**

(22) Filed: **Dec. 27, 2016**

(51) **LOC (10) Cl.** **11-01**

(52) **U.S. Cl.**

USPC **D11/3**

(58) **Field of Classification Search**

USPC D11/1-6; D10/30-32, 38, 39, 46, 70, D10/128; D14/344; D24/167, 169, 186, D24/187; D3/215, 217, 218

CPC A44C 5/00; A44C 5/0007; A44C 5/0015; A44C 5/0023; A44C 5/003; A44C 5/0038; A44C 5/0046; A44C 5/0053; A44C 5/0061; A44C 5/0069; A44C 5/0076; A44C 5/02; A44C 5/022; A44C 5/025; A44C 5/027; A44C 5/04; A44C 5/06; A44C 5/08; A44C 11/00; A44C 13/00; A44C 15/00; G06F 1/163

See application file for complete search history.

(56) **References Cited**

U.S. PATENT DOCUMENTS

D240,368 S * 6/1976 Button D11/3
D306,981 S 4/1990 Bettelini

(Continued)

OTHER PUBLICATIONS

Strap for Panerai Luminor 44mm, Rubberb.com, published Mar. 29, 2014, online. Site visited May 1, 2014. Internet URL: <http://rubberb.com/en/strap-panerai-luminor-44mm>.

Blaken Yacht-Master II, Blaken.com, published Oct. 16, 2013, online. Site visited May 1, 2014. Internet URL: <http://www.blaken.com/en/individual/yacht-master-ii>.

Hawk Ceramic by Girard-Perregaux, TheWatchQuote.com, published May 14, 2013, online. Site visited May 1, 2014. Internet URL: http://www.thewatchquote.com/The-Girard-Perregaux-Hawk-Ceramic-watch-High-technology-at-the-service-of-sport-No_9747.htm.

(Continued)

Primary Examiner — Cynthia Ramirez

Assistant Examiner — Llorellys Martinez-Rivera

(74) *Attorney, Agent, or Firm* — Marshall, Gerstein & Borun LLP

(57) **CLAIM**

The ornamental design for a watch strap, as shown and described.

DESCRIPTION

FIG. 1 is a front perspective view of a watch strap of the present invention;

FIG. 2 is a front plan view of the watch strap illustrated in FIG. 1;

FIG. 3 is a rear plan view of the watch strap illustrated in FIG. 1;

FIG. 4 is a right side view of the watch strap illustrated in FIG. 1;

FIG. 5 is a left side view of the watch strap illustrated in FIG. 1;

FIG. 6 is a top plan view of the watch strap illustrated in FIG. 1;

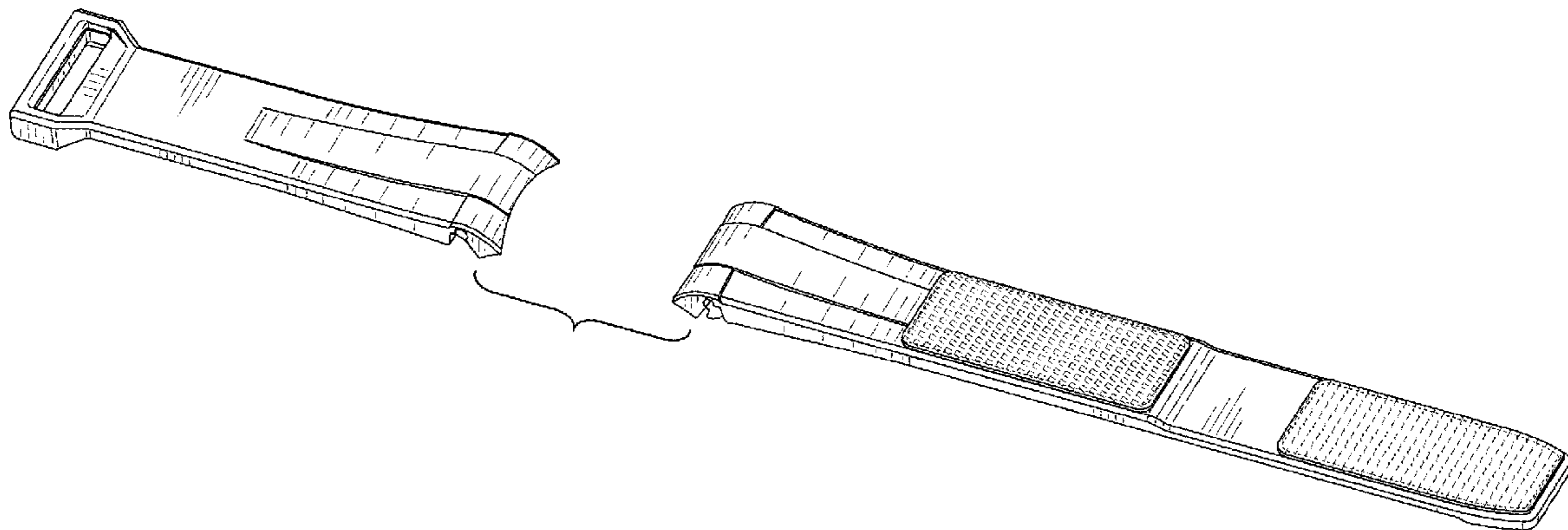
FIG. 7 is a bottom plan view of the watch strap illustrated in FIG. 1; and,

FIG. 8 is perspective view thereof, showing the watch strap illustrated in FIG. 1 in a configuration of use.

The broken lines showing a human hand in FIG. 8 represent environmental subject matter only and form no part of the claimed design.

The generally rectangular regions toward the right ends of the watch strap in FIGS. 1 and 6-8 feature a plurality of dashed and squared U-shaped lines that represent a hook-and-loop fastener system of the watch strap. The other broken lines in FIGS. 1 and 6-8, shown inboard of the perimeter of the generally rectangular regions, represent stitching and form part of the claimed design.

1 Claim, 5 Drawing Sheets



(56)

References Cited

U.S. PATENT DOCUMENTS

D350,071	S	8/1994	Giardiello	
D365,442	S *	12/1995	Davis	D11/3
D378,807	S *	4/1997	Houlihan	D11/3
D390,492	S *	2/1998	Riley	D11/5
D391,866	S *	3/1998	Brzezinski	D10/30
D391,871	S	3/1998	Brzezinski	
D391,882	S *	3/1998	Roales	D11/3
D391,883	S *	3/1998	Close	D11/3
D426,486	S	6/2000	Kubo et al.	
D441,305	S	5/2001	Modolo	
D446,467	S *	8/2001	Lepeu	D11/3
6,435,709	B2	8/2002	Hirano et al.	
D515,962	S	2/2006	Lalo	
D526,574	S *	8/2006	Plange	D10/32
D533,468	S *	12/2006	Loth	D10/32
D536,996	S *	2/2007	Loth	D10/32
D563,256	S *	3/2008	Borraccino	D10/32
D589,373	S	3/2009	Chen	
D591,177	S	4/2009	Schoepfer	
D644,952	S	9/2011	Rabassa	
D654,814	S	2/2012	Kumano et al.	
D680,884	S	4/2013	Bernard et al.	
D705,084	S *	5/2014	Emmenegger	D10/32
D781,171	S *	3/2017	Akana	D11/3
D790,366	S *	6/2017	Nuovo	D10/32
2012/0250471	A1	10/2012	Bianco et al.	

OTHER PUBLICATIONS

Replacement watch strap SEIKO 28mm black rubber curved lug ends for SNL049, SNL051, SNAC21, Watchbandcenter.com, online. Site visited Apr. 24, 2014. Internet URL: <http://www.watchband-center.com/watchstrap-p17705h1821s1865-Replacement-watch-st.htm>.

Rolex Deepsea Sea-Dweller Flared Tan Series, Rubberb.com, published Jan. 25, 2013, online. Site visited Apr. 30, 2014. Internet URL: <http://rubberb.com/en/rolex-watch-band-products/rolex-deepsea-sea-dweller>.

Everest Home Page, published Mar. 9, 2012, online. Site visited May 1, 2014. Internet URL <http://www.everestbands.com>.

Blaken GMT-Master II Red Rubber, Highsnobiety.com, published Jul. 25, 2012, online. Site visited May 1, 2014. Internet URL: <http://www.highsnobiety.com/2012/07/25/blaken-gmt-master-ii-red-rubber4slide-1>.

22MM Strap for Omega Seamaster Planet Ocean Silicon Rubber BLK #2, Ebay.com listing, first revision on Feb. 19, 2013. Site visited Apr. 30, 2014. Internet URL: http://cgi.ebay.com/ws/eBayISAPI.dll?ViewItemRevisionDetails&item=170926445841&rt=nc&_trksid=p2047675.12569.

Design U.S. Appl. No. 29/454,085, filed May 6, 2013.

Design U.S. Appl. No. 29/418,819, filed Apr. 21, 2012.

* cited by examiner

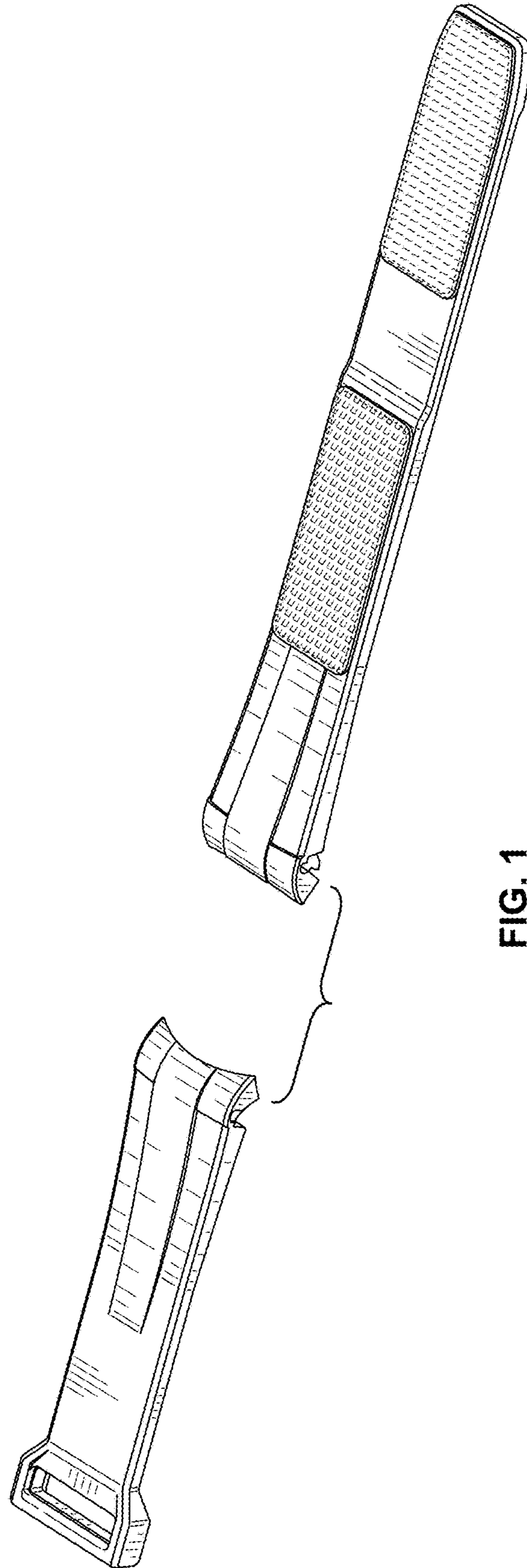


FIG. 1

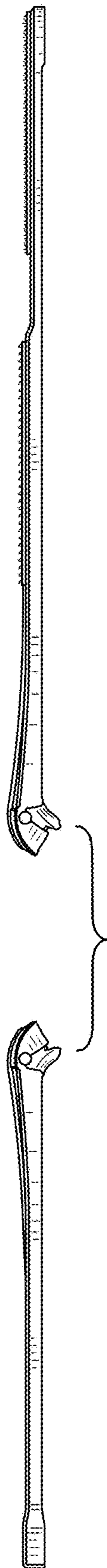


FIG. 2

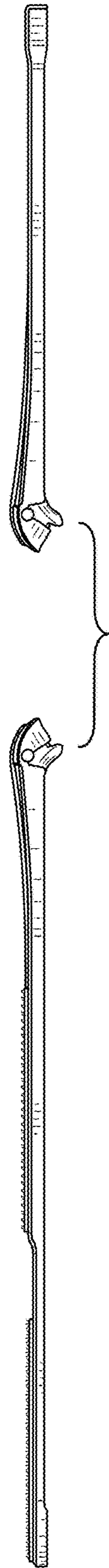


FIG. 3



FIG. 4

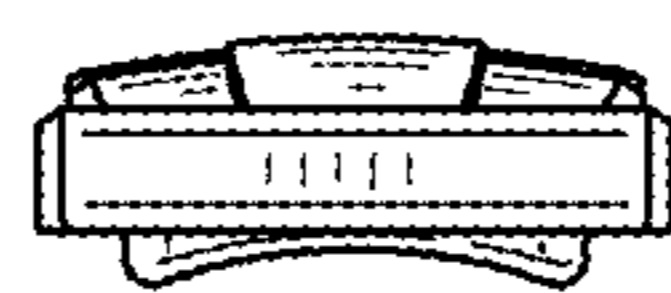


FIG. 5

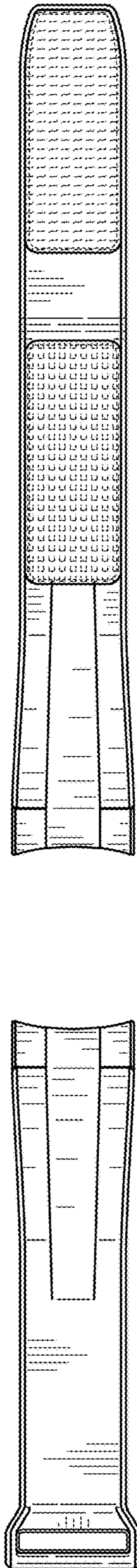


FIG. 6

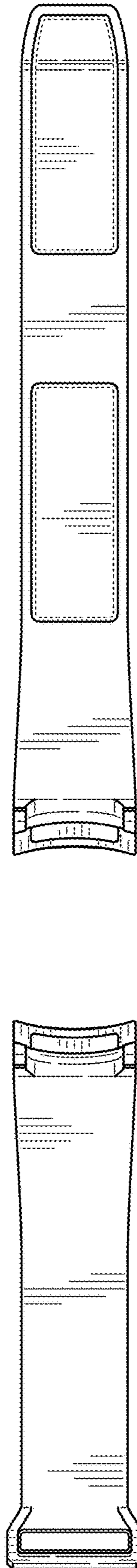


FIG. 7

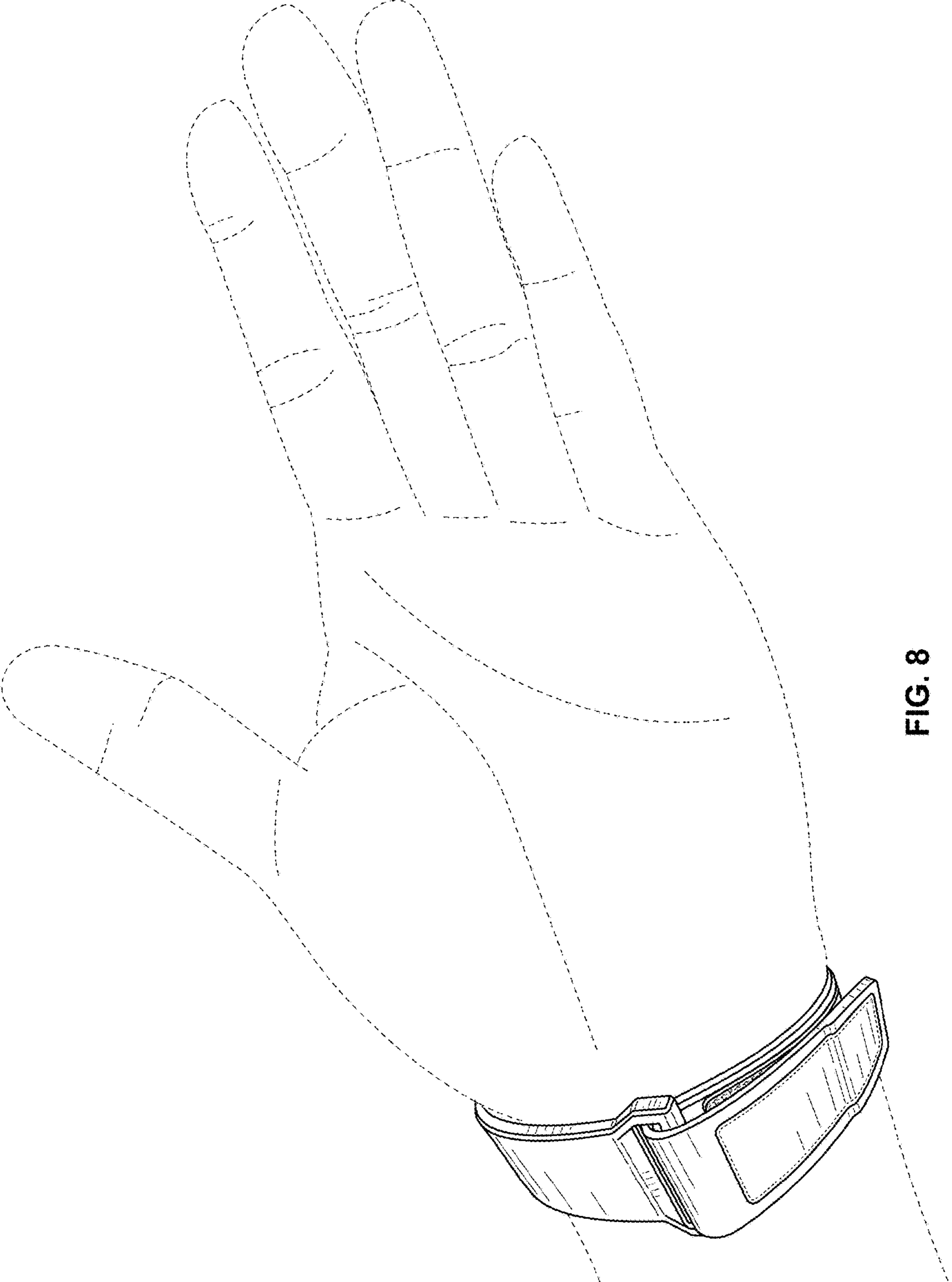


FIG. 8