



US00D800005S

(12) **United States Design Patent** (10) **Patent No.:** **US D800,005 S**
Wong (45) **Date of Patent:** **** Oct. 17, 2017**

- (54) **WIRELESS DOORBELL SET**
- (71) Applicant: **Long Wong**, Great Neck, NY (US)
- (72) Inventor: **Long Wong**, Great Neck, NY (US)
- (**) Term: **15 Years**
- (21) Appl. No.: **29/576,078**
- (22) Filed: **Aug. 31, 2016**
- (51) **LOC (10) Cl.** **10-05**
- (52) **U.S. Cl.**
USPC **D10/118.2**
- (58) **Field of Classification Search**
USPC D10/116.1, 118, 118.2, 121, 122, 123,
D10/124, 126; D16/202, 203, 208, 209,
D16/215
CPC ... G08B 3/00; G08B 3/10; G08B 7/00; G08B
7/06
See application file for complete search history.

(56) **References Cited**
U.S. PATENT DOCUMENTS

D258,424 S *	3/1981	Doggart	D10/118
D344,036 S *	2/1994	Yuen	D10/118
D353,345 S *	12/1994	Dawson	D10/118
D547,223 S *	7/2007	Tal	D10/106.1
D636,286 S *	4/2011	Khor	D10/118
D636,287 S *	4/2011	Khor	D10/118
D724,462 S *	3/2015	Bould	D10/106.2
D730,755 S *	6/2015	Bould	D10/106.6
D733,780 S *	7/2015	Chen	D16/202
D746,711 S *	1/2016	Li	D10/106.1
D747,756 S *	1/2016	Scalisi	D16/203
D764,958 S *	8/2016	Scalisi	D10/118.2
D765,530 S *	9/2016	Scalisi	D10/118.2
D768,014 S *	10/2016	Yang	D10/118.2
D768,015 S *	10/2016	Yang	D10/118.2
9,466,194 B1 *	10/2016	Kraz	G08B 17/10
D778,755 S *	2/2017	Yang	D10/118.2
2006/0232434 A1 *	10/2006	Yu	G08B 3/10 340/693.5
2012/0044085 A1 *	2/2012	Hung	G08B 3/10 340/815.69

* cited by examiner

Primary Examiner — George D Kirschbaum
Assistant Examiner — Joseph Kukella
(74) *Attorney, Agent, or Firm* — John F. Vodopia

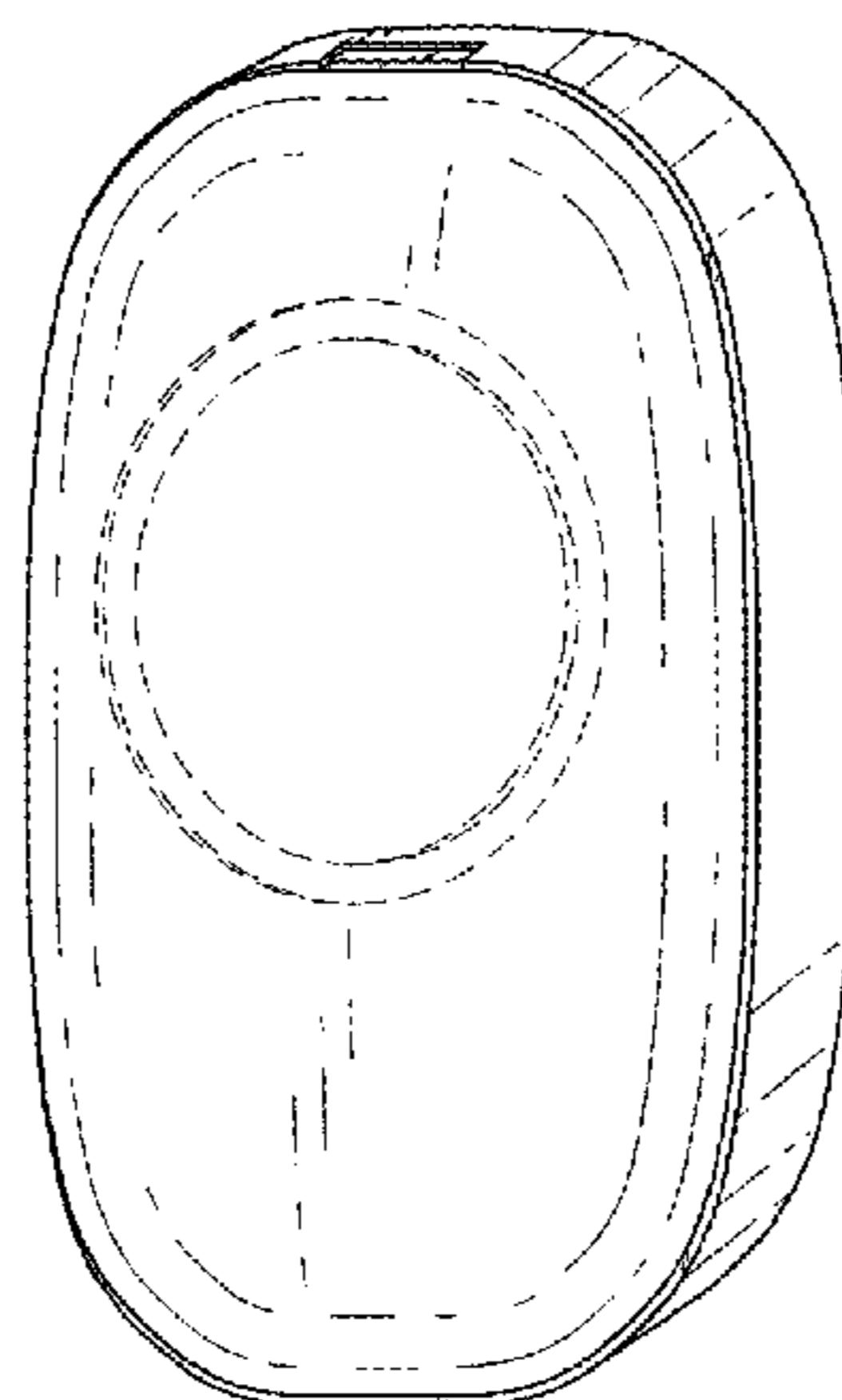
(57) **CLAIM**

The ornamental design for the wireless doorbell set, as shown and described.

DESCRIPTION

FIG. 1 is a front perspective view of a receiver part of my design for a wireless doorbell set;
 FIG. 2 is front plan view thereof;
 FIG. 3 is a rear plan view thereof;
 FIG. 4 is a left side view thereof;
 FIG. 5 is a right side view thereof;
 FIG. 6 is a top side view thereof;
 FIG. 7 is a bottom side view thereof;
 FIG. 8 is a front perspective view of a ringer/transmitter part of my design for a wireless doorbell set;
 FIG. 9 is a is front plan view thereof;
 FIG. 10 is a rear plan view thereof;
 FIG. 11 is a left side view thereof;
 FIG. 12 is a right side view thereof;
 FIG. 13 is a top side view thereof;
 FIG. 14 is a bottom side view thereof;
 FIG. 15 is an environmental view depicting both the receiver part and the ringer/transmitter part of my design for a wireless doorbell set, arranged on opposing sides of an outer housing wall of a structure; and,
 FIG. 16 is view depicting a front perspective view the receiver part and a front perspective view of the ringer/transmitter part of my design for a wireless doorbell set, with the two parts arranged together as a set.
 Any broken line illustration of environmental structure in the drawing figures is not part of the ornamental design sought to be patented, i.e., is not part of the claimed design.

1 Claim, 8 Drawing Sheets



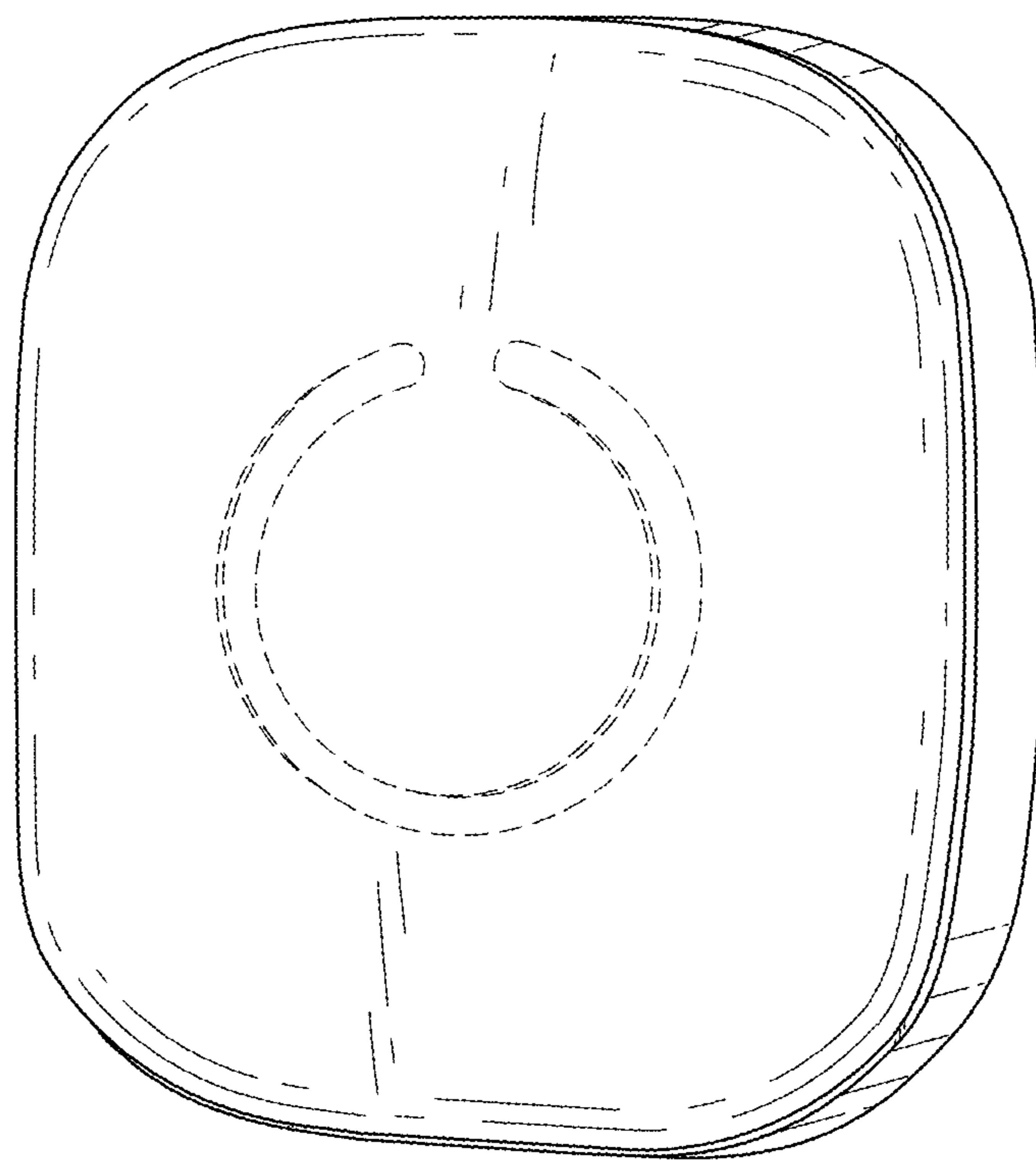


FIG. 1

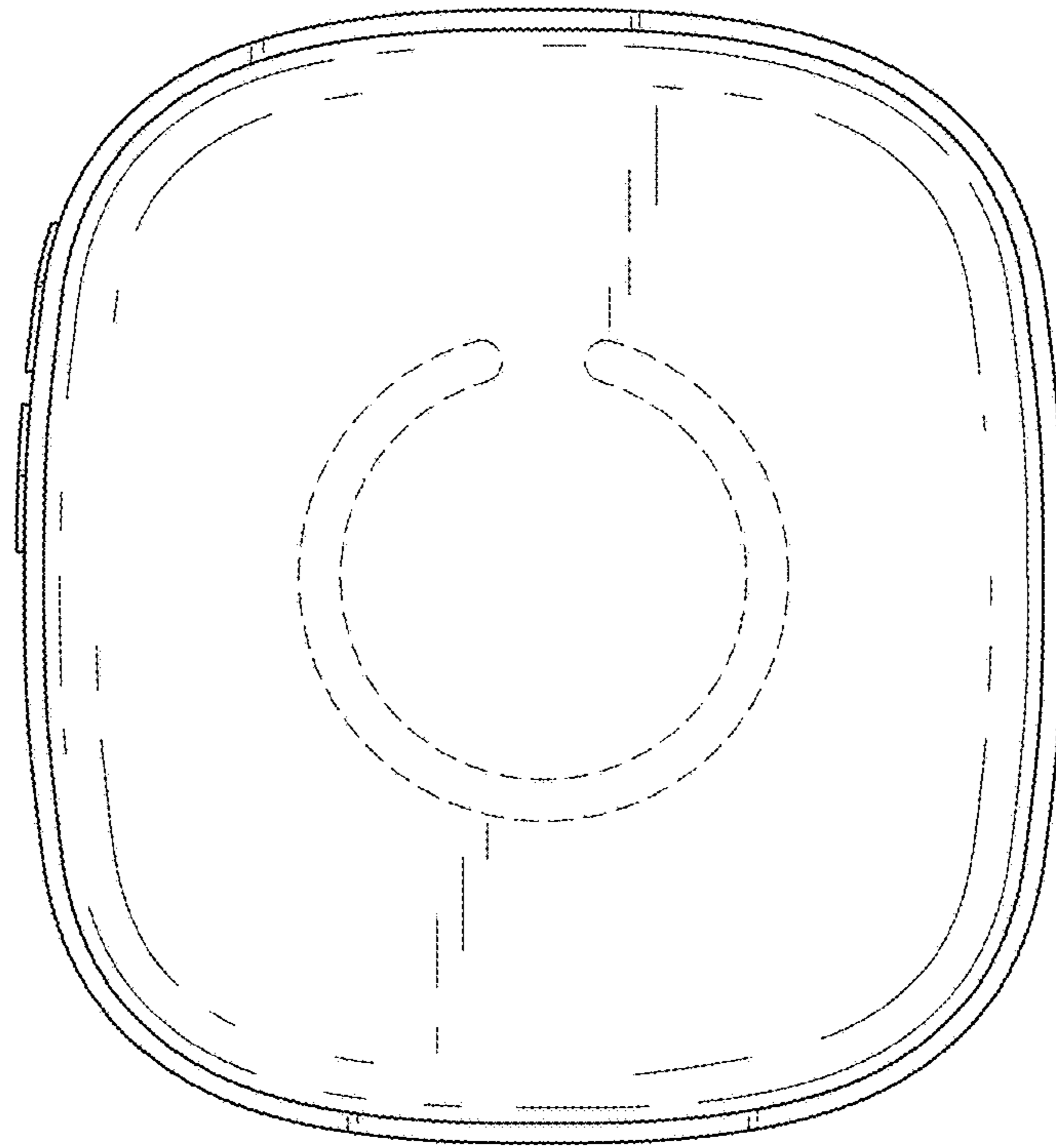


FIG. 2

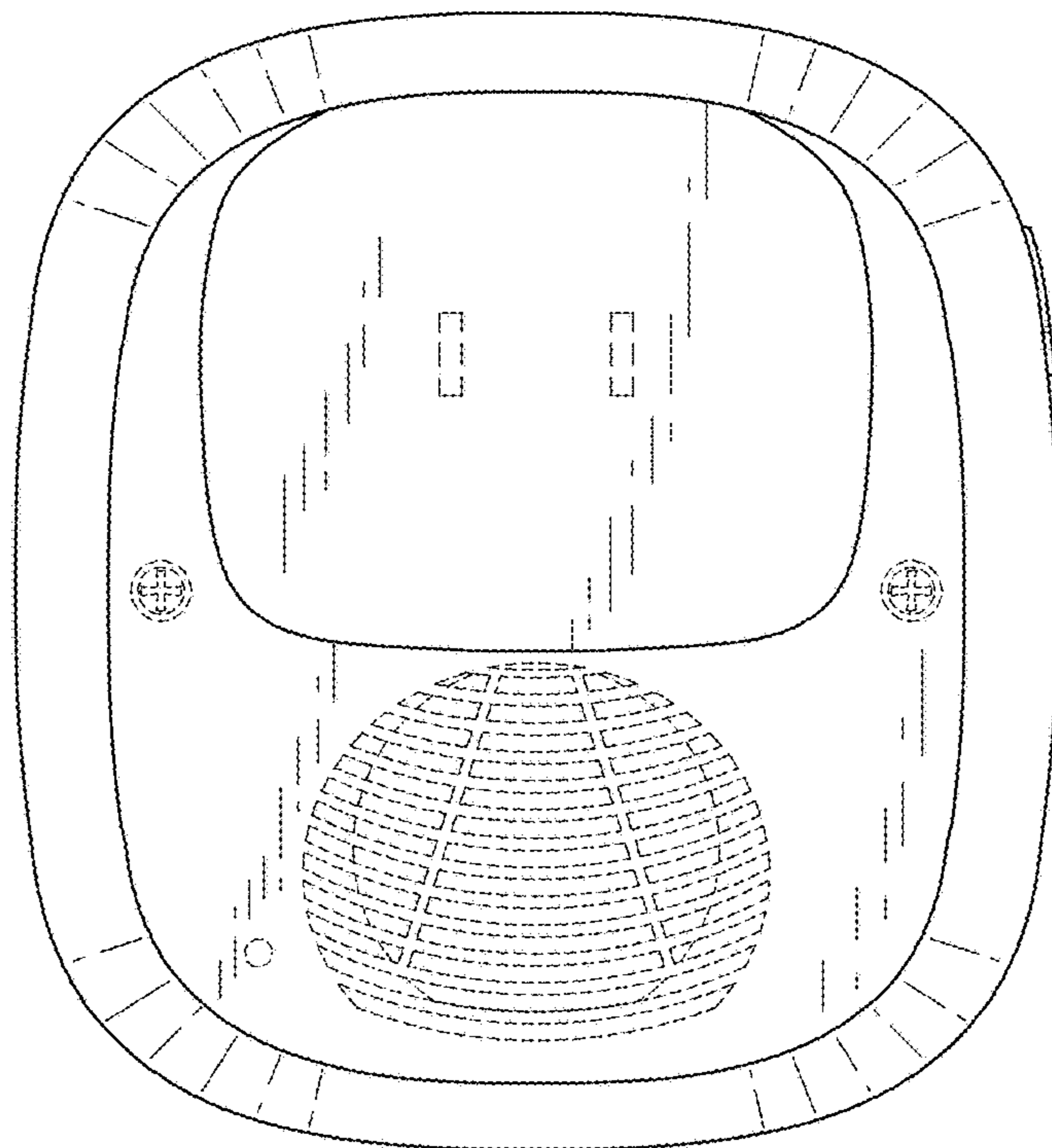


FIG. 3

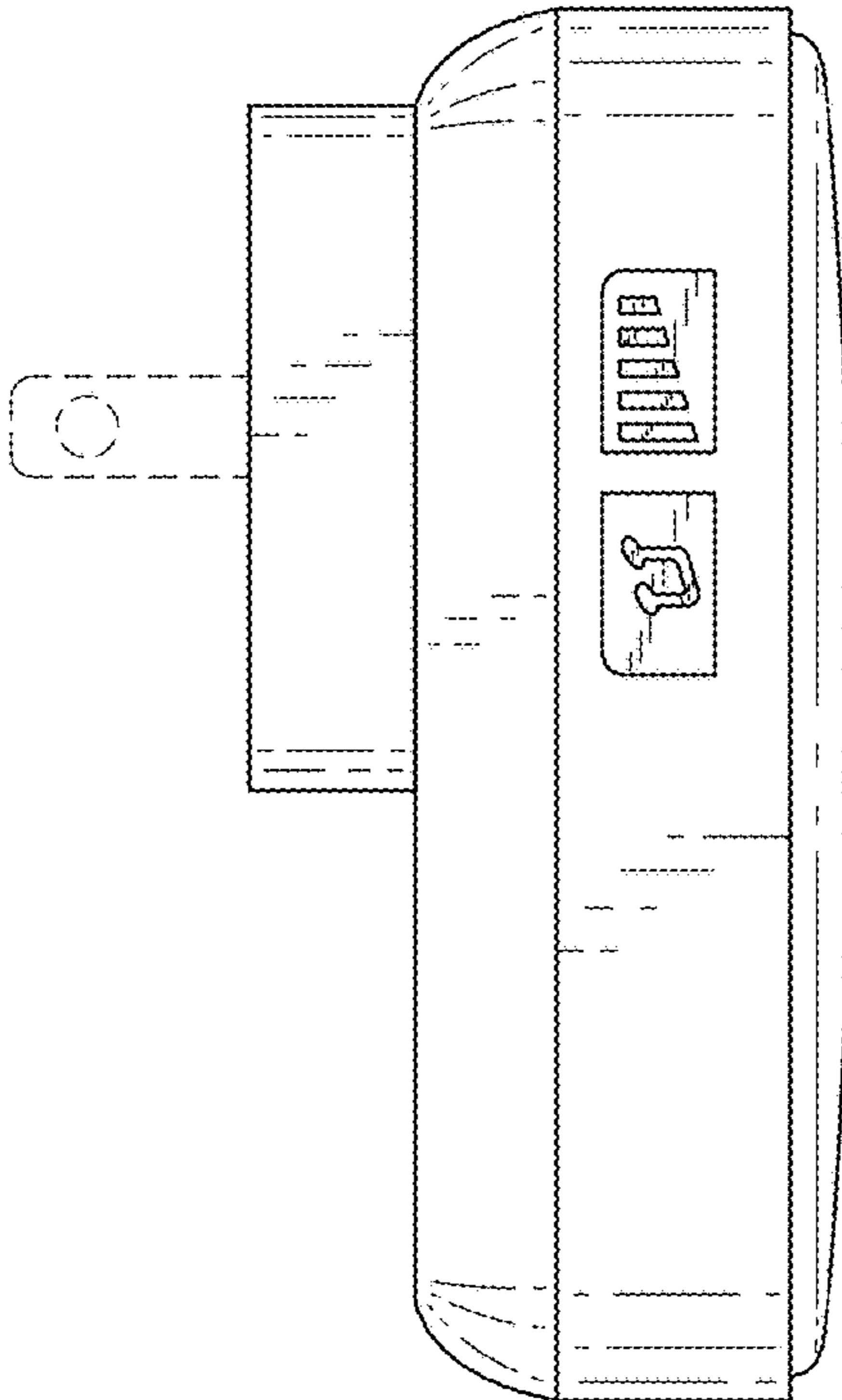


FIG. 4

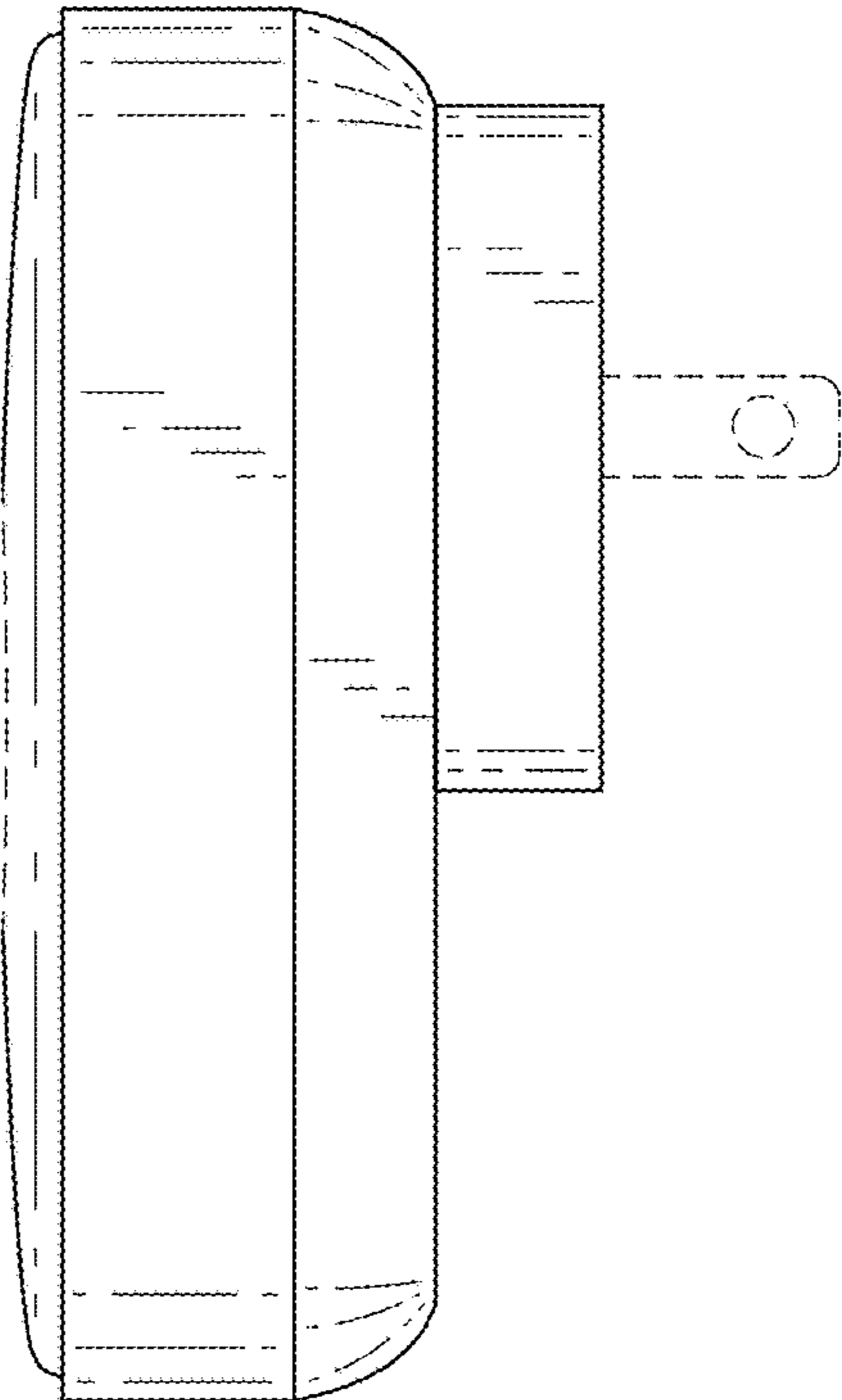


FIG. 5

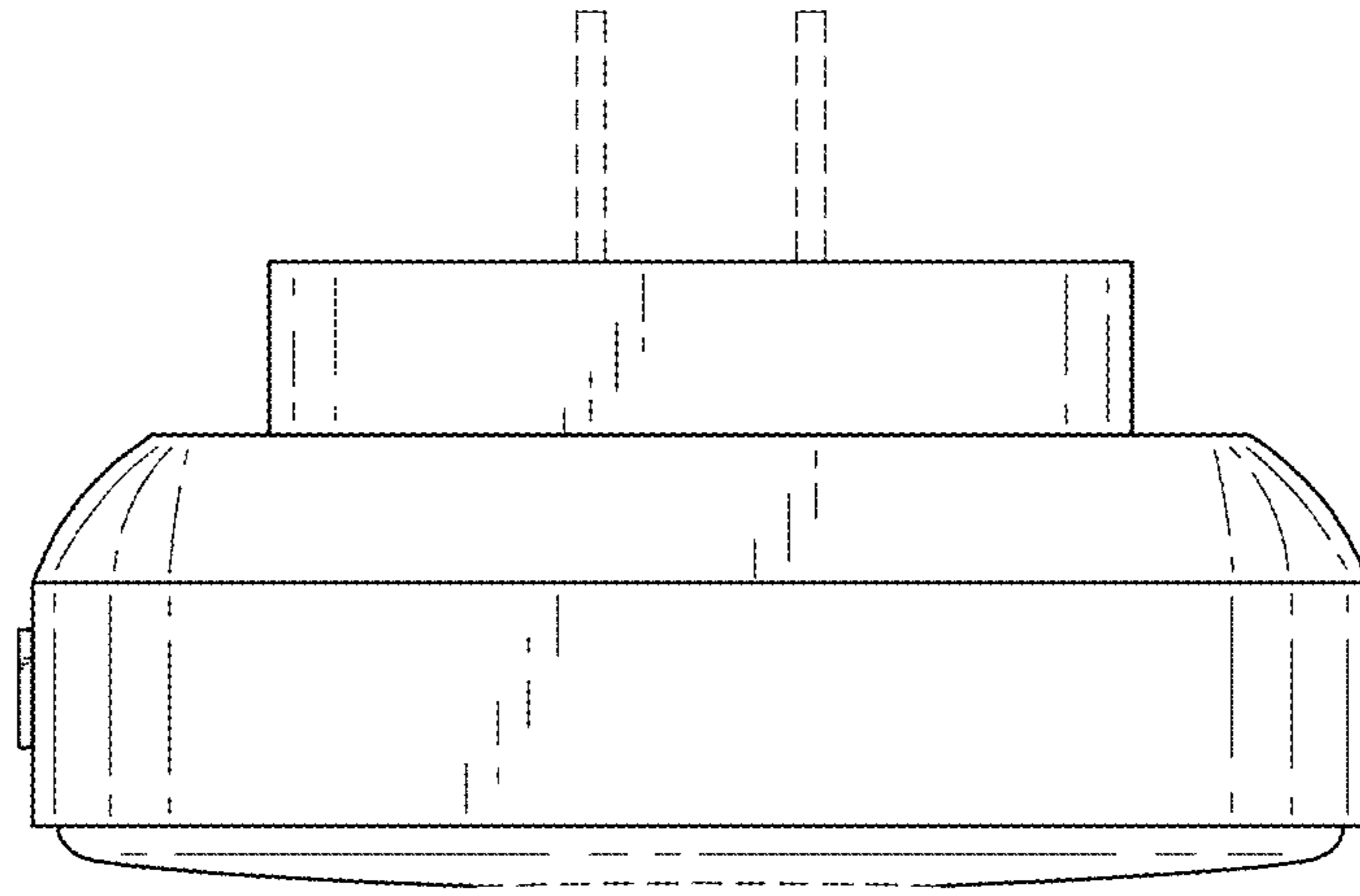


FIG. 6

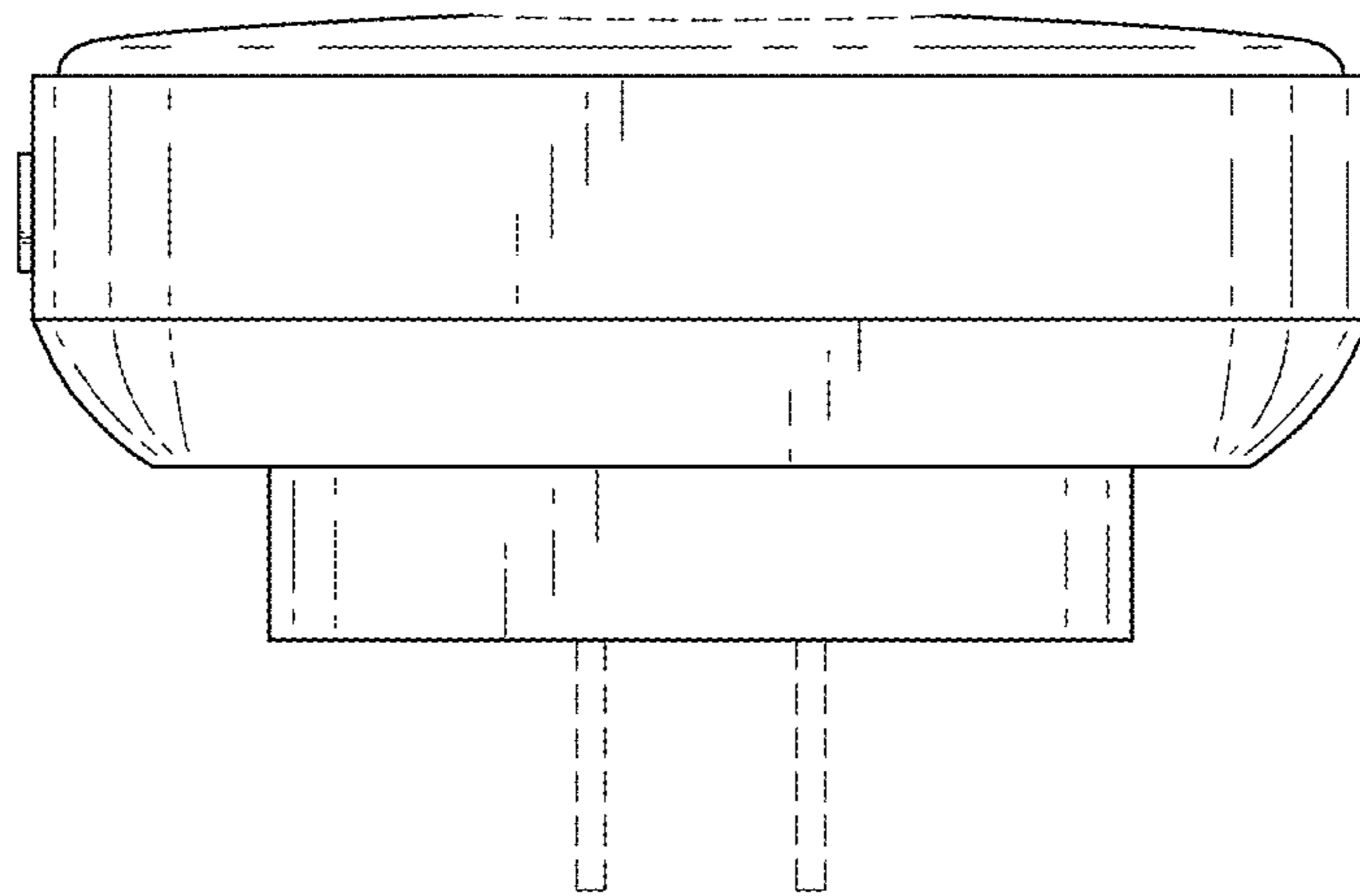


FIG. 7

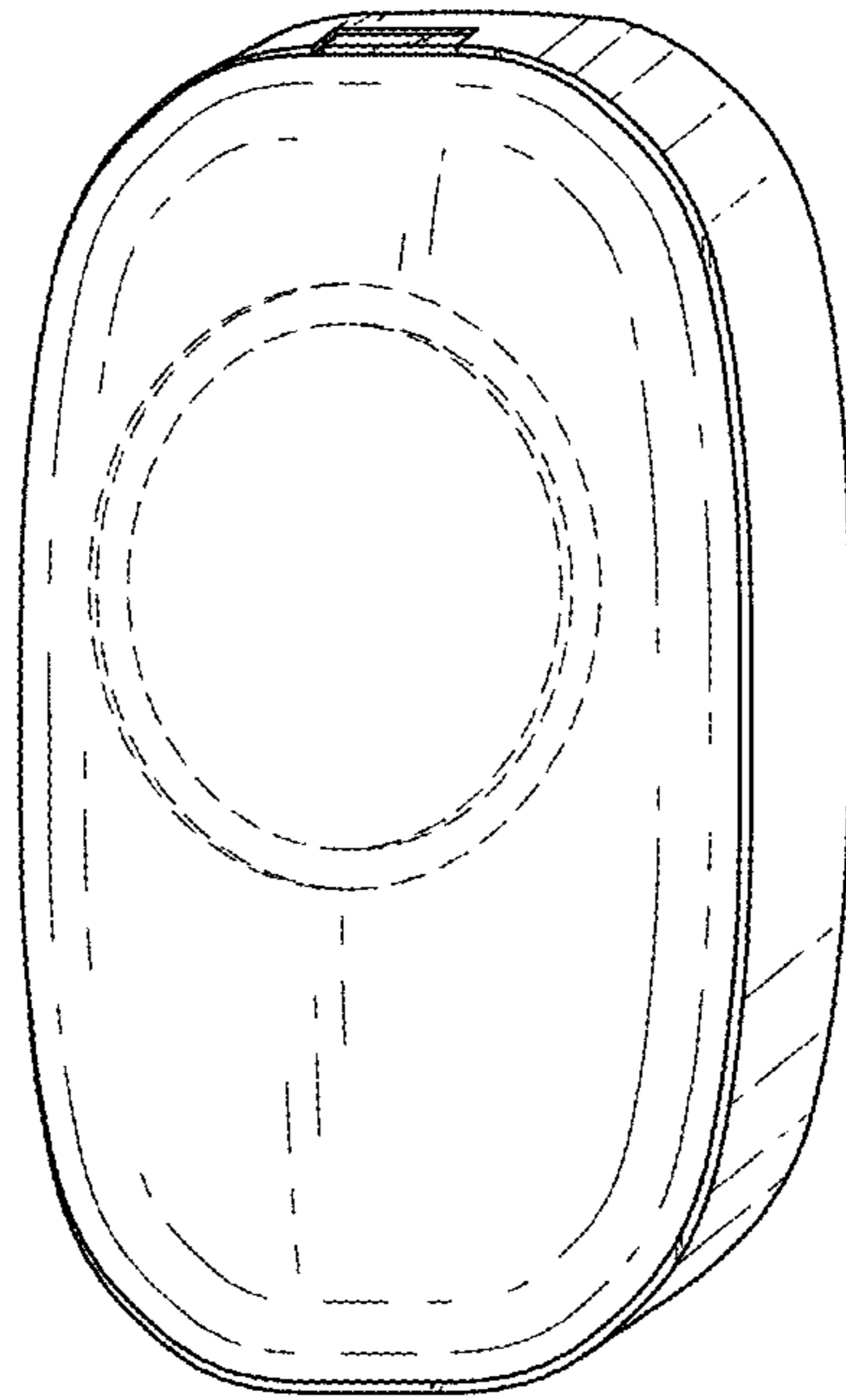


FIG. 8

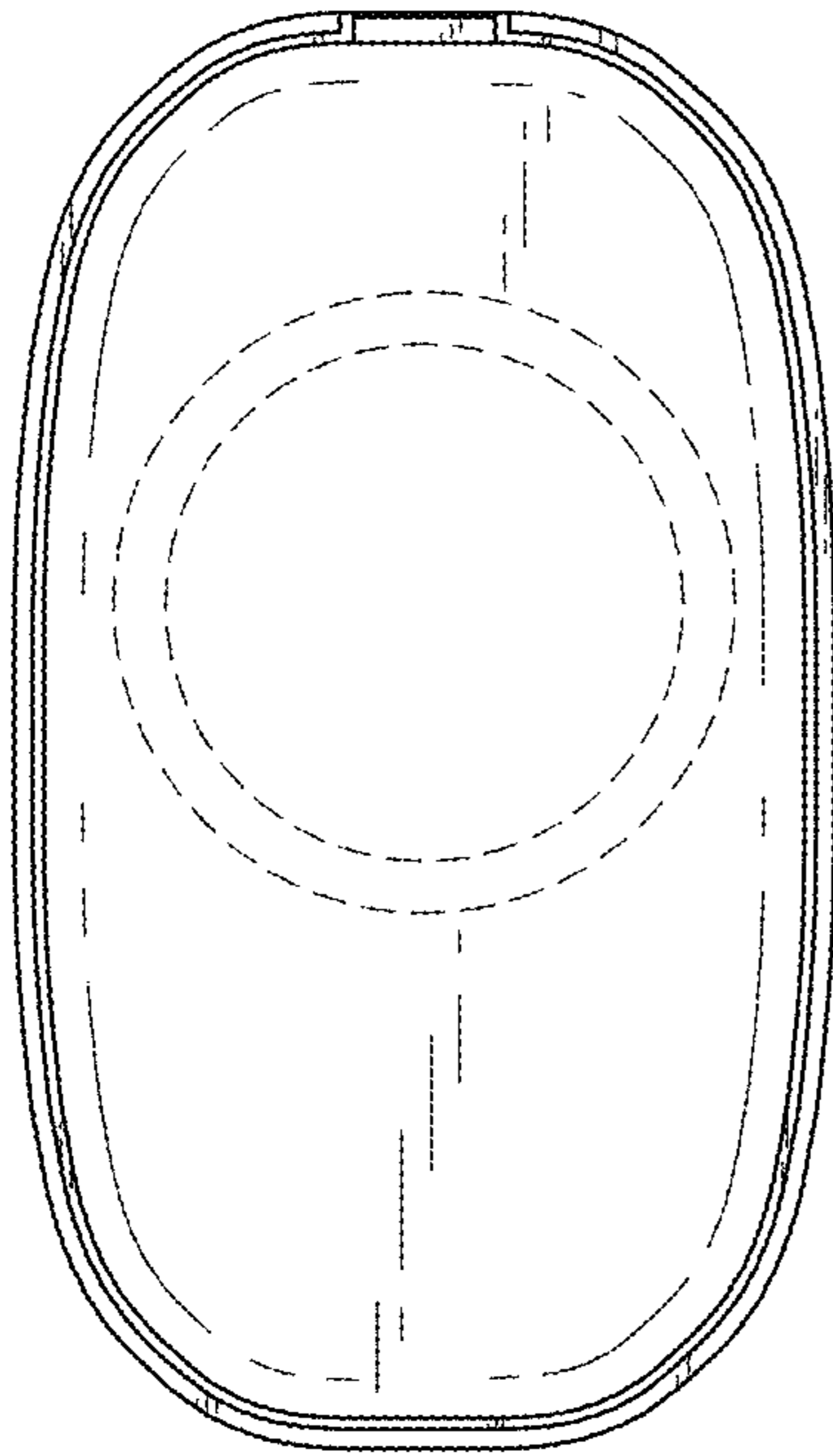


FIG. 9

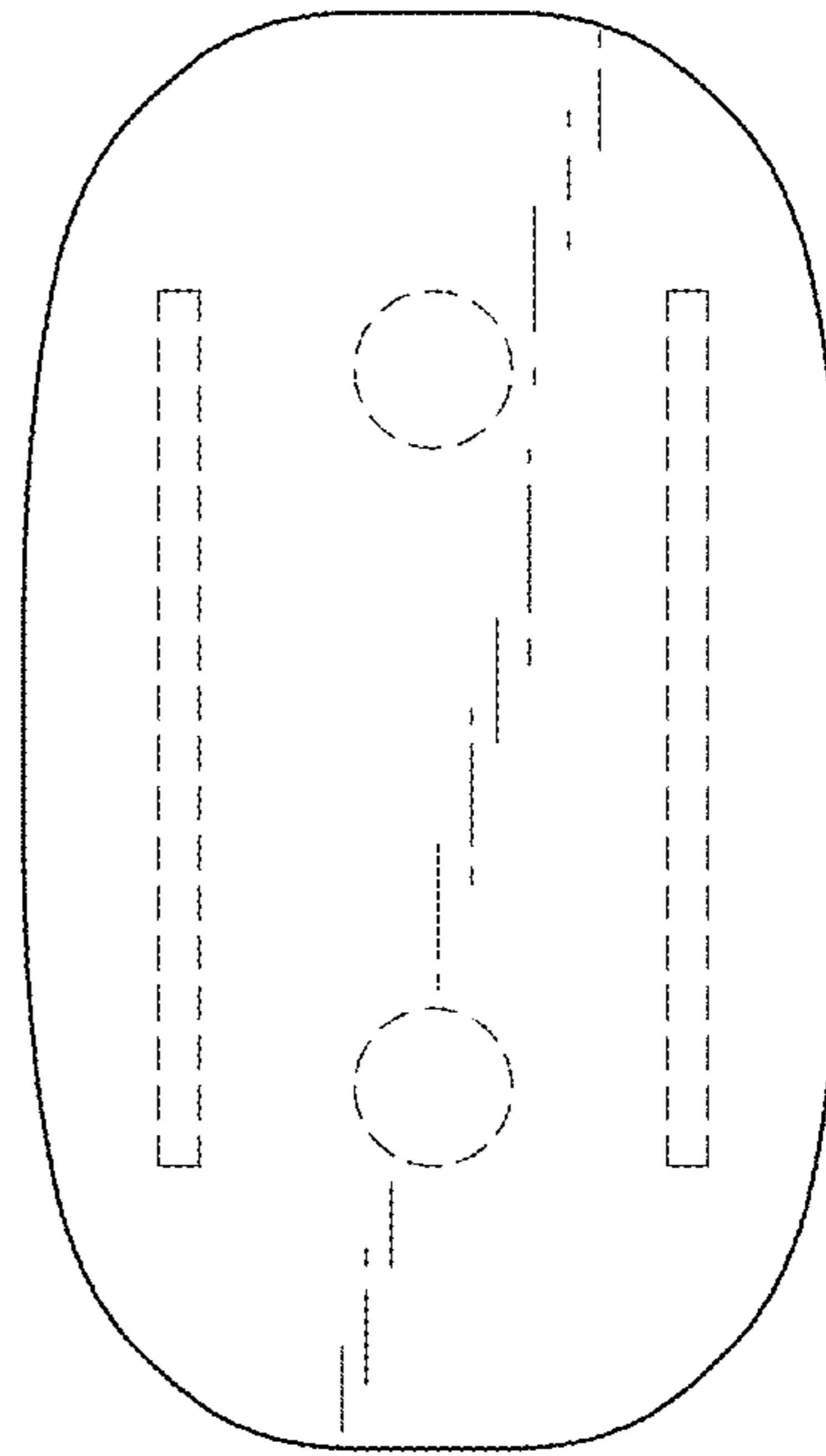


FIG. 10

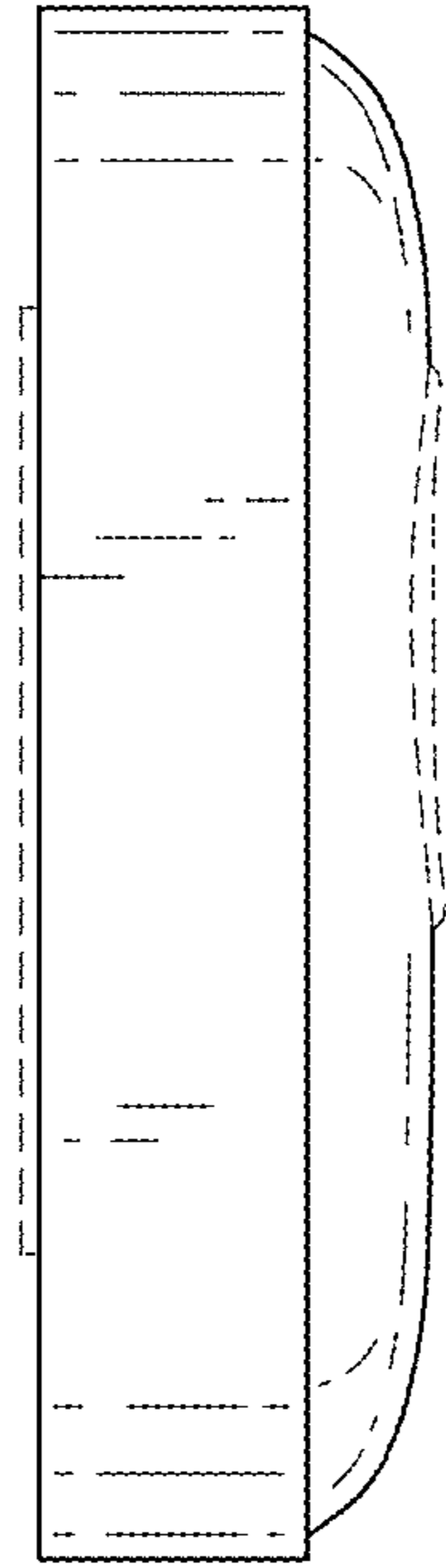


FIG. 11

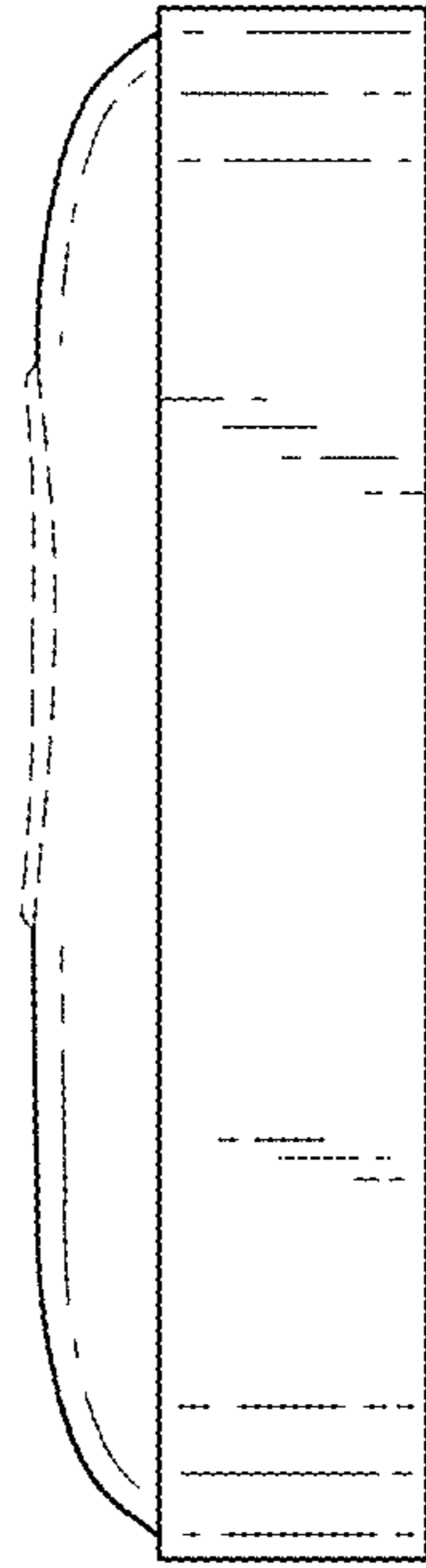


FIG. 12

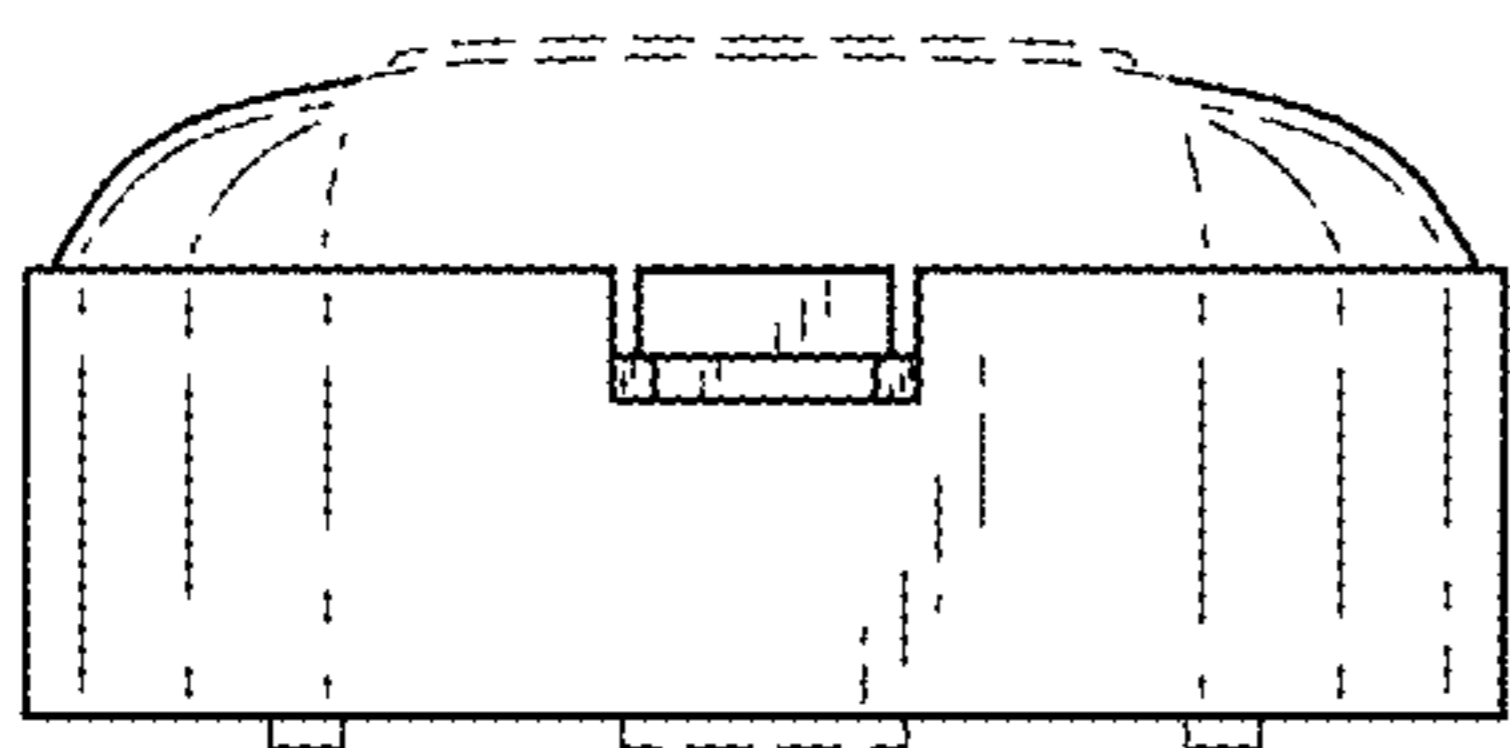


FIG. 13

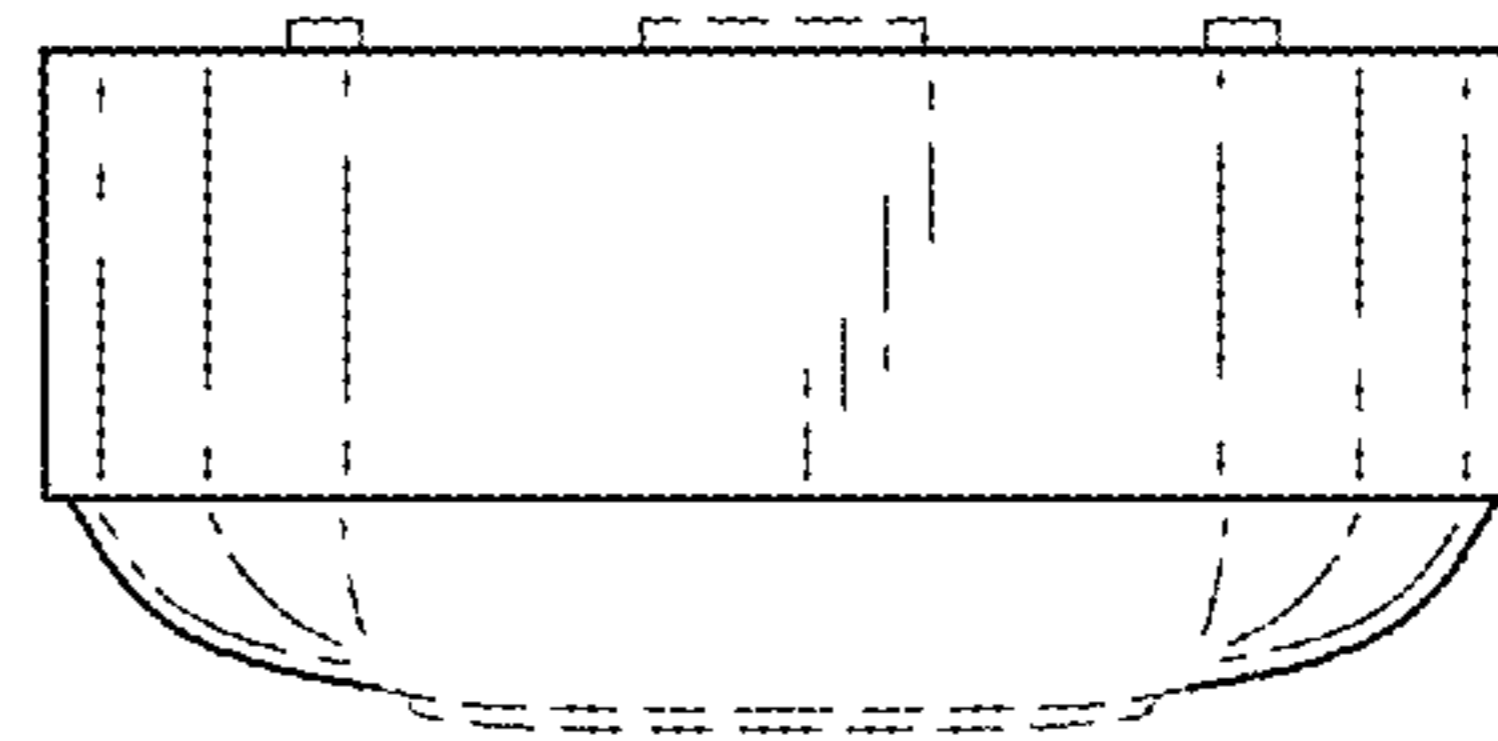


FIG. 14

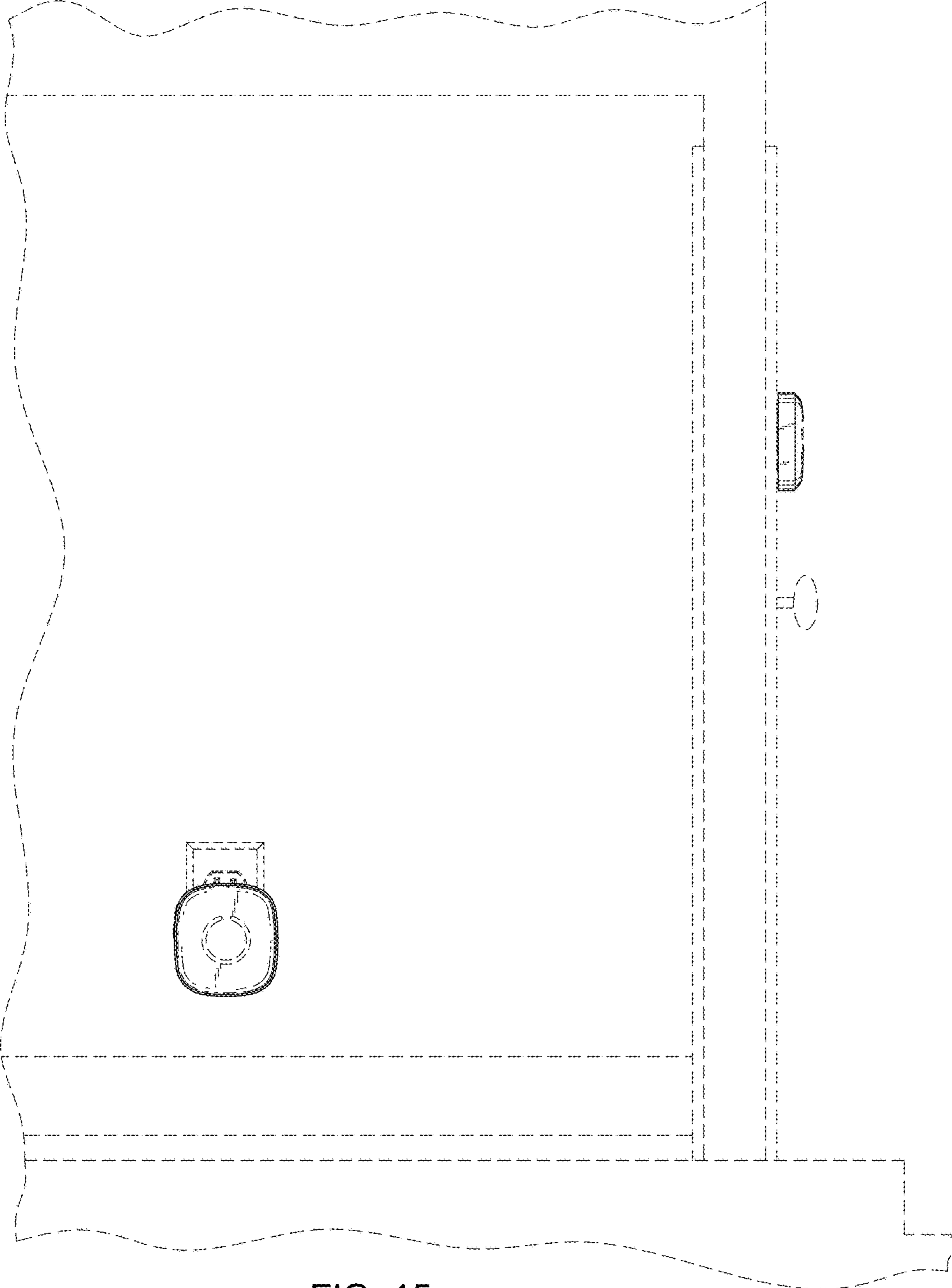


FIG. 15

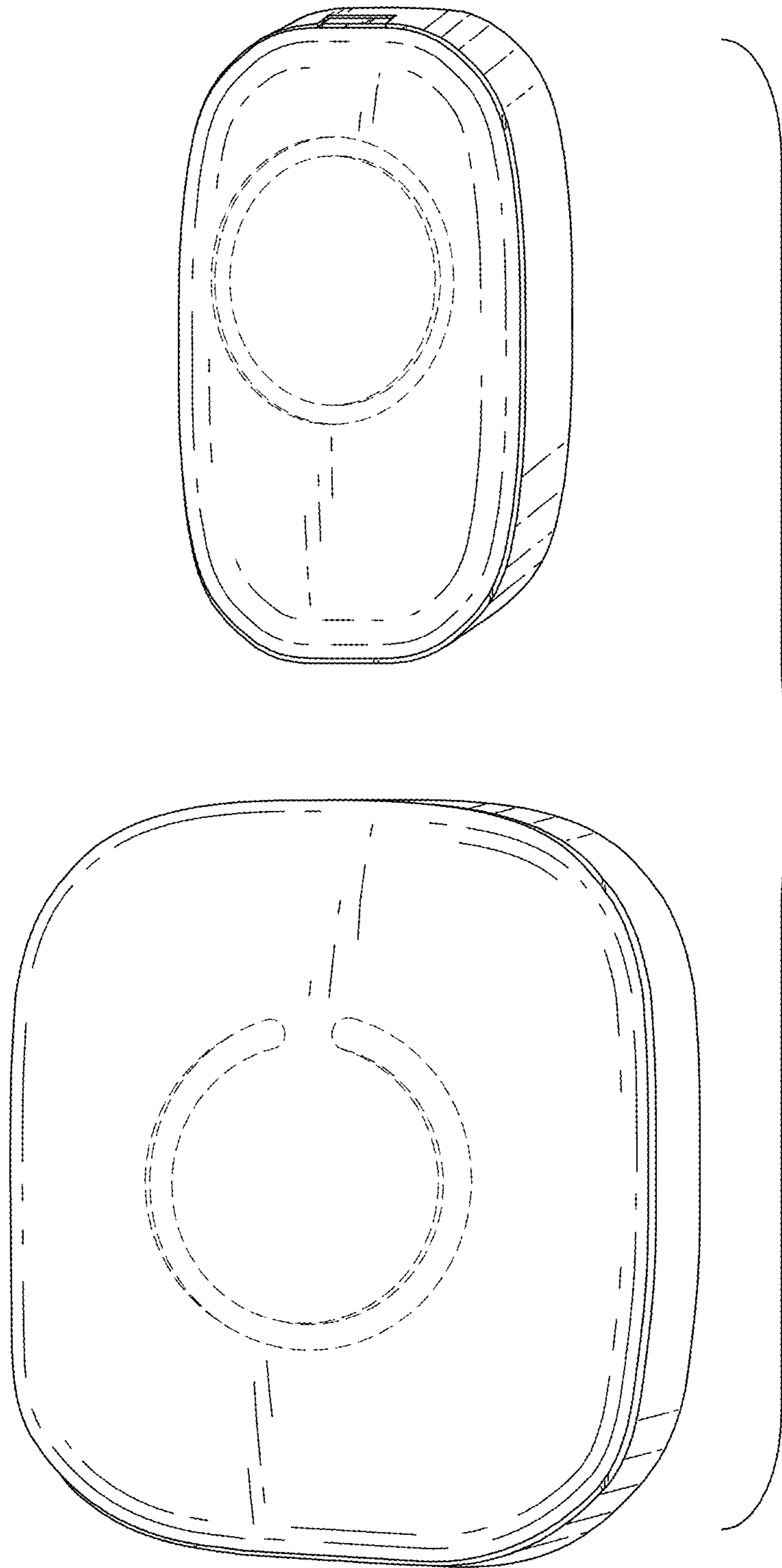


FIG. 16