



US00D800004S

(12) **United States Design Patent** (10) **Patent No.:** **US D800,004 S**
Sugiyama (45) **Date of Patent:** **** Oct. 17, 2017**

(54) **ADAPTERS FOR FLOW MEASURING UNIT**

(56) **References Cited**

(71) Applicant: **Panasonic Intellectual Property Management Co., Ltd.**, Osaka-shi, Osaka (JP)

U.S. PATENT DOCUMENTS

D609,591 S * 2/2010 Oshima D10/96
D717,184 S * 11/2014 Yogo D10/53

(72) Inventor: **Masaki Sugiyama**, Kyoto (JP)

FOREIGN PATENT DOCUMENTS

(73) Assignee: **PANASONIC INTELLECTUAL PROPERTY MANAGEMENT CO., LTD.**, Osaka (JP)

JP 1475456 S 7/2013

* cited by examiner

(**) Term: **15 Years**

Primary Examiner — Antoine Duval Davis

(74) *Attorney, Agent, or Firm* — Brinks Gilson & Lione

(21) Appl. No.: **29/564,015**

(57) **CLAIM**

I claim the ornamental design for an adapter for flow measuring unit, as shown and described.

(22) Filed: **May 10, 2016**

DESCRIPTION

(30) **Foreign Application Priority Data**

Jan. 8, 2016 (JP) 2016-000273

Jan. 8, 2016 (JP) 2016-000274

(51) **LOC (10) Cl.** **10-04**

(52) **U.S. Cl.**
USPC **D10/96**

(58) **Field of Classification Search**
USPC D10/96, 103
CPC G01F 1/74; G01F 1/40; G01F 1/42; G01F 1/44; G01F 1/46; G01F 11/003; G01F 11/006; G01N 21/03; G01N 21/05; G01N 2021/0378; G01N 2021/0382; G01N 2021/052; G01N 2021/054; G01N 2021/056; G01N 2021/058

FIG. 1 is a front and top perspective view of a first embodiment of an adapter for flow measuring unit of the present invention;

FIG. 2 is a rear and top perspective view thereof;

FIG. 3 is a front view thereof;

FIG. 4 is a rear view thereof;

FIG. 5 is a first side view thereof;

FIG. 6 is a second side view thereof;

FIG. 7 is a top view thereof; and,

FIG. 8 is a bottom view thereof.

The broken lines shown represent unclaimed subject matter and form no part of the claimed design. Additionally, the unevenly broken lines in the drawings define the limits of the claimed design.

See application file for complete search history.

1 Claim, 8 Drawing Sheets

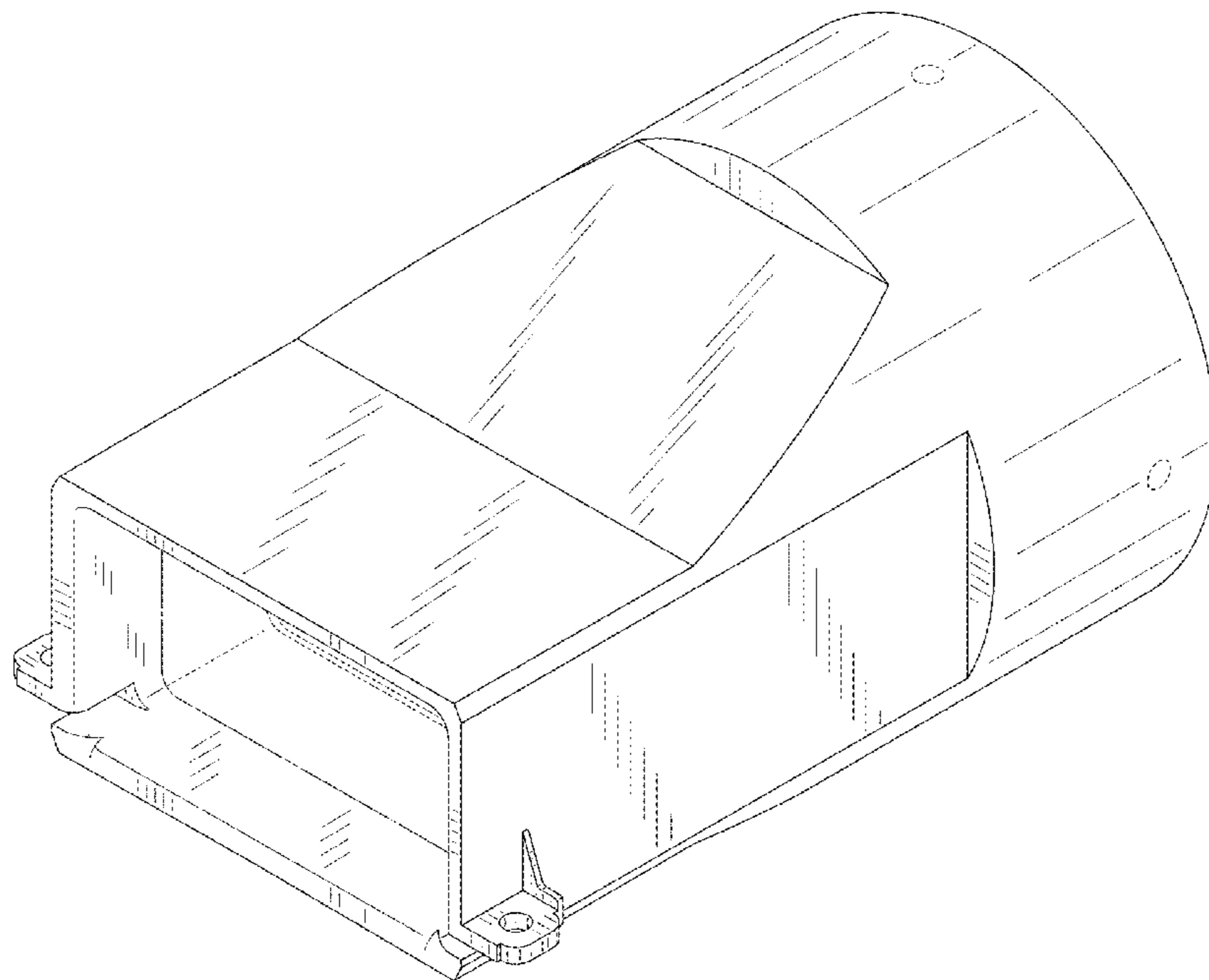


FIG. 1

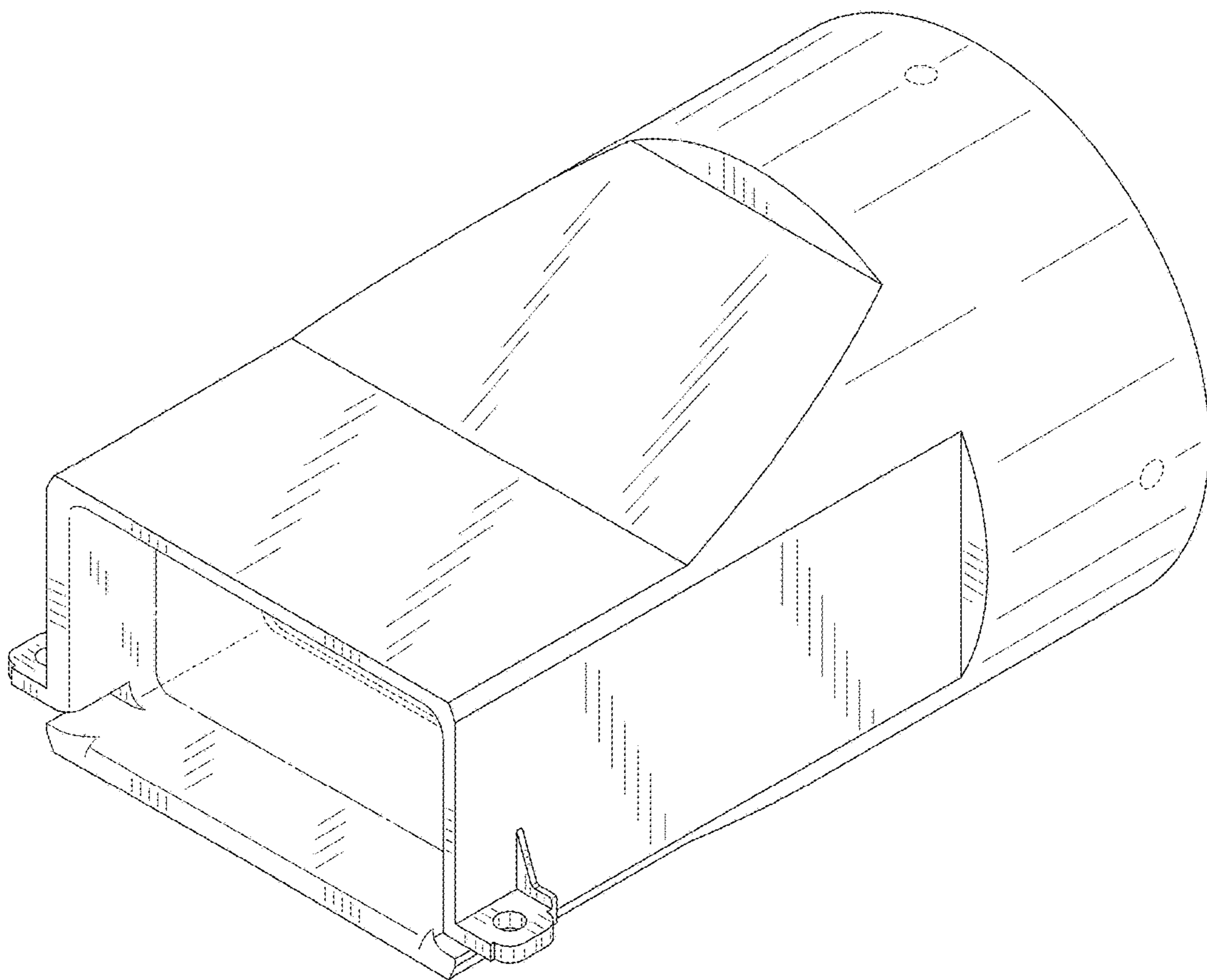


FIG. 2

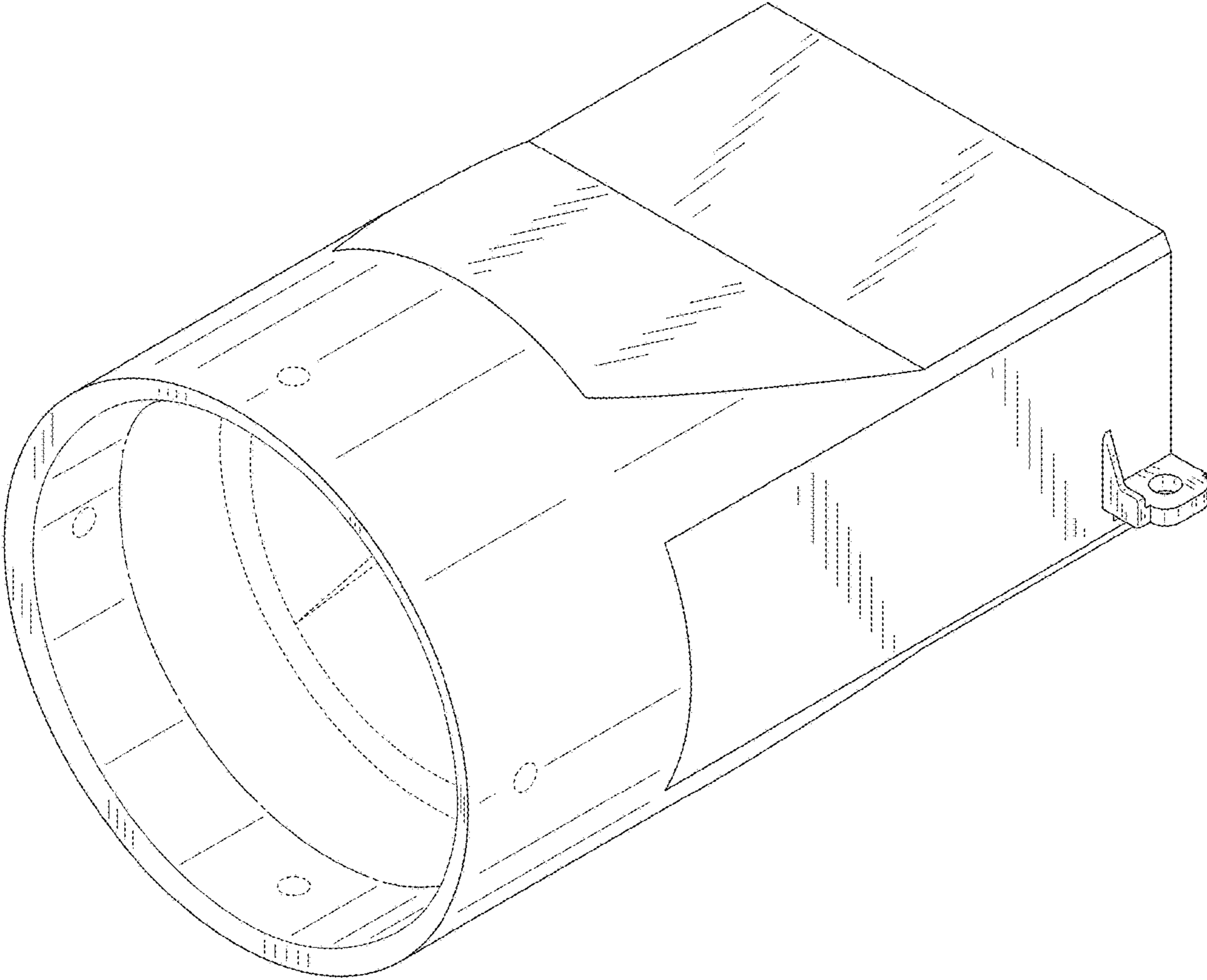


FIG. 3

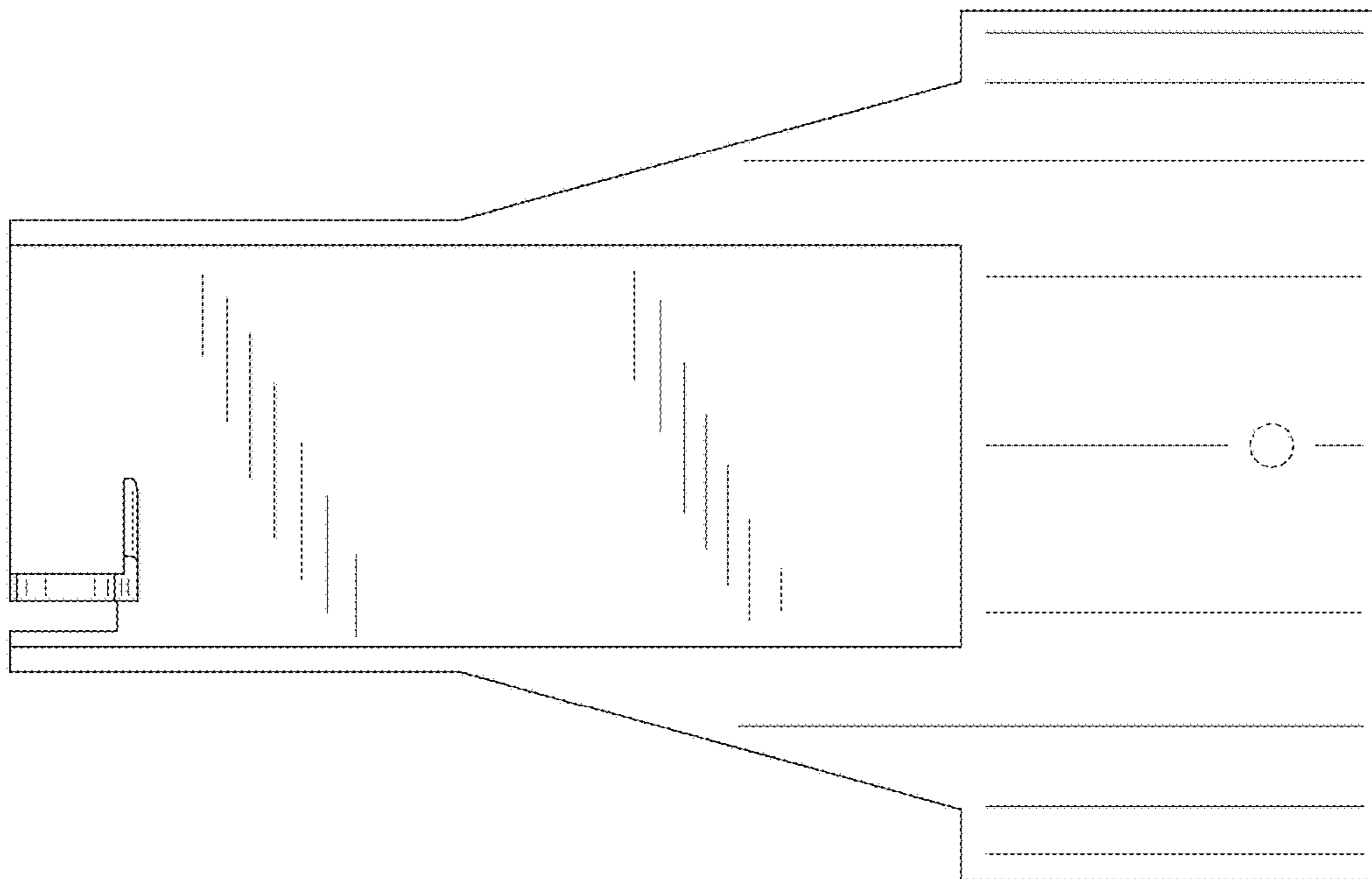


FIG. 4

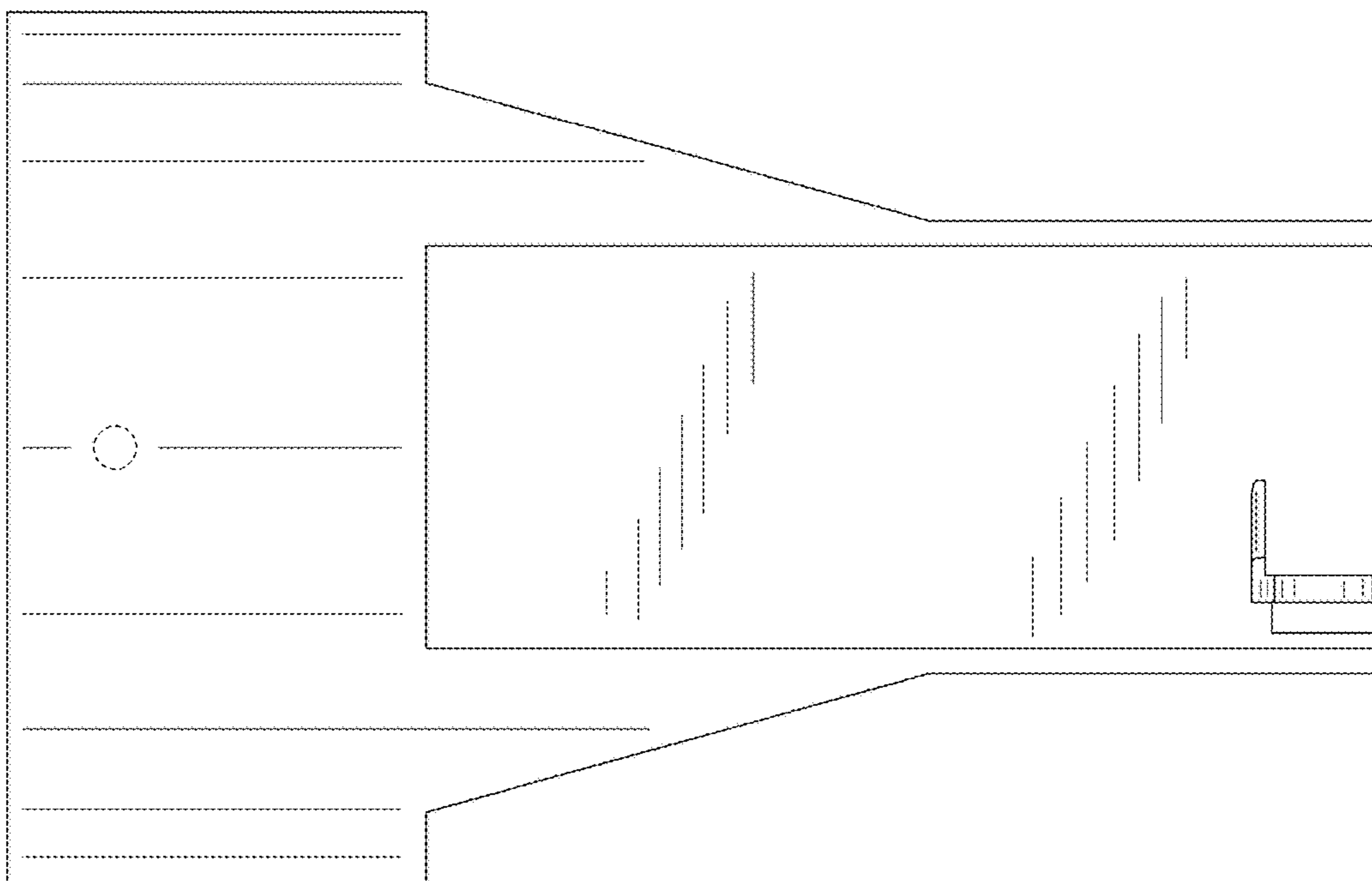


FIG. 5

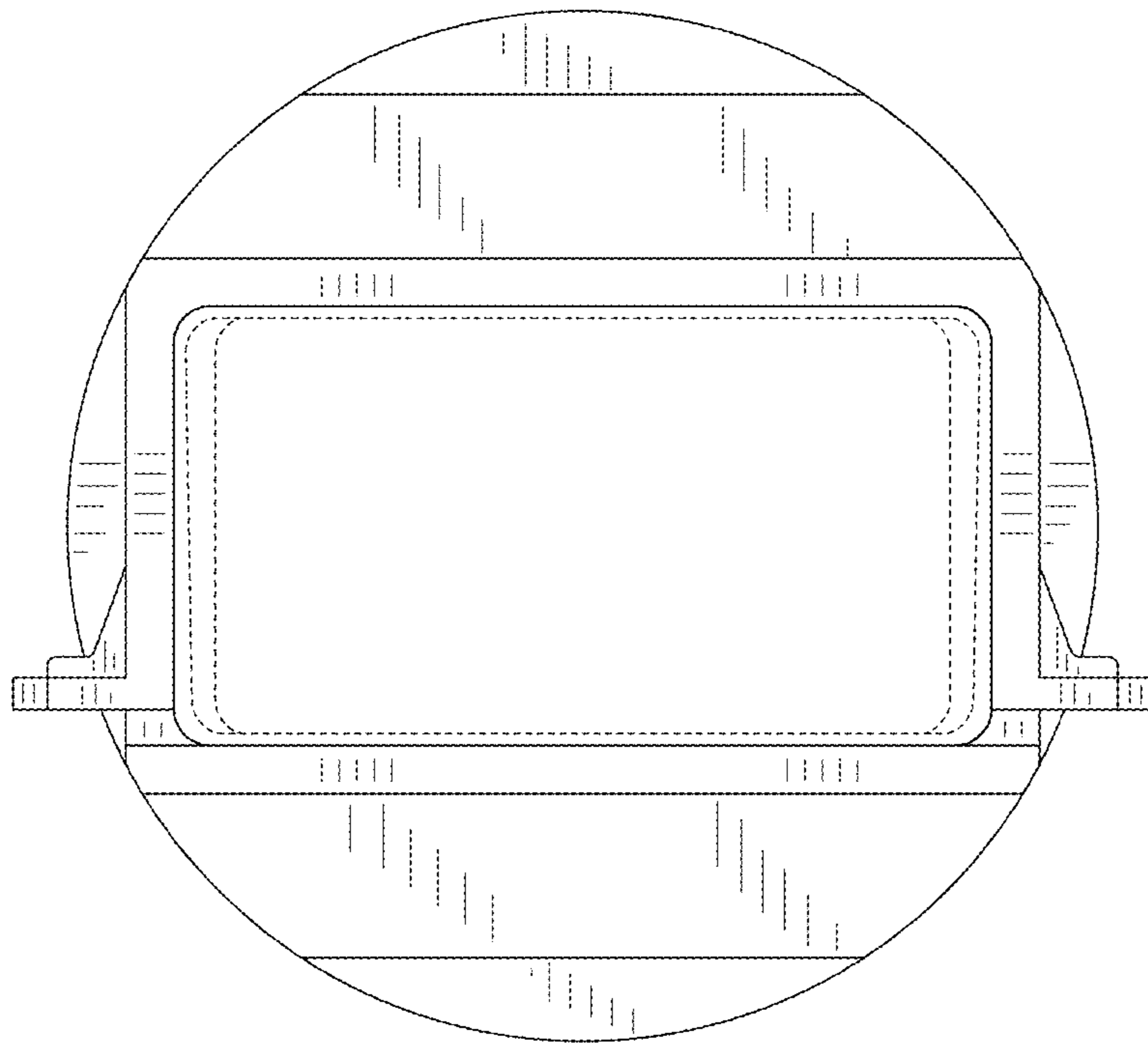


FIG. 6

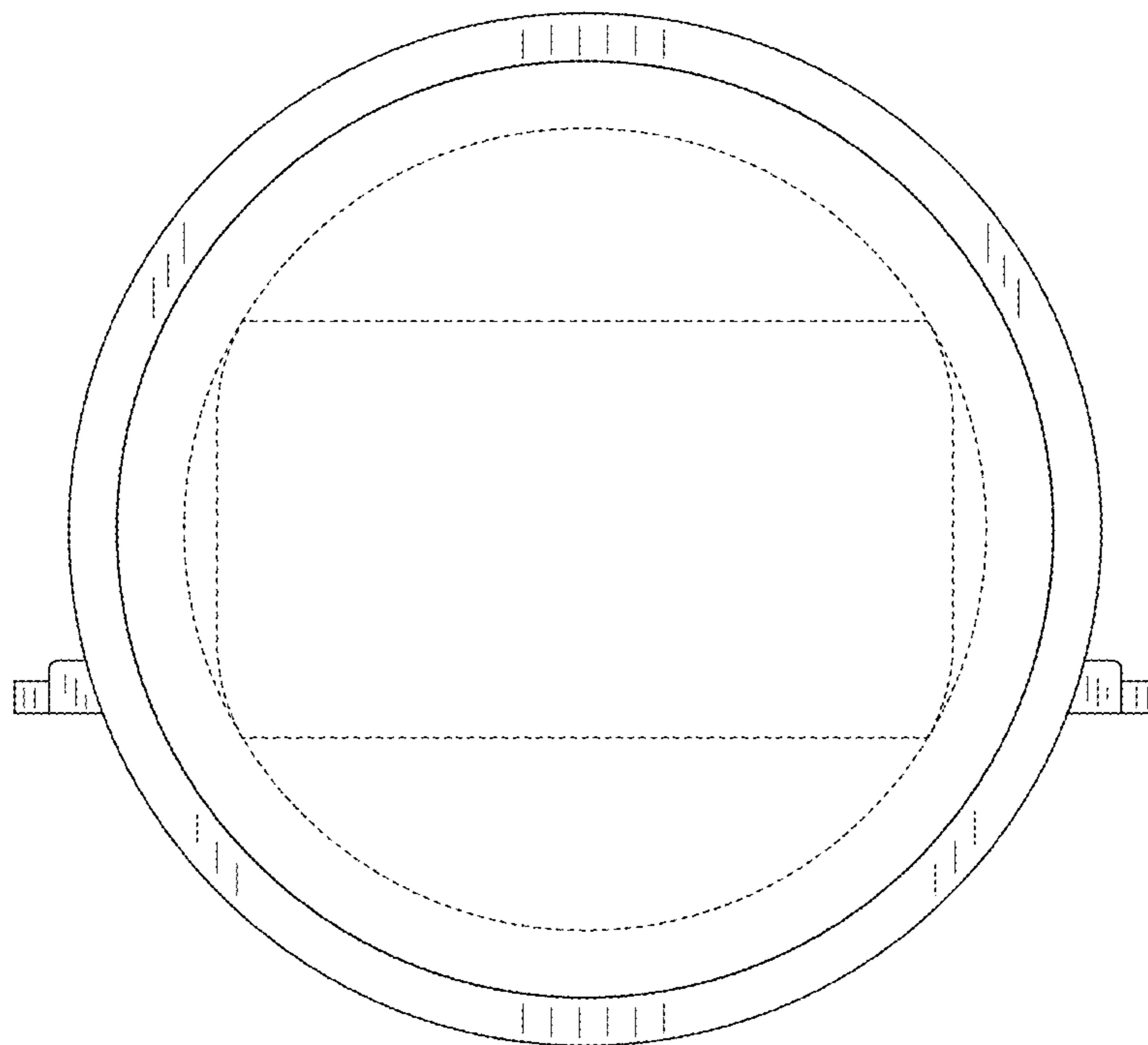


FIG. 7

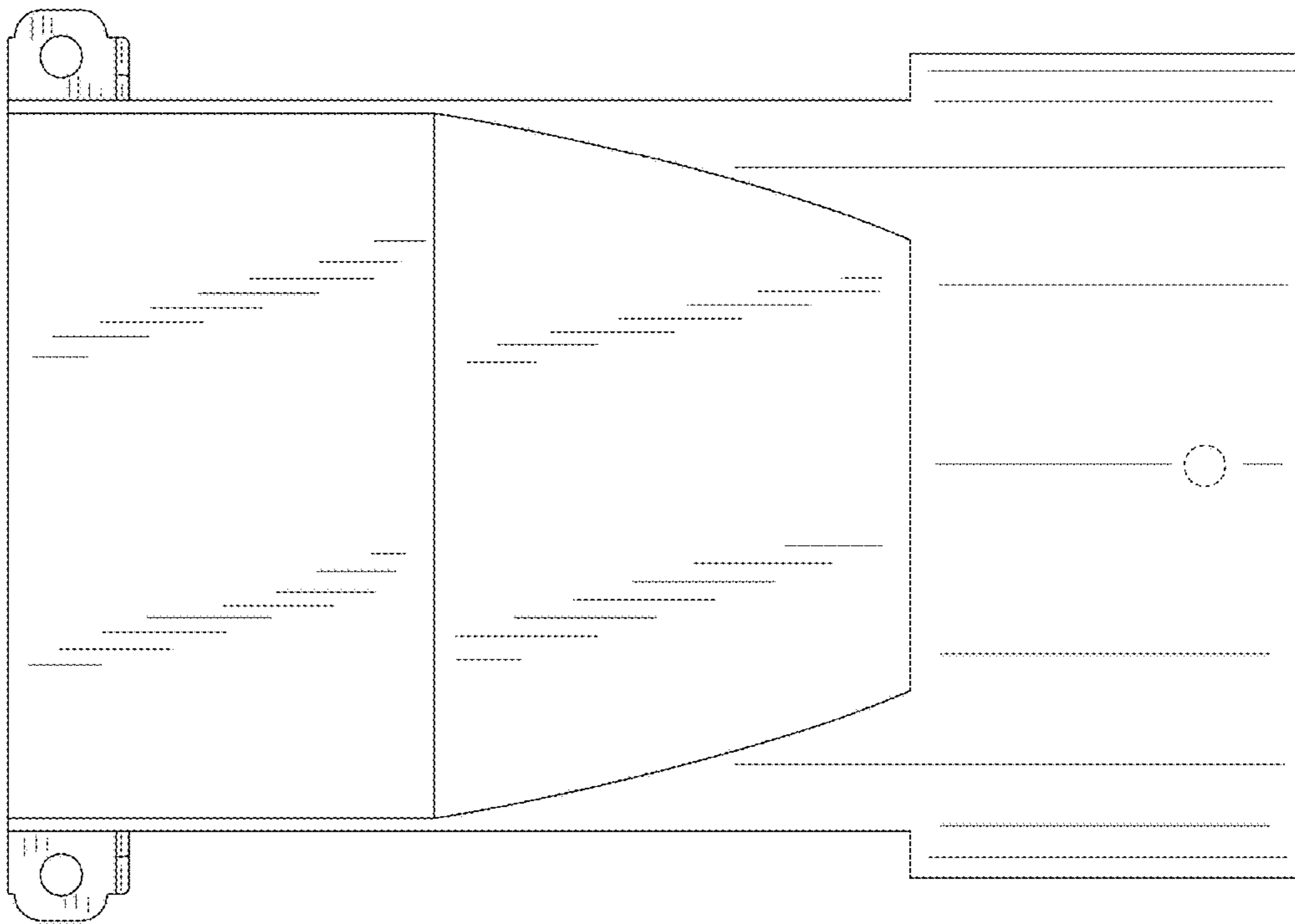


FIG. 8

