



US00D800003S

(12) **United States Design Patent** (10) **Patent No.:** **US D800,003 S**
Katsumoto et al. (45) **Date of Patent:** **** Oct. 17, 2017**

(54) **CONTAINER FOR MEASURING ELECTRICAL CHARACTERISTICS**

(71) Applicant: **Sony Corporation**, Tokyo (JP)

(72) Inventors: **Yoichi Katsumoto**, Tokyo (JP);
Daisuke Terakado, Saitama (JP)

(73) Assignee: **SONY CORPORATION**, Tokyo (JP)

(**) Term: **15 Years**

(21) Appl. No.: **29/577,642**

(22) Filed: **Sep. 14, 2016**

Related U.S. Application Data

(63) Continuation of application No. 29/520,585, filed on Mar. 16, 2015, now Pat. No. Des. 770,315.

(51) **LOC (10) Cl.** **10-04**

(52) **U.S. Cl.**
USPC **D10/81; D24/224**

(58) **Field of Classification Search**
USPC D10/81; D24/224
CPC B01L 2300/0832; B01L 2300/0835; B01L 2300/0838; B01L 2300/0841; B01L 2300/0845; B01L 3/5021; B01L 2300/0809; B01L 2300/0819; B01L 2300/0825; G01N 21/03; G01N 21/031; G01N 21/0317; G01N 21/0332; G01N 21/05

See application file for complete search history.

(56) **References Cited**

U.S. PATENT DOCUMENTS

8,920,747 B2 * 12/2014 Matsuura G01N 27/3272
422/412

D724,892 S 3/2015 Gonzalez-Quiros

D732,684 S 6/2015 Ooi et al.

D739,953 S 9/2015 Curry et al.

* cited by examiner

Primary Examiner — Antoine D Davis

(74) *Attorney, Agent, or Firm* — Michael Best and Friedrich LLP

(57) **CLAIM**

The ornamental design for a container for measuring electrical characteristics, as shown and described.

DESCRIPTION

FIG. 1 is a perspective view of a first embodiment of a container for measuring electrical characteristics showing our new design wherein the container is transparent;

FIG. 2 is a left side elevational view thereof;

FIG. 3 is a perspective view of a second embodiment of a container for measuring electrical characteristics showing our new design;

FIG. 4 is a front elevational view thereof; and,

FIG. 5 is a cross sectional view thereof cut along the line 5-5 of FIGS. 1 and 3.

Broken lines illustrate unclaimed portions of the container for measuring electrical characteristics and form no part of the claimed design. Dot-dash broken lines illustrating boundaries of the claimed design form no part of the claimed design.

1 Claim, 5 Drawing Sheets

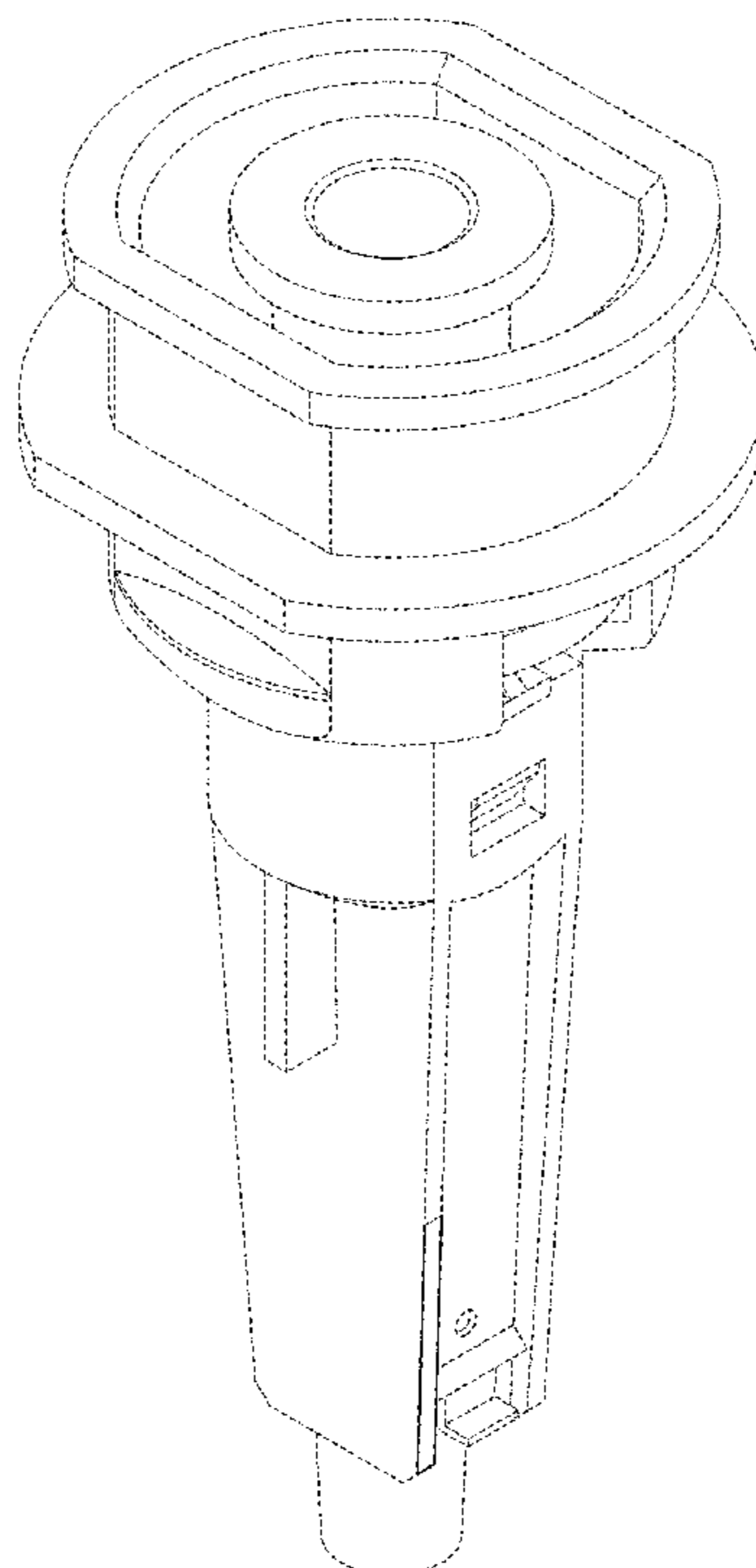


FIG.1

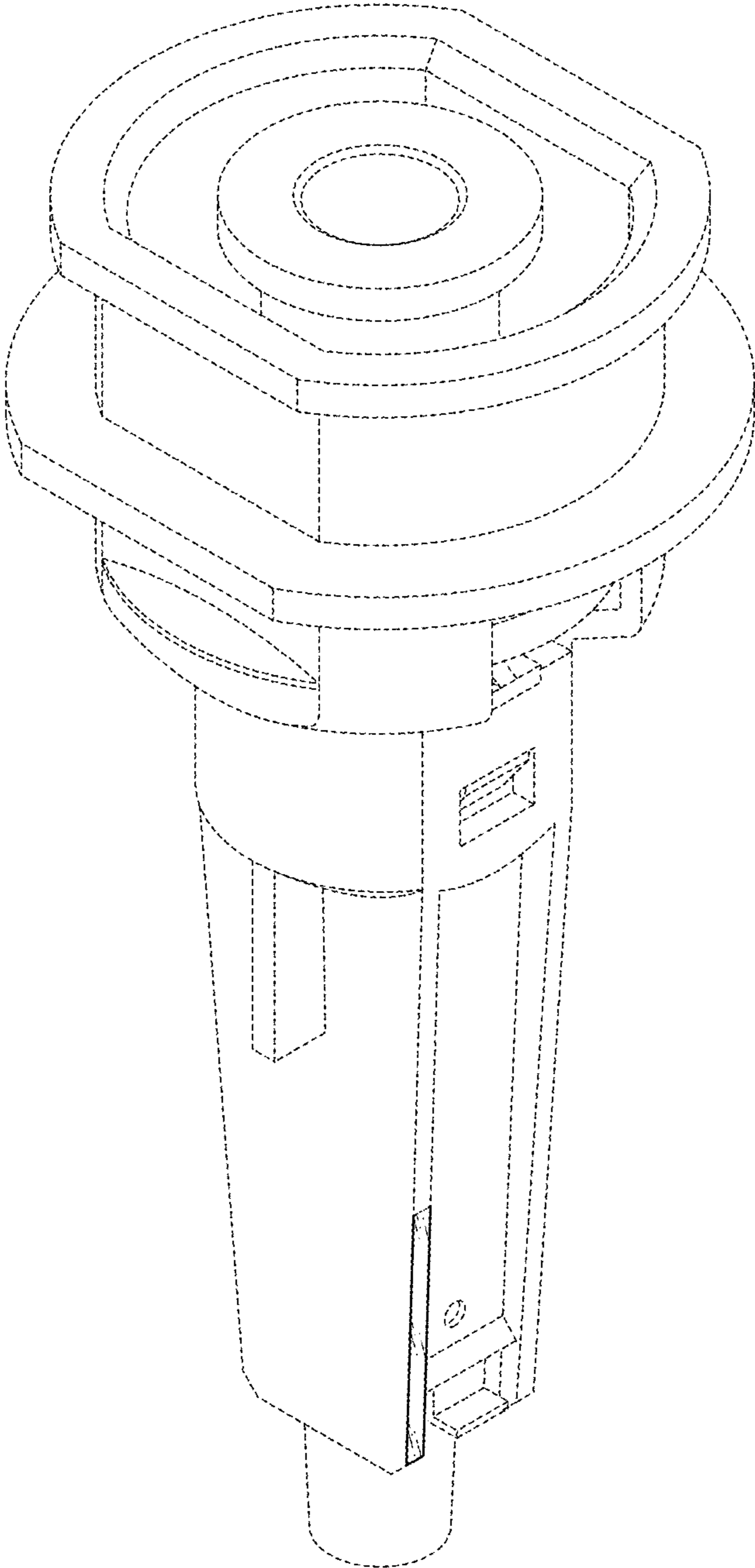


FIG.2

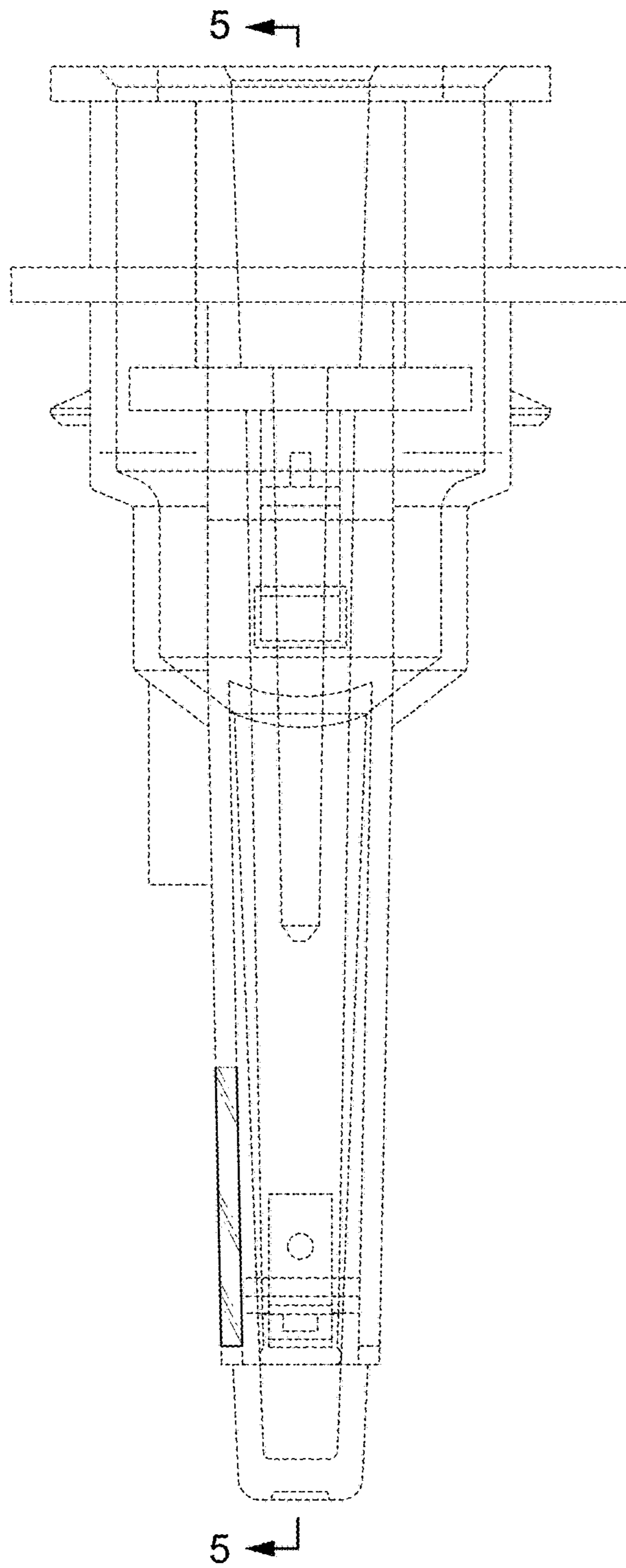


FIG.3

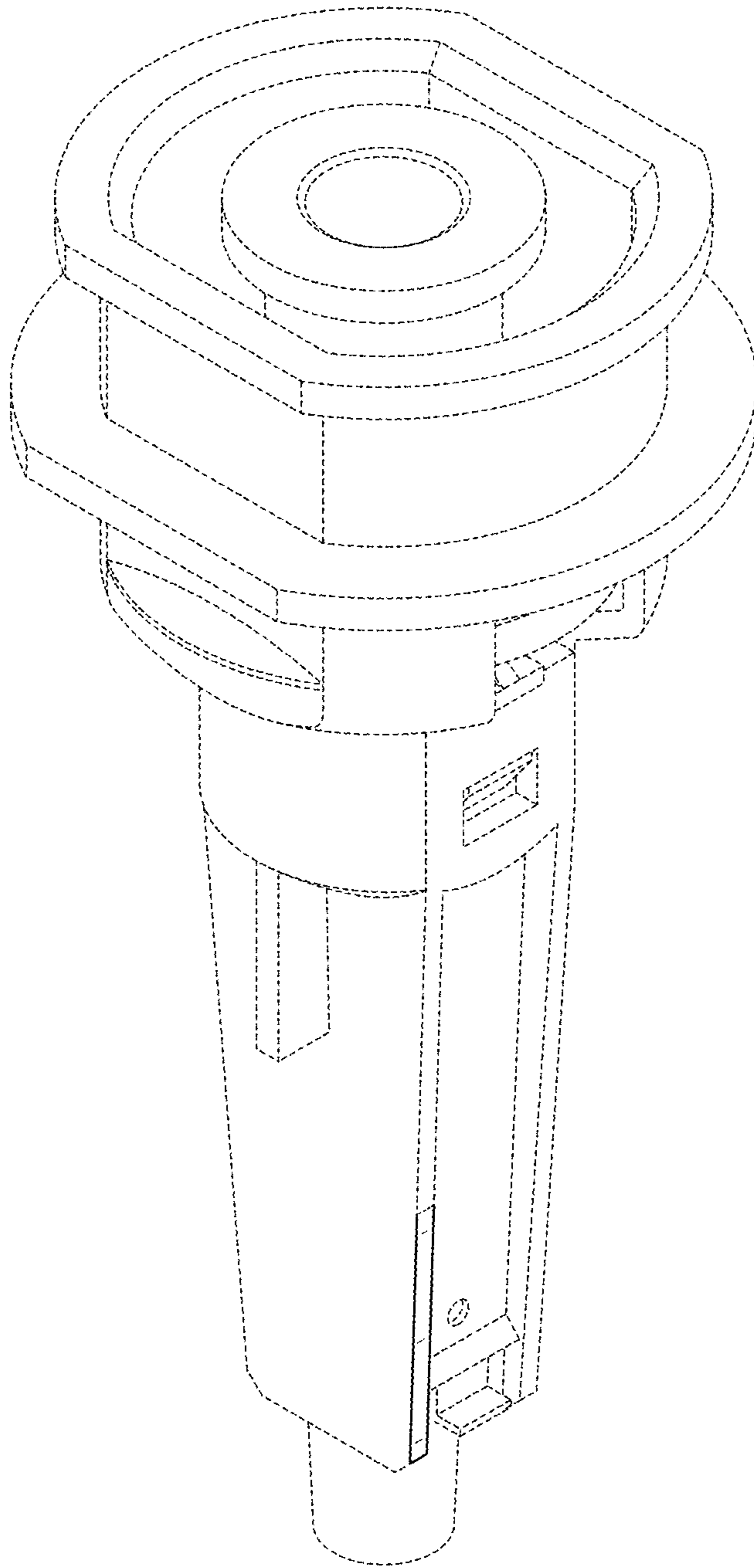


FIG.4

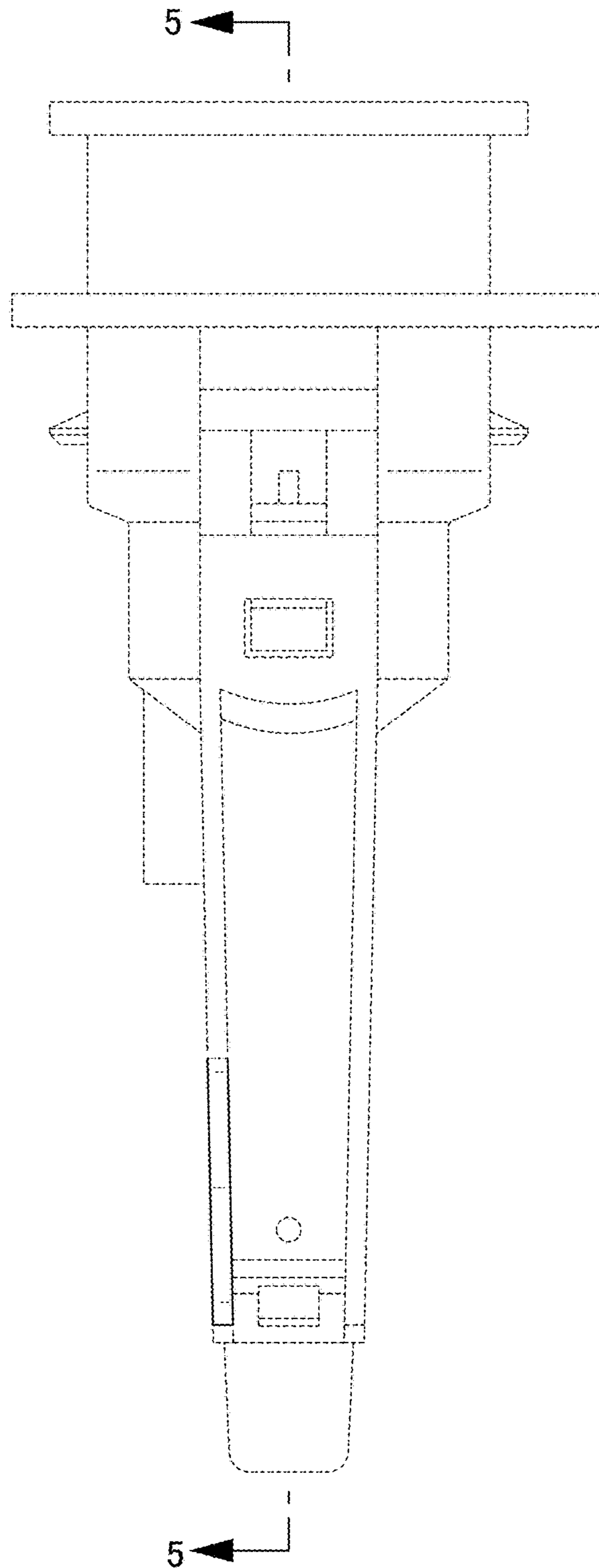


FIG.5

