



US00D800002S

(12) **United States Design Patent**
Yang et al.

(10) **Patent No.:** **US D800,002 S**

(45) **Date of Patent:** **** Oct. 17, 2017**

(54) **AIR SENSOR**

(71) Applicant: **Honeywell International Inc.**, Morris Plains, NJ (US)

(72) Inventors: **Dezhi Yang**, Shanghai (CN); **Neil Chen**, Shanghai (CN); **Cui Du**, Shanghai (CN)

(73) Assignee: **Honeywell International Inc.**, Morris Plains, NJ (US)

(**) Term: **15 Years**

(21) Appl. No.: **29/575,539**

(22) Filed: **Aug. 25, 2016**

(51) **LOC (10) Cl.** **10-04**

(52) **U.S. Cl.**
USPC **D10/81**

(58) **Field of Classification Search**
USPC D10/46, 81
CPC G01N 1/2273; G01N 2001/2276; G01N 2001/2279; G01N 7/00; G01N 7/02; G01N 7/04; G01N 7/06; G01N 7/08; G01N 7/10; G01N 7/12; G01N 7/14; G01N 7/16; G01N 7/18; G01N 7/20; G01N 7/22; G01N 33/009-33/0075; H04B 17/23

See application file for complete search history.

(56) **References Cited**

U.S. PATENT DOCUMENTS

D627,670 S * 11/2010 Gonzales D10/106.5
D627,671 S * 11/2010 Gonzales D10/106.5

D693,254 S * 11/2013 Liu D10/81
D704,581 S * 5/2014 Ho D10/78
D724,462 S * 3/2015 Bould D10/106.2
D730,754 S * 6/2015 Bould D10/106.6
D756,248 S * 5/2016 Rosenberg D10/52
D766,749 S * 9/2016 Fadell D10/106.3
D766,750 S * 9/2016 Fadell D10/106.3

* cited by examiner

Primary Examiner — Antoine D Davis

(74) *Attorney, Agent, or Firm* — Conley Rose, P.C.;
Kristin Jordan Harkins

(57) **CLAIM**

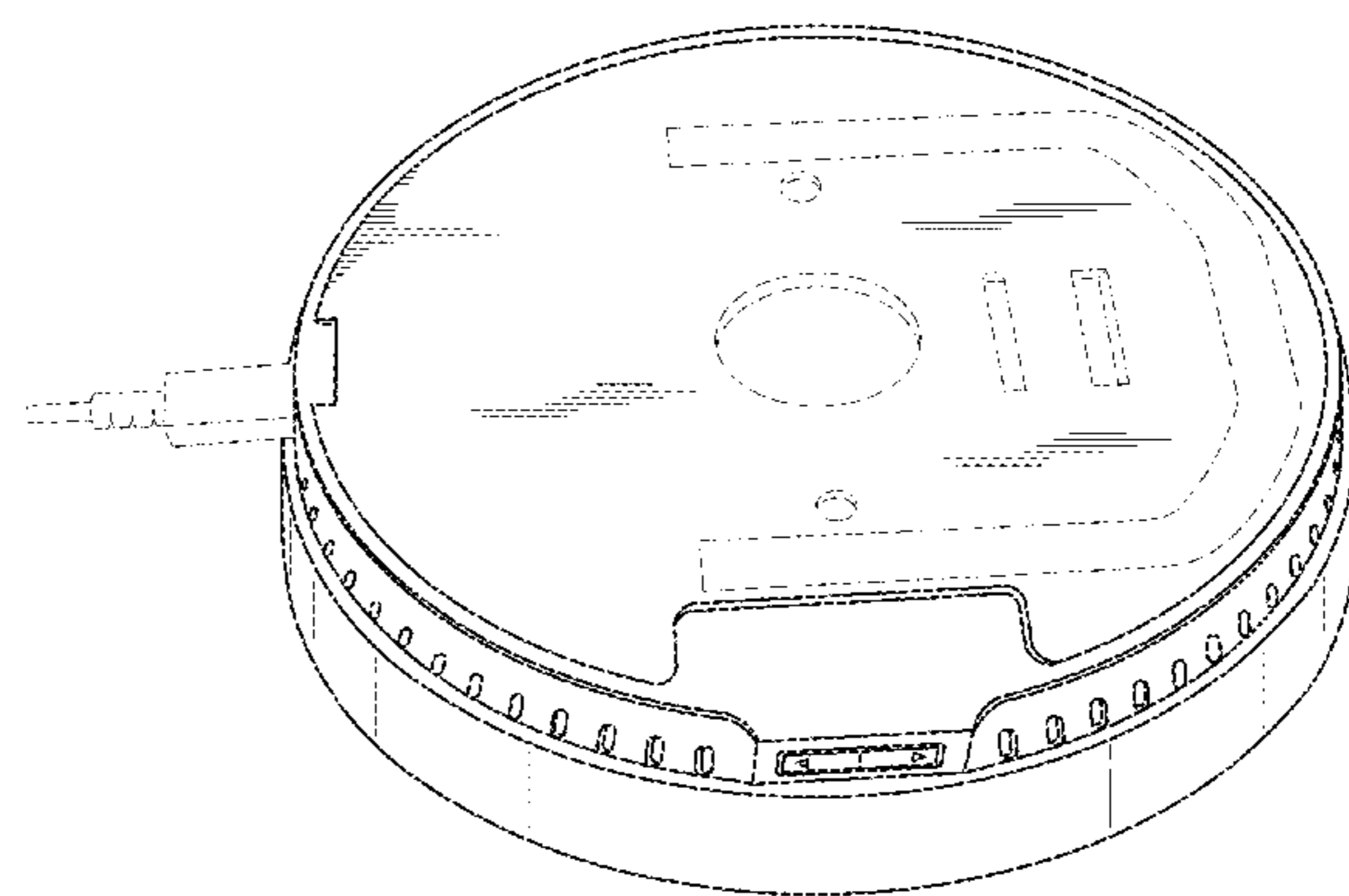
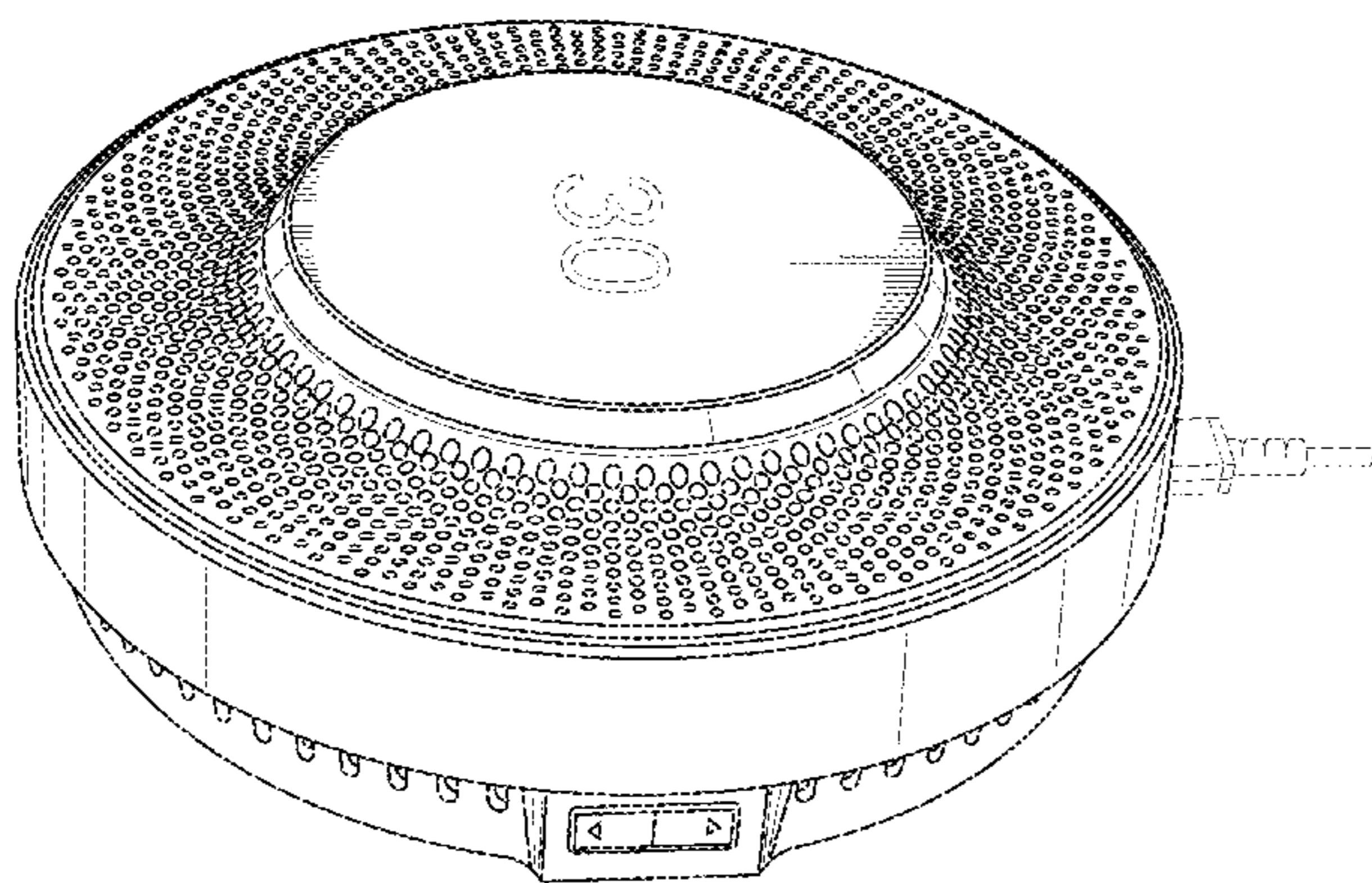
The ornamental design for air sensor, as shown and described.

DESCRIPTION

FIG. 1 is a front perspective view of an air sensor in accordance with the new design.
FIG. 2 is rear perspective view thereof.
FIG. 3 is a top elevation view thereof.
FIG. 4 is a bottom elevation view thereof.
FIG. 5 is a front elevation view thereof.
FIG. 6 is a rear elevation view thereof.
FIG. 7 is a side elevation view thereof; and,
FIG. 8 is an alternate side elevation view thereof, showing the side opposing that shown in FIG. 7.

The broken lines shown in the drawings are only provided to illustrate the environment of the design and form no part of the claimed design.

1 Claim, 6 Drawing Sheets



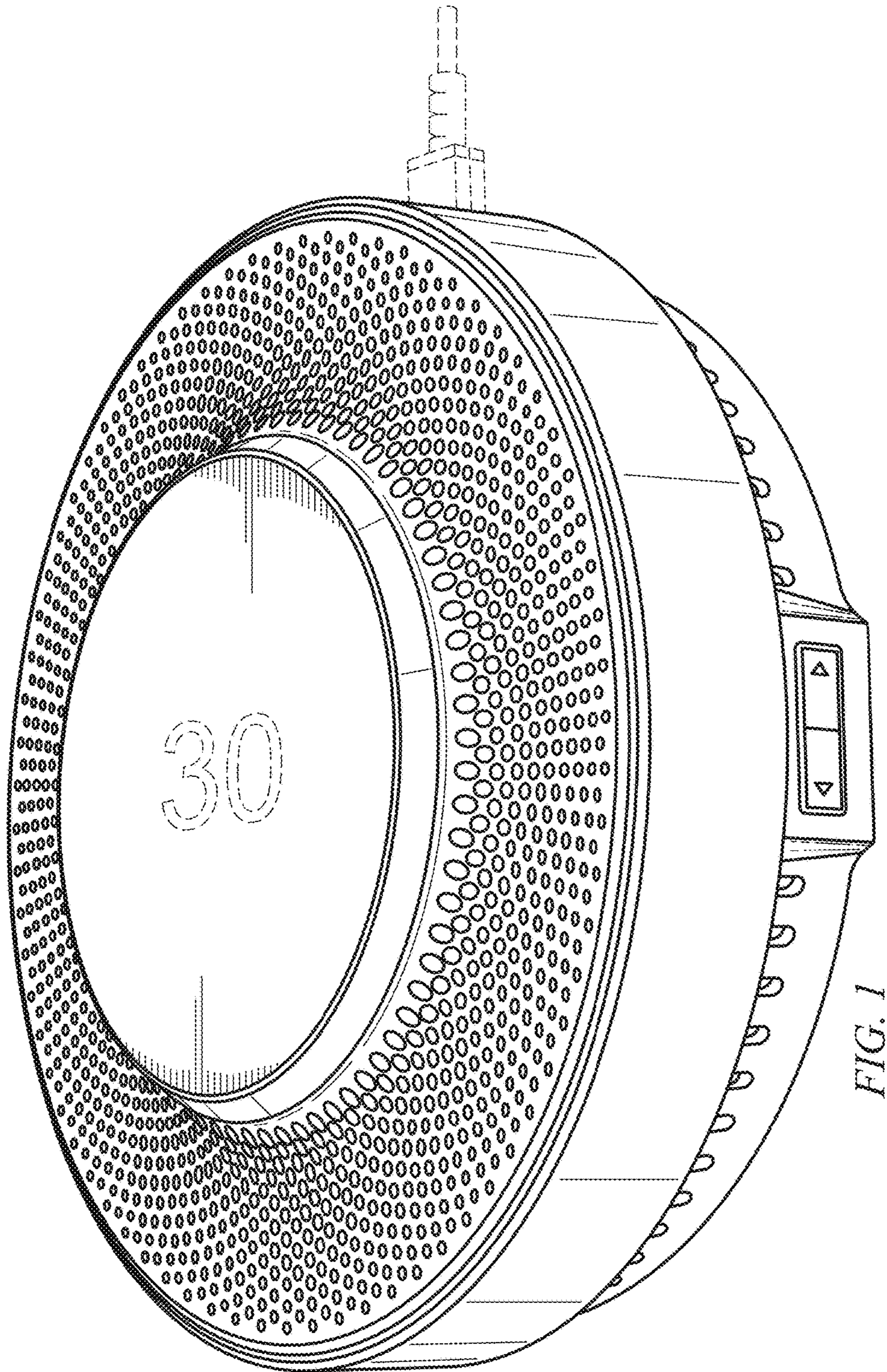


FIG. 1

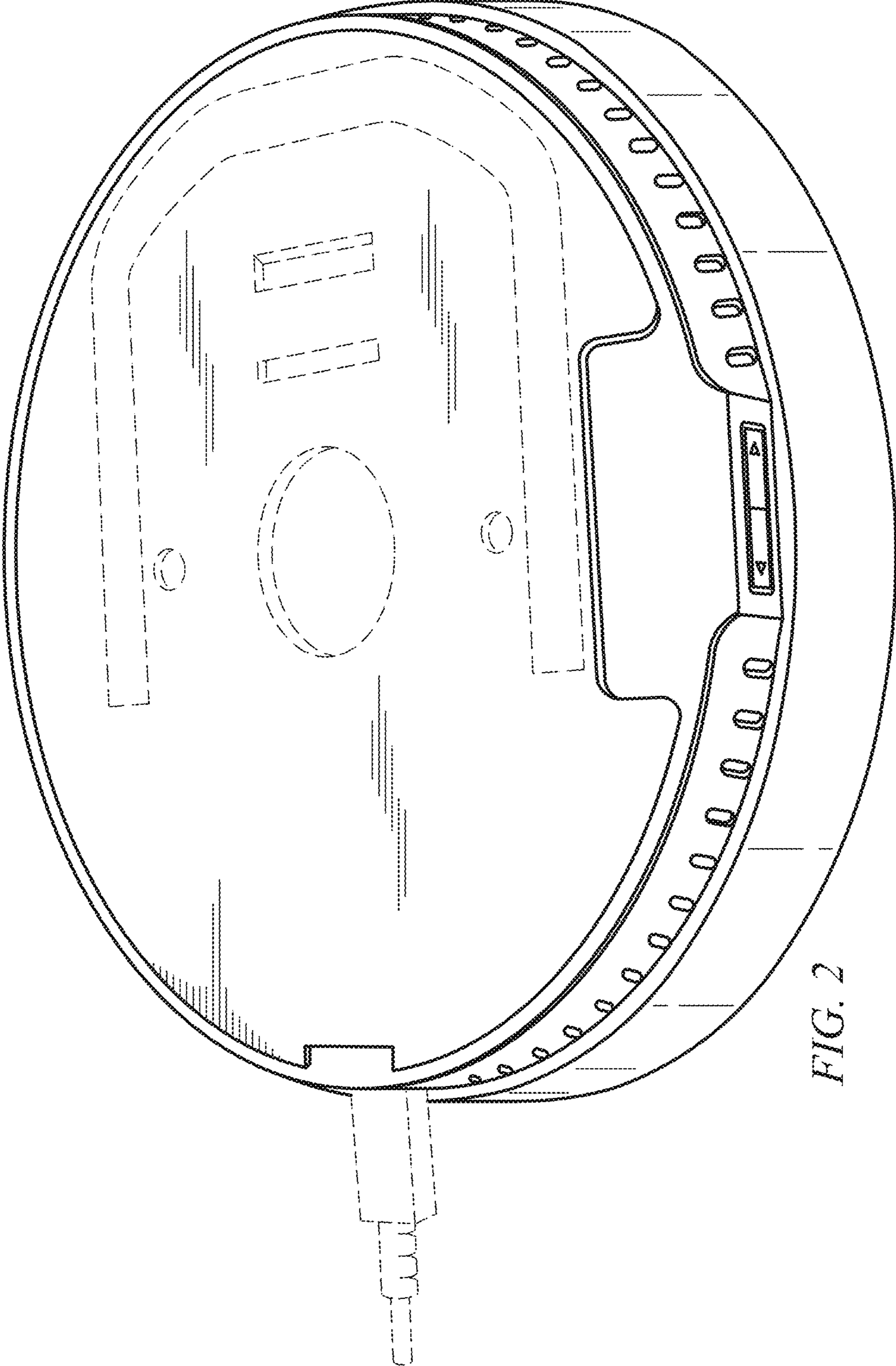


FIG. 2

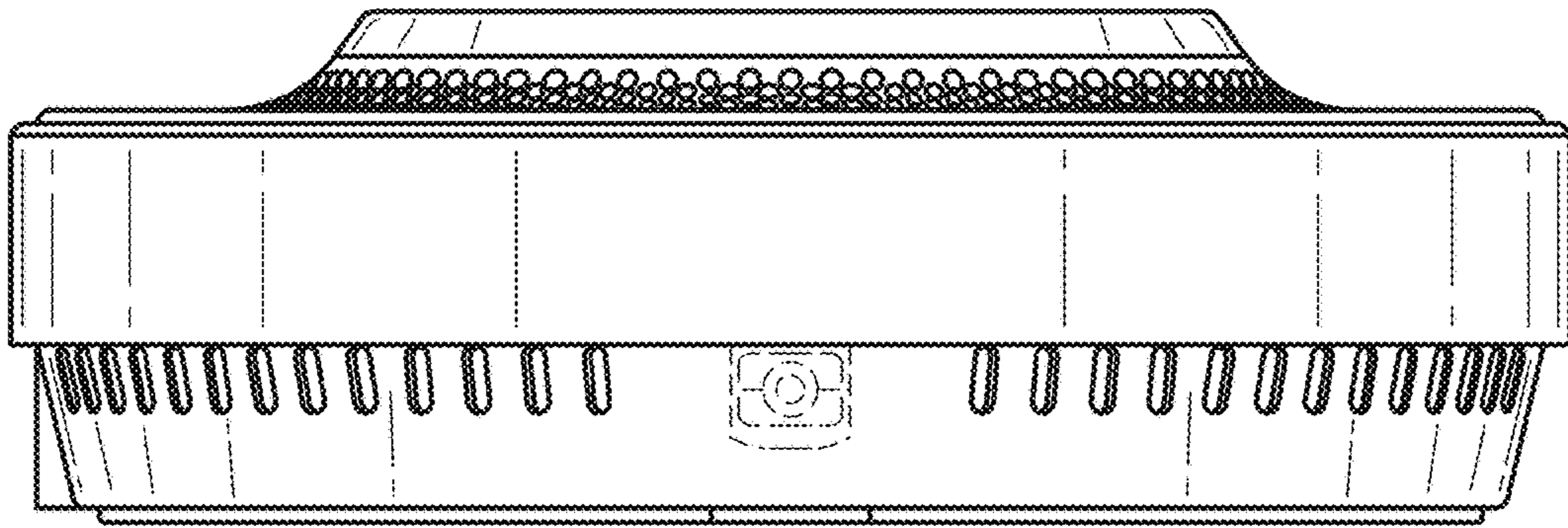


FIG. 3

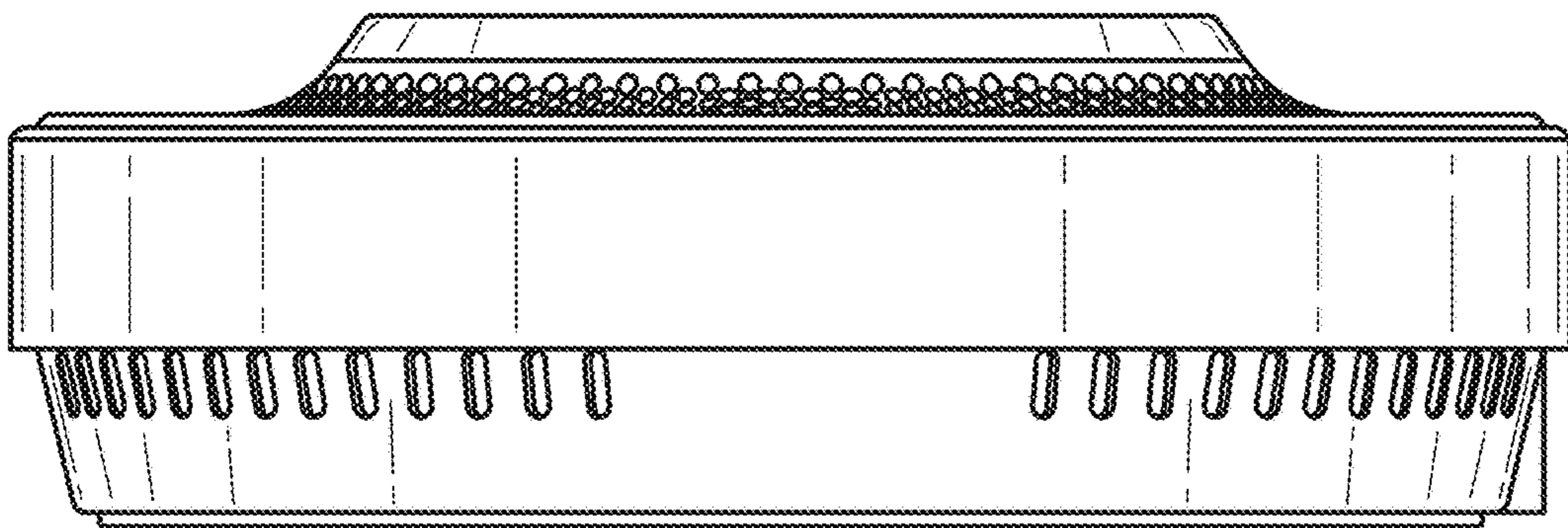


FIG. 4

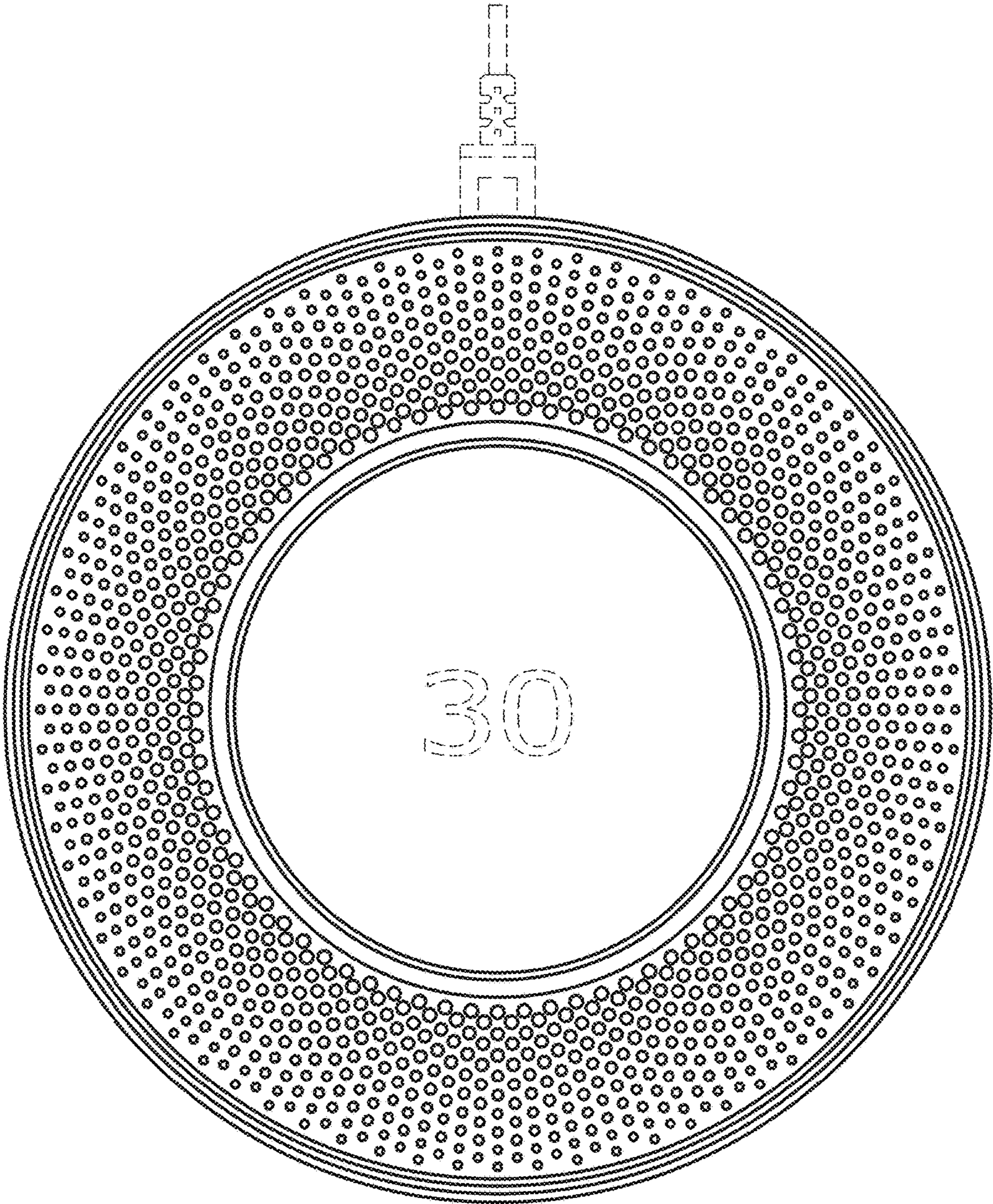


FIG. 5

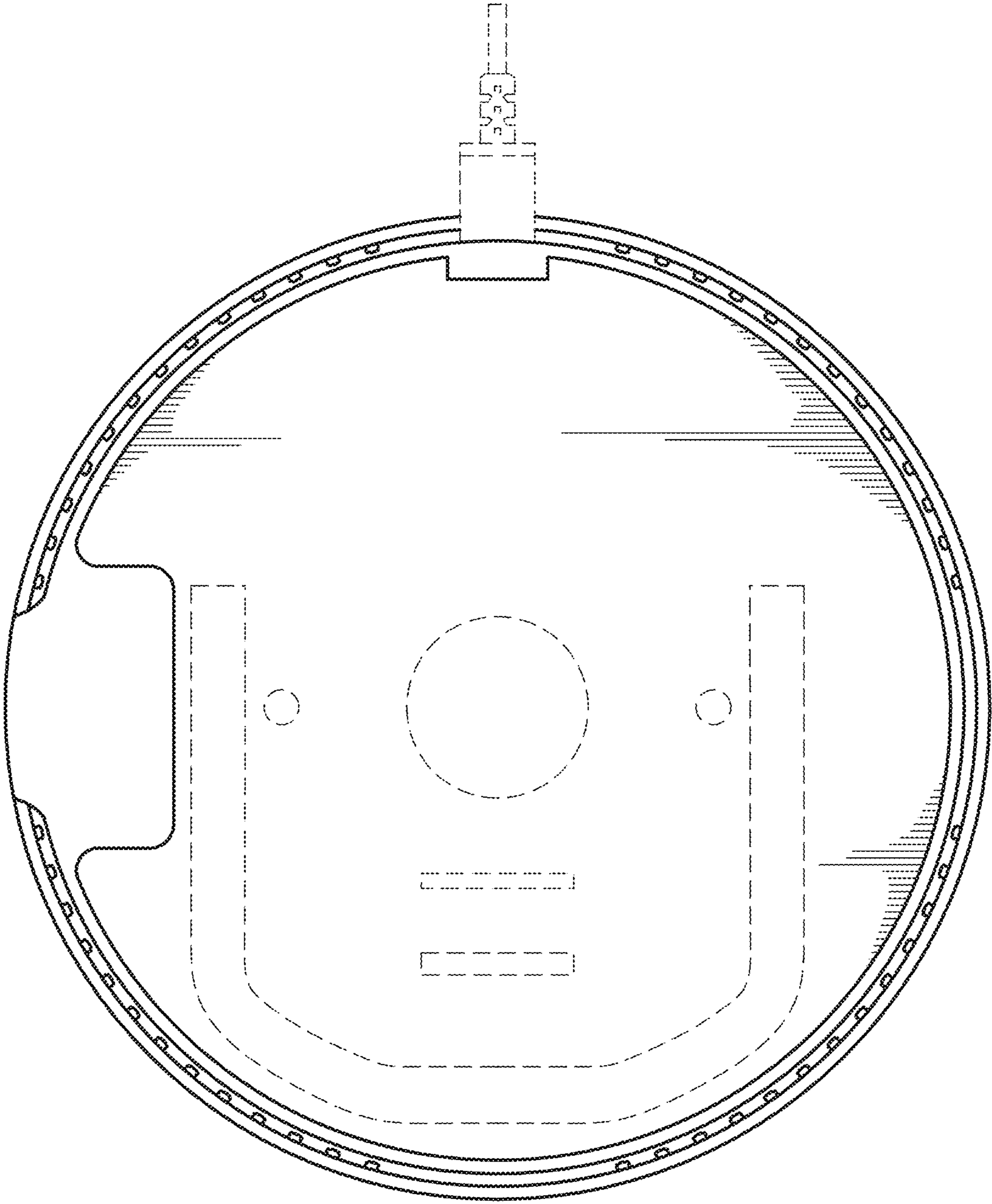


FIG. 6

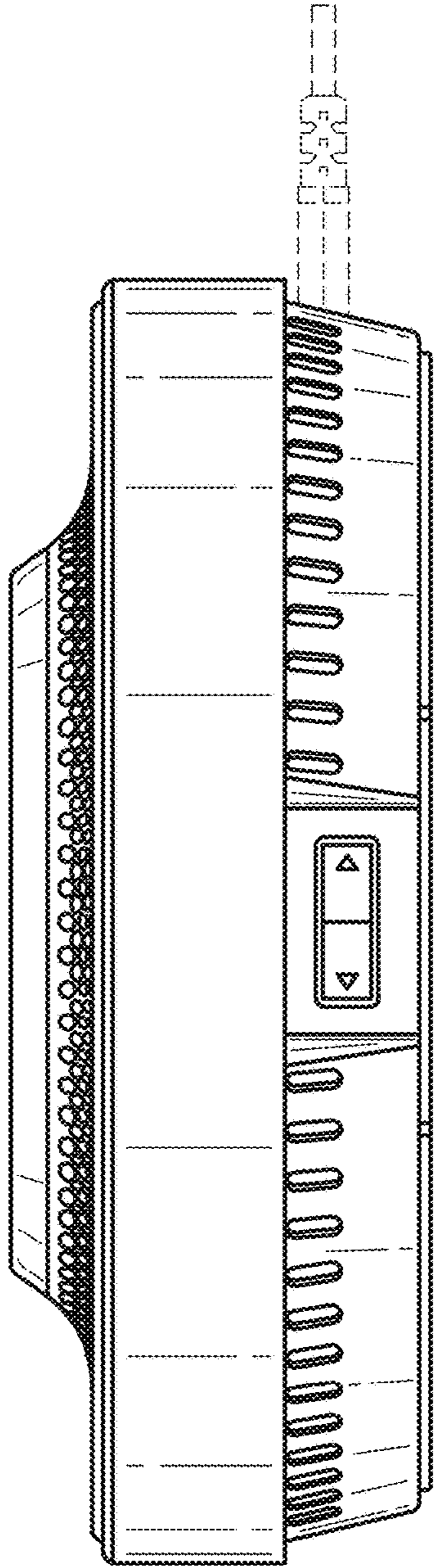


FIG. 7

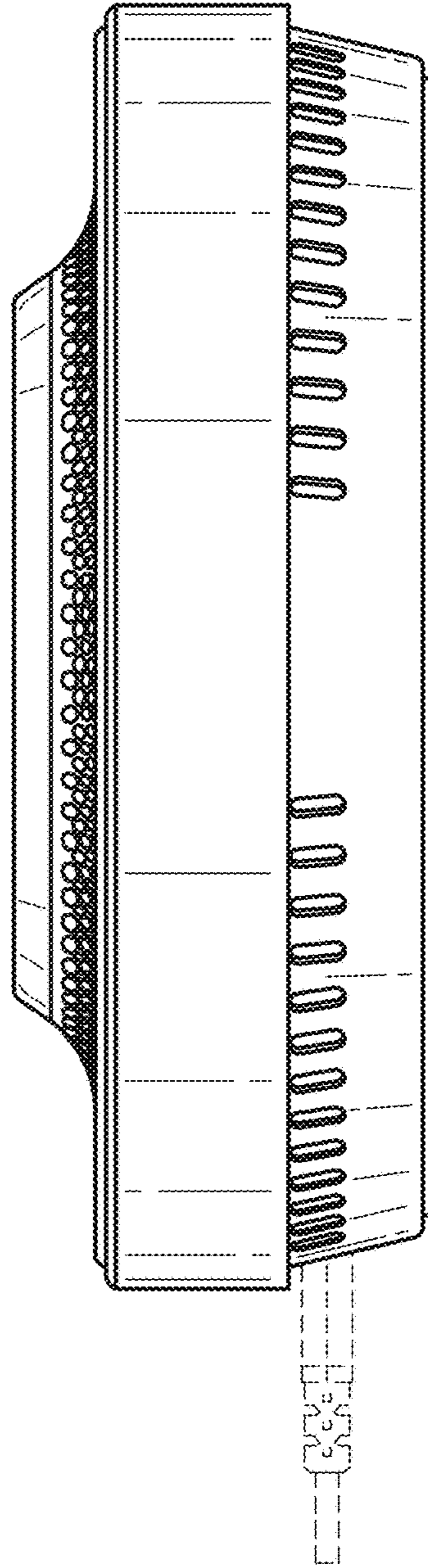


FIG. 8

UNITED STATES PATENT AND TRADEMARK OFFICE
CERTIFICATE OF CORRECTION

PATENT NO. : D800,002 S
APPLICATION NO. : 29/575539
DATED : October 17, 2017
INVENTOR(S) : Dezhi Yang, Neil Chen and Cui Du

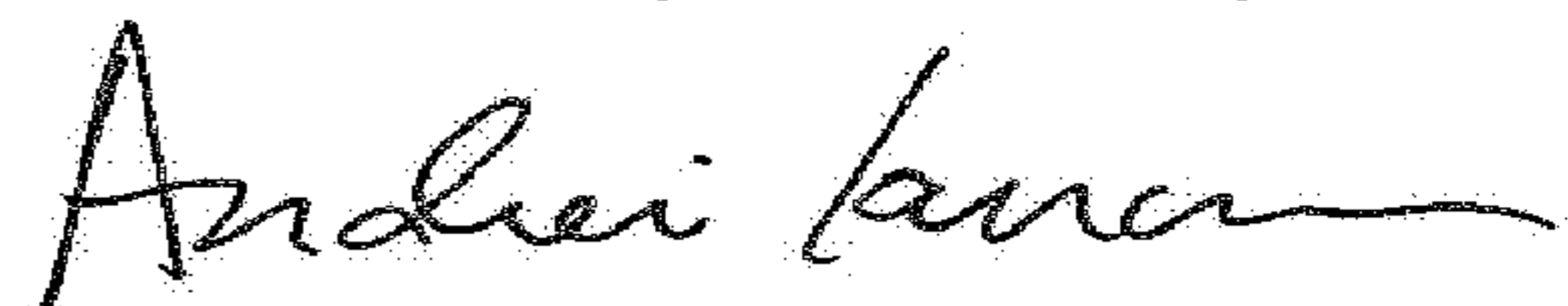
Page 1 of 1

It is certified that error appears in the above-identified patent and that said Letters Patent is hereby corrected as shown below:

On the Title Page

DESCRIPTION, Line 3: insert an --a-- after "is"

Signed and Sealed this
Twentieth Day of February, 2018



Andrei Iancu
Director of the United States Patent and Trademark Office