



US00D800001S

(12) **United States Design Patent** (10) **Patent No.:** **US D800,001 S**
Winter et al. (45) **Date of Patent:** **** Oct. 17, 2017**

(54) **WATER TEST STRIP**

(71) Applicant: **Hach Company**, Loveland, CO (US)

(72) Inventors: **Lara Winter**, Mishawaka, IN (US);
Amy Hagar, Angola, IN (US)

(**) Term: **15 Years**

(21) Appl. No.: **29/563,882**

(22) Filed: **May 9, 2016**

(51) **LOC (10) Cl.** **10-04**

(52) **U.S. Cl.**
USPC **D10/81; D24/225**

(58) **Field of Classification Search**
USPC **D10/81; D24/225**

(Continued)

(56) **References Cited**

U.S. PATENT DOCUMENTS

3,549,328 A * 12/1970 Kilburn G01N 21/78
422/420

D227,942 S * 7/1973 Kelson D10/81
(Continued)

Primary Examiner — Antoine D Davis

(74) *Attorney, Agent, or Firm* — FERENCE & ASSOCIATES,
LLC

(57) **CLAIM**

The ornamental design for a water test strip, as shown and described.

DESCRIPTION

FIG. 1 is a perspective view of a water test strip of an embodiment;

FIG. 2 is a front view thereof;

FIG. 3 is a back (or rear) view thereof;

FIG. 4 is a bottom view thereof;

FIG. 5 is a top view thereof;

FIG. 6 is a left side view thereof;

FIG. 7 is a right side view thereof;

FIG. 8 is a perspective view of a water test strip comprising another embodiment;

FIG. 9 is a front view of the water test strip of FIG. 8;

FIG. 10 is a back (or rear) view of the water test strip of FIG. 8;

FIG. 11 is a bottom view of the water test strip of FIG. 8;

FIG. 12 is a top view of the water test strip of FIG. 8;

FIG. 13 is a left side view of the water test strip of FIG. 8;

FIG. 14 is a right side view of the water test strip of FIG. 8;

FIG. 15 is a perspective view of a water test strip comprising another embodiment;

FIG. 16 is a front view of the water test strip of FIG. 15;

FIG. 17 is a back (or rear) view of the water test strip of FIG. 15;

FIG. 18 is a bottom view of the water test strip of FIG. 15;

FIG. 19 is a top view of the water test strip of FIG. 15;

FIG. 20 is a left side view of the water test strip of FIG. 15;

FIG. 21 is a right side view of the water test strip of FIG. 15;

FIG. 22 is a perspective view of a water test strip comprising another embodiment;

FIG. 23 is a front view of the water test strip of FIG. 22;

FIG. 24 is a back (or rear) view of the water test strip of FIG. 22;

FIG. 25 is a bottom view of the water test strip of FIG. 22;

FIG. 26 is a top view of the water test strip of FIG. 22;

FIG. 27 is a left side view of the water test strip of FIG. 22;

FIG. 28 is a right side view of the water test strip of FIG. 22;

FIG. 29 is a perspective view of a water test strip comprising another embodiment;

FIG. 30 is a front view of the water test strip of FIG. 29;

FIG. 31 is a back (or rear) view of the water test strip of FIG. 29;

FIG. 32 is a bottom view of the water test strip of FIG. 29;

FIG. 33 is a top view of the water test strip of FIG. 29;

FIG. 34 is a left side view of the water test strip of FIG. 29;

FIG. 35 is a right side view of the water test strip of FIG. 29;

FIG. 36 is a perspective view of a water test strip comprising another embodiment in which any text or printed pattern is located in place of the solid boxes of the test strip;

FIG. 37 is a front view of the water test strip of FIG. 36;

FIG. 38 is a back (or rear) view of the water test strip of FIG. 36;

(Continued)

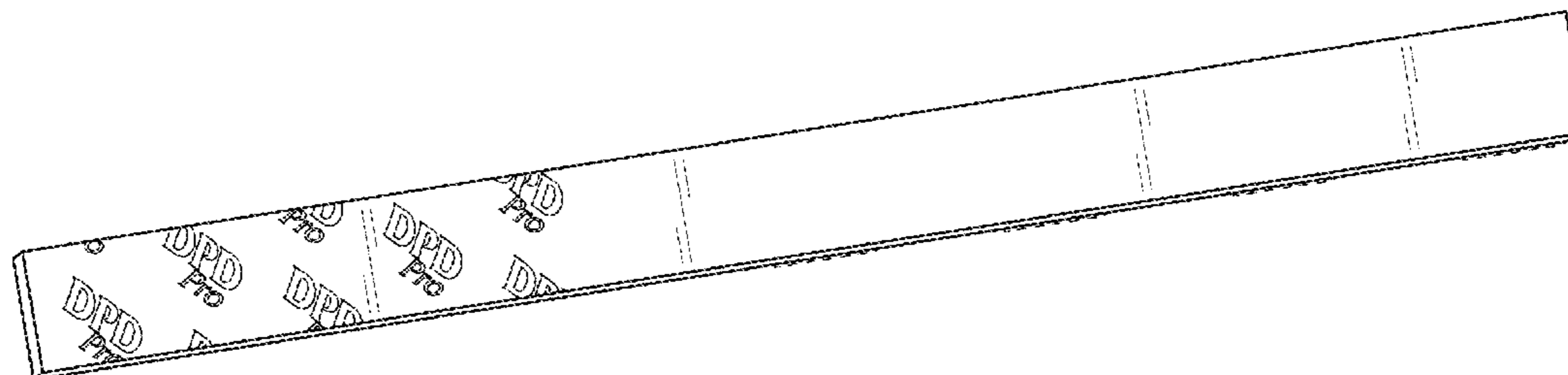


FIG. 39 is a bottom view of the water test strip of FIG. 36;
FIG. 40 is a top view of the water test strip of FIG. 36;
FIG. 41 is a left side view of the water test strip of FIG. 36;
FIG. 42 is a right side view of the water test strip of FIG. 36;
FIG. 43 is a perspective view of a water test strip comprising another embodiment;
FIG. 44 is a front view of the water test strip of FIG. 43;
FIG. 45 is a back (or rear) view of the water test strip of FIG. 43;
FIG. 46 is a bottom view of the water test strip of FIG. 43;
FIG. 47 is a top view of the water test strip of FIG. 43;
FIG. 48 is a left side view of the water test strip of FIG. 43;
FIG. 49 is a right side view of the water test strip of FIG. 43;
FIG. 50 is a perspective view of a water test strip comprising another embodiment;
FIG. 51 is a front view of the water test strip of FIG. 50;
FIG. 52 is a back (or rear) view of the water test strip of FIG. 50;
FIG. 53 is a bottom view of the water test strip of FIG. 50;
FIG. 54 is a top view of the water test strip of FIG. 50;
FIG. 55 is a left side view of the water test strip of FIG. 50;
and,
FIG. 56 is a right side view of the water test strip of FIG. 50.
The broken lines in the figures are for illustration purposes only and form no part of the claimed ornamental design; and

the broken line test strip pads shown on the back (or rear views) may appear on the fronts and/or backs of any of the test strips depicted, and may vary in number.

1 Claim, 16 Drawing Sheets

(58) **Field of Classification Search**

CPC B01L 2300/08; B01L 2300/0803; B01L 2300/0806; B01L 2300/0809; B01L 2300/0812; B01L 2300/0816; B01L 2300/0819; B01L 2300/0822; B01L 2300/0825; B01L 2300/0829; B01L 2300/0832; B01L 2300/0835; B01L 2300/0841

See application file for complete search history.

(56) **References Cited**

U.S. PATENT DOCUMENTS

D381,591 S * 7/1997 Rice D10/81
D392,391 S * 3/1998 Douglas D24/225
9,429,507 B2 * 8/2016 Matsui G01N 15/1404

* cited by examiner

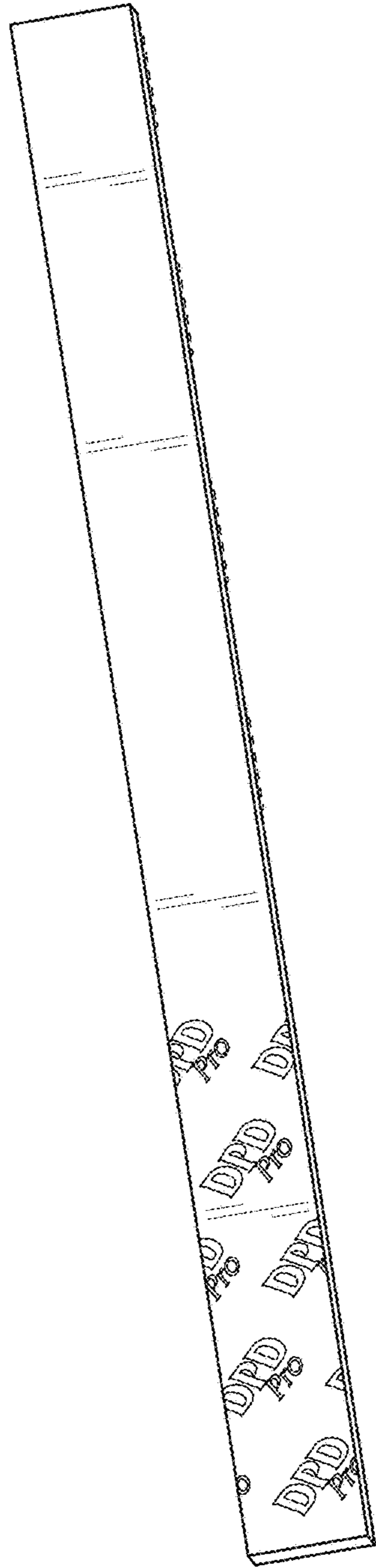


FIG. 1

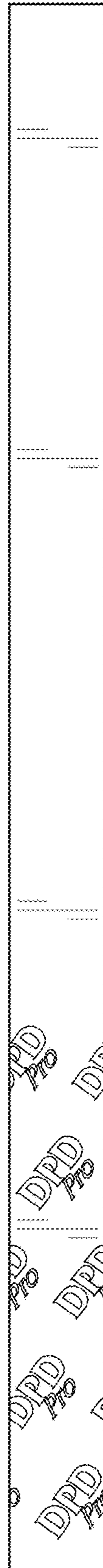


FIG. 2

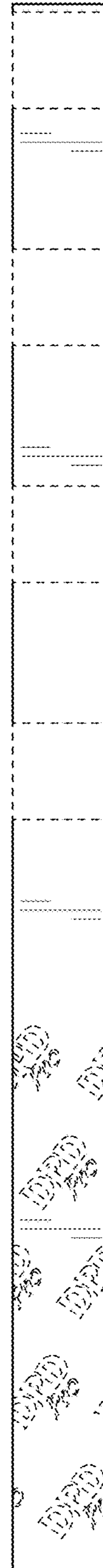


FIG. 3

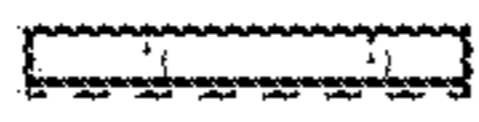


FIG. 4

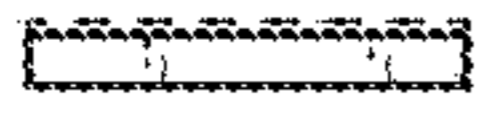


FIG. 5



FIG. 6



FIG. 7

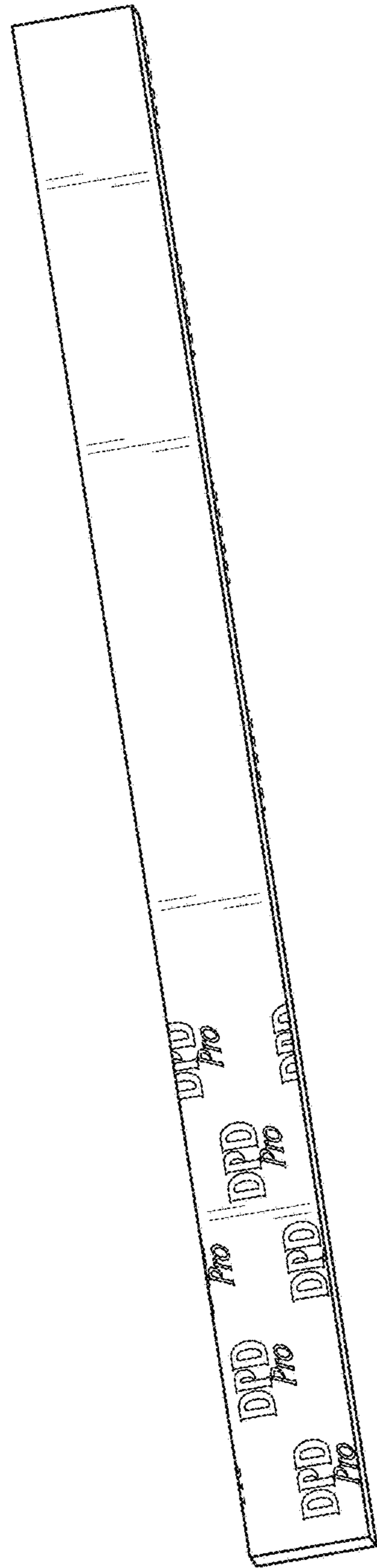


FIG. 8



FIG. 9

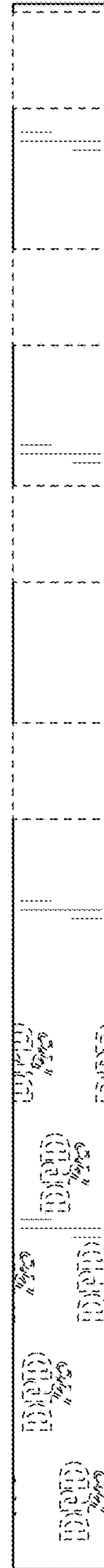


FIG. 10

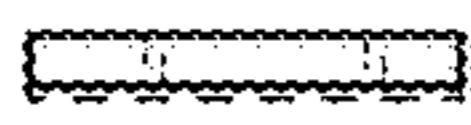


FIG. 11

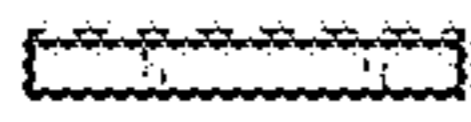


FIG. 12

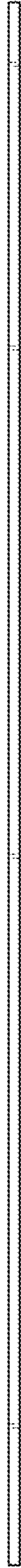


FIG. 13

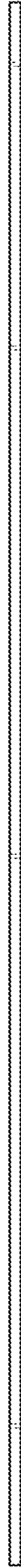


FIG. 14

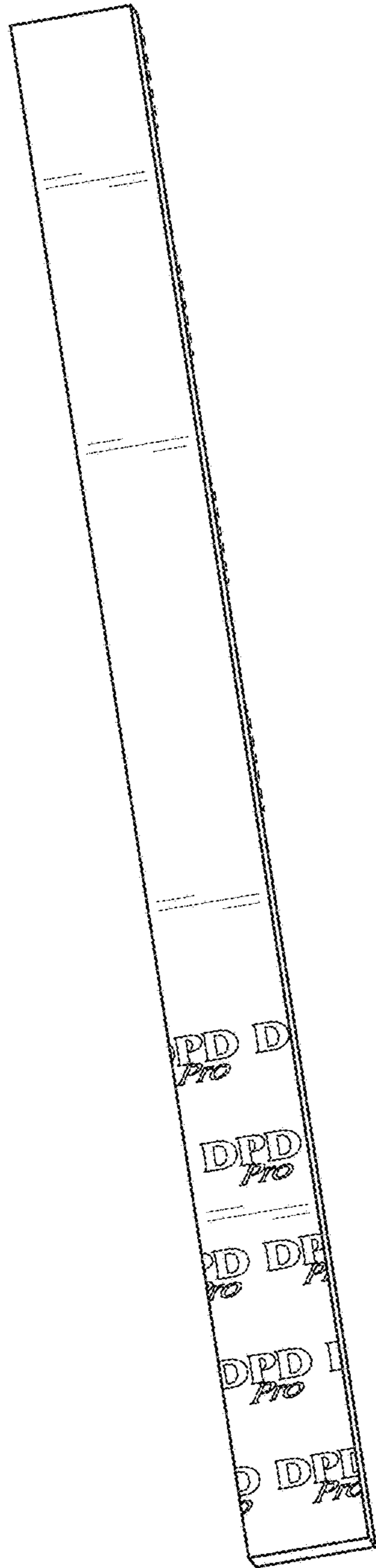


FIG. 15



FIG. 16

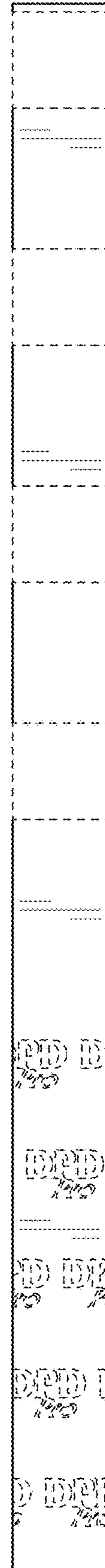


FIG. 17

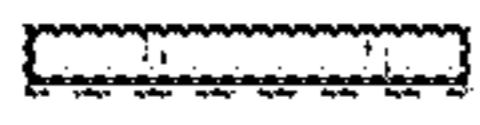


FIG. 18

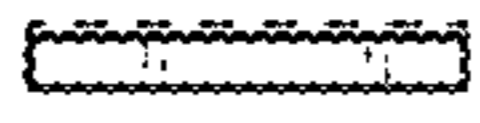


FIG. 19

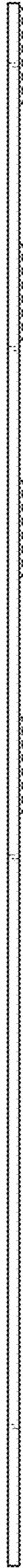


FIG. 20

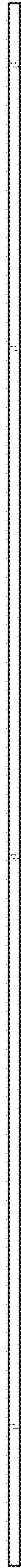


FIG. 21

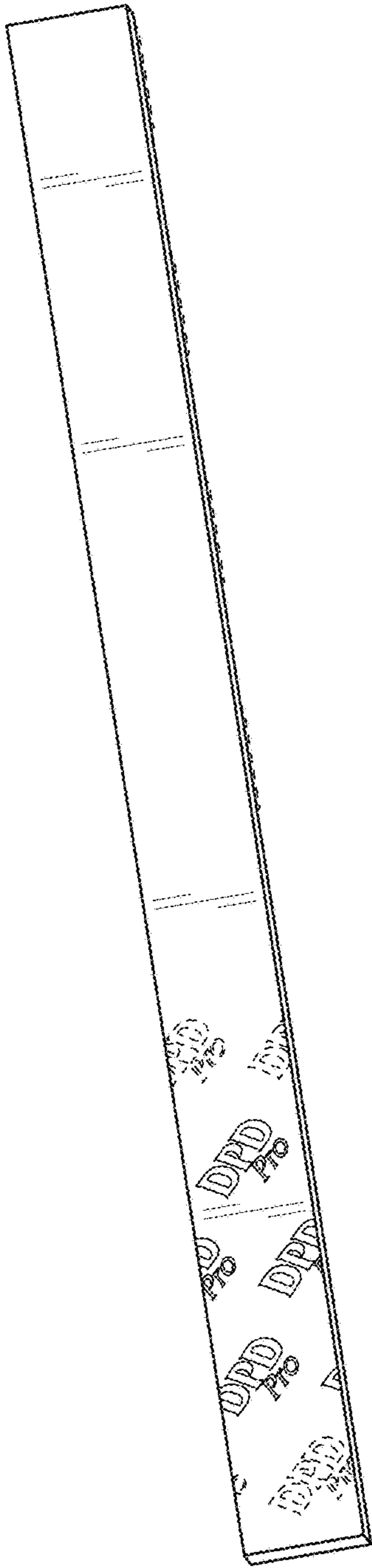


FIG. 22

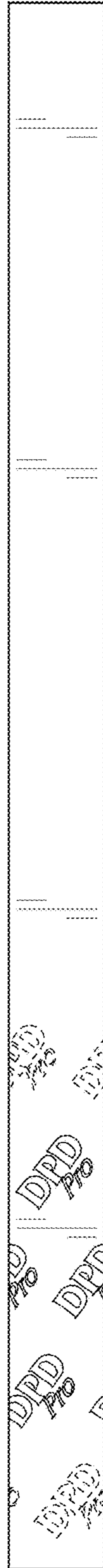


FIG. 23

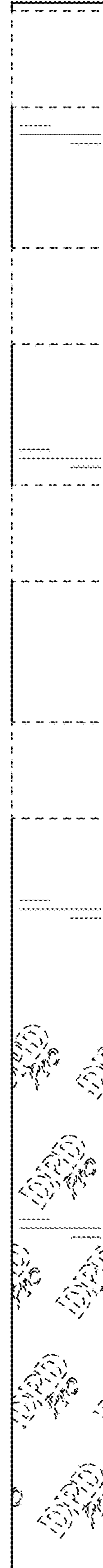


FIG. 24

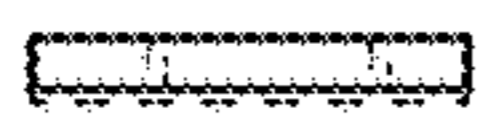


FIG. 25

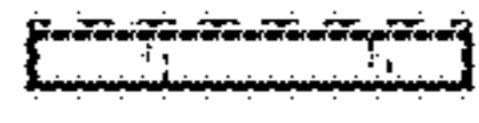


FIG. 26

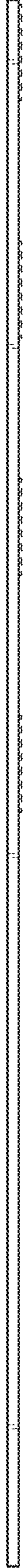


FIG. 27



FIG. 28

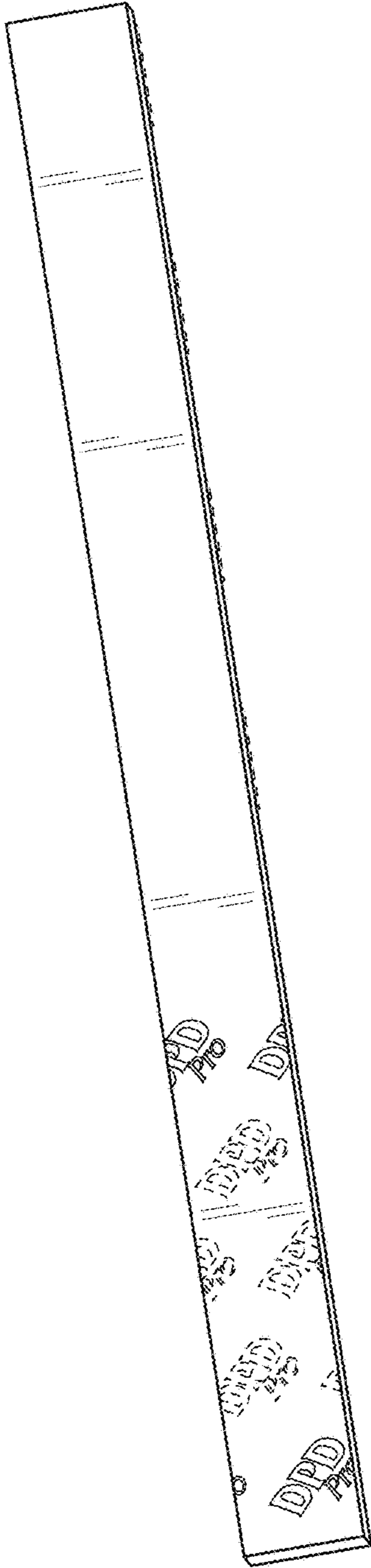


FIG. 29



FIG. 30

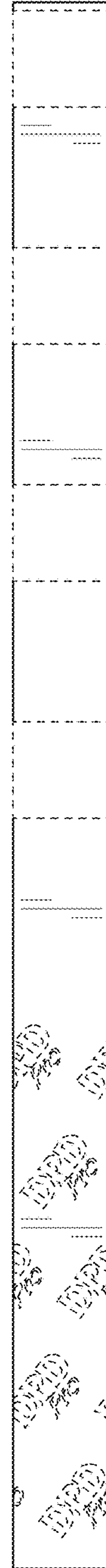


FIG. 31

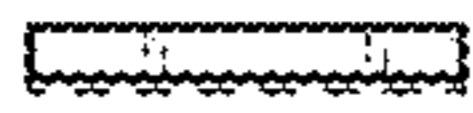


FIG. 32

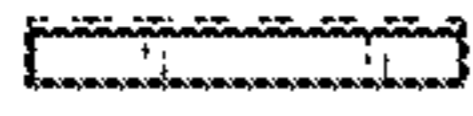


FIG. 33



FIG. 34



FIG. 35

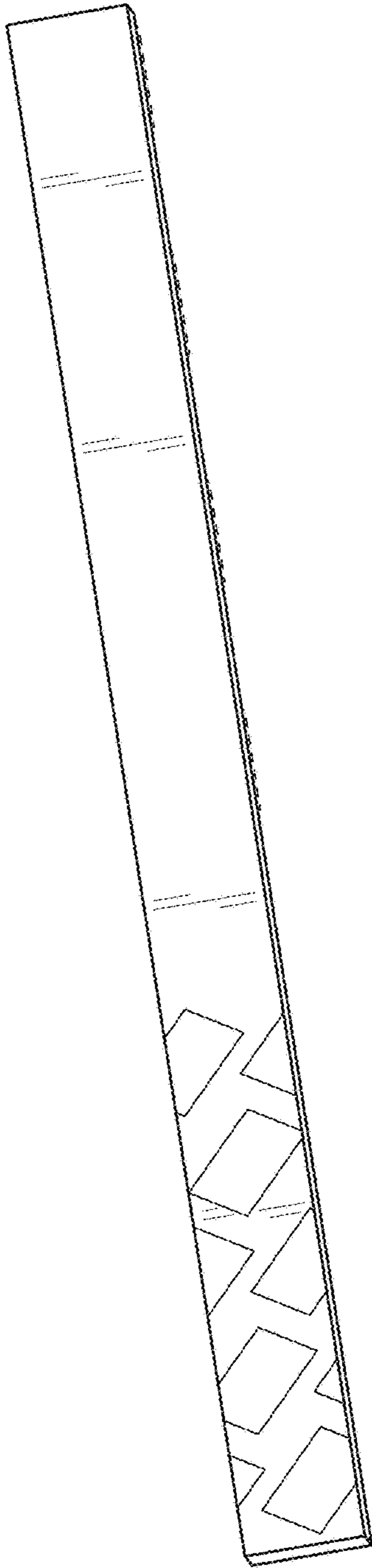


FIG. 36



FIG. 37



FIG. 38

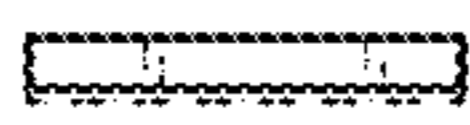


FIG. 39

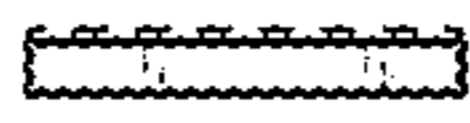


FIG. 40

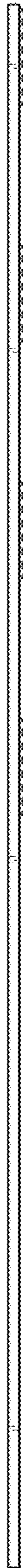


FIG. 41



FIG. 42

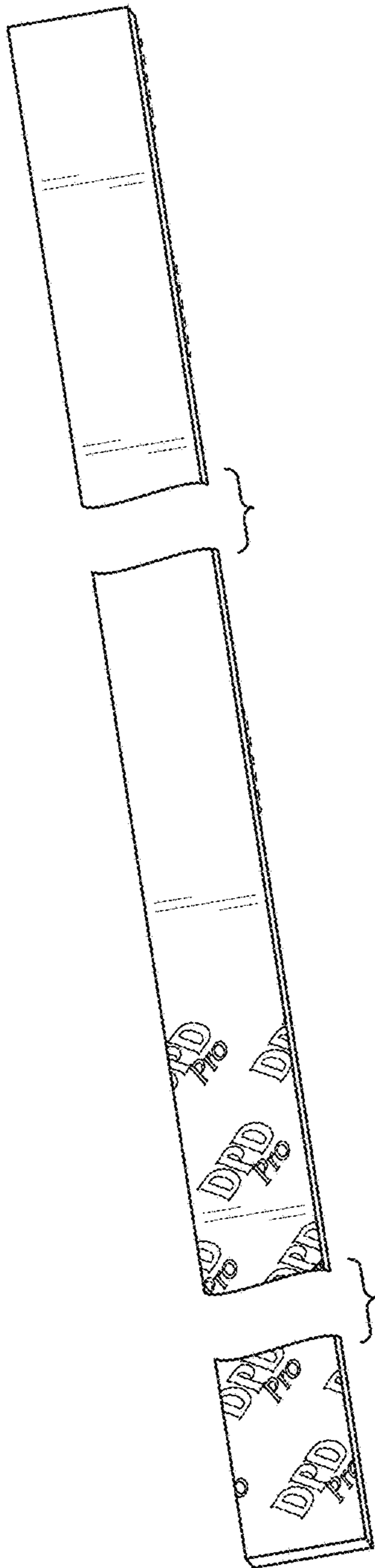


FIG. 43

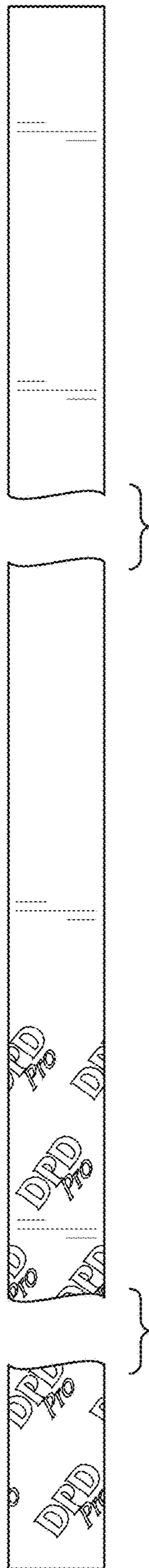


FIG. 44

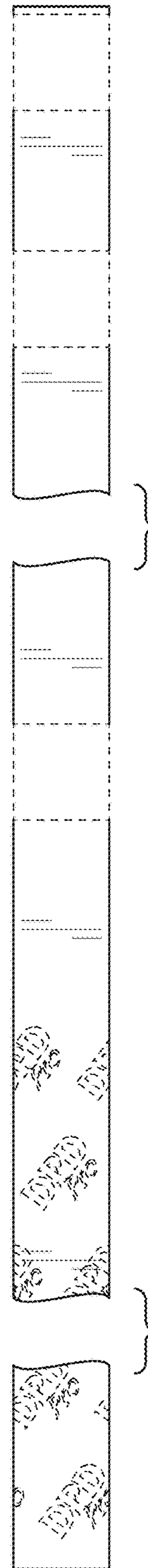


FIG. 45

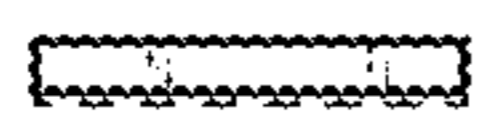


FIG. 46

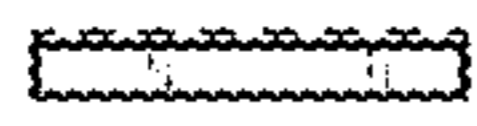


FIG. 47

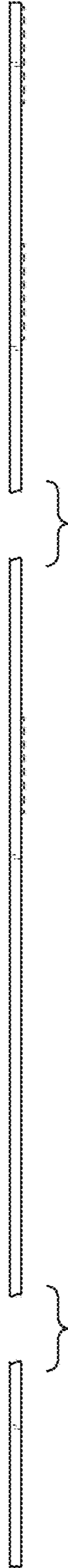


FIG. 48

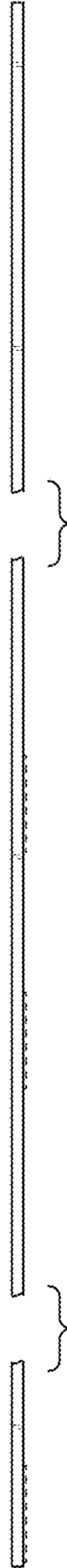


FIG. 49

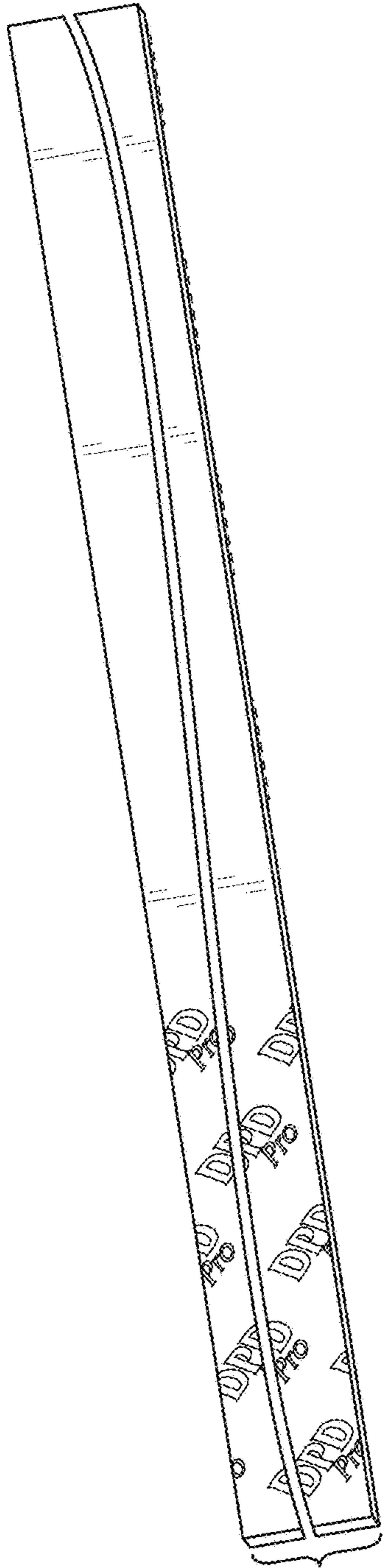


FIG. 50

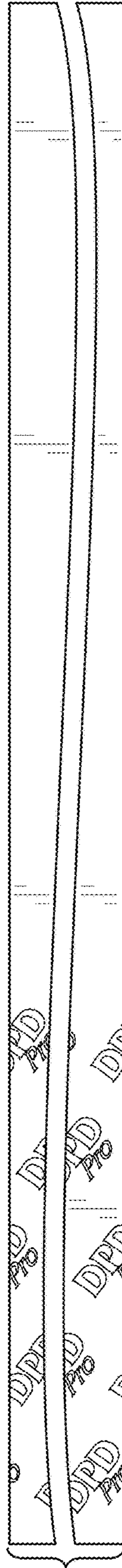


FIG. 51

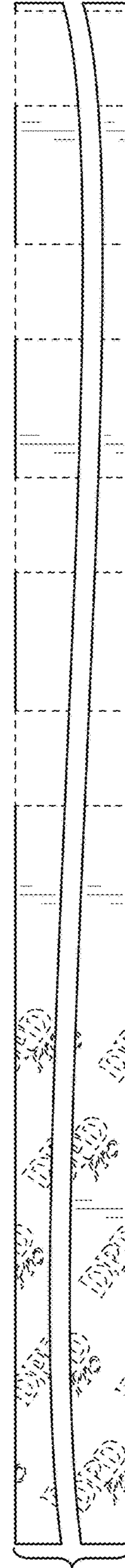


FIG. 52

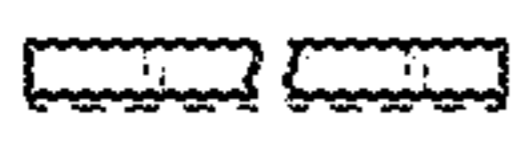


FIG. 53

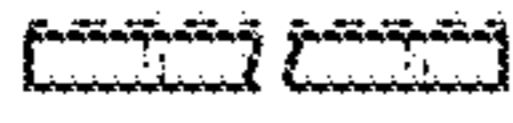


FIG. 54

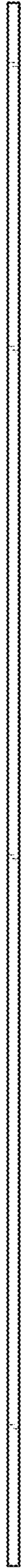


FIG. 55

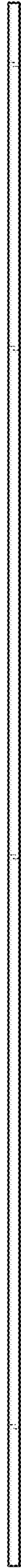


FIG. 56