



US00D799999S

(12) **United States Design Patent** (10) **Patent No.:** **US D799,999 S**  
**Barton et al.** (45) **Date of Patent:** **\*\* Oct. 17, 2017**

(54) **DIAGNOSTIC ANALYZER**

OTHER PUBLICATIONS

- (71) Applicant: **Abbott Laboratories**, Abbott Park, IL (US)
- (72) Inventors: **Christina A Barton**, Irving, TX (US); **Daniel Roger Nett**, Sun Prairie, WI (US); **Rachel Elizabeth Wallace**, Madison, WI (US); **Ami Marie Verhalen**, Sun Prairie, WI (US); **Christopher Alan Harris**, Madison, WI (US)
- (73) Assignee: **ABBOTT LABORATORIES**, Abbott Park, IL (US)

Intellectual Property Office of Japan, "Directive," issued in connection with Japanese Design Application No. 2015-28870, dated Oct. 25, 2016, 3 pages.

(Continued)

*Primary Examiner* — Antoine D Davis  
(74) *Attorney, Agent, or Firm* — McAndrews, Held & Malloy, Ltd.

(\*\*) Term: **15 Years**

(57) **CLAIM**

The ornamental design for a diagnostic analyzer, as shown and described.

(21) Appl. No.: **29/549,332**

**DESCRIPTION**

(22) Filed: **Dec. 21, 2015**

**Related U.S. Application Data**

(63) Continuation-in-part of application No. 29/531,576, filed on Jun. 26, 2015, now Pat. No. Des. 777,048.

(51) **LOC (10) Cl.** ..... **10-04**

(52) **U.S. Cl.**  
USPC ..... **D10/81; D24/216**

(58) **Field of Classification Search**  
USPC ..... D24/216–219, 231, 232, 233, 107, 169, D24/186; D10/81  
CPC ..... G01N 21/00; G01N 21/01; G01N 2021/0106; G01N 2201/022; G01N 2201/0221; G01N 2201/0222; G01N  
(Continued)

The file of this patent contains at least one drawing/photograph executed in color. Copies of this patent with color drawings(s)/photograph(s) will be provided by the Office upon request and payment of the necessary fee.  
FIG. 1 is a front left perspective view of a first embodiment of a diagnostic analyzer showing our new design;  
FIG. 2 is a front elevation view thereof;  
FIG. 3 is a front left perspective view of a second embodiment of a diagnostic analyzer showing our new design;  
FIG. 4 is a front elevation view thereof;  
FIG. 5 is a rear elevation view thereof;  
FIG. 6 is a right side elevation view thereof;  
FIG. 7 is a left side elevation view thereof;  
FIG. 8 is a top plan view thereof; and,  
FIG. 9 is a bottom plan view thereof.

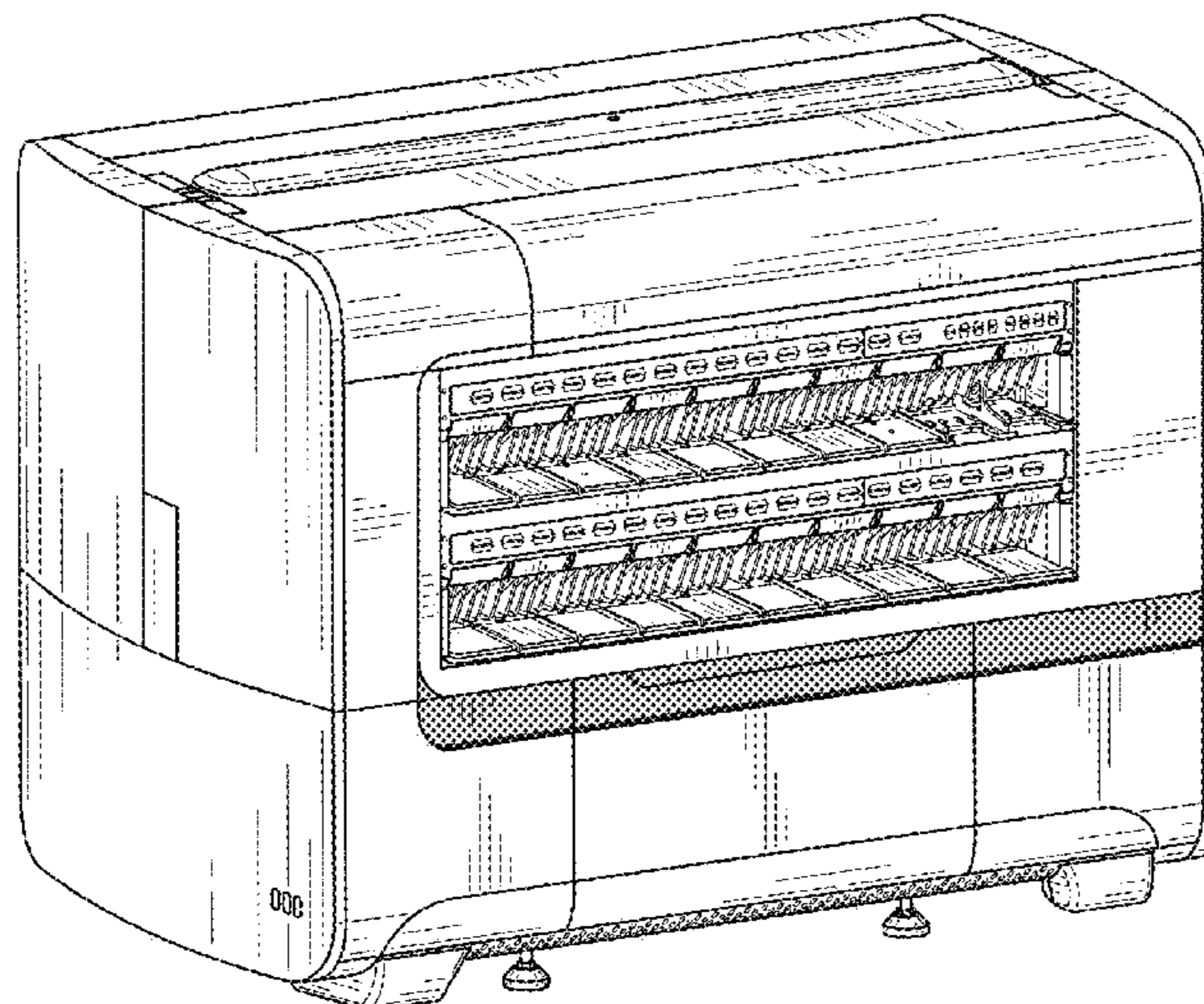
It is understood that the only difference between the first and second embodiments is the inclusion of a display screen and associated arm in the second embodiment, it being understood that all other surfaces are the same in the two embodiments.

(56) **References Cited**

**U.S. PATENT DOCUMENTS**

- D347,396 S 5/1994 Ohnuma et al.
- D755,405 S 5/2016 Zhu
- D773,071 S \* 11/2016 Hakoda ..... D10/81

**1 Claim, 6 Drawing Sheets**  
**(4 of 6 Drawing Sheet(s) Filed in Color)**



(58) **Field of Classification Search**

CPC ..... 2201/0224; G01N 2201/0225; G01N  
2201/0227; G01N 2201/0228; G01N  
2201/024; G01N 2201/0245; G01N  
2021/0112–21/958

See application file for complete search history.

(56) **References Cited**

OTHER PUBLICATIONS

State Intellectual Property Office of China, “First Office Action,” issued in connection with Chinese Patent Application No. 201530555266.8, dated Oct. 9, 2016, 3 pages.

State Intellectual Property Office of China, “Notification of First Correction,” issued in connection with Chinese Patent Application No. 201530555266.8, dated Apr. 22, 2016, 3 pages.

Intellectual Property Office of Japan, “Notice for Reasons for Rejection,” issued in connection with Japanese Application No. 2015-28870, mailed Jun. 14, 2016, 5 pages.

Office for Harmonization in the Internal Market, “Notification of the Registration of the Community Designs,” issued in connection with European Community Design Nos. 002930230-0001 through 002930230-0029, dated Mar. 17, 2016, 6 pages.

United States Patent and Trademark Office, “Restriction and/or Election Requirement,” issued in connection with U.S. Appl. No. 29/531,576, mailed Jul. 6, 2016, 12 pages.

United States Patent and Trademark Office, “Notice of Allowance,” issued in connection with U.S. Appl. No. 29/531,576, mailed Sep. 8, 2016, 13 pages.

Japanese Patent Office, “Notice of Reasons for Rejection,” issued in connection with Japanese Patent Application No. 2016-22305, mailed Feb. 28, 2017, 3 pages.

Japanese Patent Office, “Notice of Reasons for Rejection,” issued in connection with Japanese Patent Application No. 2016-22306, mailed Feb. 28, 2017, 3 pages.

Japanese Patent Office, “Notice of Reasons for Rejection,” issued in connection with Japanese Patent Application No. 2016-22307, mailed Feb. 28, 2017, 3 pages.

\* cited by examiner

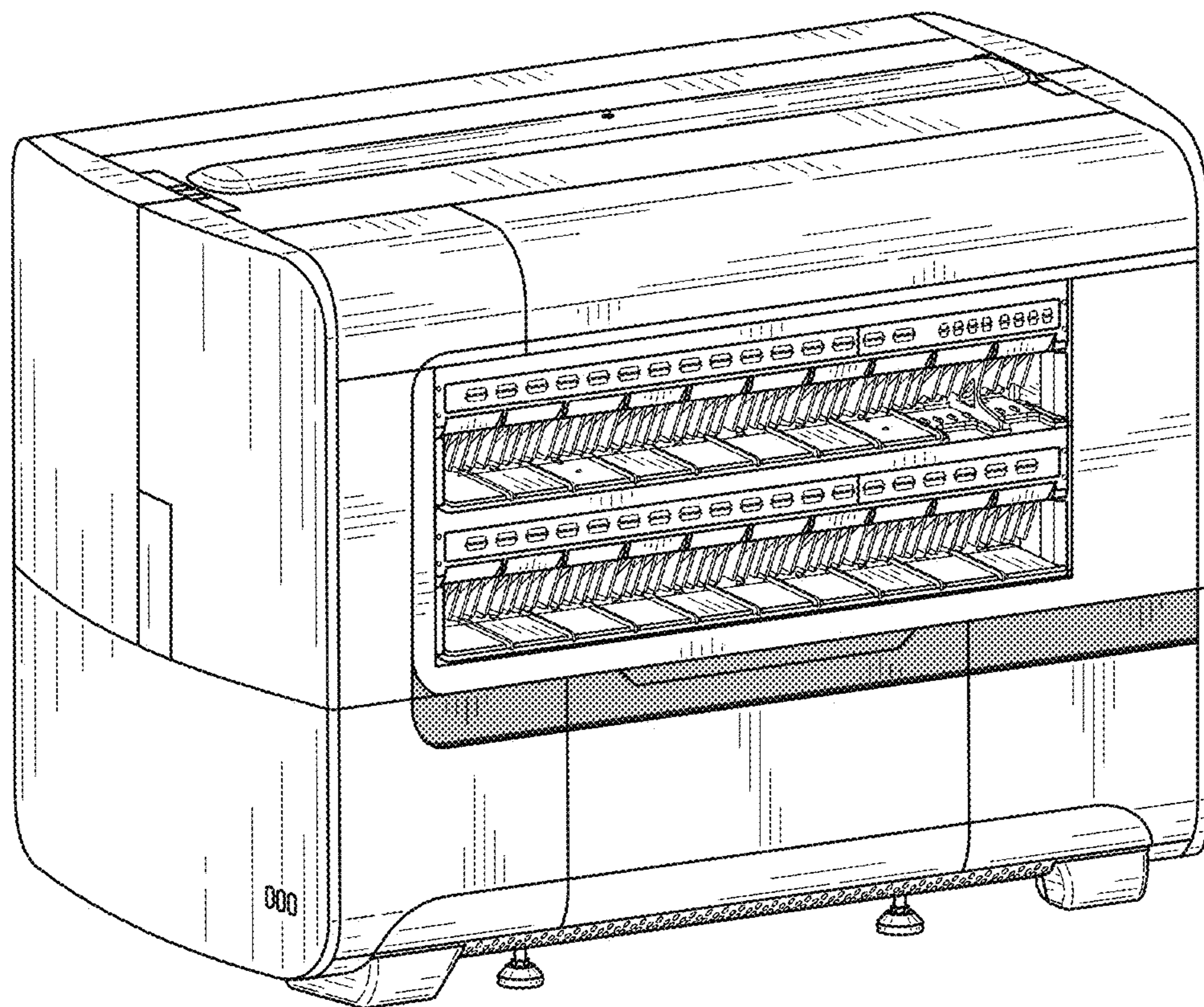


FIG. 1

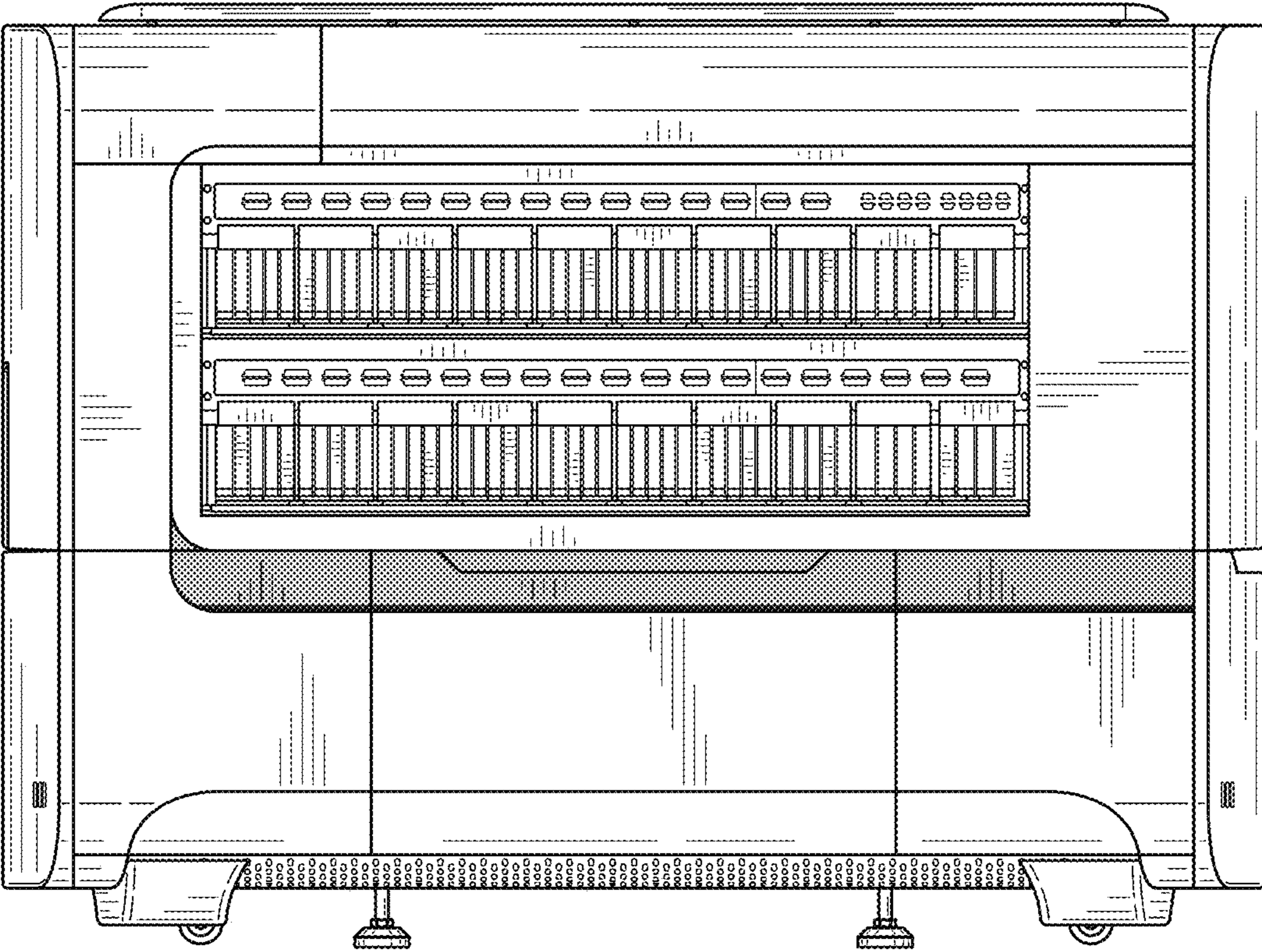


FIG. 2

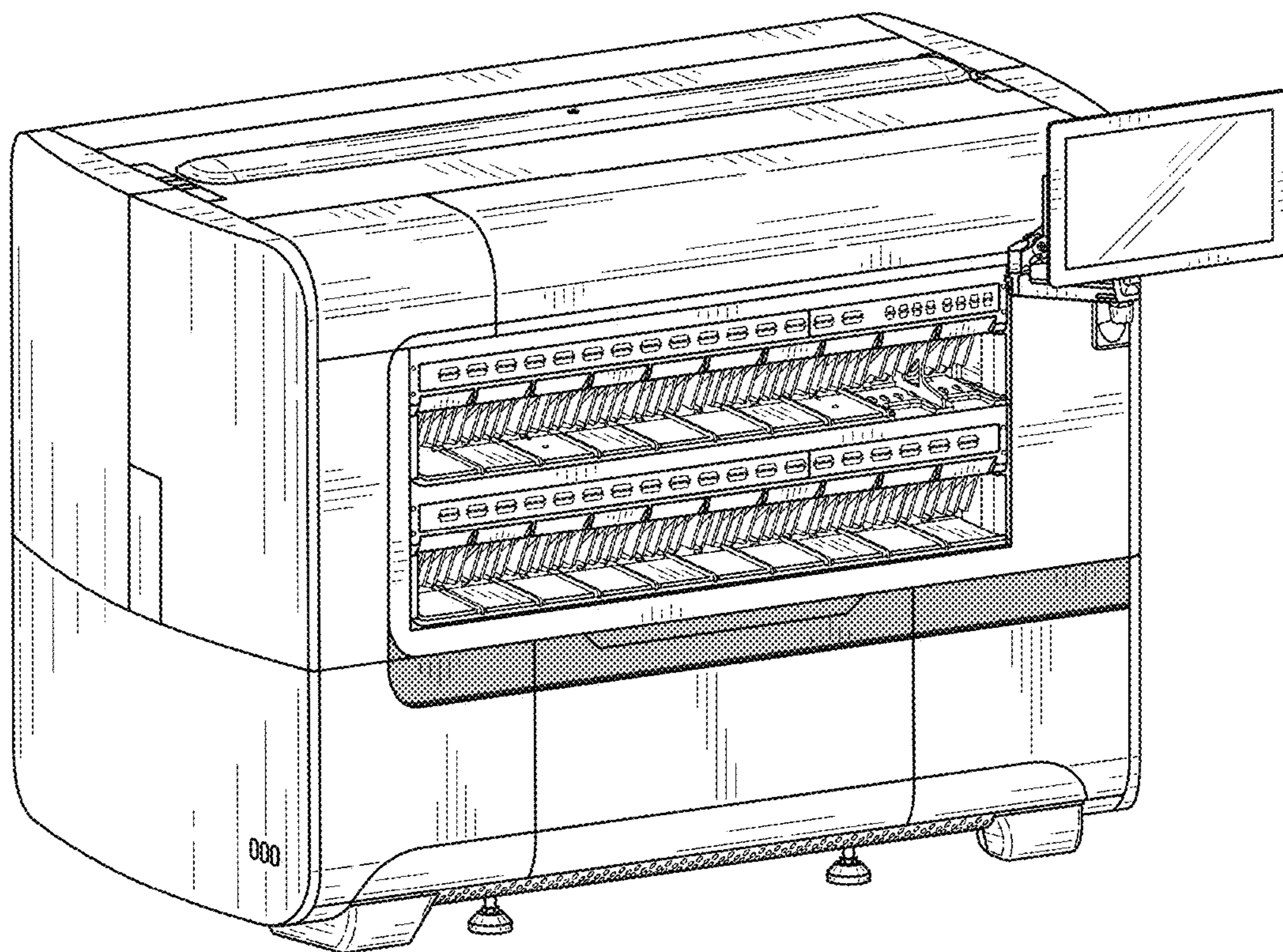


FIG. 3

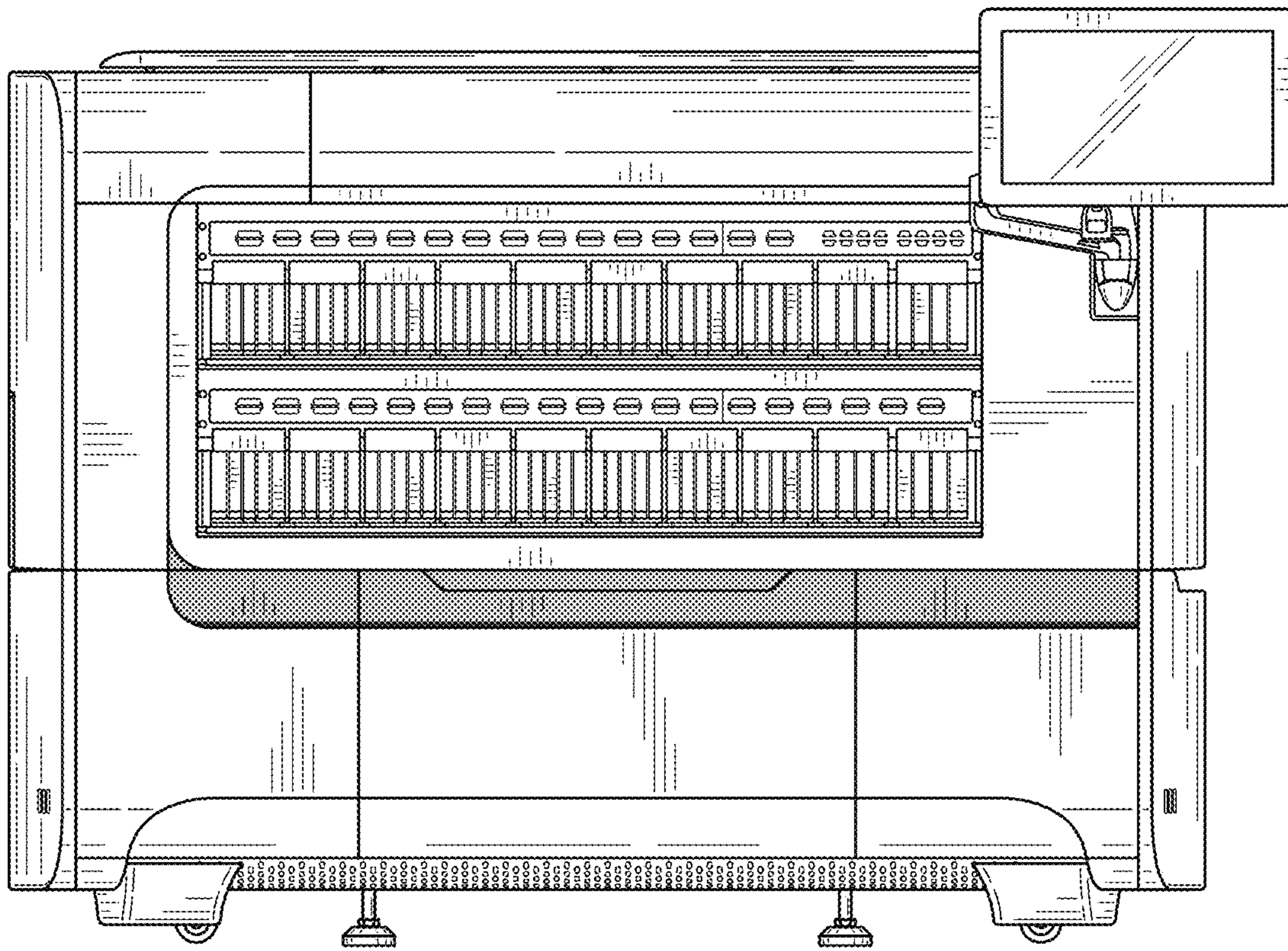


FIG. 4

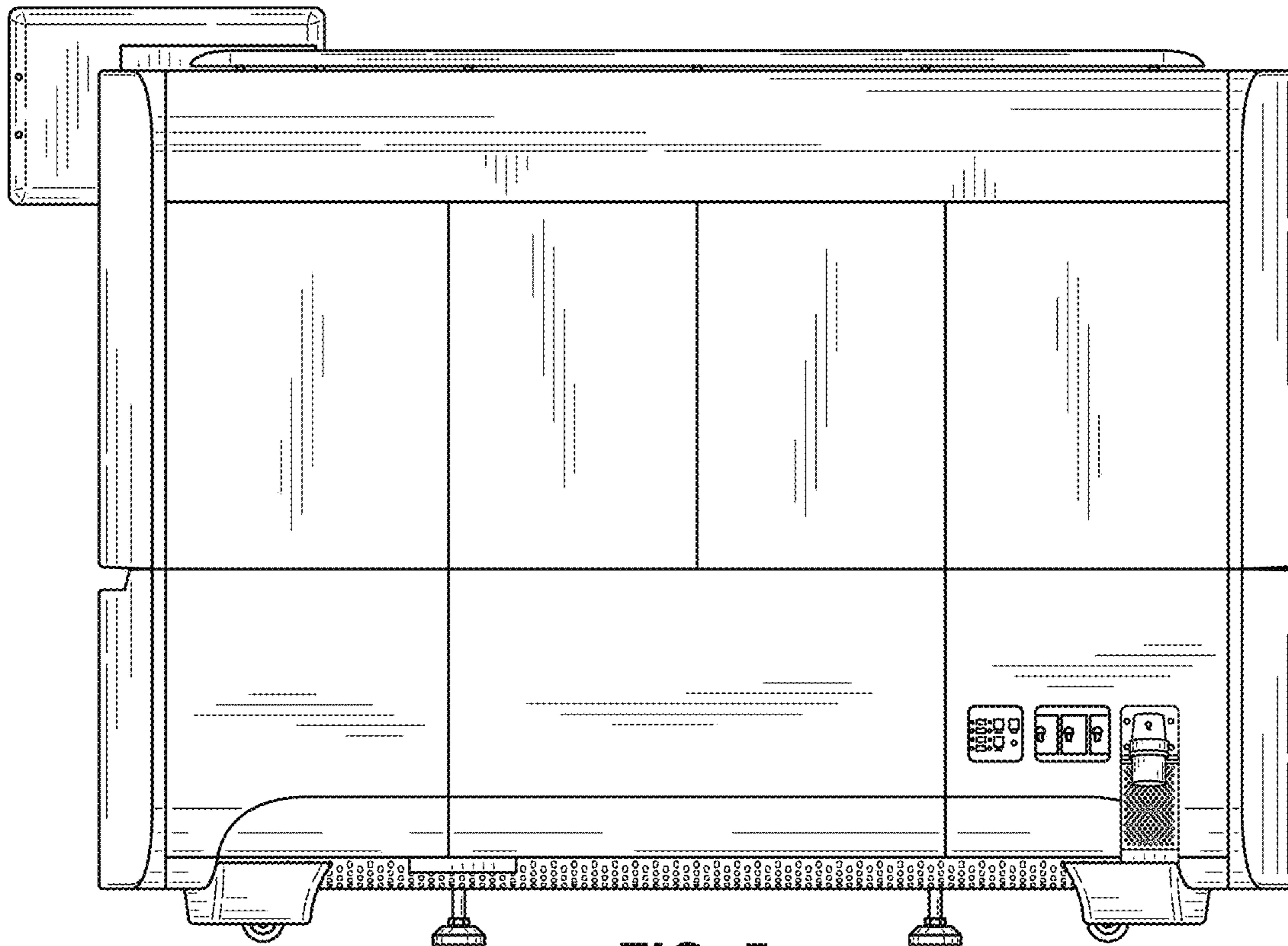


FIG. 5

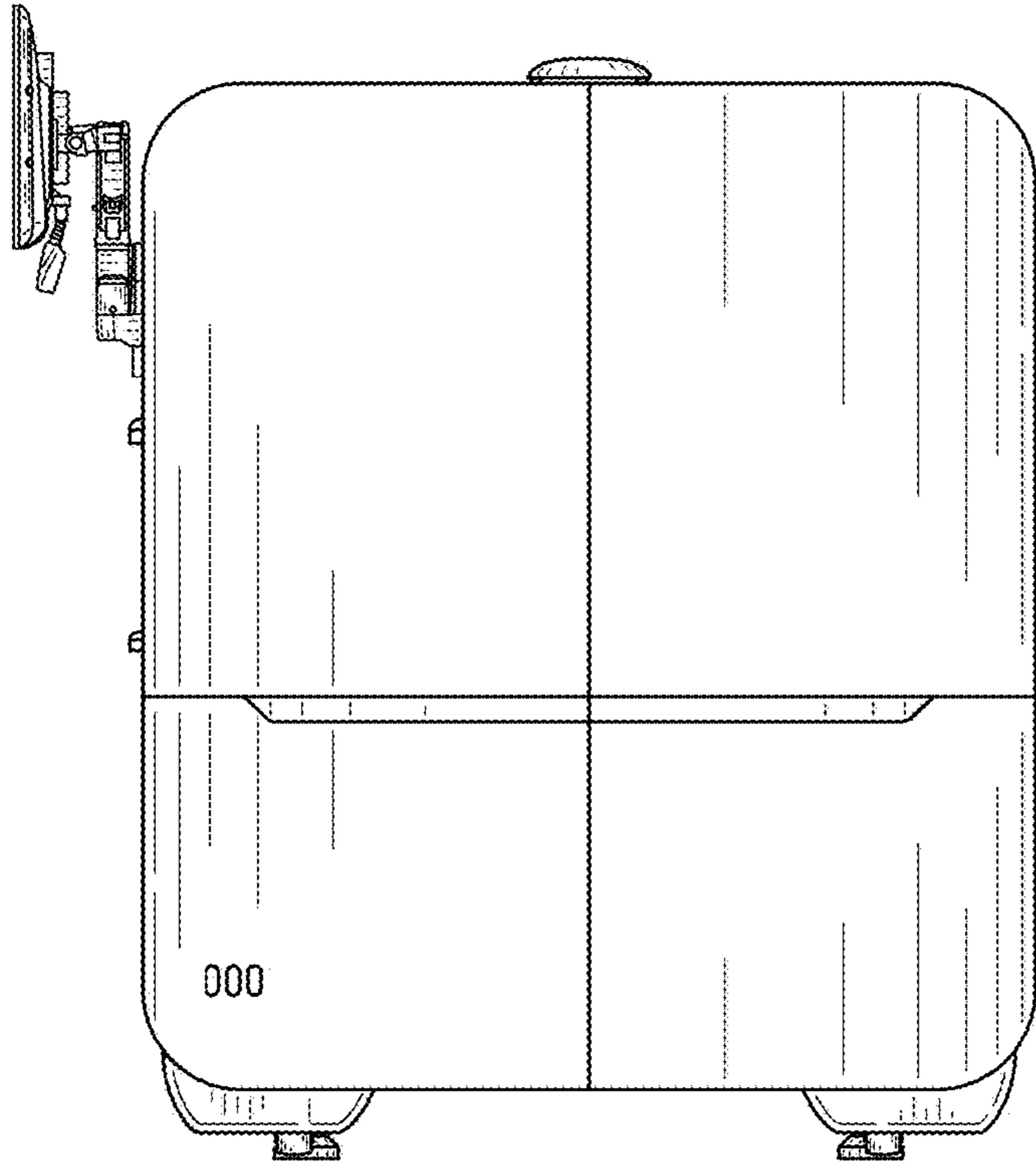


FIG. 6

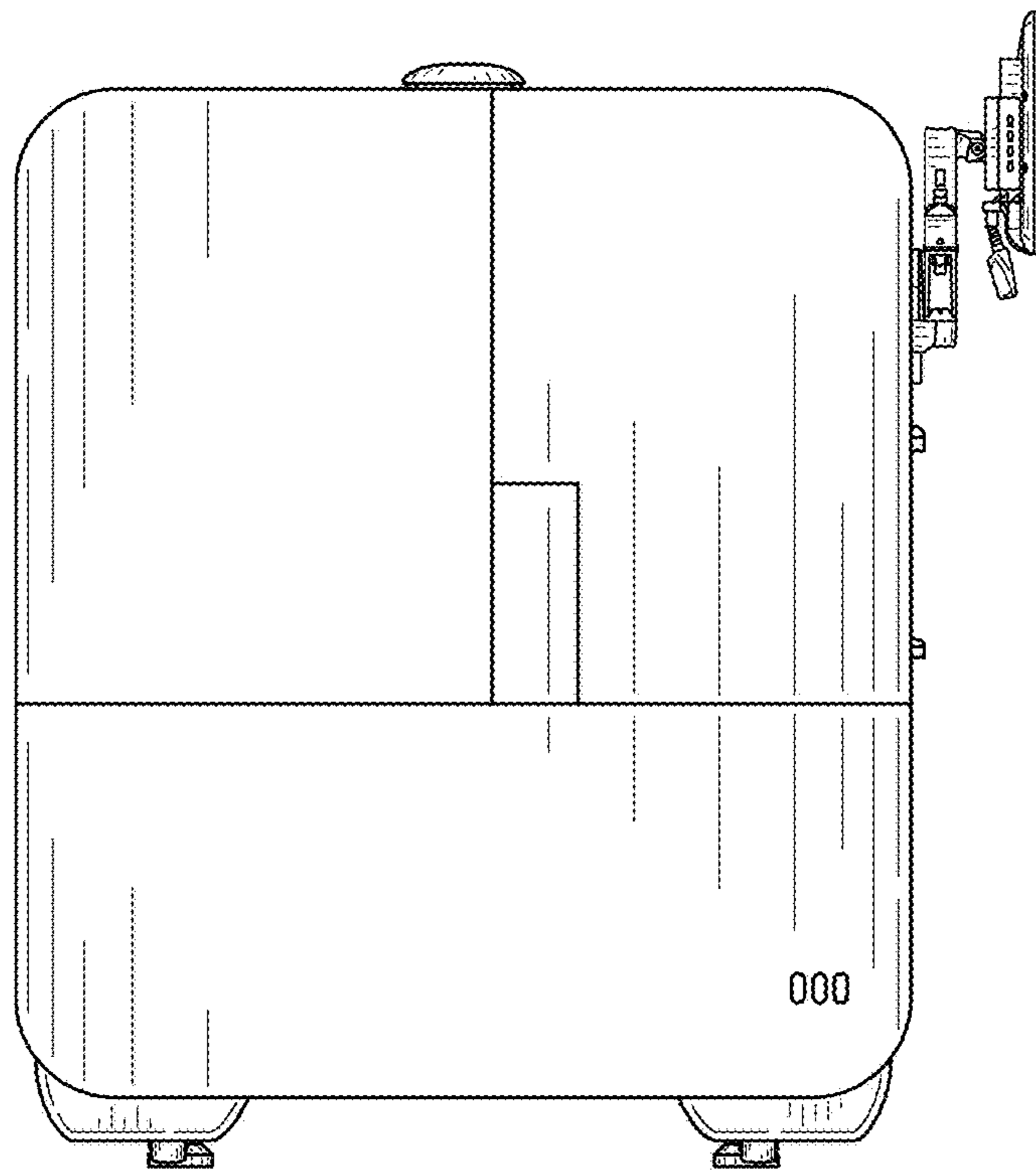


FIG. 7

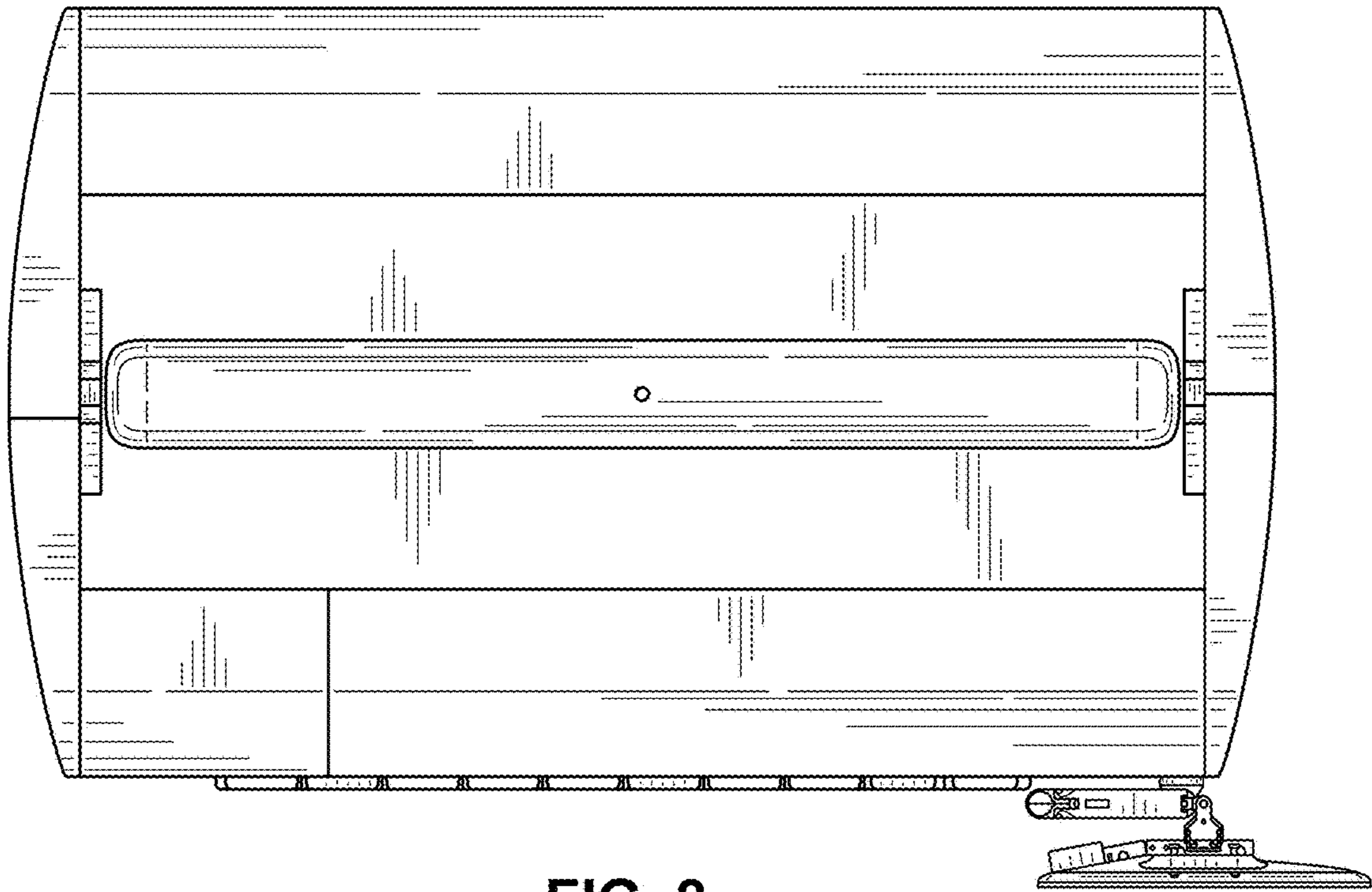


FIG. 8

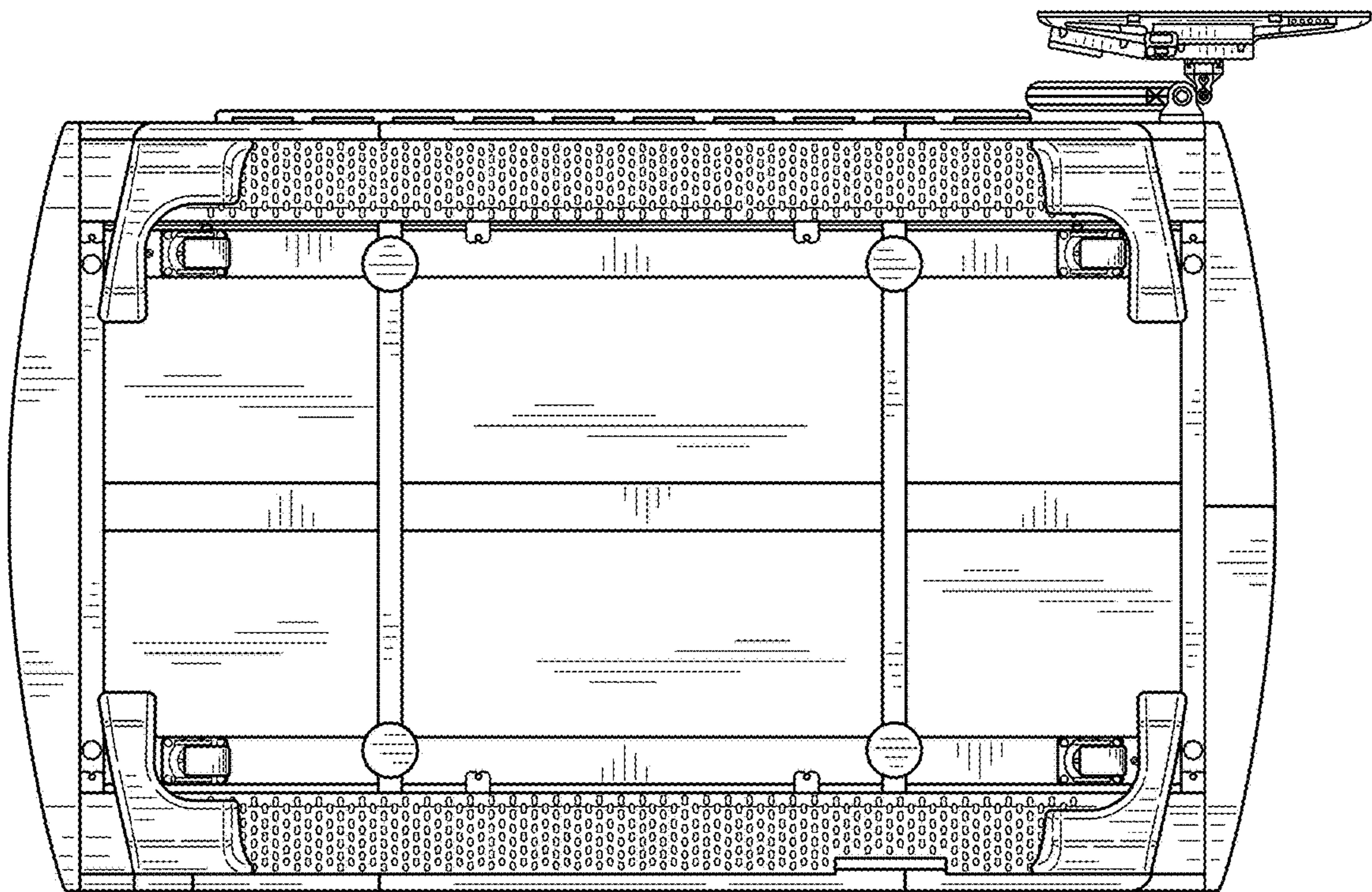


FIG. 9