

US00D799997S

(12) **United States Design Patent** (10) **Patent No.:** **US D799,997 S**
Jacoby et al. (45) **Date of Patent:** **** Oct. 17, 2017**

(54) **CONTROL DEVICE**

(71) Applicant: **Lutron Electronics Co., Inc.**,
Coopersburg, PA (US)

(72) Inventors: **Elliot G. Jacoby**, Glenside, PA (US);
Jason C. Killo, Emmaus, PA (US);
Brad Michael Kreschollek, Bethlehem,
PA (US); **Noel Mayo**, Philadelphia, PA
(US)

(73) Assignee: **Lutron Electronics Co., Inc.**,
Coopersburg, PA (US)

(**) Term: **15 Years**

(21) Appl. No.: **29/585,359**

(22) Filed: **Nov. 23, 2016**

Related U.S. Application Data

(63) Continuation of application No. 29/515,921, filed on
Jan. 28, 2015, now Pat. No. Des. 775,975.

(51) **LOC (10) Cl.** **10-04**

(52) **U.S. Cl.**
USPC **D10/50; D13/162**

(58) **Field of Classification Search**

USPC D13/162, 164; D10/49, 50
CPC . F23N 5/20; F23N 5/203; F23N 5/206; F23N
2025/12; F23N 2041/02; F24F 11/00;
F24F 11/001; F24F 11/0009; F24F
11/0012; F24F 2011/0057; F24F
2011/0073; F24F 2011/0091; H05B
37/02; H05B 37/0245; H01H 9/02; H01H
9/16; H01H 9/161; H01H 9/165; H01H
9/181; H01H 9/182; H01H 2009/187;
G05D 23/1917

See application file for complete search history.

(56) **References Cited**

U.S. PATENT DOCUMENTS

4,316,256 A 2/1982 Hendricks et al.
4,780,573 A 10/1988 Own

D309,268 S 7/1990 Wada et al.
D310,340 S 9/1990 Wada et al.
D364,350 S 11/1995 Pasquarette et al.
D364,573 S 11/1995 Pearsall
6,260,765 B1 7/2001 Natale et al.
D453,742 S 2/2002 Butler et al.
D466,090 S 11/2002 Bennett et al.

(Continued)

FOREIGN PATENT DOCUMENTS

CA 123790 6/2009

OTHER PUBLICATIONS

Bticino Spa, Matix Brochure, May 2009, 16 pages.

(Continued)

Primary Examiner — Antoine D Davis

Assistant Examiner — Selina Sikder

(74) *Attorney, Agent, or Firm* — Saidman DesignLaw
Group, LLC

(57) **CLAIM**

We claim the ornamental design for a control device, as
shown and described.

DESCRIPTION

FIG. 1 is a perspective view of a control device showing our
new design.

FIG. 2 is a front view thereof.

FIG. 3 is a left side view thereof.

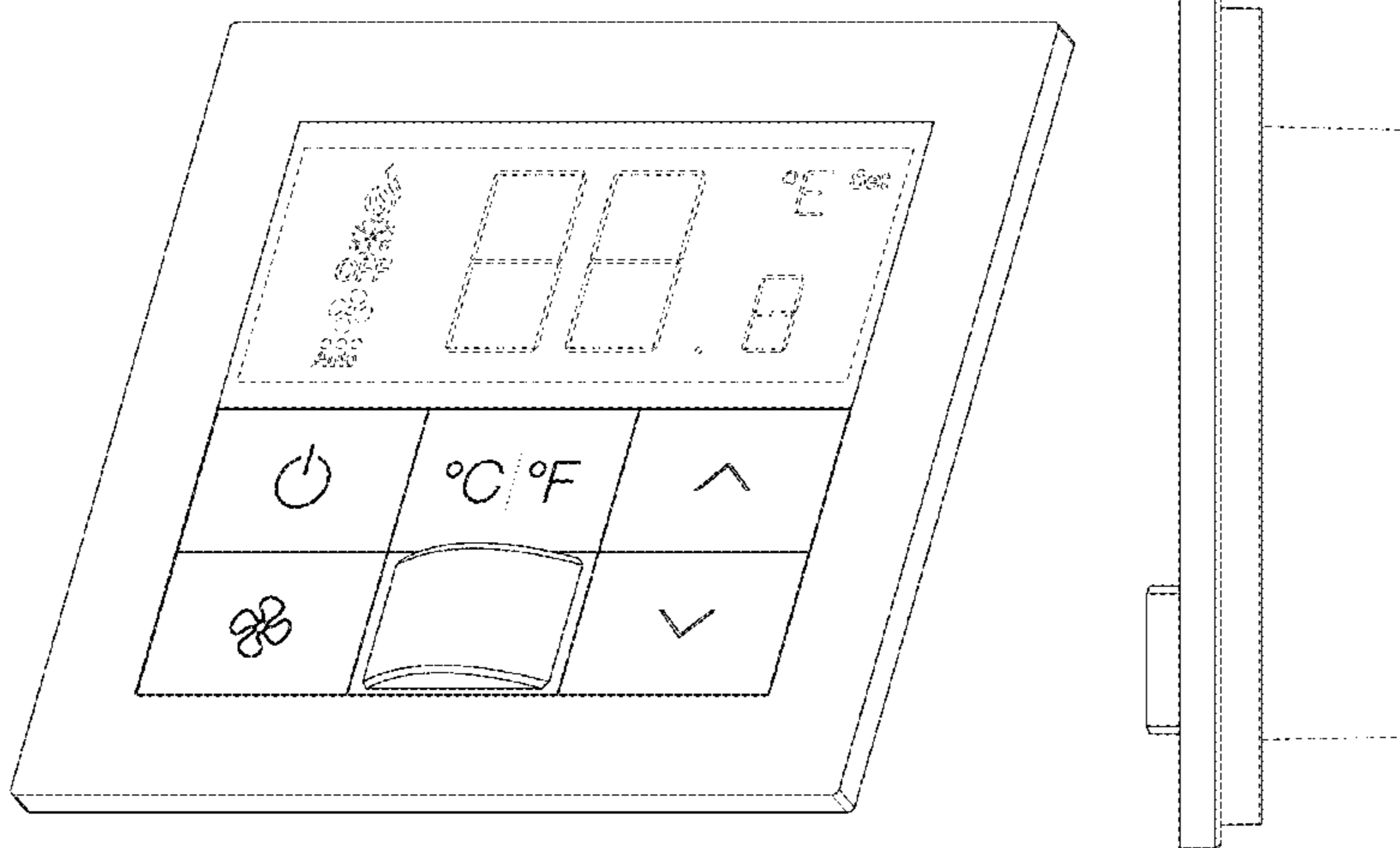
FIG. 4 is a right side view thereof.

FIG. 5 is a top view thereof; and,

FIG. 6 is a bottom view thereof.

The rear view forms no part of the design and is omitted. The
portions of the drawings appearing in broken lines are for
environment only and do not form part of the claimed
design.

1 Claim, 4 Drawing Sheets



(56)

References Cited

U.S. PATENT DOCUMENTS

D547,273 S 7/2007 Mierta et al.
 D549,710 S 8/2007 Hyneczek et al.
 D588,035 S 3/2009 Schmalz et al.
 7,566,996 B2 7/2009 Altonen et al.
 D633,448 S 3/2011 Biery et al.
 D649,123 S 11/2011 Jacoby et al.
 D649,124 S 11/2011 Jacoby et al.
 D649,520 S 11/2011 Jacoby et al.
 8,525,372 B2 9/2013 Huang
 D706,727 S 6/2014 Joshi et al.
 D706,729 S 6/2014 Joshi et al.
 D707,186 S 6/2014 Sloan
 D714,736 S 10/2014 O'Donnell
 D717,742 S 11/2014 Larkin et al.
 8,978,994 B2 3/2015 Moore et al.
 D734,277 S 7/2015 Jacoby et al.
 D737,154 S 8/2015 Jacoby et al.
 9,119,240 B2 8/2015 Nagazoe
 9,124,130 B2 9/2015 Altonen et al.
 9,157,647 B2 10/2015 Leen et al.
 9,167,666 B1 10/2015 Billheimer et al.

D750,981 S * 3/2016 Jacoby D10/50
 D769,829 S 10/2016 Jacoby et al.
 D770,393 S 11/2016 Jacoby et al.
 D775,975 S * 1/2017 Jacoby D10/50
 D775,976 S * 1/2017 Jacoby D10/50
 D784,168 S * 4/2017 Jacoby D10/50
 2011/0253516 A1 10/2011 Figueroa et al.
 2012/0091213 A1 4/2012 Altonen et al.
 2013/0285472 A1 10/2013 Bull
 2014/0268630 A1 9/2014 Samuels
 2015/0076991 A1 3/2015 Yamamoto et al.
 2015/0316285 A1 11/2015 Clifton et al.

OTHER PUBLICATIONS

Dynalite Intelligent Light Pty Ltd., Light News, Aug. 2005, 8 pages, issue 2.
 Design U.S. Appl. No. 29/502,399 entitled "Control Device" filed Sep. 16, 2014. (Unpublished).
 Design U.S. Appl. No. 29/515,924 entitled "Control Device" filed Jan. 28, 2015. (Unpublished).

* cited by examiner

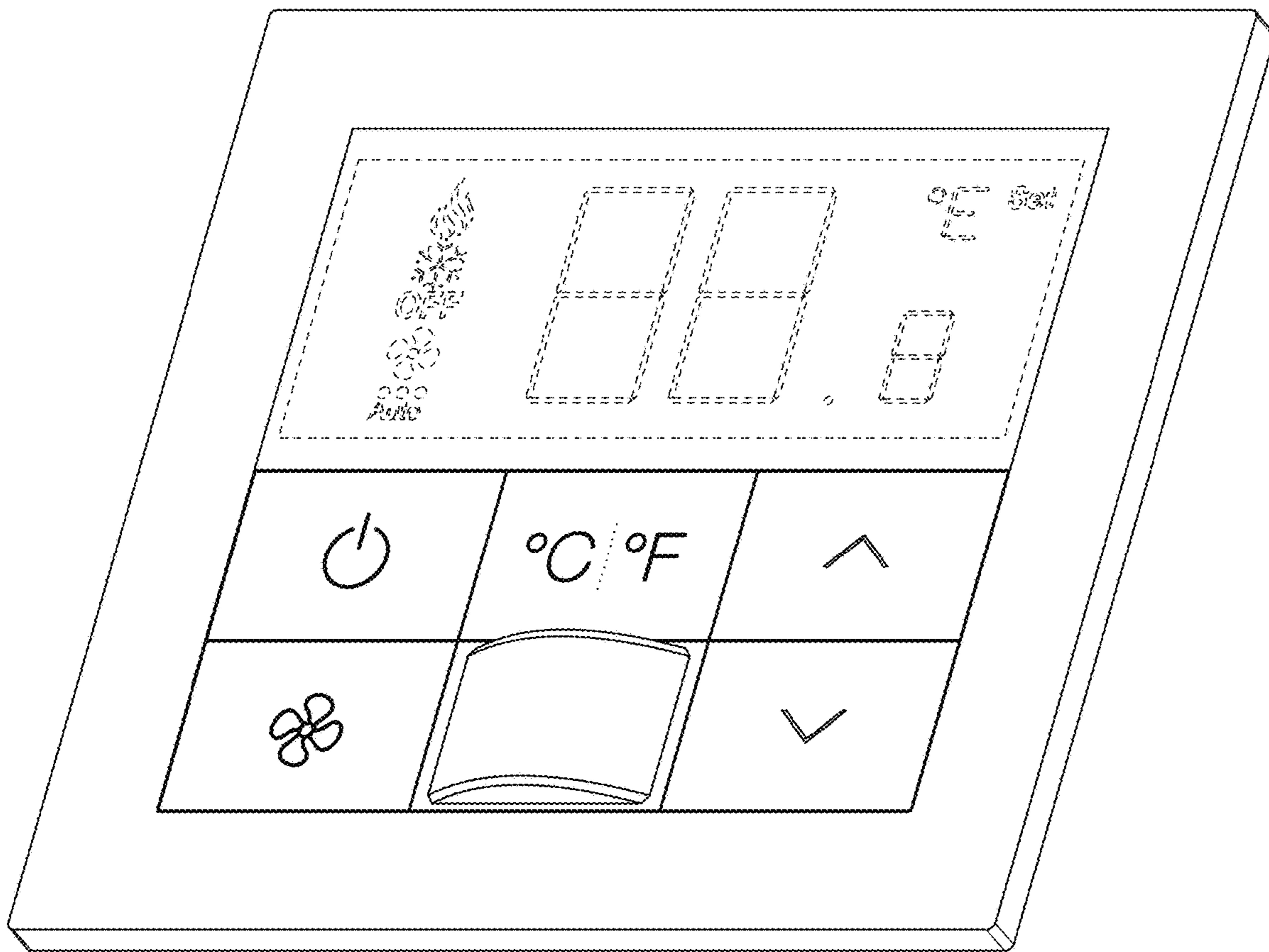


FIG. 1

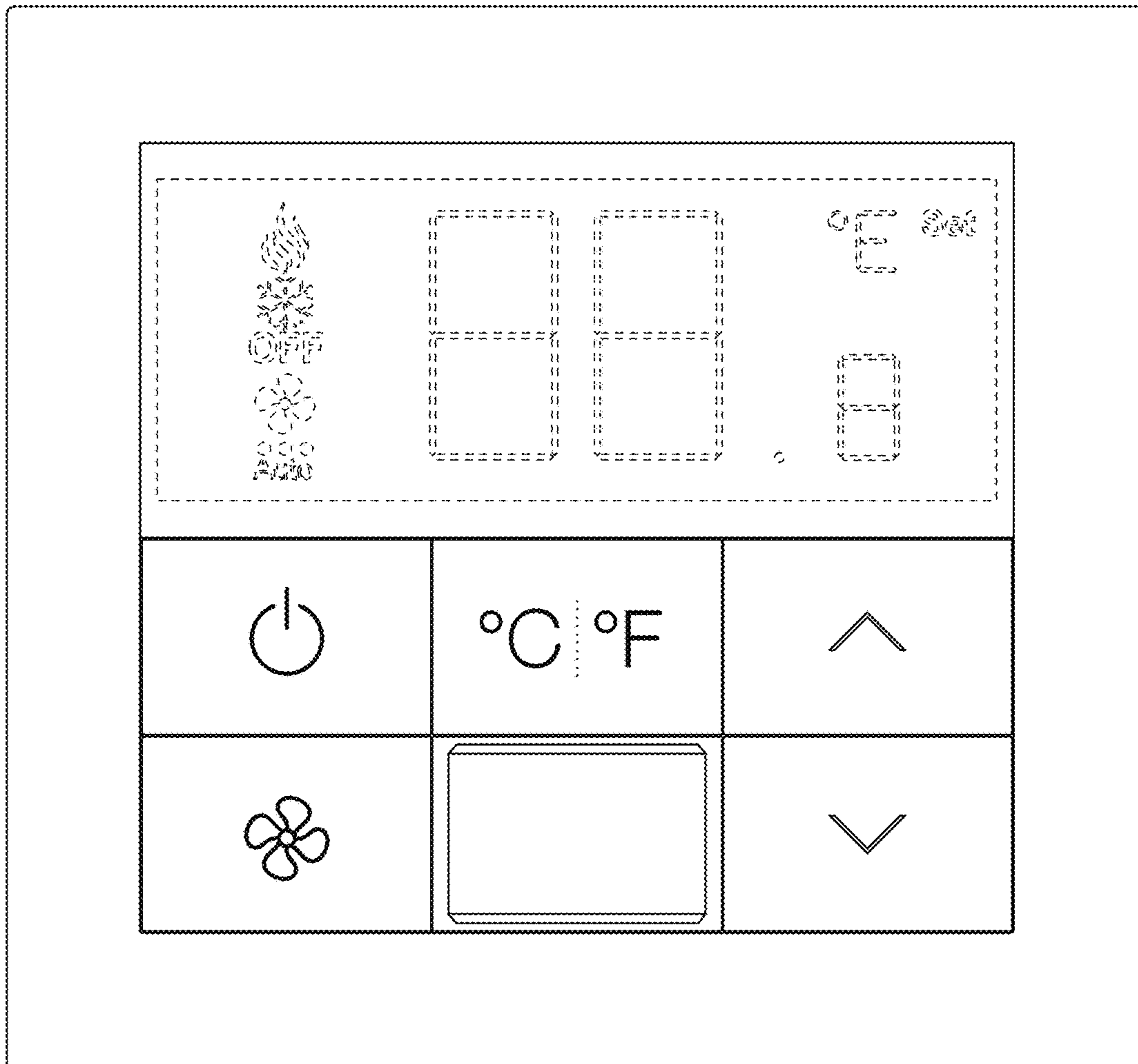


FIG. 2

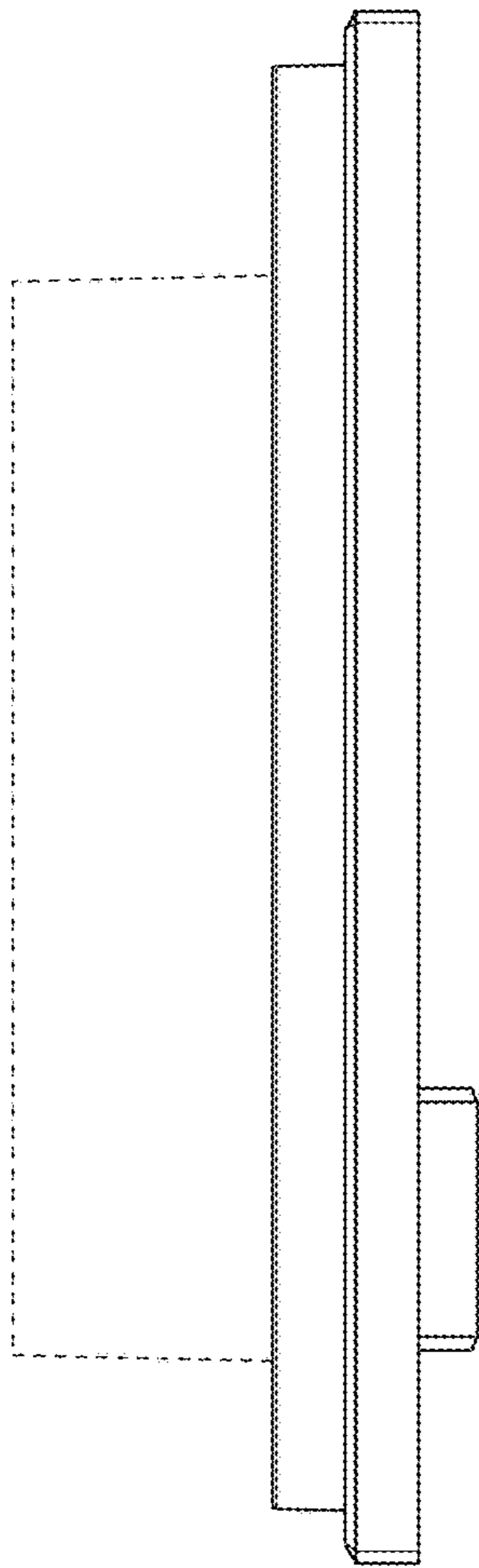


FIG. 3

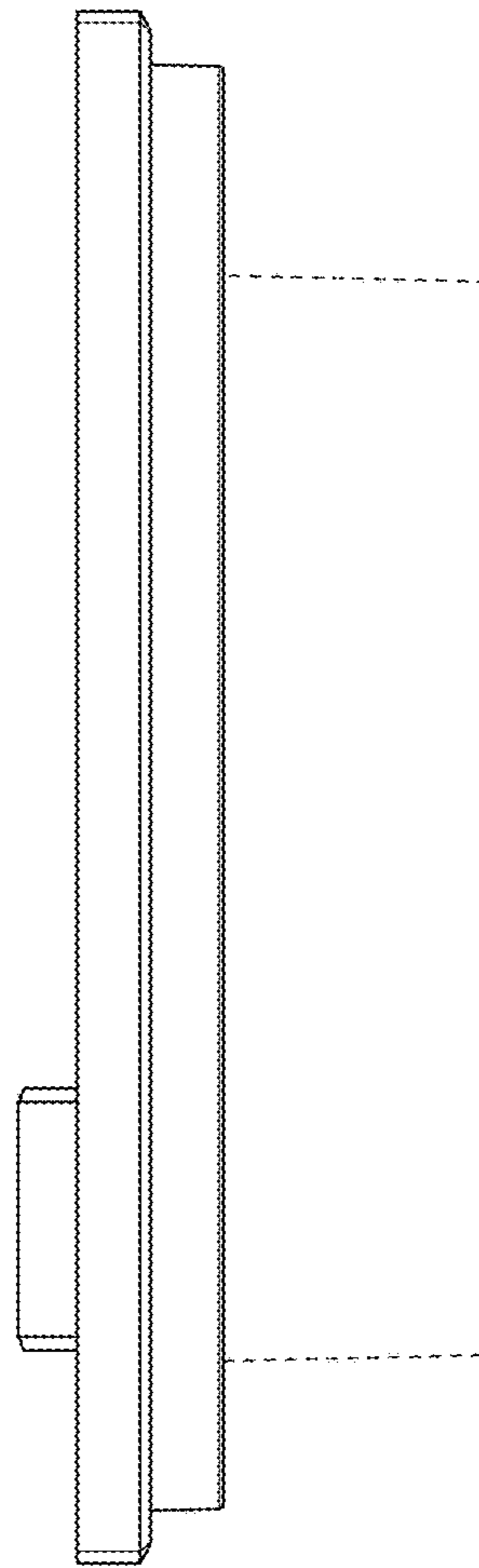


FIG. 4

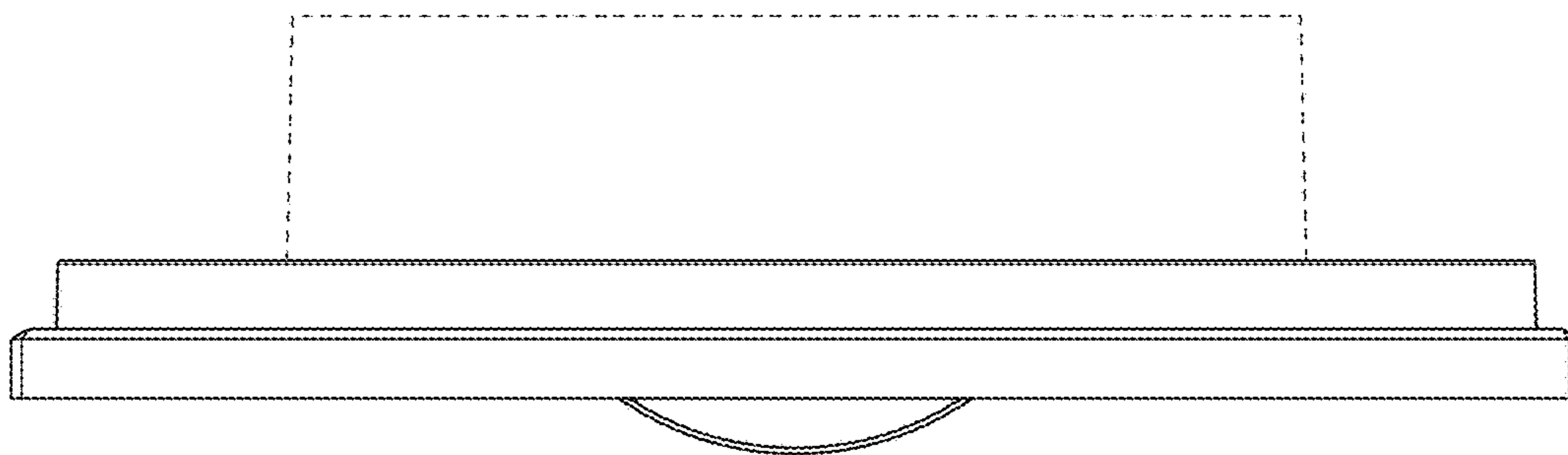


FIG. 5

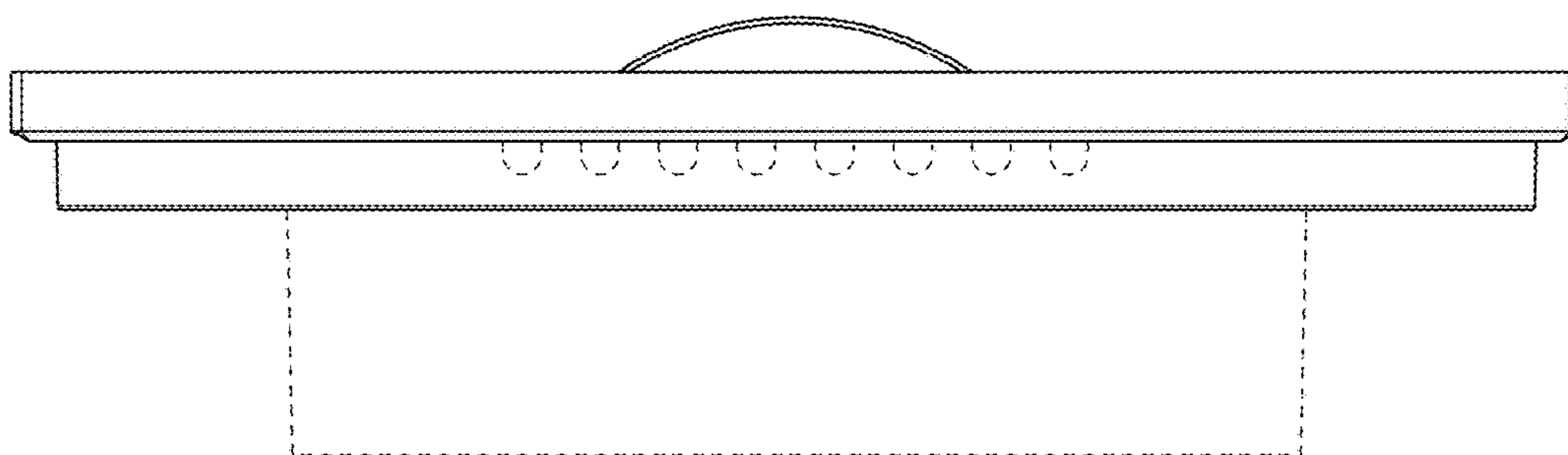


FIG. 6