



US00D799996S

(12) **United States Design Patent**
Jeong

(10) **Patent No.:** **US D799,996 S**

(45) **Date of Patent:** **** Oct. 17, 2017**

(54) **CUP HOLDER FOR TEMPERATURE CONTROL**

Primary Examiner — Antoine D Davis

(74) *Attorney, Agent, or Firm* — KED & Associates, LLP

(71) Applicant: **LG INNOTEK CO., LTD.**, Seoul (KR)

(72) Inventor: **Ki Hyun Jeong**, Seoul (KR)

(57) **CLAIM**

(73) Assignee: **LG INNOTEK CO., LTD.**, Seoul (KR)

I claim the ornamental design for a cup holder for temperature control, as shown and described.

(**) Term: **15 Years**

(21) Appl. No.: **29/560,266**

(22) Filed: **Apr. 5, 2016**

DESCRIPTION

(51) **LOC (10) Cl.** **10-04**

(52) **U.S. Cl.**
USPC **D10/49; D7/620**

(58) **Field of Classification Search**
USPC D7/619.1, 620; D10/46.2, 49, 50
CPC B60N 3/104; F25B 2321/021; F25B 2321/023; F25B 2321/025; F25B 2321/0252; F25B 21/02; F25B 21/04; F25D 21/00; A47G 2023/0275; A47G 2023/0283; A47G 2023/0291; A47J 36/2461; A47J 36/2466; A47J 36/2472
See application file for complete search history.

FIG. 1 is a perspective view of our design;
FIG. 2 is a front view of our design;
FIG. 3 is a rear view of our design;
FIG. 4 is a first side view of our design;
FIG. 5 is a second side view of our design;
FIG. 6 is a top view of our design;
FIG. 7 is a bottom view of our design; and,
FIG. 8 is a perspective view illustrating a state in which fixing wings for fixing the cup holder are opened.
The subject design is a cup holder for temperature control capable of heating or cooling contents of a cup by inserting the cup into an inner space of the cup holder.

(56) **References Cited**

U.S. PATENT DOCUMENTS

9,493,102 B2 * 11/2016 Tang B60N 3/104

* cited by examiner

1 Claim, 8 Drawing Sheets

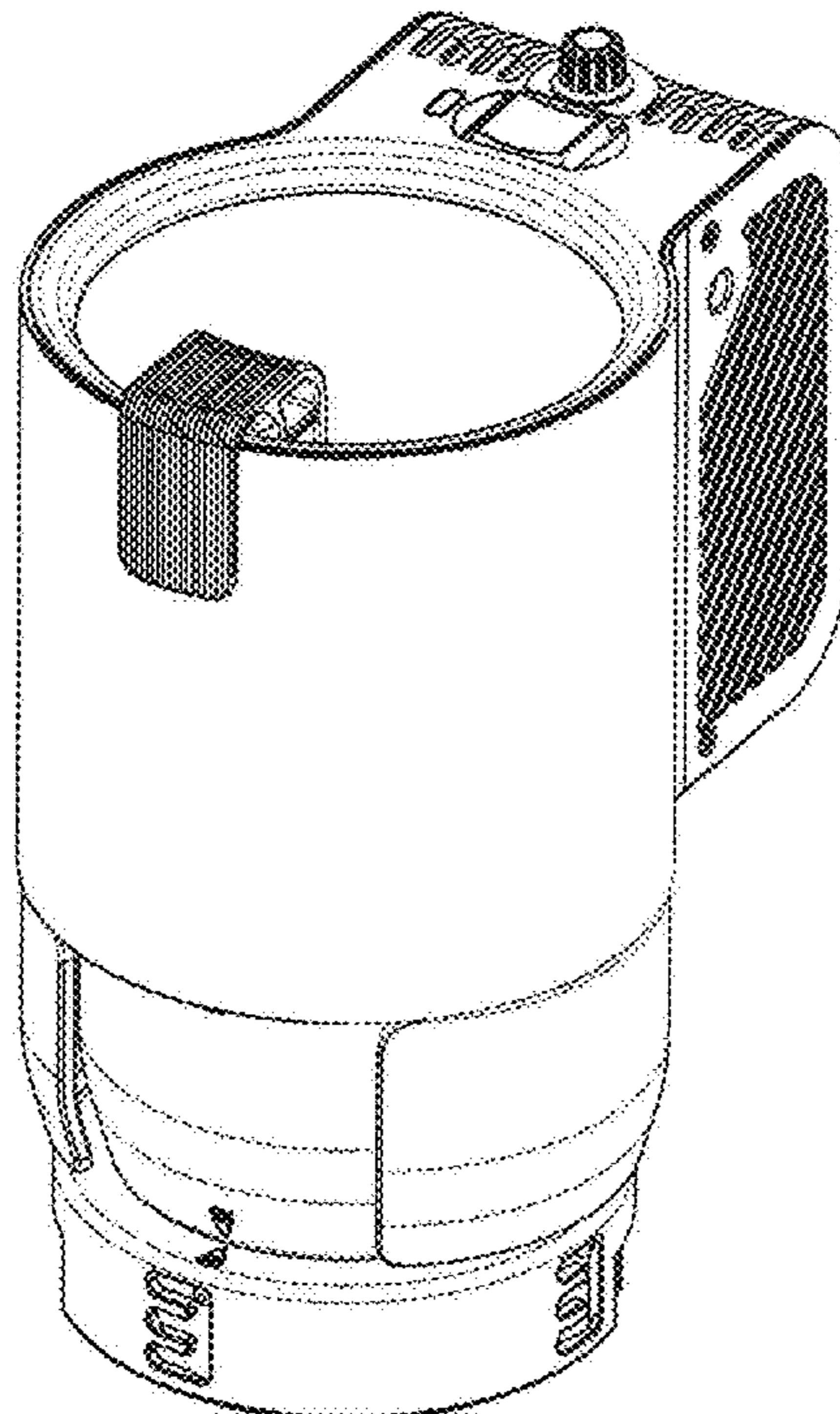


FIG. 1

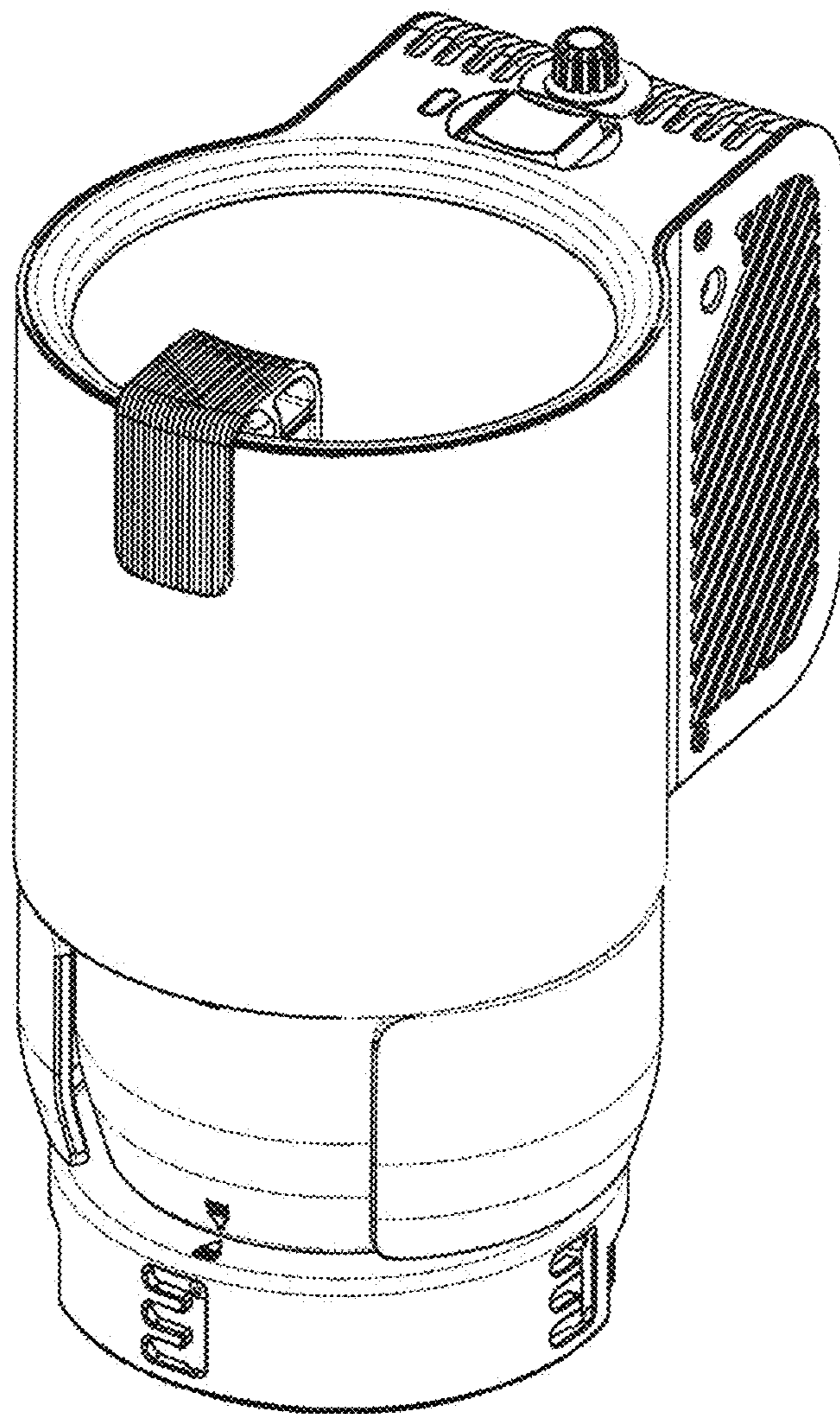


FIG. 2

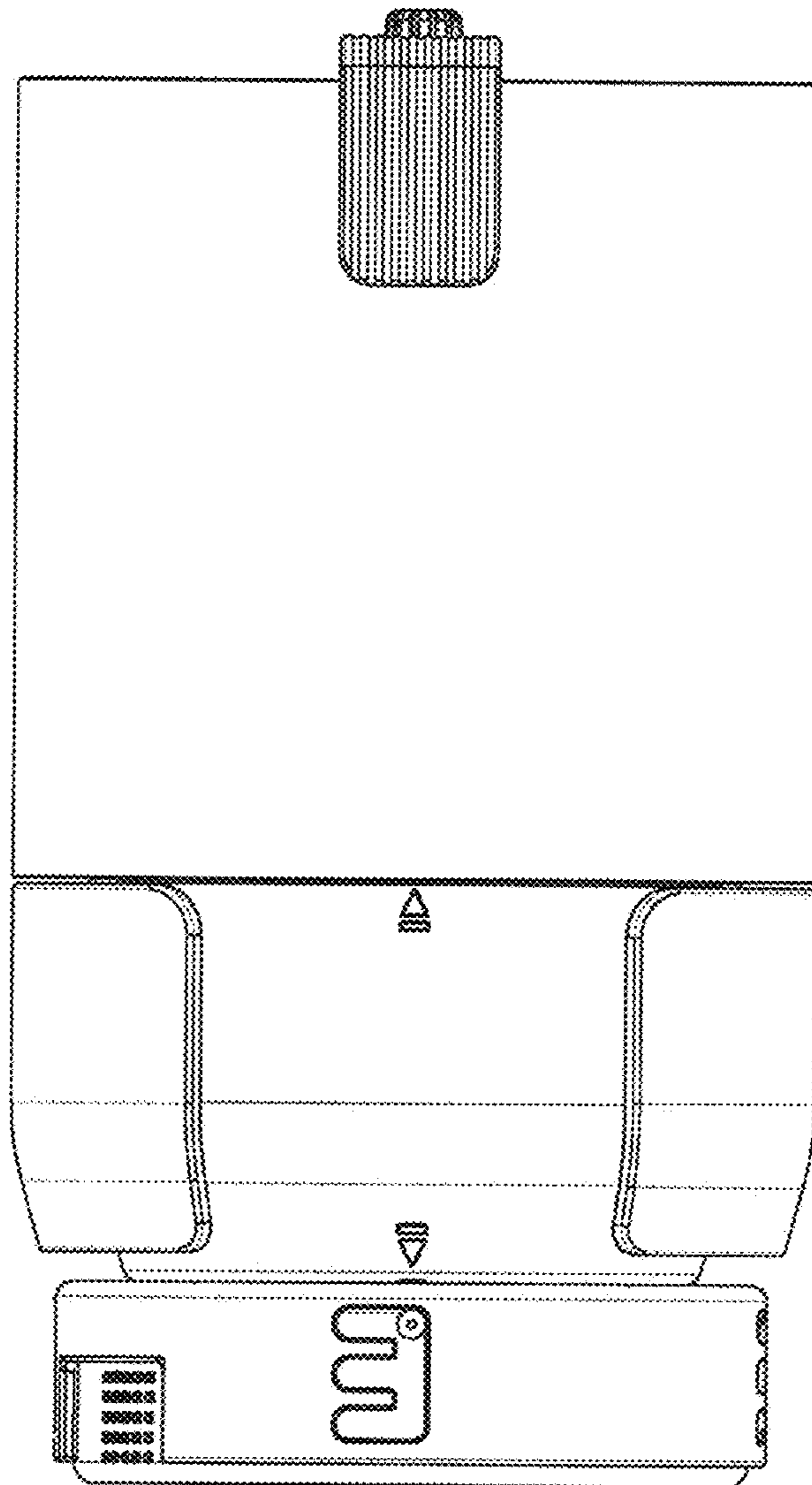


FIG. 3

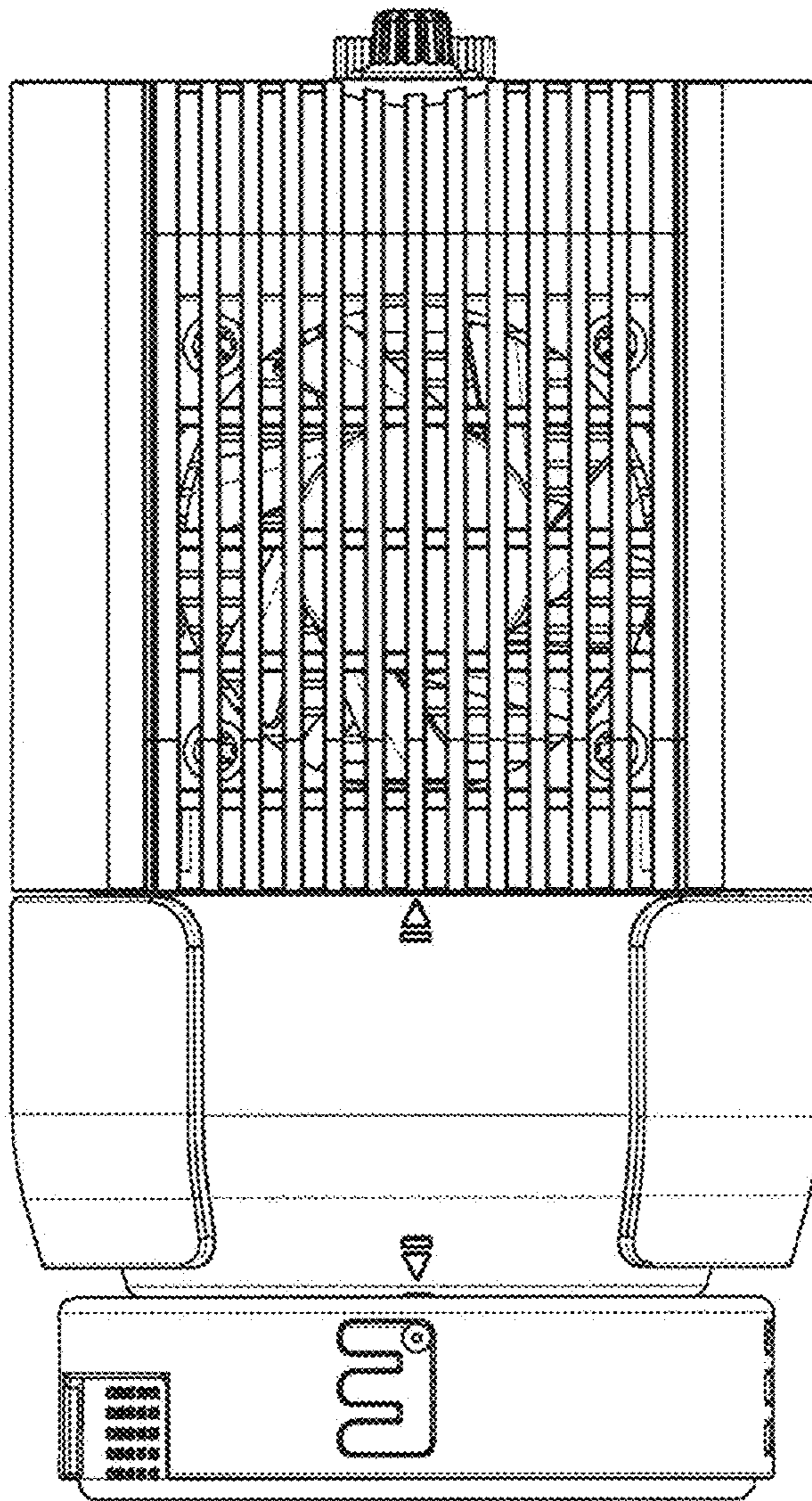


FIG. 4

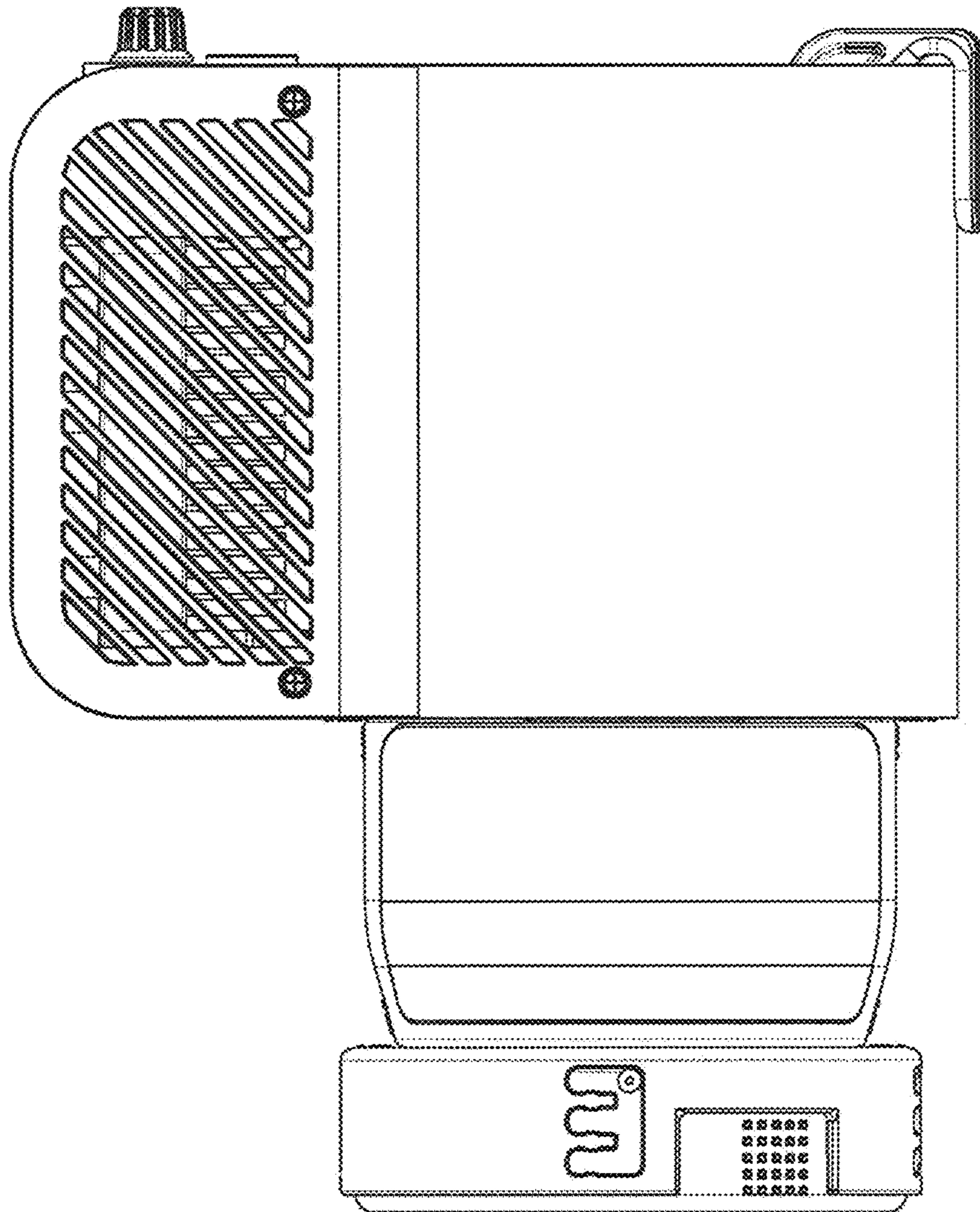


FIG. 5

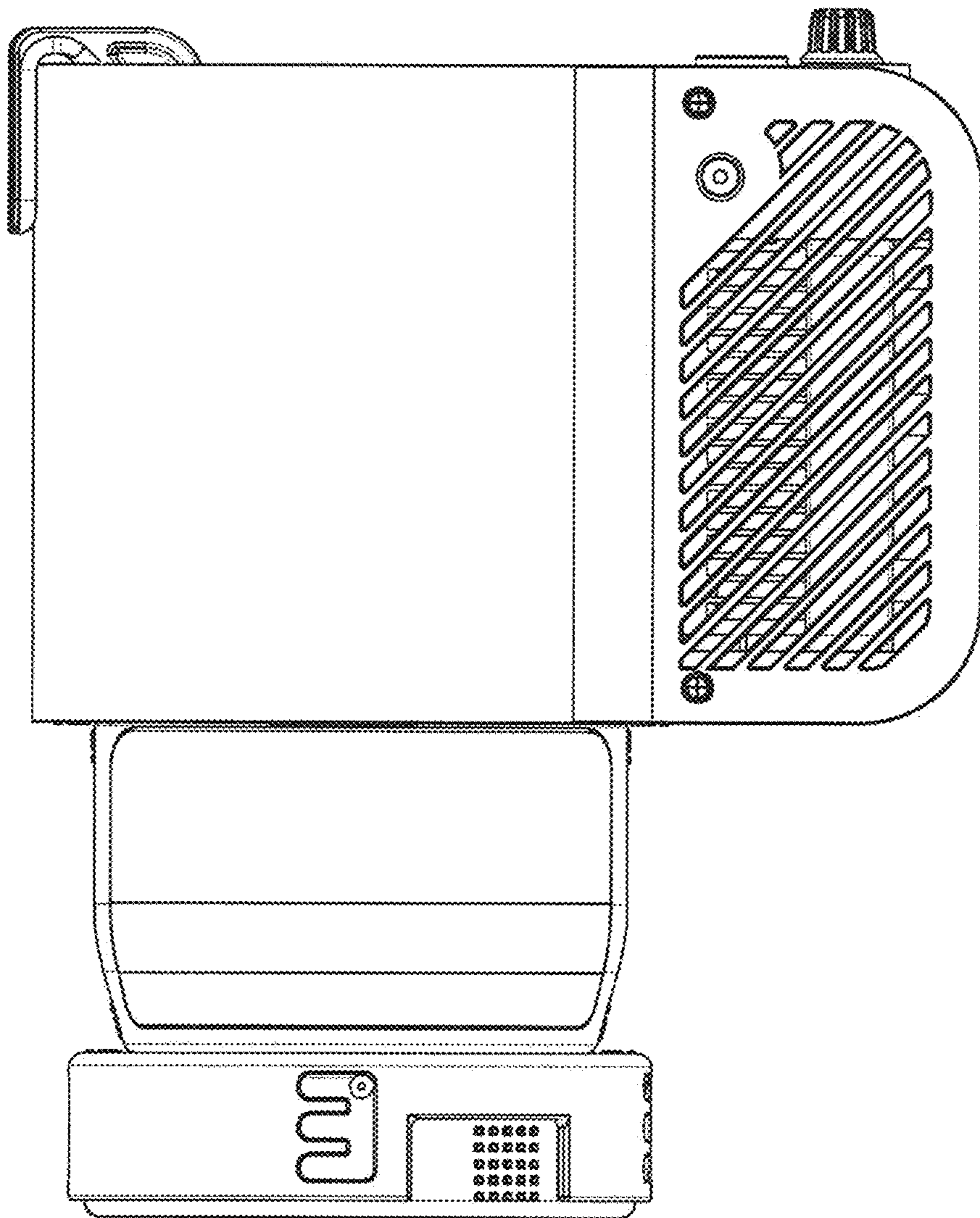


FIG. 6

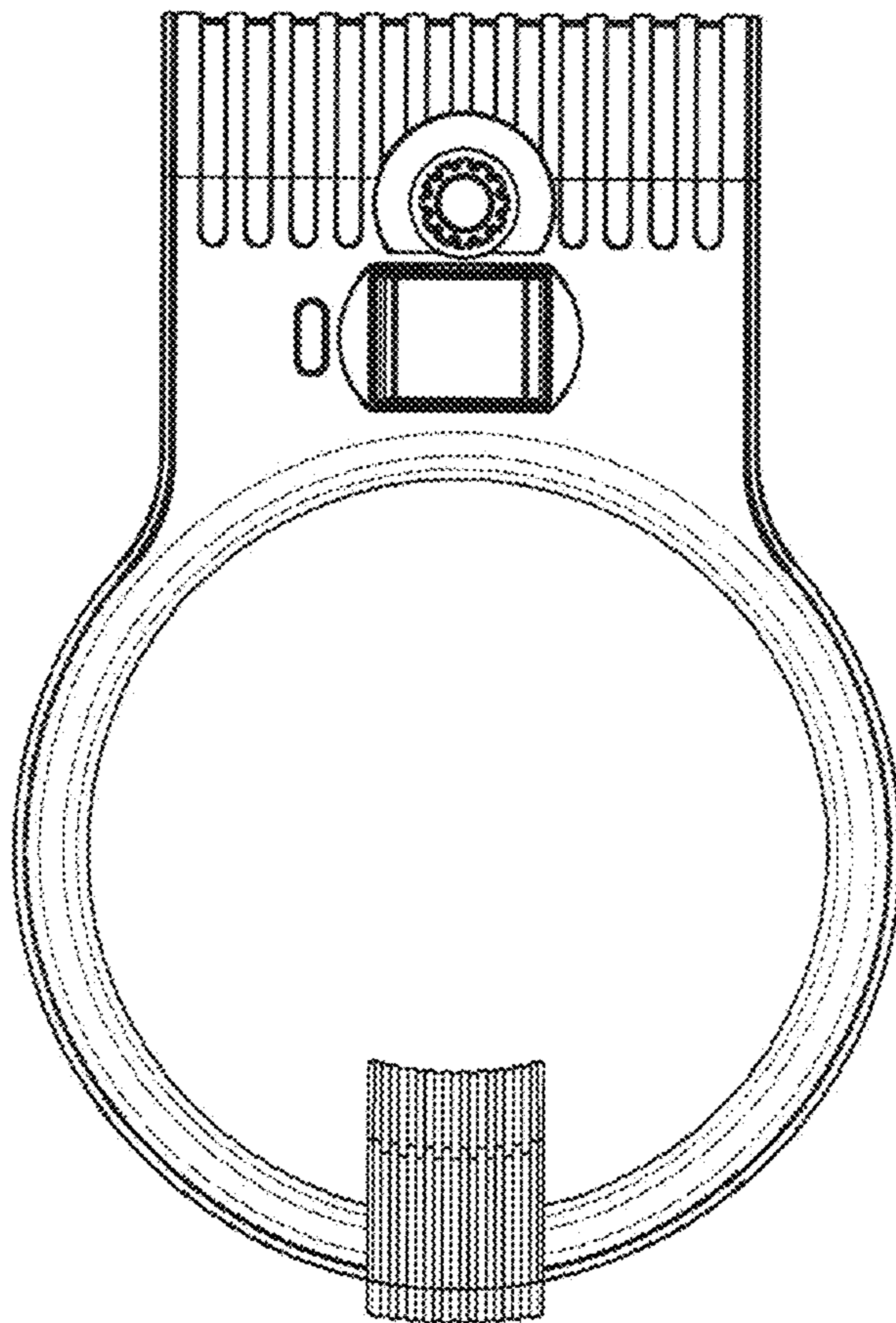


FIG. 7

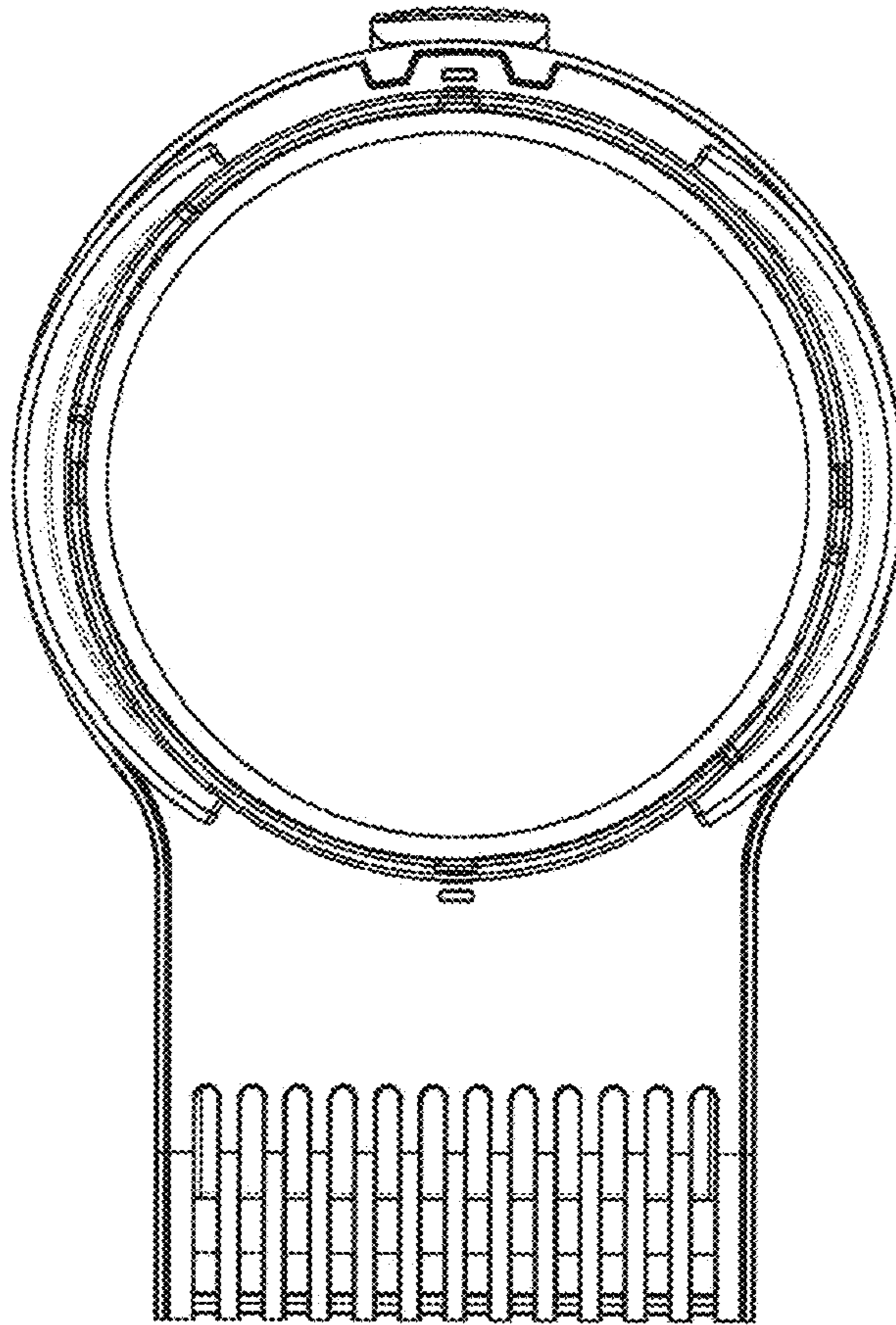
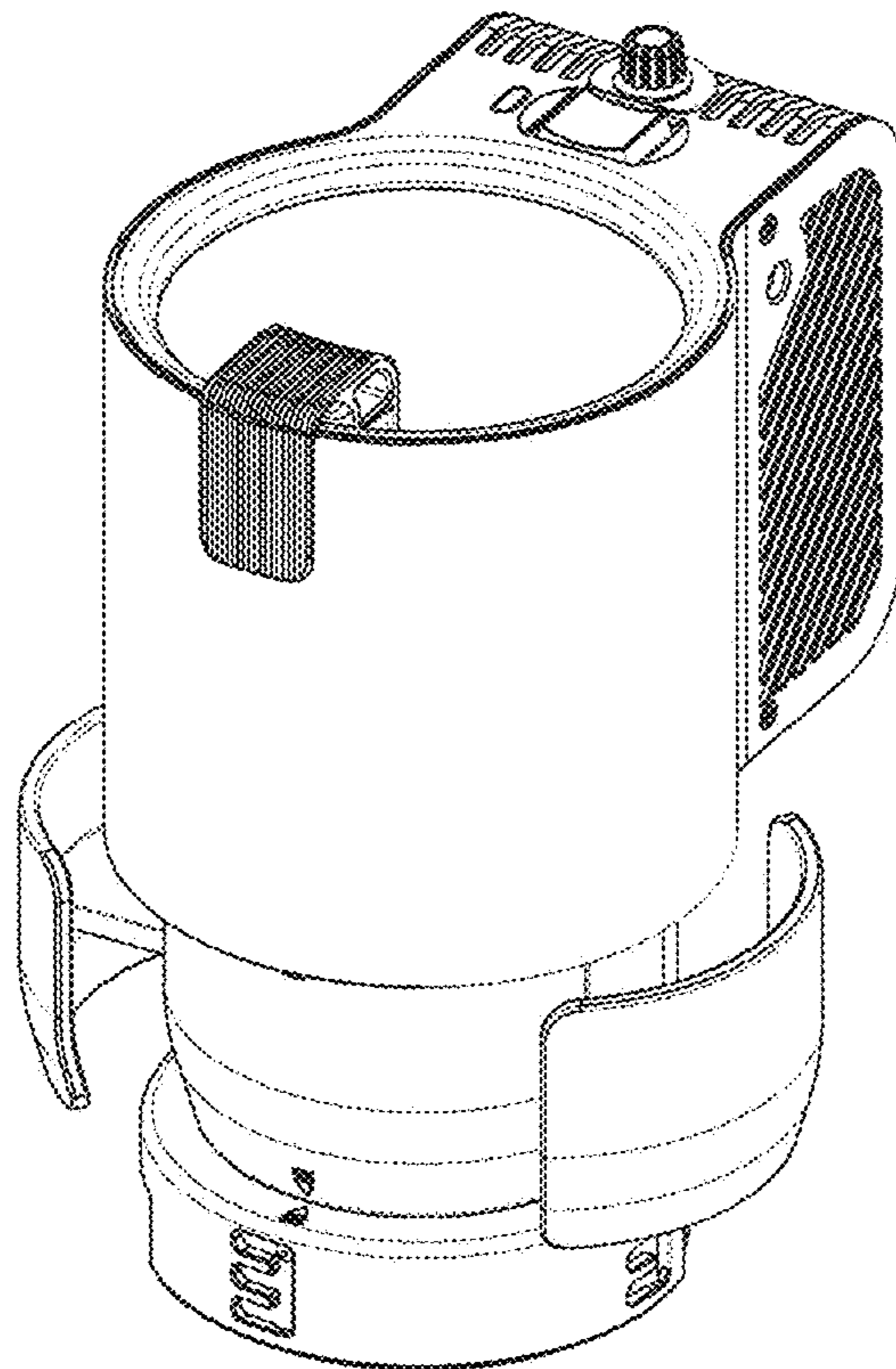


FIG. 8



UNITED STATES PATENT AND TRADEMARK OFFICE
CERTIFICATE OF CORRECTION

PATENT NO. : D799,996 S
APPLICATION NO. : 29/560266
DATED : October 17, 2017
INVENTOR(S) : Ki Hyun Jeong

Page 1 of 1

It is certified that error appears in the above-identified patent and that said Letters Patent is hereby corrected as shown below:

On the Title Page

Please insert Item (30):

-- (30) **Foreign Application Priority Data**

December 10, 2015 (KR)..... 30-2015-0063060 --

Signed and Sealed this
Twenty-sixth Day of December, 2017



Joseph Matal

*Performing the Functions and Duties of the
Under Secretary of Commerce for Intellectual Property and
Director of the United States Patent and Trademark Office*