



US00D799993S

(12) **United States Design Patent** (10) **Patent No.:** **US D799,993 S**
Iritani (45) **Date of Patent:** **** Oct. 17, 2017**

(54) **LASER EMITTER/RECEIVER**

(71) Applicant: **Konica Minolta, Inc.**, Chiyoda-ku,
Tokyo (JP)

(72) Inventor: **Yu Iritani**, Tokyo (JP)

(73) Assignee: **Konica Minolta, Inc.**, Chiyoda-ku,
Tokyo (JP)

(**) Term: **15 Years**

(21) Appl. No.: **29/601,373**

(22) Filed: **Apr. 21, 2017**

Related U.S. Application Data

(62) Division of application No. 29/551,630, filed on Jan.
15, 2016, now Pat. No. Des. 788,624.

(30) **Foreign Application Priority Data**

Jul. 16, 2015 (JP) 2015-015918
Jul. 16, 2015 (JP) 2015-015919
Jul. 16, 2015 (JP) 2015-015920
Jul. 16, 2015 (JP) 2015-015921

(51) **LOC (10) Cl.** **10-07**

(52) **U.S. Cl.**
USPC **D10/46**

(58) **Field of Classification Search**
USPC D10/61, 62, 65, 66, 70, 74, 106.1, 106.3,
D10/106.5, 106, 6, 106.7, 113.2;
D14/356, 358; D16/221, 222, 225;
D18/18, 19, 56

CPC B60Q 1/04; B60Q 1/26; H05K 7/2027;
H05K 7/20581; F24F 7/06; F24F 7/065
See application file for complete search history.

(56) **References Cited**

U.S. PATENT DOCUMENTS

D357,201 S 4/1995 Novack
D483,281 S 12/2003 Cobigo

D485,773 S * 1/2004 Chen D10/106.6
D489,390 S * 5/2004 Ohshima D16/225
D504,831 S * 5/2005 Snider D10/69
D509,157 S * 9/2005 Wu D10/69
D514,463 S * 2/2006 Levine D10/113.2
D541,684 S * 5/2007 Sandy D10/70
D563,247 S * 3/2008 Ishii D10/66
D573,045 S * 7/2008 Levinson D10/66
D642,485 S * 8/2011 Riegl D10/66
D651,889 S * 1/2012 Mahaffey D8/330
D669,894 S * 10/2012 Cobbett D14/358
D670,180 S * 11/2012 Ishii D10/66
D689,385 S * 9/2013 Haws D10/106.8

(Continued)

OTHER PUBLICATIONS

“3-D LiDAR.” Konica Minolta. <http://www.konicaminolta.com/about/research/future/3dir/index.html>.

(Continued)

Primary Examiner — Manpreet S Matharu

Assistant Examiner — Suzanne E Tisdell

(74) *Attorney, Agent, or Firm* — Buchanan, Ingersoll &
Rooney PC

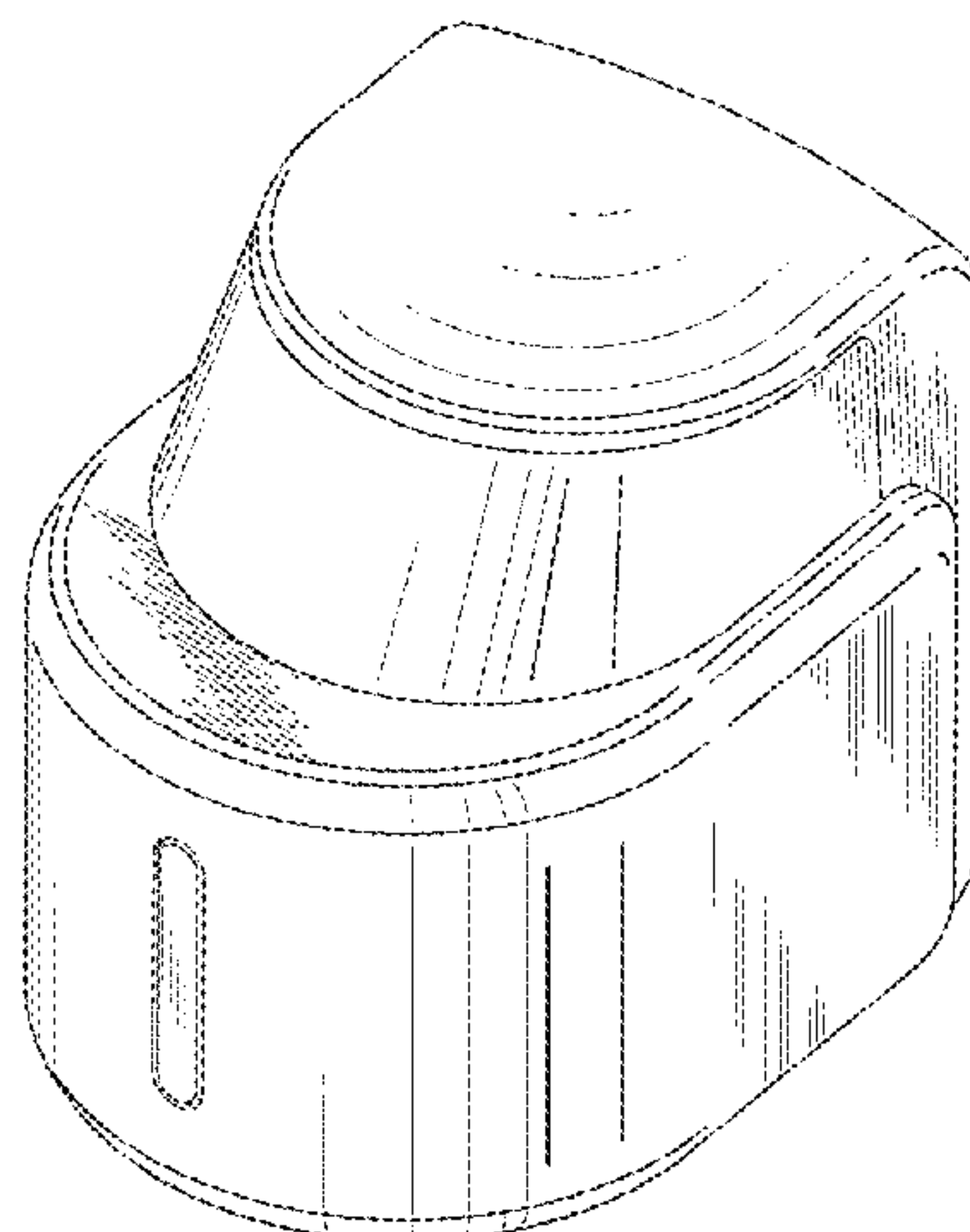
(57) **CLAIM**

The ornamental design for a laser emitter/receiver, as shown
and described.

DESCRIPTION

FIG. 1 is a perspective view of a laser emitter/receiver
showing my new design;
FIG. 2 is a front view thereof;
FIG. 3 is a back view thereof;
FIG. 4 is a top view thereof;
FIG. 5 is a bottom view thereof;
FIG. 6 is a right view thereof; and,
FIG. 7 is a left view thereof.

1 Claim, 4 Drawing Sheets



(56)

References Cited

U.S. PATENT DOCUMENTS

D692,333 S * 10/2013 Moeller D10/106.8
D710,228 S 8/2014 Burke
D753,520 S * 4/2016 Takenaka D10/106.1
D758,230 S * 6/2016 Hojmose D10/106.5
D764,463 S * 8/2016 Dwivedula D14/358
D766,753 S * 9/2016 Ishii D10/66
D766,756 S * 9/2016 Franc D10/70
D767,419 S * 9/2016 Matteo D10/70
D773,329 S 12/2016 Olodort

OTHER PUBLICATIONS

Konica Minolta Holdings, Inc.'s Homepage, with partial translation of relevant portion provided by Konica Minolta Holdings, Inc. (3 pages).

Japanese Office Action issued in corresponding Japanese Design Appln. No. 2015-015918 dated Mar. 28, 2016, with English-language translation (2 pages).

Japanese Office Action issued in corresponding Japanese Design Appln. No. 2015-015919 dated Apr. 11, 2016, with English-language translation (2 pages).

Japanese Office Action issued in corresponding Japanese Design Appln. No. 2015-015920 dated Apr. 11, 2016, with English-language translation (2 pages).

Japanese Office Action issued in corresponding Japanese Design Appln. No. 2015-015921 dated Apr. 11, 2016, with English-language translation (2 pages).

* cited by examiner

FIG. 1

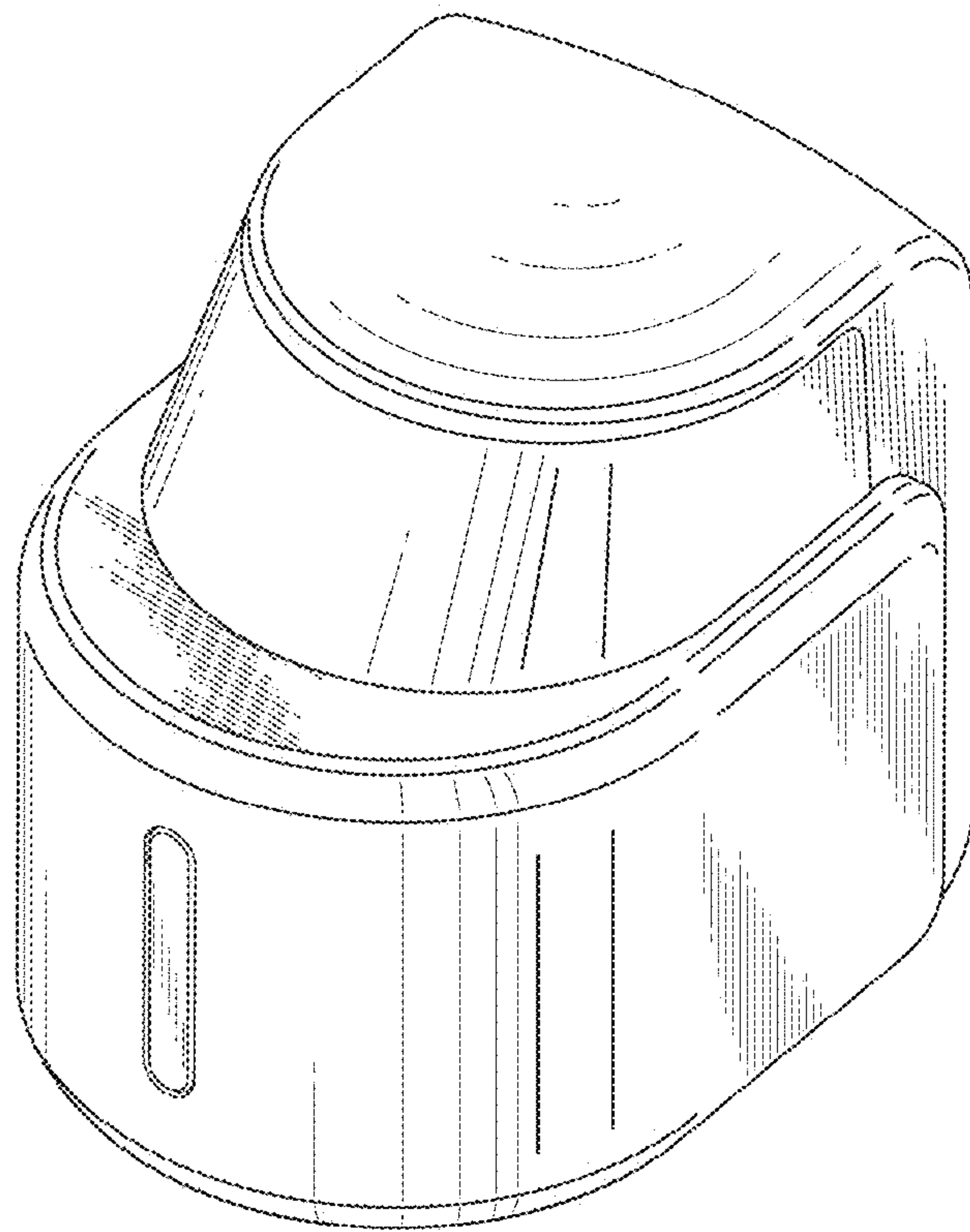


FIG. 2

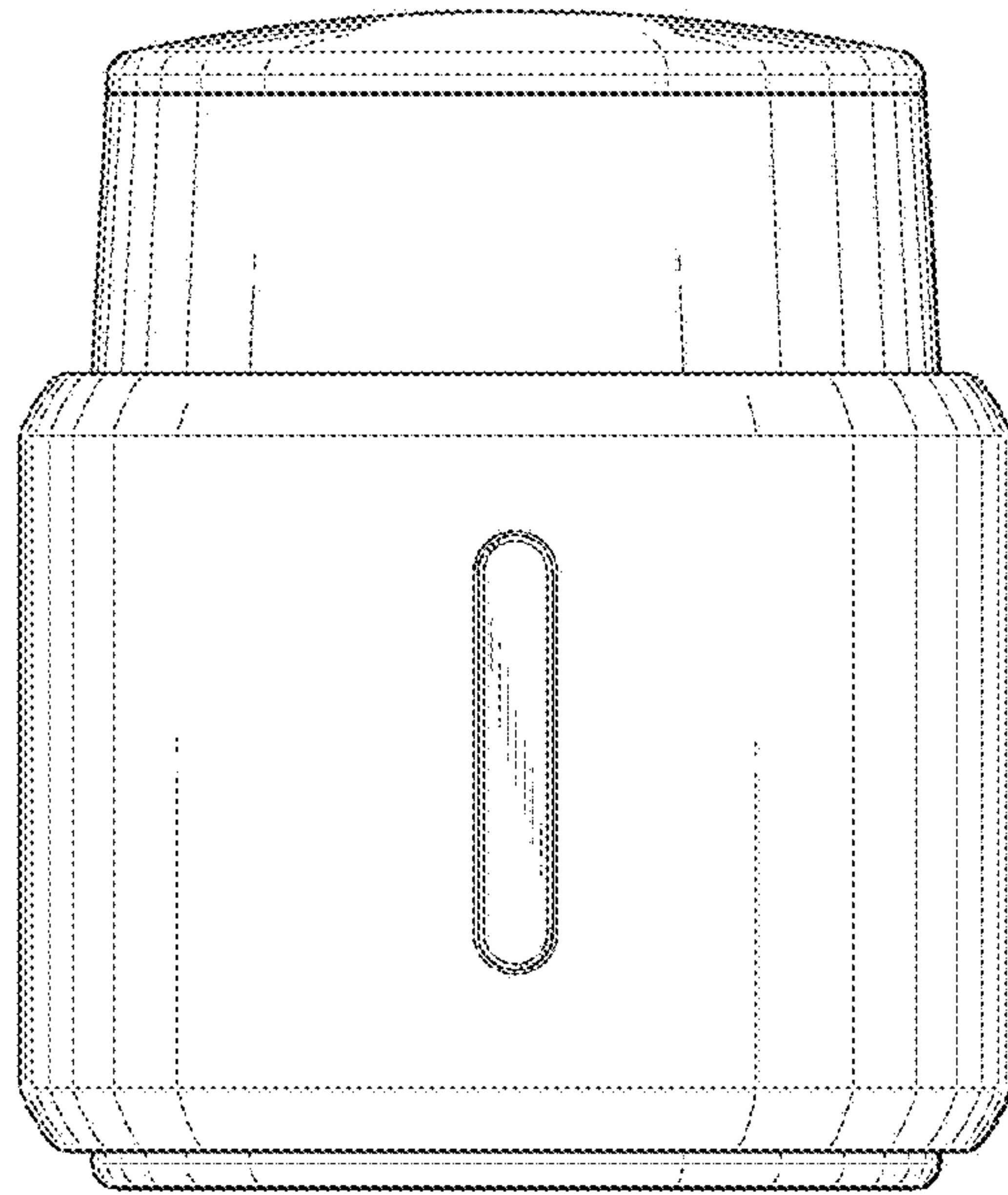


FIG. 3

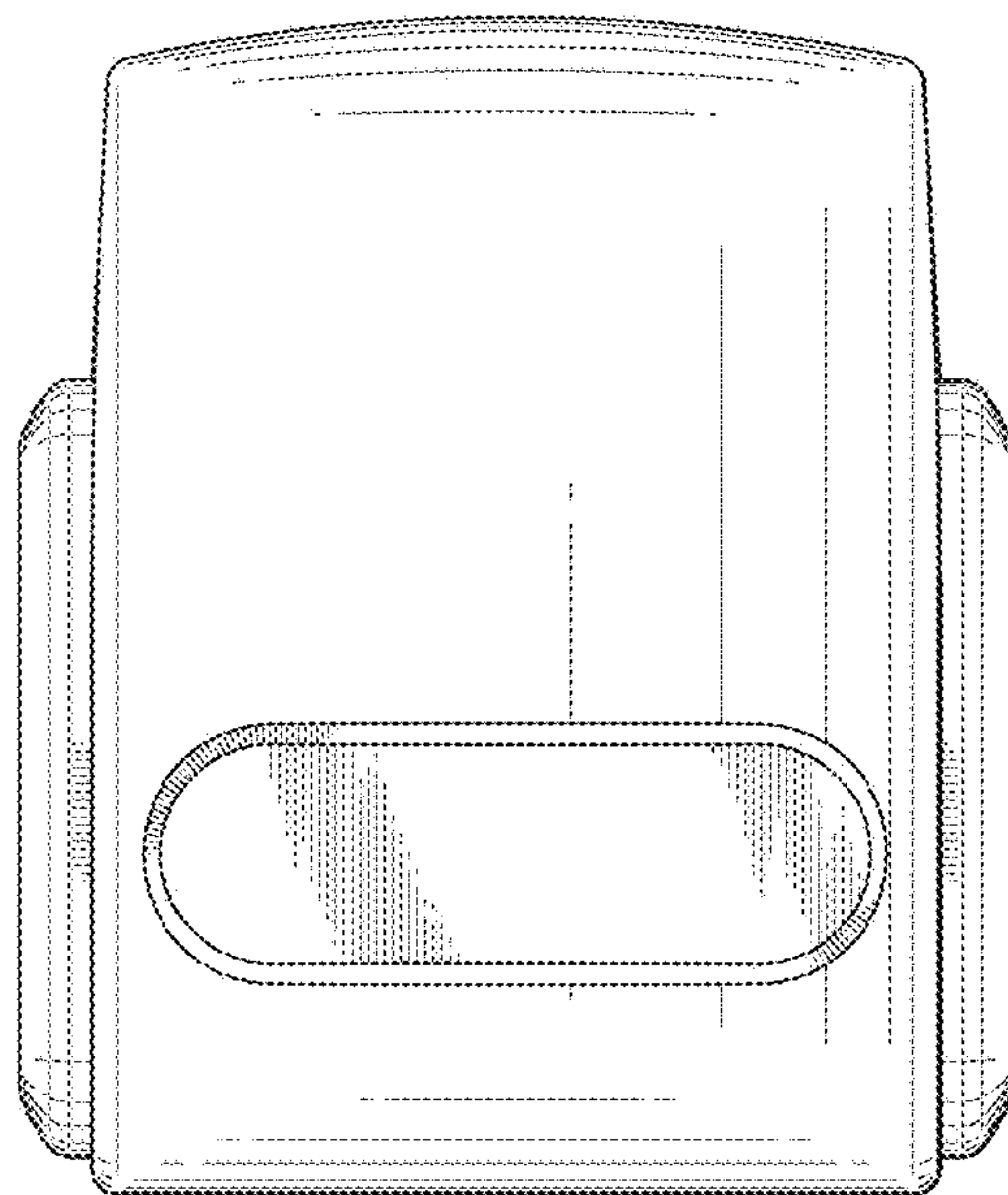


FIG. 4

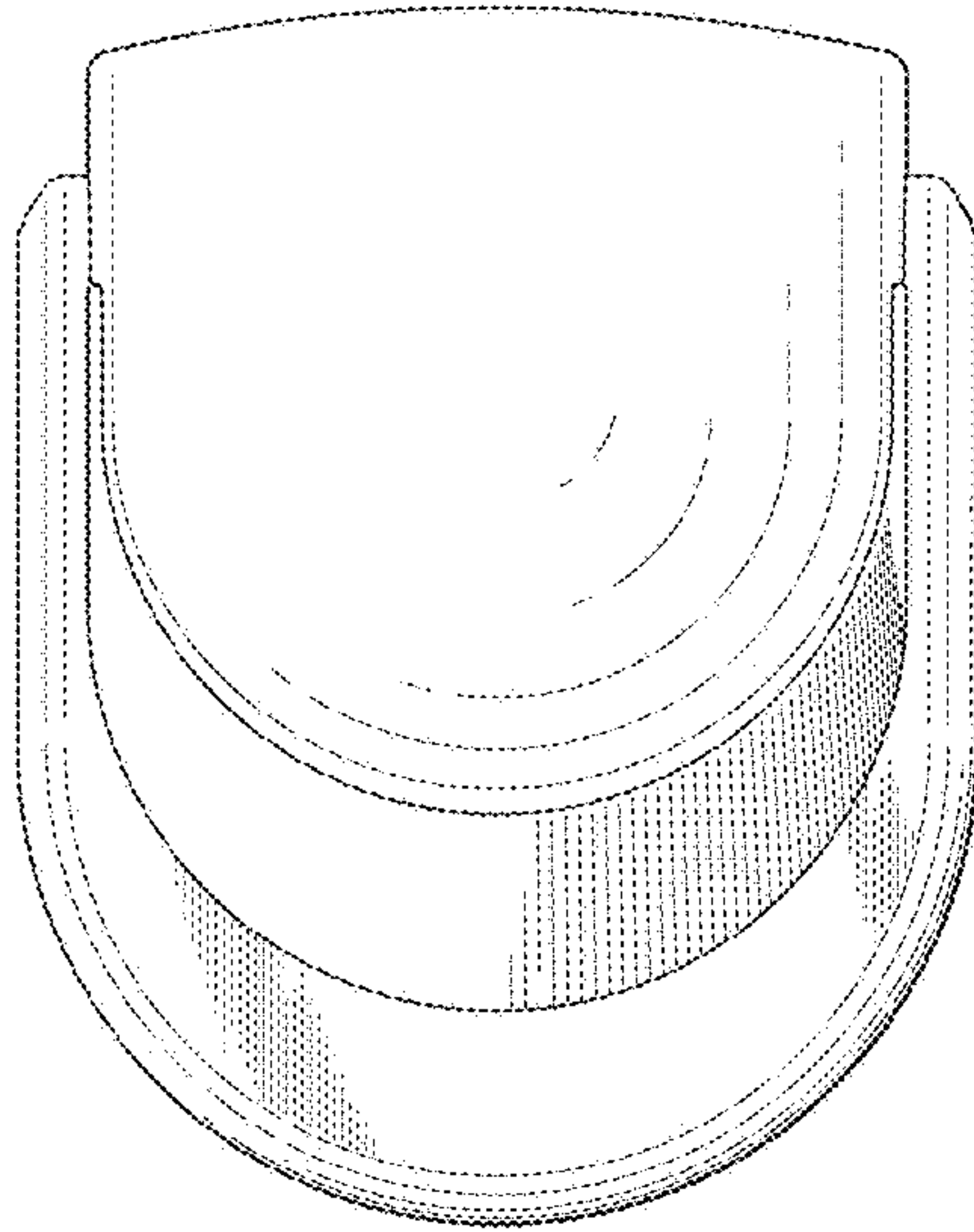


FIG. 5

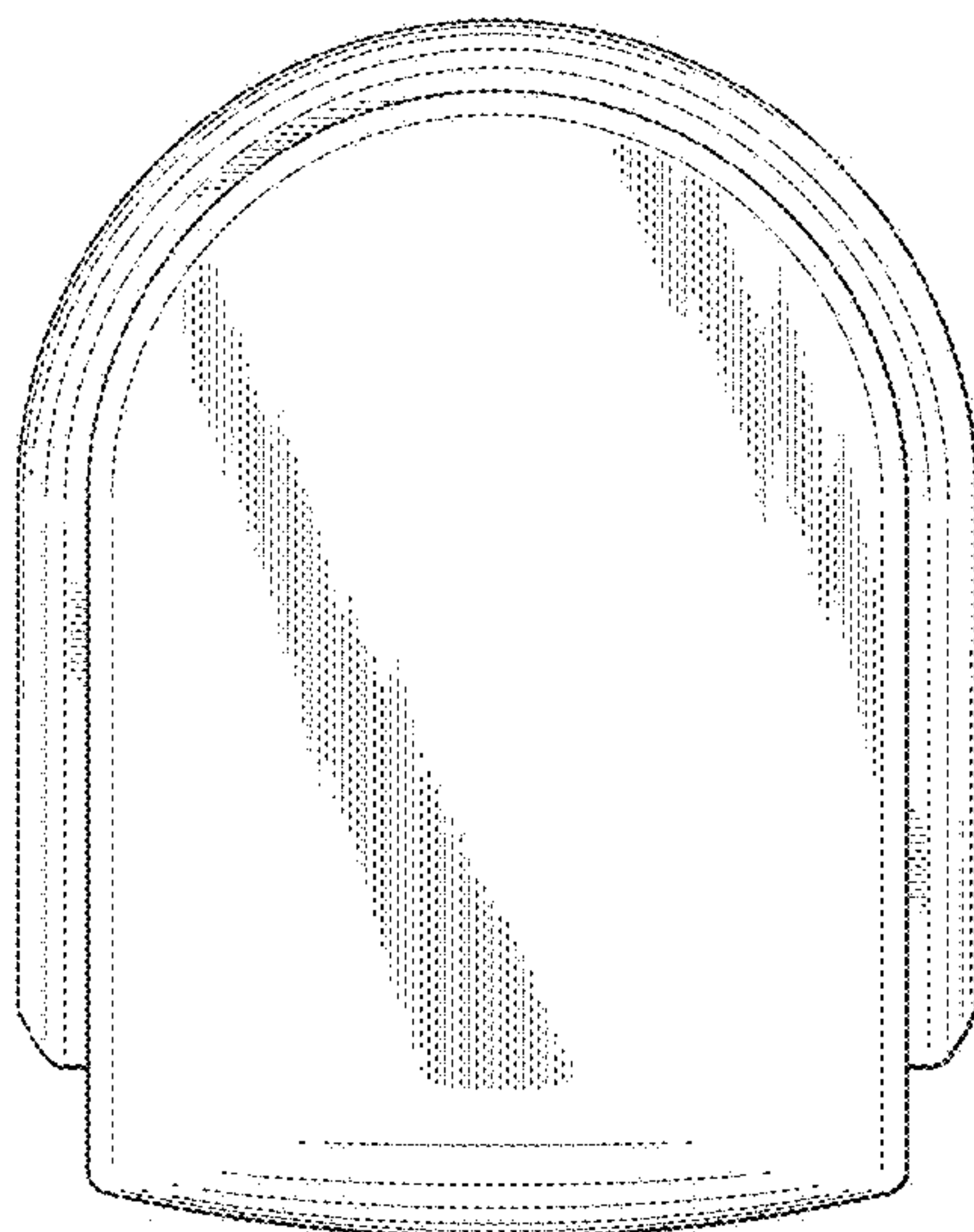


FIG. 6

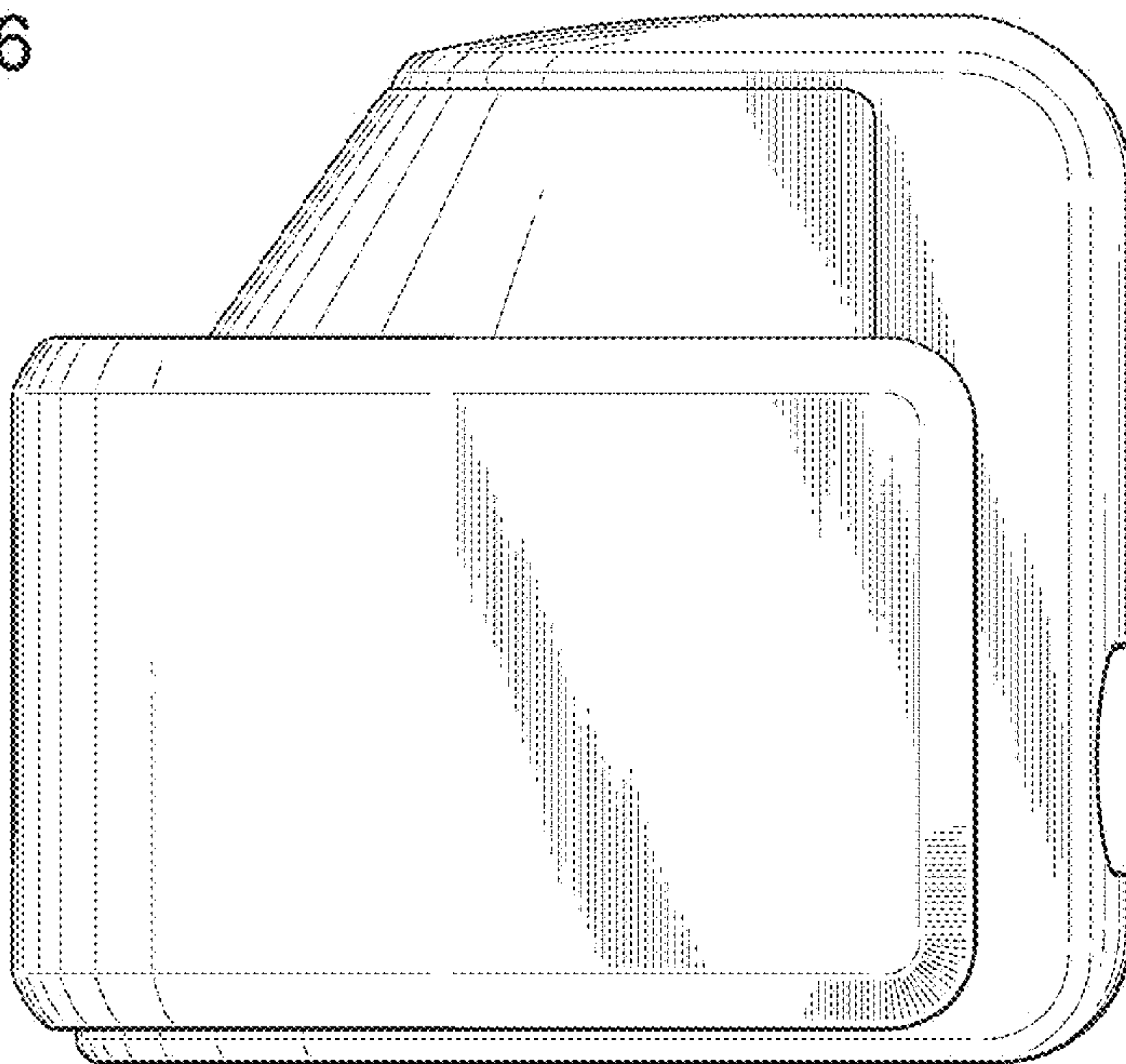


FIG. 7

