



US00D799990S

(12) **United States Design Patent**  
**Behling**

(10) **Patent No.:** **US D799,990 S**

(45) **Date of Patent:** **\*\* Oct. 17, 2017**

(54) **WATCH**

(71) Applicant: **LVMH SWISS MANUFACTURES SA, La Chaux-de-Fonds (CH)**

(72) Inventor: **Christoph Behling, London (GB)**

(73) Assignee: **LVMH SWISS MANUFACTURES SA, La Chaux-de-Fonds (CH)**

(\*\*) Term: **15 Years**

(21) Appl. No.: **29/562,591**

(22) Filed: **Apr. 27, 2016**

(30) **Foreign Application Priority Data**

Oct. 29, 2015 (CH) ..... DM/088 156

(51) **LOC (10) Cl.** ..... **10-02**

(52) **U.S. Cl.**  
USPC ..... **D10/38**

(58) **Field of Classification Search**  
USPC ..... D10/30-39, 1-29, 122-132  
CPC ..... G04B 17/00; G04B 17/02; G04B 17/005;  
G04B 17/285; G04B 37/00; G04B 37/0008; G04B 37/0058; G04B 45/00;  
G04B 45/038; G04B 45/0069; G04B 45/0076; G04B 45/02; G04B 29/00  
See application file for complete search history.

(56) **References Cited**

**U.S. PATENT DOCUMENTS**

D285,422 S *	9/1986	Grimes	.....	D10/32
D327,440 S *	6/1992	Galli	.....	D10/126
D445,342 S *	7/2001	Clerc	.....	D10/30
D445,344 S *	7/2001	Haquet	.....	D10/30
D576,906 S *	9/2008	Calvani	.....	D10/128

D576,907 S *	9/2008	Calvani	.....	D10/128
D578,032 S *	10/2008	Calvani	.....	D10/128
D578,921 S *	10/2008	Calvani	.....	D10/128
D579,812 S *	11/2008	Calvani	.....	D10/128
D579,813 S *	11/2008	Calvani	.....	D10/128
D595,596 S *	7/2009	El Kadiri	.....	D10/38
D605,533 S *	12/2009	Schoepfer	.....	D10/38
D613,186 S *	4/2010	Behling	.....	D10/38
D618,118 S *	6/2010	Dolce	.....	D10/38
D621,284 S *	8/2010	Cerrato	.....	D10/38
D640,144 S *	6/2011	Tonohori	.....	D10/32
D664,864 S *	8/2012	Kawashima	.....	D10/32
D694,655 S *	12/2013	Rufenacht	.....	D10/38
D700,072 S *	2/2014	Arellano	.....	D10/38
D701,465 S *	3/2014	Ganz	.....	D10/38
D726,056 S *	4/2015	Riddiford	.....	D11/3
D732,982 S *	6/2015	Monachon	.....	D10/38

(Continued)

*Primary Examiner* — Susan Bennett Hattan

*Assistant Examiner* — Jennifer Wright

(74) *Attorney, Agent, or Firm* — Brown Rudnick LLP;  
Mark S. Leonardo

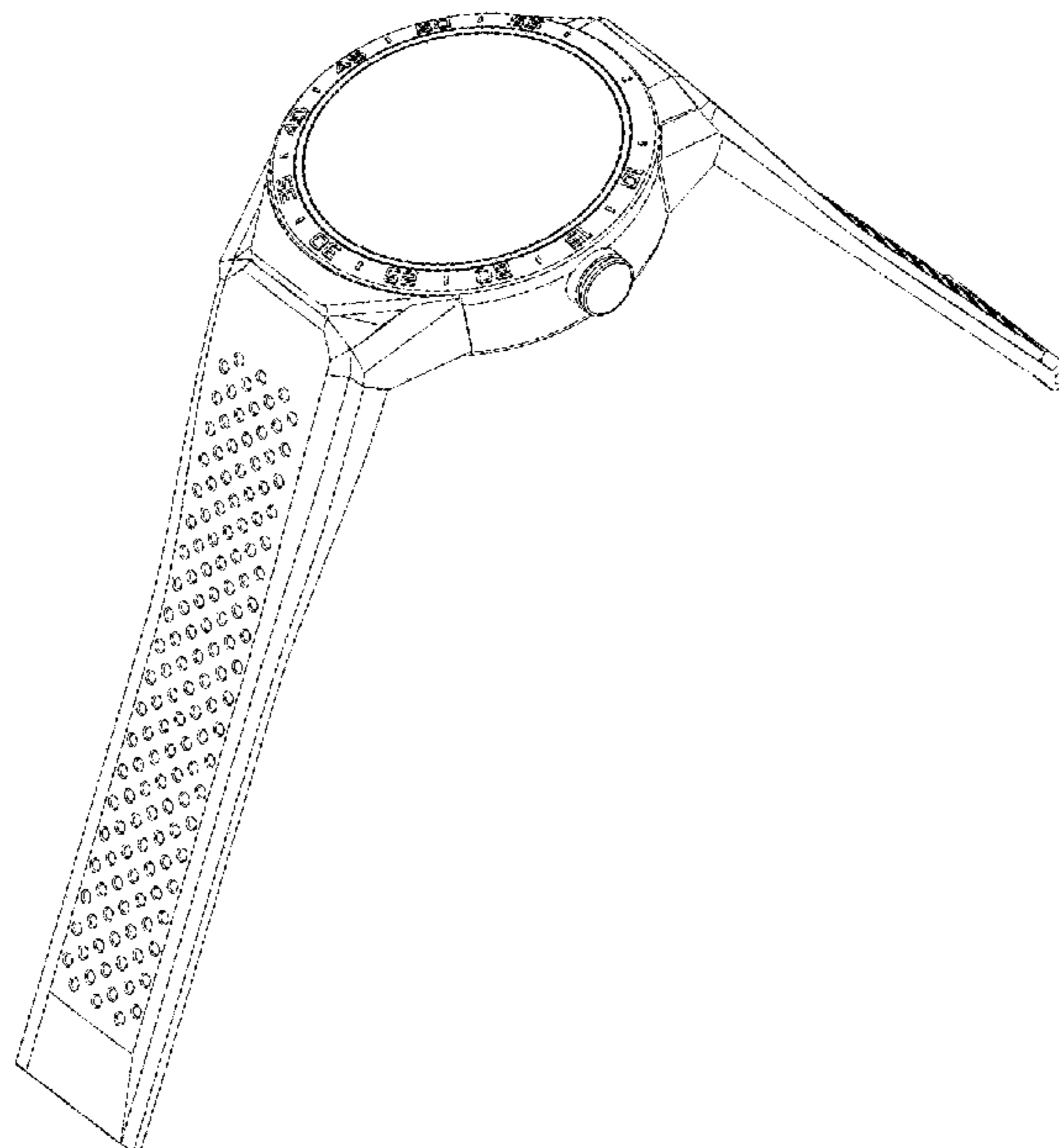
(57) **CLAIM**

The ornamental design for a watch, as shown and described.

**DESCRIPTION**

FIG. 1 illustrates a left side view of a watch employing an ornamental design in accordance with the present invention; FIG. 2 illustrates a right side view of the watch of FIG. 1; FIG. 3 illustrates a bottom side view of the watch of FIG. 1; FIG. 4 illustrates a top side view of the watch of FIG. 1; FIG. 5 illustrates a back view of the watch of FIG. 1; FIG. 6 illustrates a front view of the watch of FIG. 1; FIG. 7 illustrates a front perspective view of the watch of FIG. 1; and, FIG. 8 illustrates a back perspective of the watch of FIG. 1.

**1 Claim, 8 Drawing Sheets**



(56)

**References Cited**

U.S. PATENT DOCUMENTS

D756,832 S \* 5/2016 Riddiford ..... D11/3  
2014/0083133 A1\* 3/2014 Lee ..... A44C 5/14  
63/3.1

\* cited by examiner

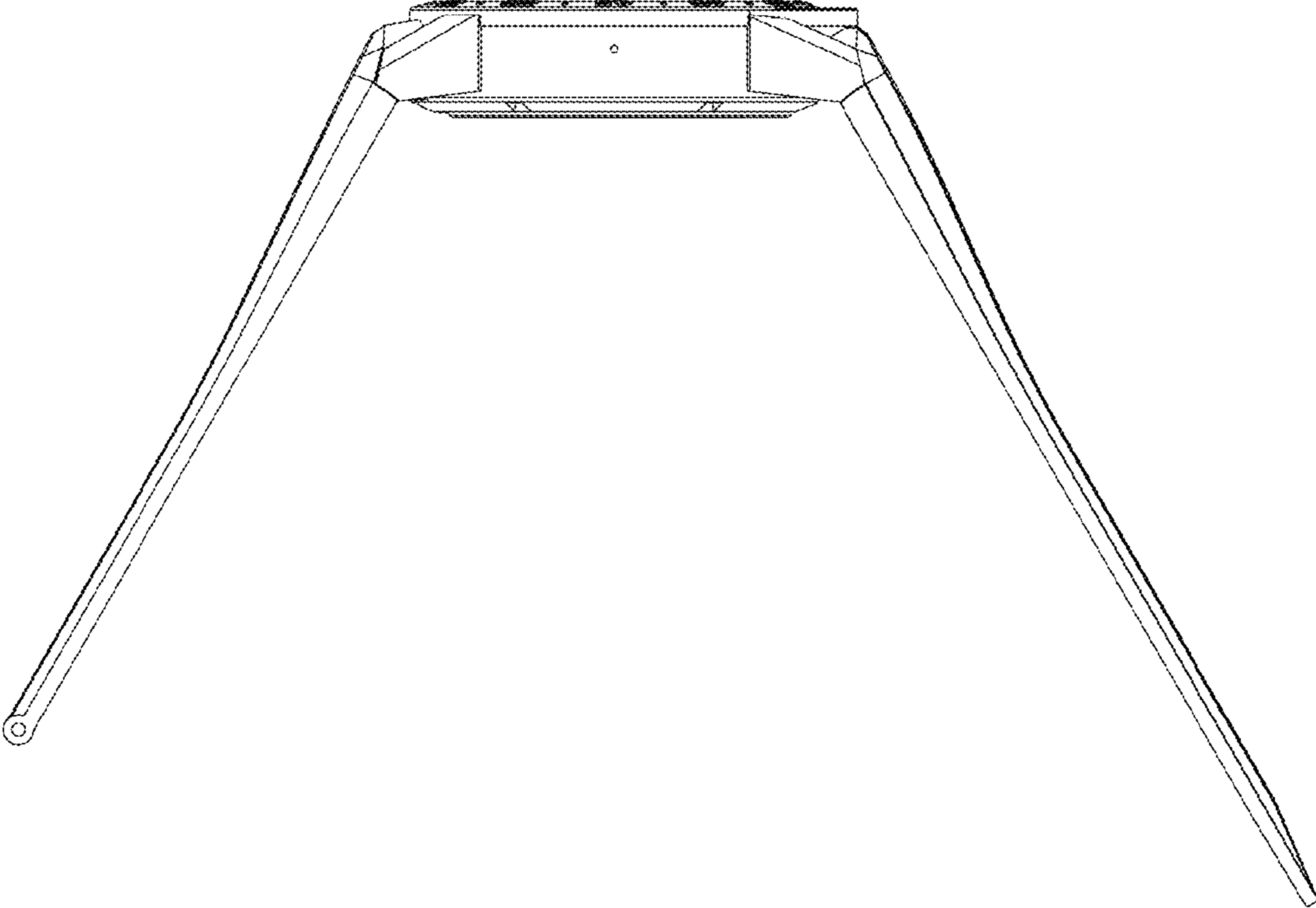


FIG.1

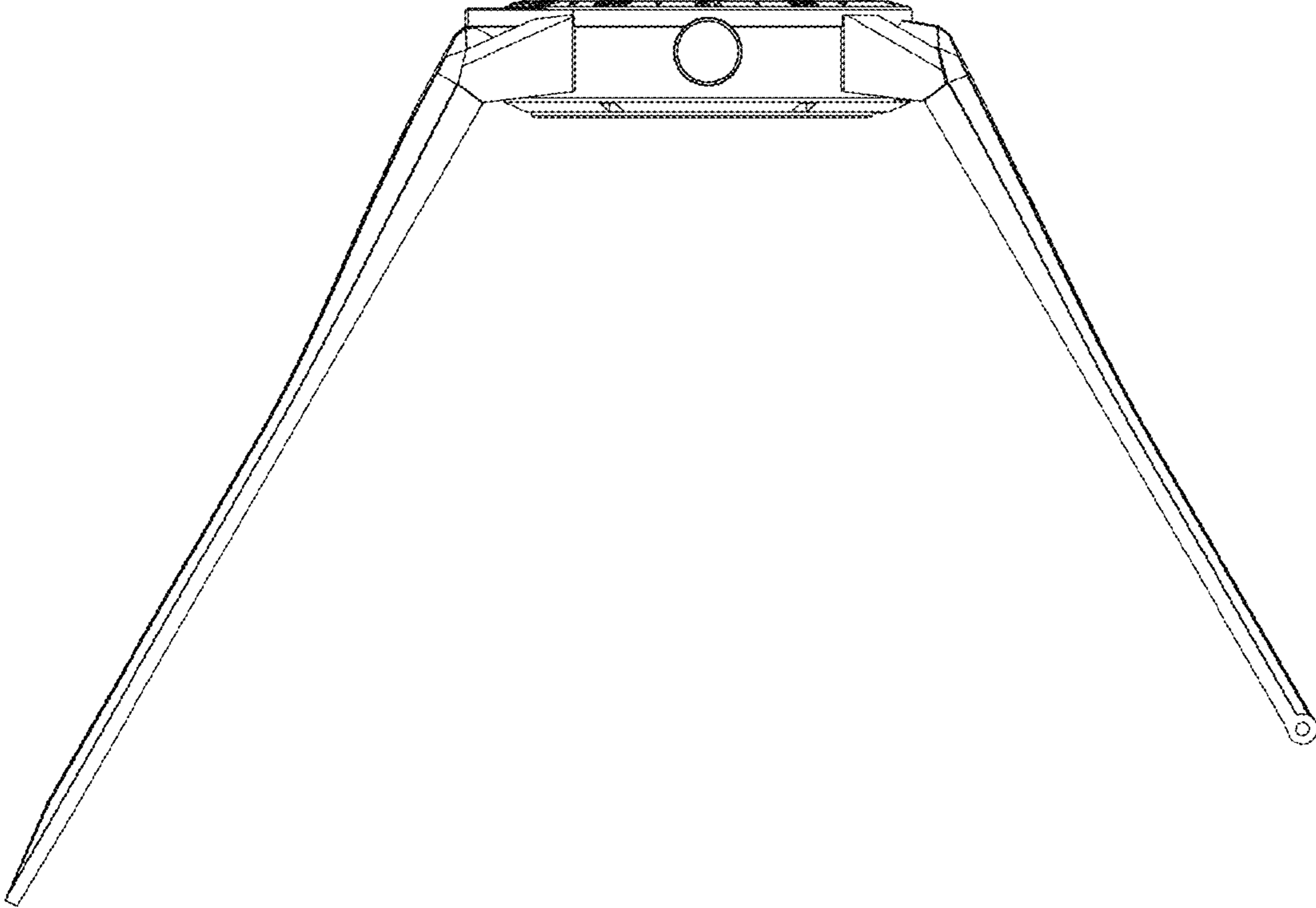


FIG.2

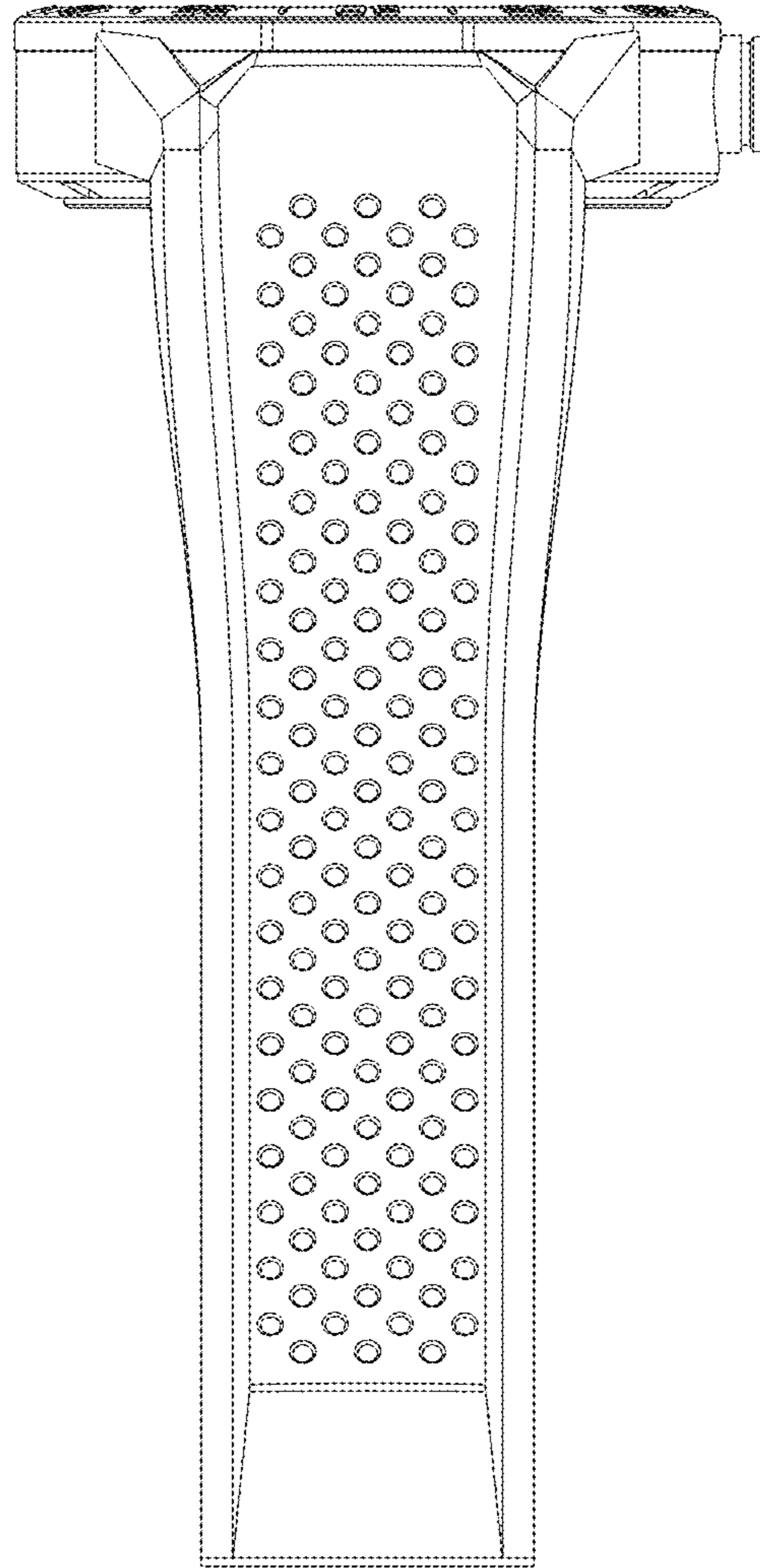


FIG.3

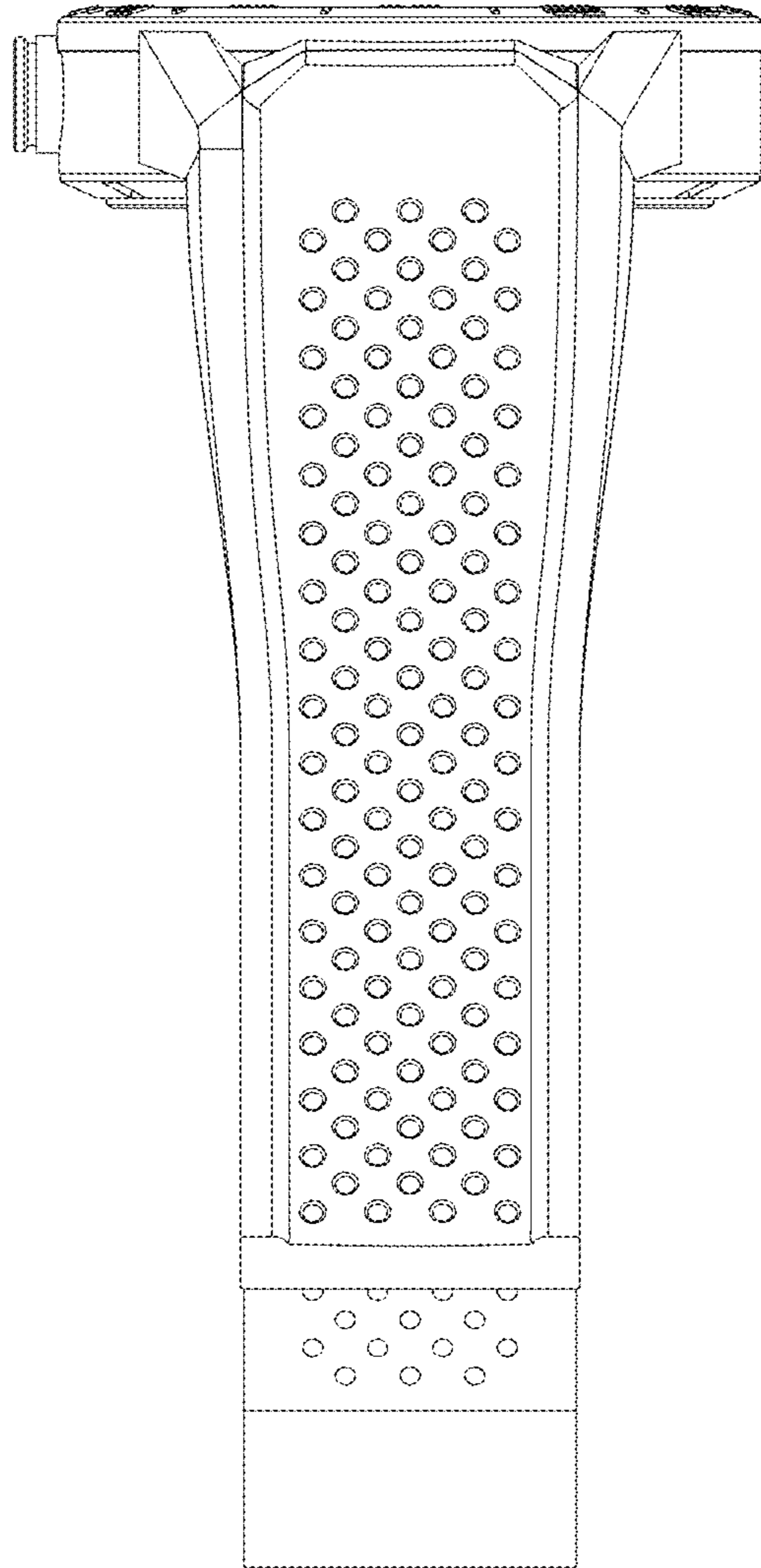


FIG.4

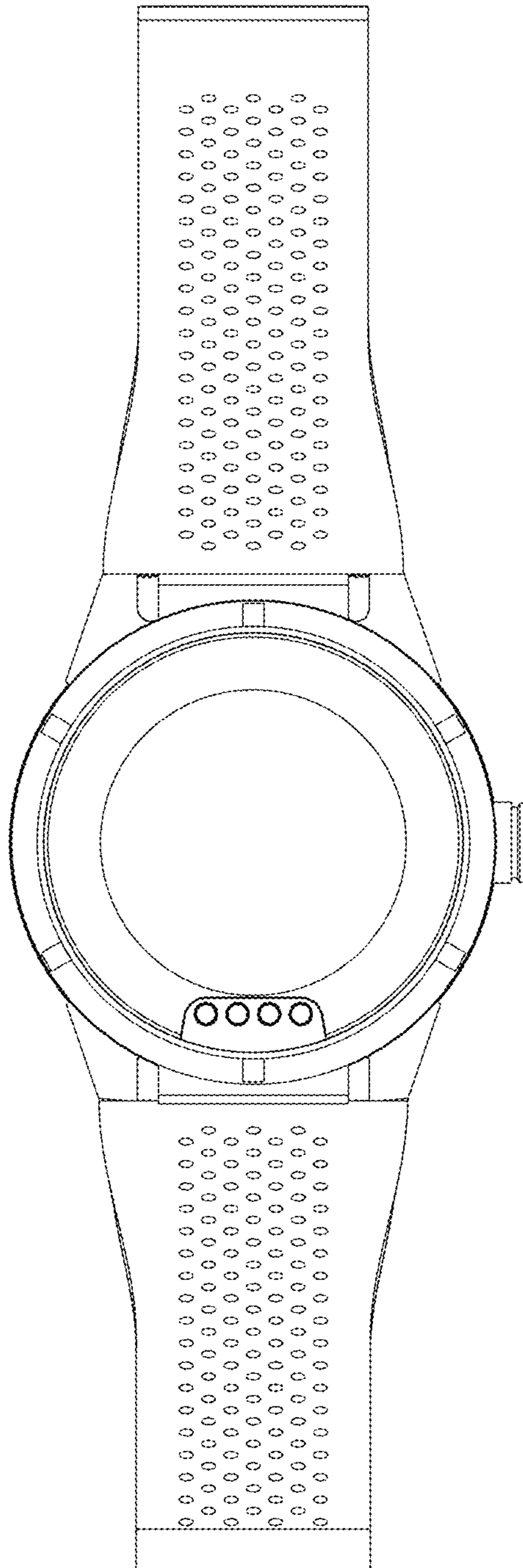


FIG.5

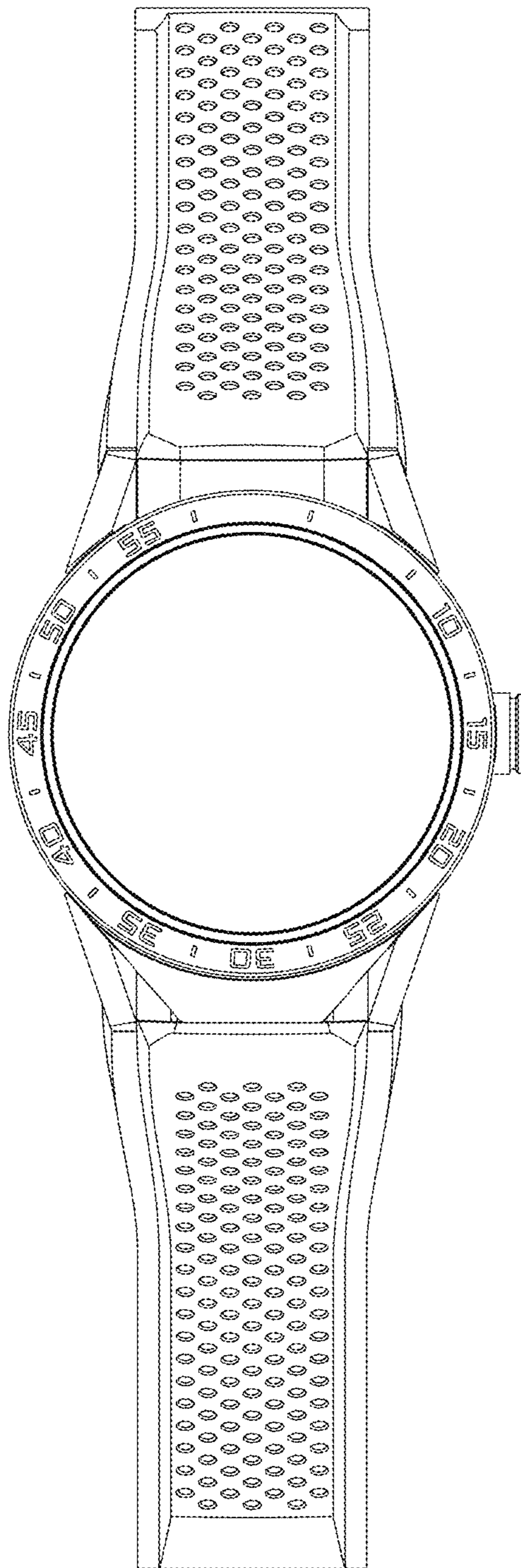


FIG. 6



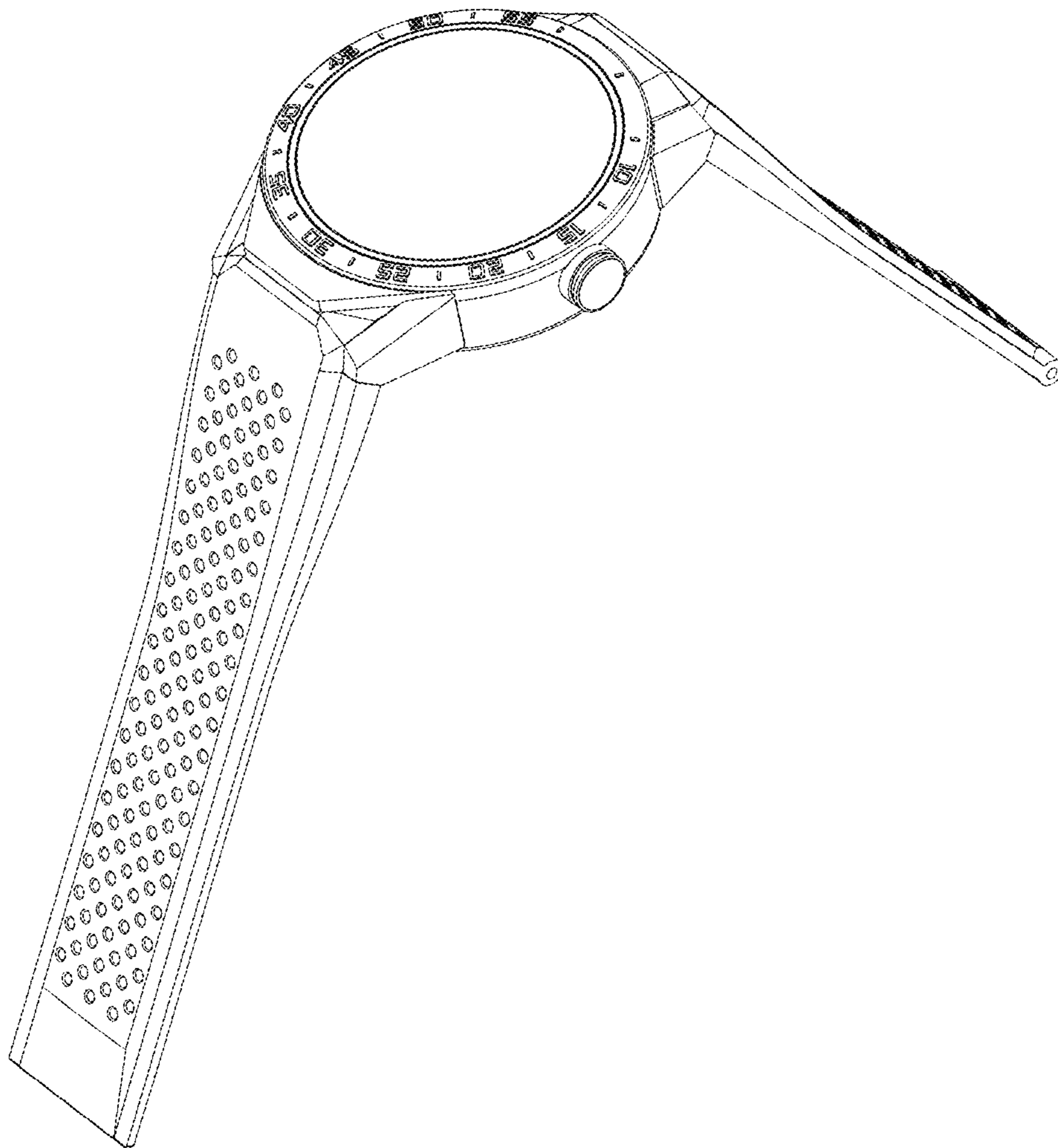


FIG.7

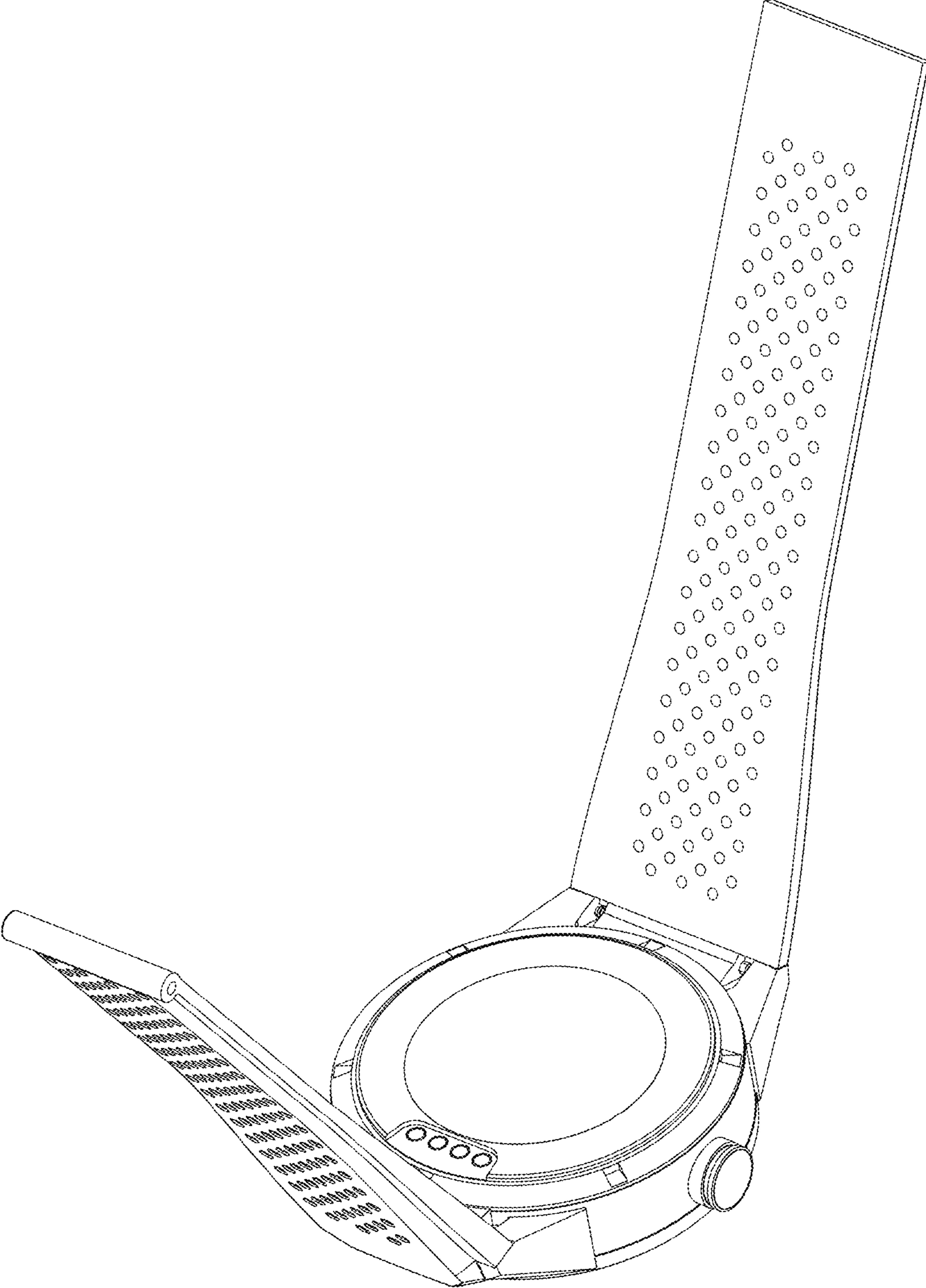


FIG.8