



US00D799988S

(12) **United States Design Patent**  
**White et al.**

(10) **Patent No.:** **US D799,988 S**  
(45) **Date of Patent:** **\*\* Oct. 17, 2017**

(54) **WATCH**

(71) Applicant: **Nixon, Inc.**, Encinitas, CA (US)

(72) Inventors: **Tyson White**, Encinitas, CA (US); **Joe Babcock**, Encinitas, CA (US); **Nick Everist**, Encinitas, CA (US); **Mitchell Hall**, Encinitas, CA (US)

(73) Assignee: **NIXON, INC.**, Encinitas, CA (US)

(\*\*) Term: **15 Years**

(21) Appl. No.: **29/572,077**

(22) Filed: **Jul. 25, 2016**

(51) **LOC (10) Cl.** ..... **10-02**

(52) **U.S. Cl.**  
USPC ..... **D10/30**

(58) **Field of Classification Search**  
USPC ..... D10/1-39, 122-132  
CPC ..... G04B 17/00; G04B 17/02; G04B 17/005;  
G04B 17/285; G04B 37/00; G04B 37/00;  
G04B 37/0058; G04B 45/00; G04B  
45/02; G04B 45/038; G04B 45/0069;  
G04B 45/0076; G04B 29/00  
See application file for complete search history.

(56) **References Cited**

**U.S. PATENT DOCUMENTS**

D370,639 S \* 6/1996 Morishima ..... D10/38  
D584,170 S \* 1/2009 Morrison ..... D10/32

D600,144 S \* 9/2009 Diltoer ..... D10/38  
D617,663 S \* 6/2010 Jarvis ..... D10/38  
D650,709 S \* 12/2011 Duport ..... D10/39  
D737,151 S \* 8/2015 Alward ..... D10/31  
D746,702 S \* 1/2016 Galli ..... D10/30  
D751,550 S \* 3/2016 Solomon ..... D10/38  
D756,244 S \* 5/2016 Bastian ..... D10/132  
D775,973 S \* 1/2017 Kamata ..... D10/38

\* cited by examiner

*Primary Examiner* — Sheryl Lane

*Assistant Examiner* — Calvin E Vansant

(74) *Attorney, Agent, or Firm* — Torrey Pines Law Group, PC; Kevin Buckley

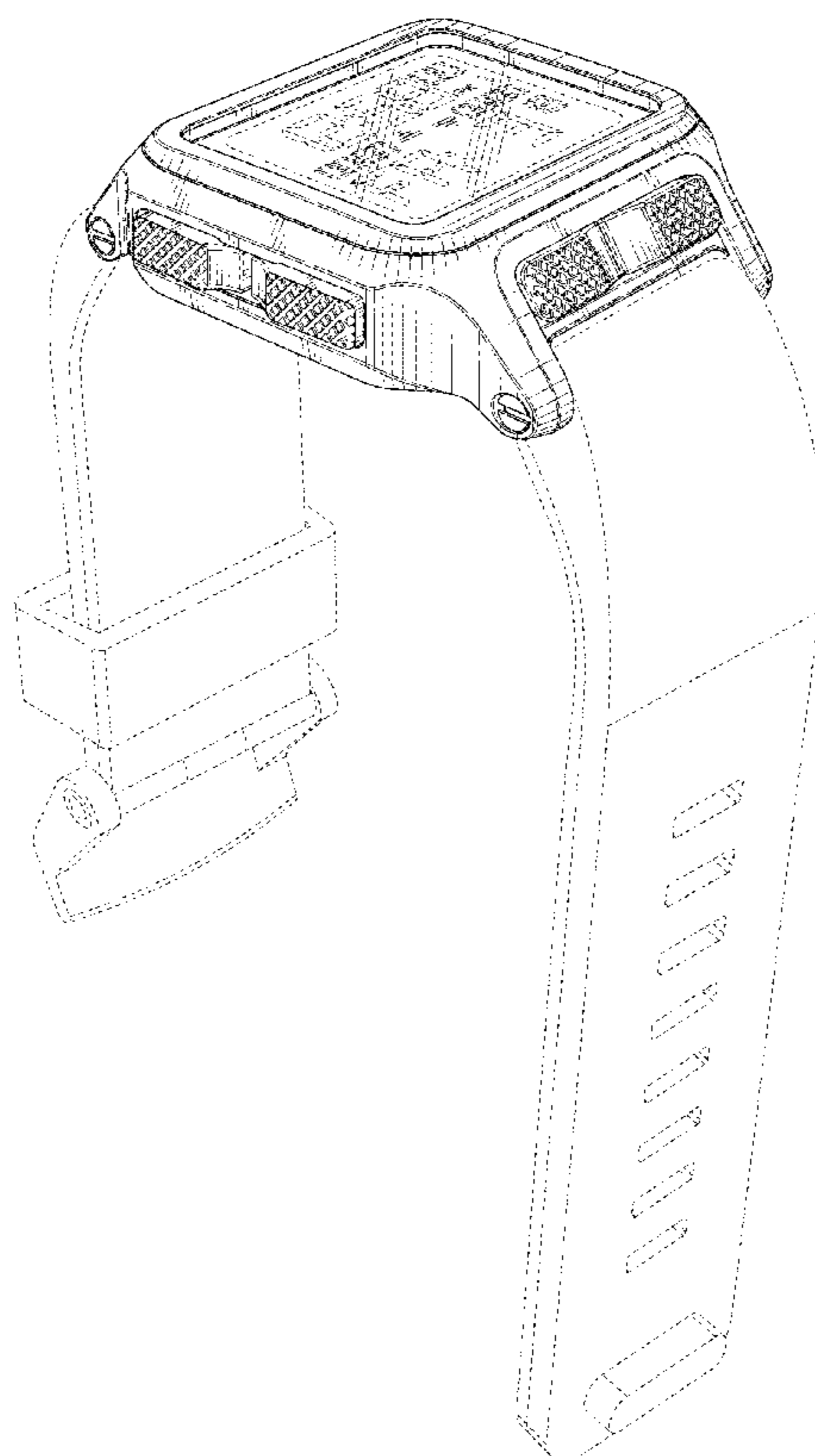
(57) **CLAIM**

What is claimed is the ornamental design for a watch, as shown and described.

**DESCRIPTION**

FIG. 1 is a front left perspective view of a watch showing our new design;  
FIG. 2 is a front view thereof;  
FIG. 3 is a back view thereof;  
FIG. 4 is a left side view thereof;  
FIG. 5 is a right side view thereof;  
FIG. 6 is a top view thereof; and,  
FIG. 7 is a bottom view thereof.  
The broken lines depict portions of the watch and form no part of the claim.

**1 Claim, 6 Drawing Sheets**



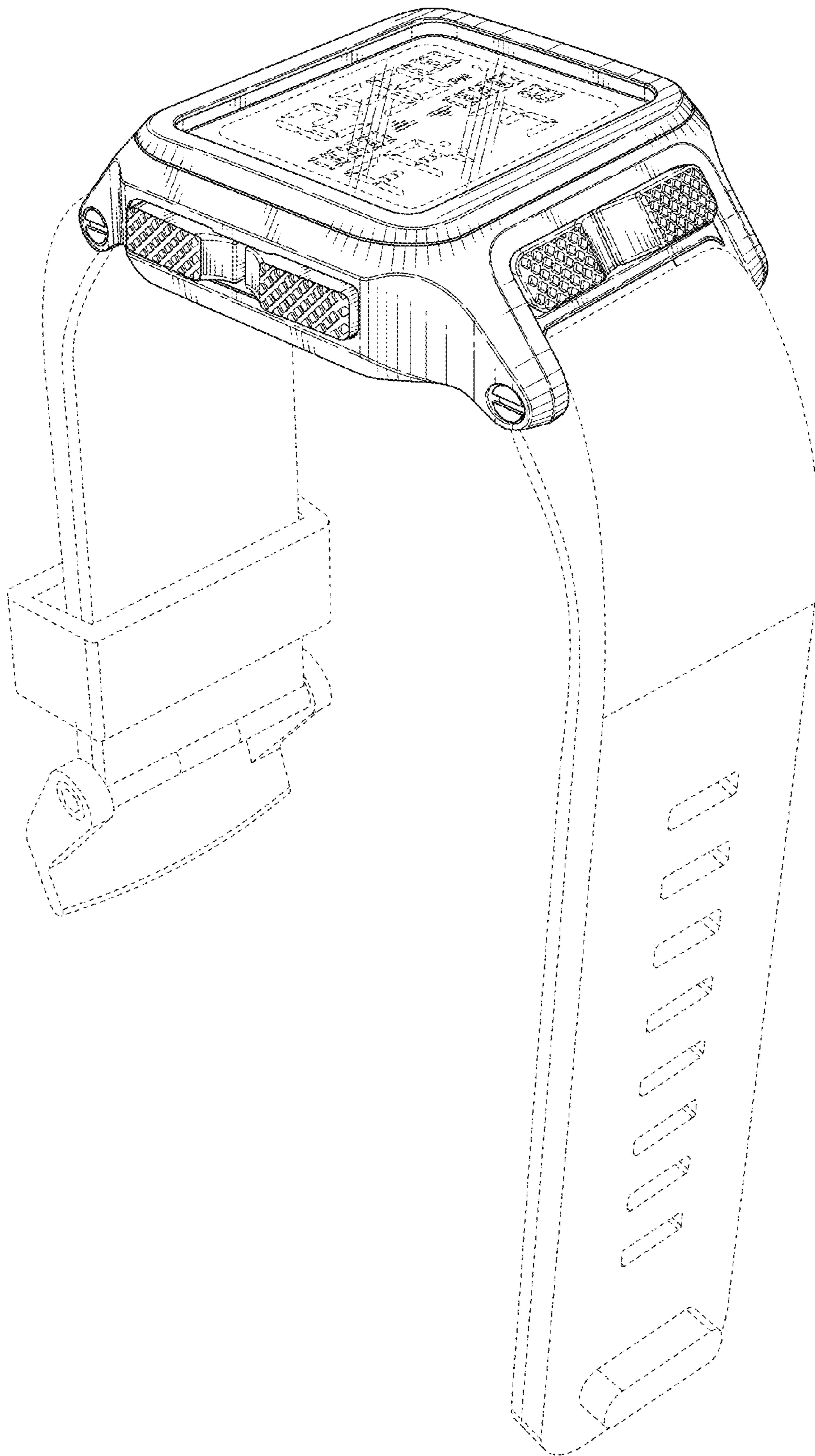


FIG. 1

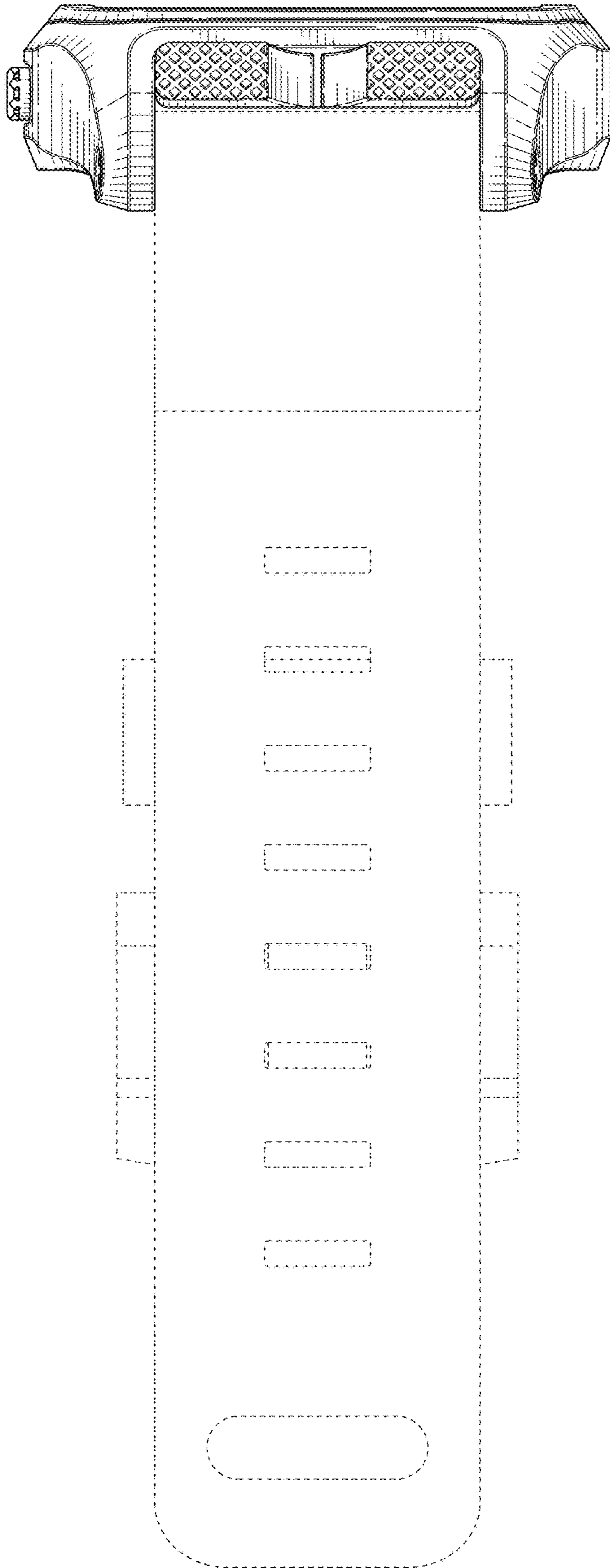


FIG. 2

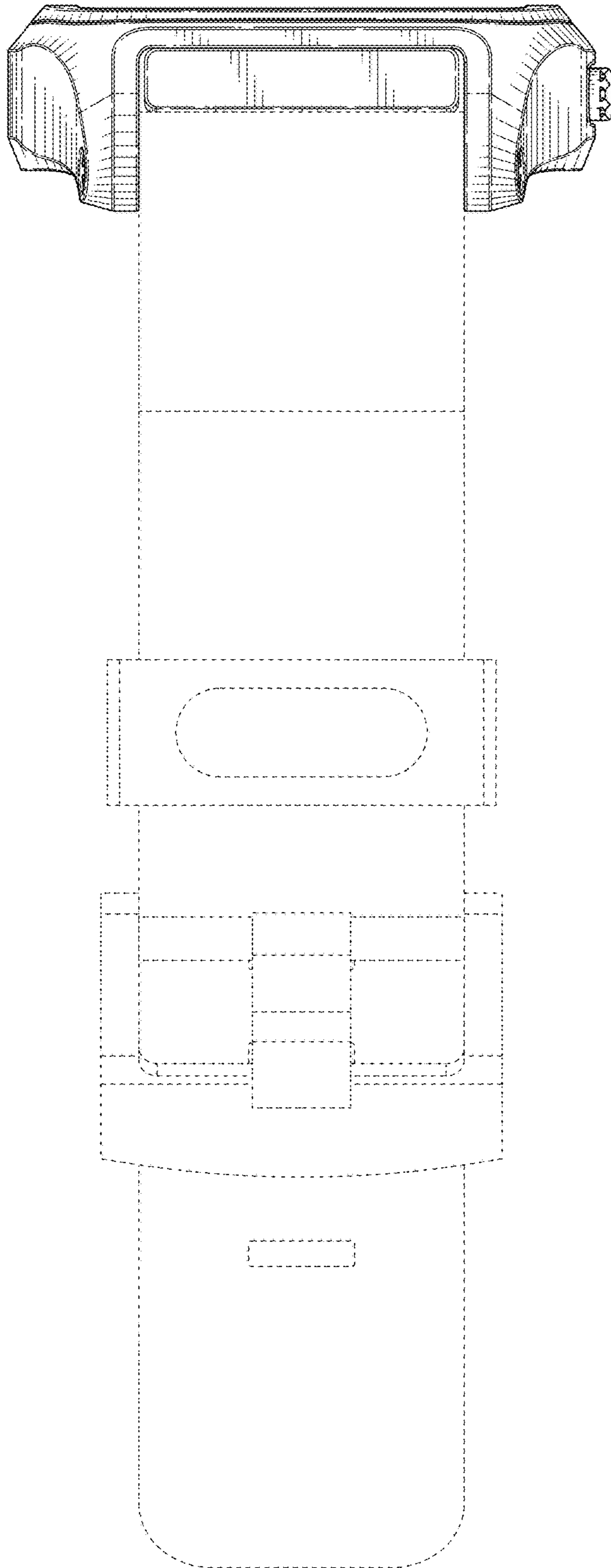


FIG. 3



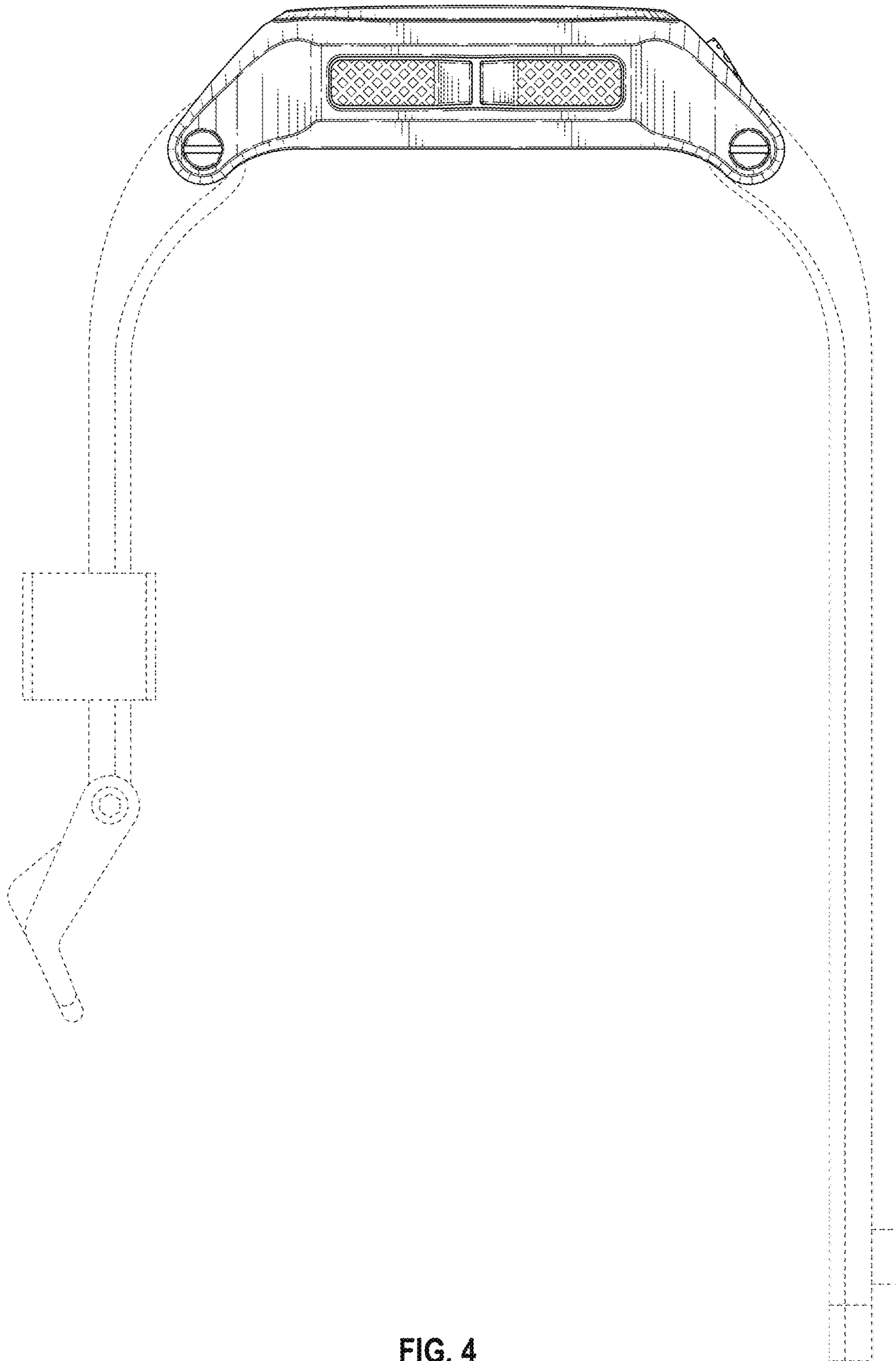


FIG. 4

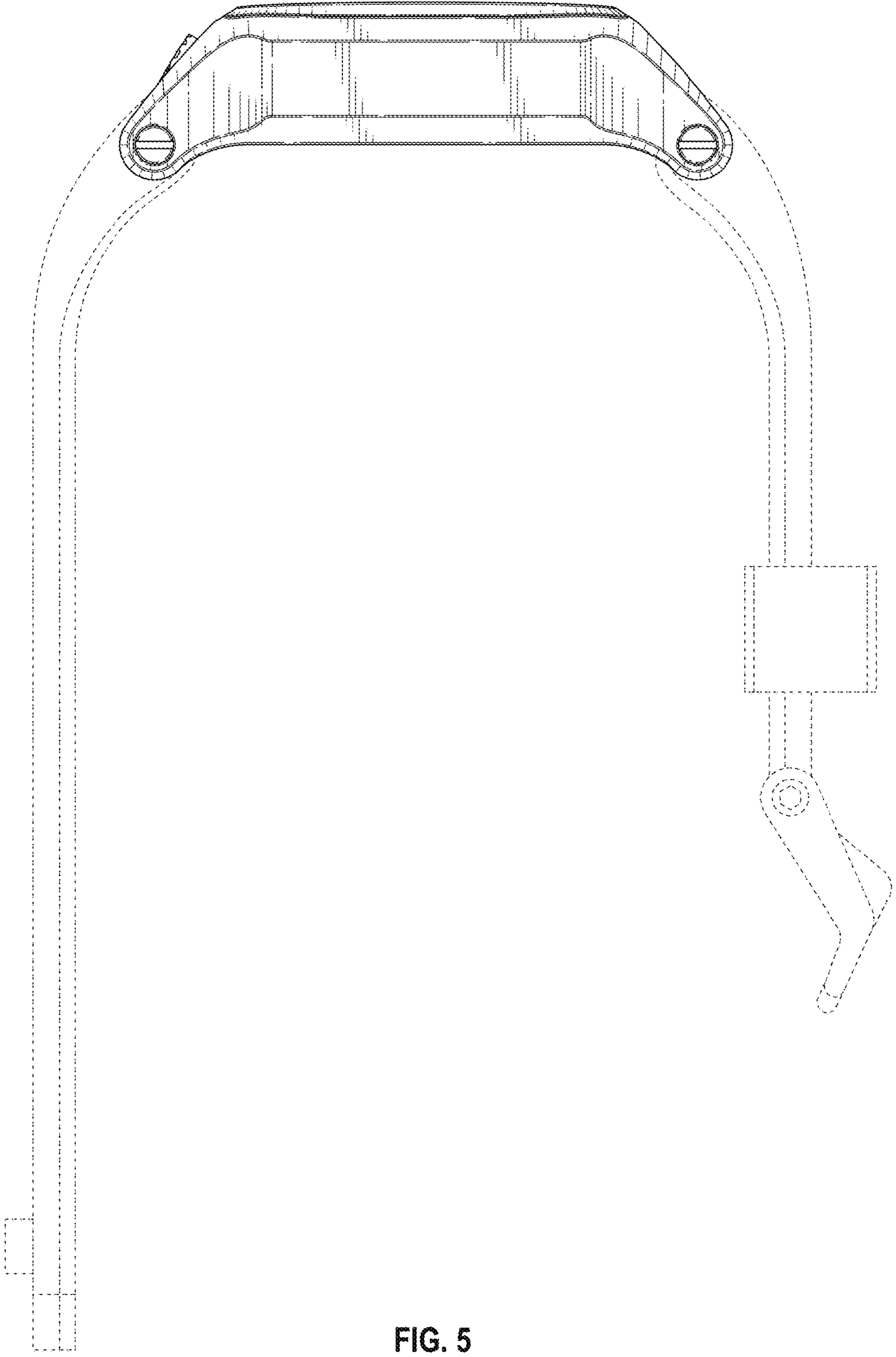


FIG. 5

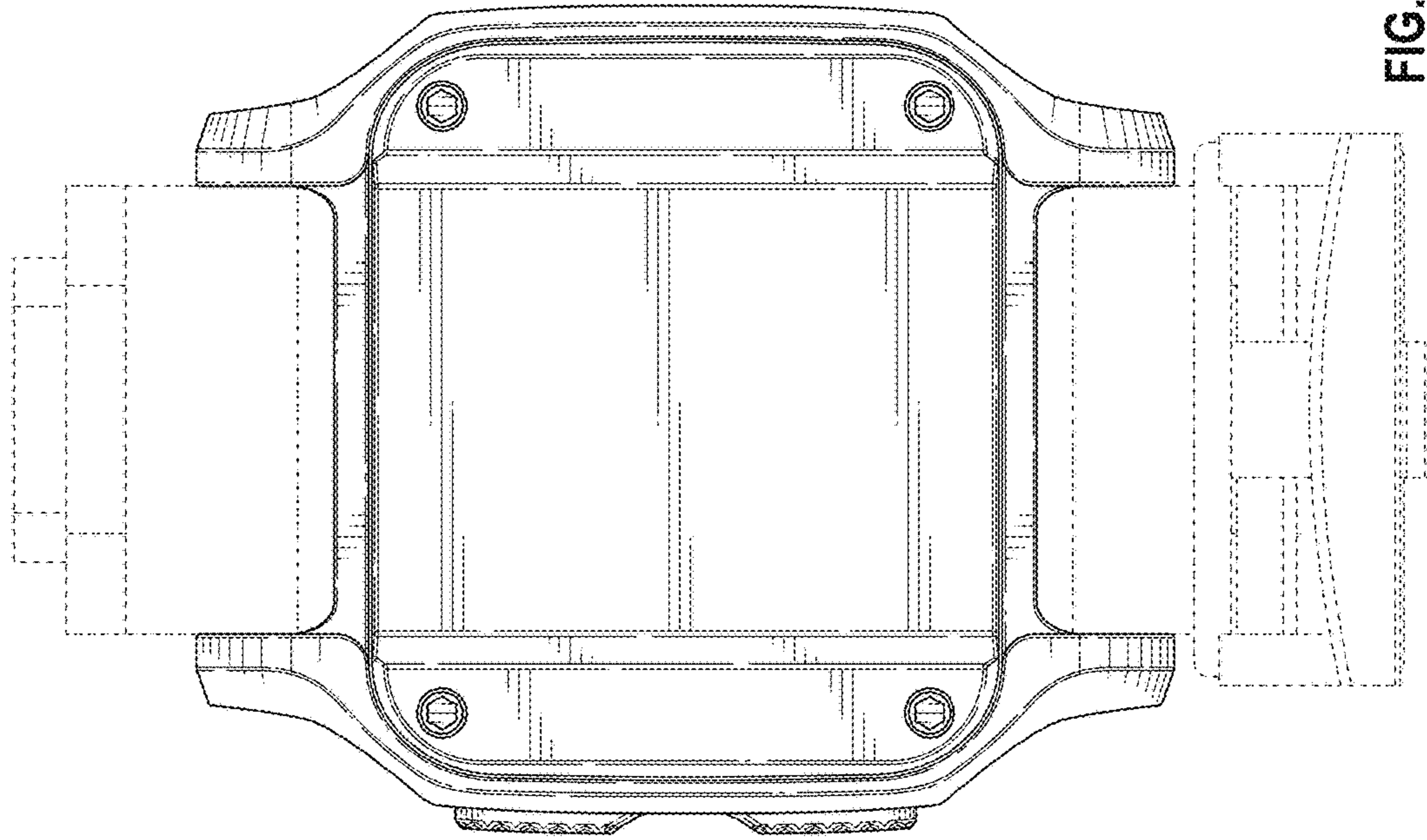


FIG. 7

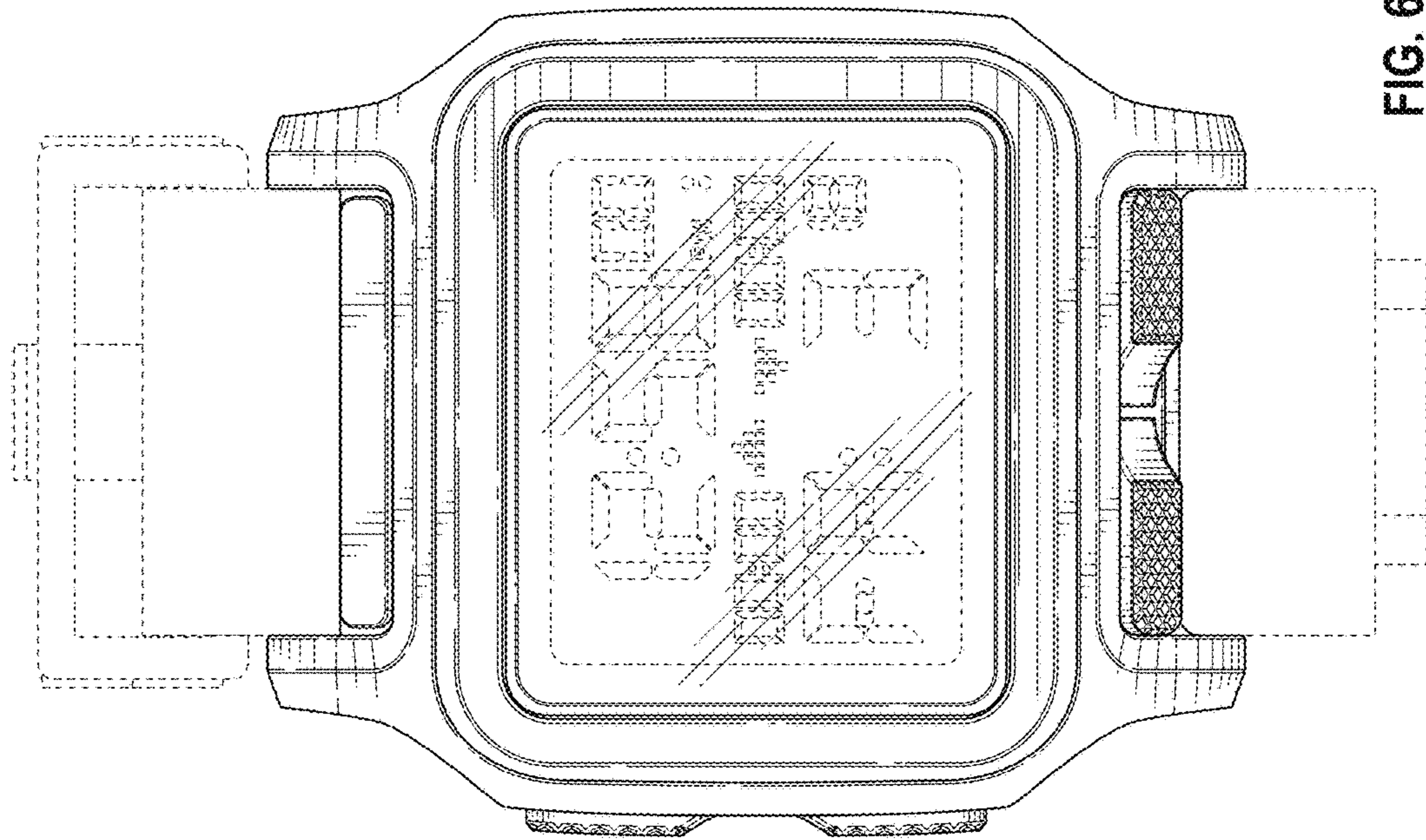


FIG. 6