



US00D799987S

(12) **United States Design Patent**  
**Mille**

(10) **Patent No.:** **US D799,987 S**

(45) **Date of Patent:** **\*\* Oct. 17, 2017**

(54) **WATCH**

(71) Applicant: **Turlen Holding SA**, Soyhières (CH)

(72) Inventor: **Richard Mille**, Moulins (FR)

(73) Assignee: **TURLEN HOLDING SA**, Soyhieres (CH)

(\*\*) Term: **15 Years**

(21) Appl. No.: **29/539,869**

(22) Filed: **Sep. 18, 2015**

(30) **Foreign Application Priority Data**

Jul. 9, 2015 (WO) ..... DM/087007

(51) **LOC (10) Cl.** ..... **10-02**

(52) **U.S. Cl.**  
USPC ..... **D10/30**

(58) **Field of Classification Search**  
USPC ..... D10/1, 17, 22, 30-39, 122-132; D11/3,  
D11/12, 19, 21

CPC ..... G04B 45/0069; G04B 45/0076; G04B  
47/04; G04B 47/042; G04B 37/0008;  
G04B 19/06; G04F 7/08

See application file for complete search history.

(56) **References Cited**

**U.S. PATENT DOCUMENTS**

D438,473 S \* 3/2001 Dumas ..... D10/39  
D505,342 S \* 5/2005 Hayek ..... D10/39  
7,052,173 B2 \* 5/2006 Hiranuma ..... G04B 19/283  
368/294  
D542,676 S \* 5/2007 Cheng ..... D10/38

D549,598 S \* 8/2007 Yoshikawa ..... D10/32  
D573,488 S \* 7/2008 Sanz ..... D10/39  
D592,975 S \* 5/2009 Markl ..... D10/32  
D618,119 S \* 6/2010 Tonohori ..... D10/38  
D636,692 S \* 4/2011 Pospieszny ..... D10/129  
D677,176 S \* 3/2013 Ruffieux ..... D10/39  
D691,902 S \* 10/2013 Mille ..... D10/39  
D693,245 S \* 11/2013 Mille ..... D10/39  
D708,075 S \* 7/2014 Mille ..... D10/39  
D708,077 S \* 7/2014 Mille ..... D10/31  
D724,446 S \* 3/2015 Favre ..... D10/124  
D726,556 S \* 4/2015 Lasserre ..... D10/39  
D744,354 S \* 12/2015 Loth ..... D10/126  
D756,245 S \* 5/2016 Mille ..... D10/126

\* cited by examiner

*Primary Examiner* — Sandra Snapp

*Assistant Examiner* — Katherine Glennon

(74) *Attorney, Agent, or Firm* — Donald J. Ranft; Collen IP

(57) **CLAIM**

The ornamental design for a watch, as shown.

**DESCRIPTION**

FIG. 1 is a front right perspective view of a watch showing my new design;

FIG. 2 is a rear left perspective view thereof;

FIG. 3 is a front view thereof;

FIG. 4 is a rear view thereof;

FIG. 5 is a left side view thereof;

FIG. 6 is a right side view thereof;

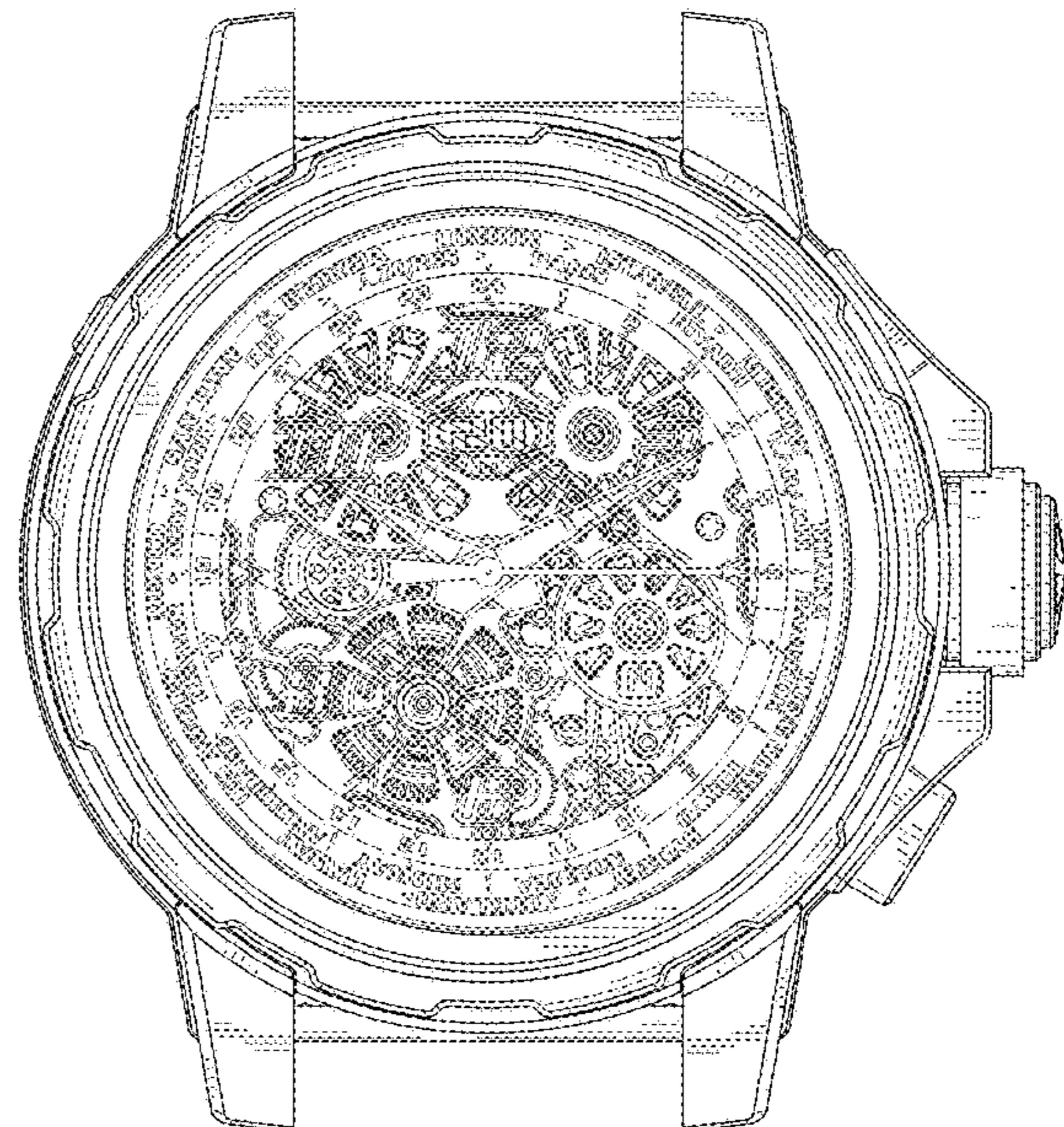
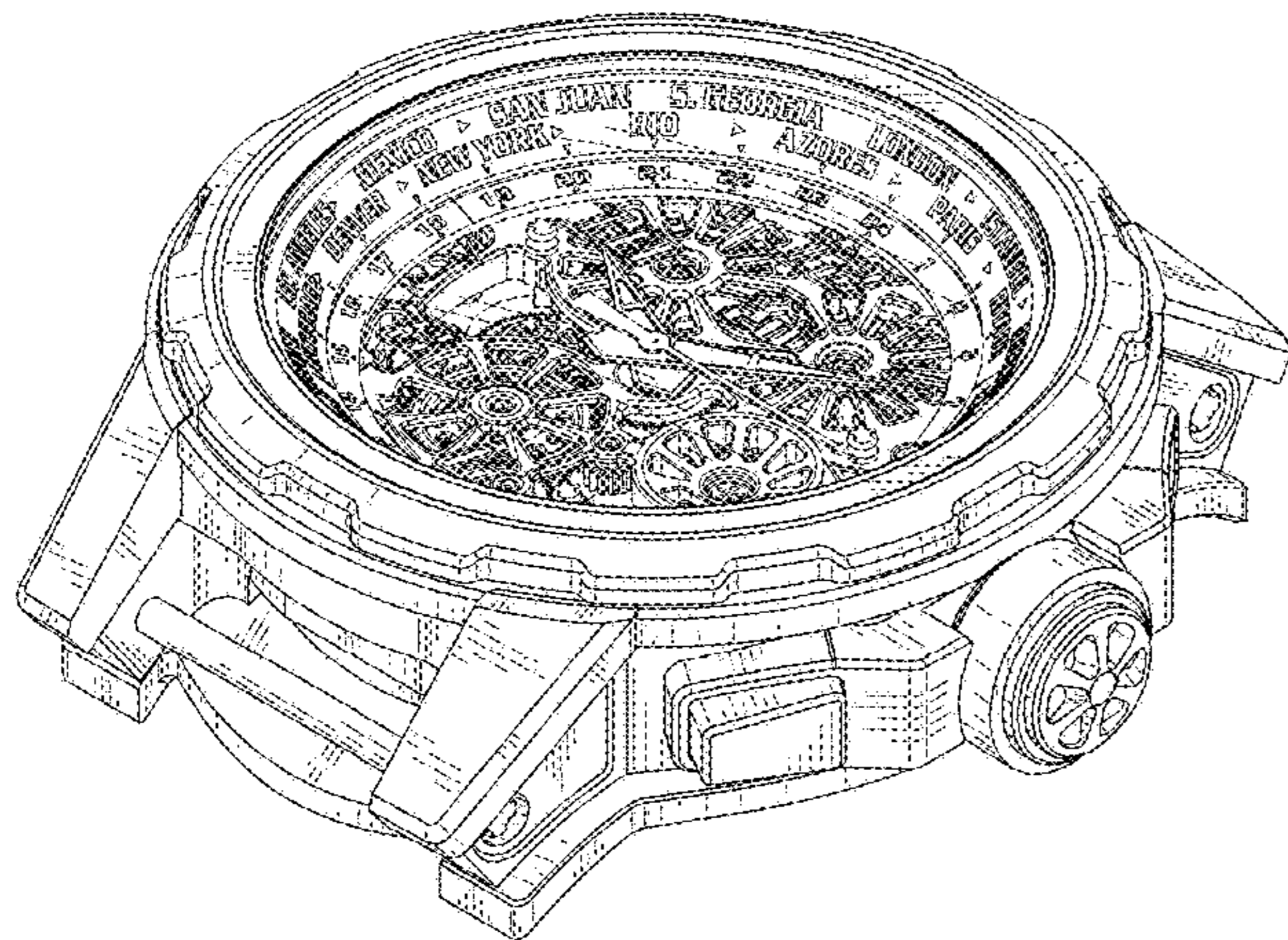
FIG. 7 is a top view thereof;

FIG. 8 is a bottom view thereof;

FIG. 9 is a front left perspective view thereof; and,

FIG. 10 is a rear right perspective view thereof.

**1 Claim, 8 Drawing Sheets**



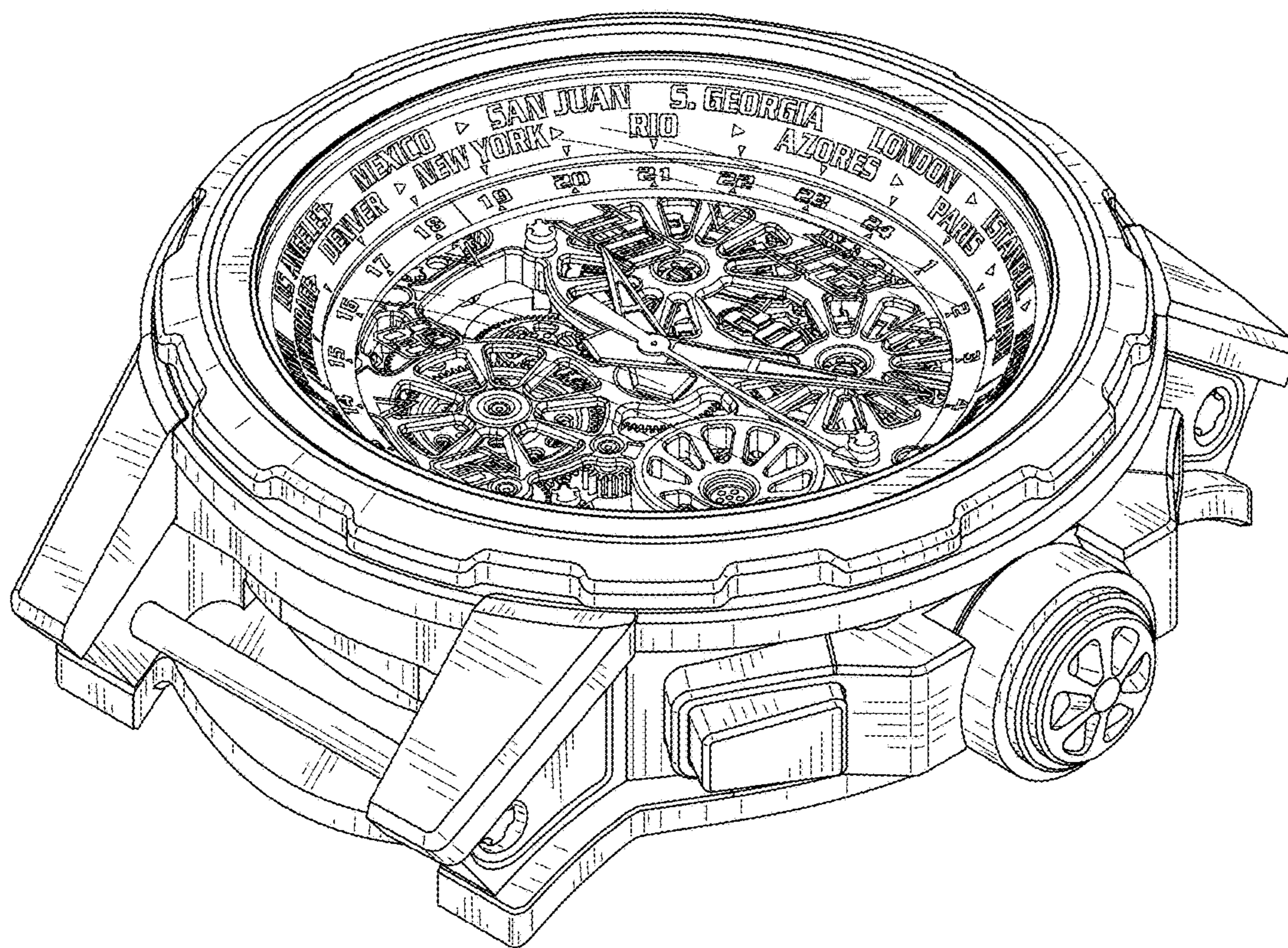


FIG. 1

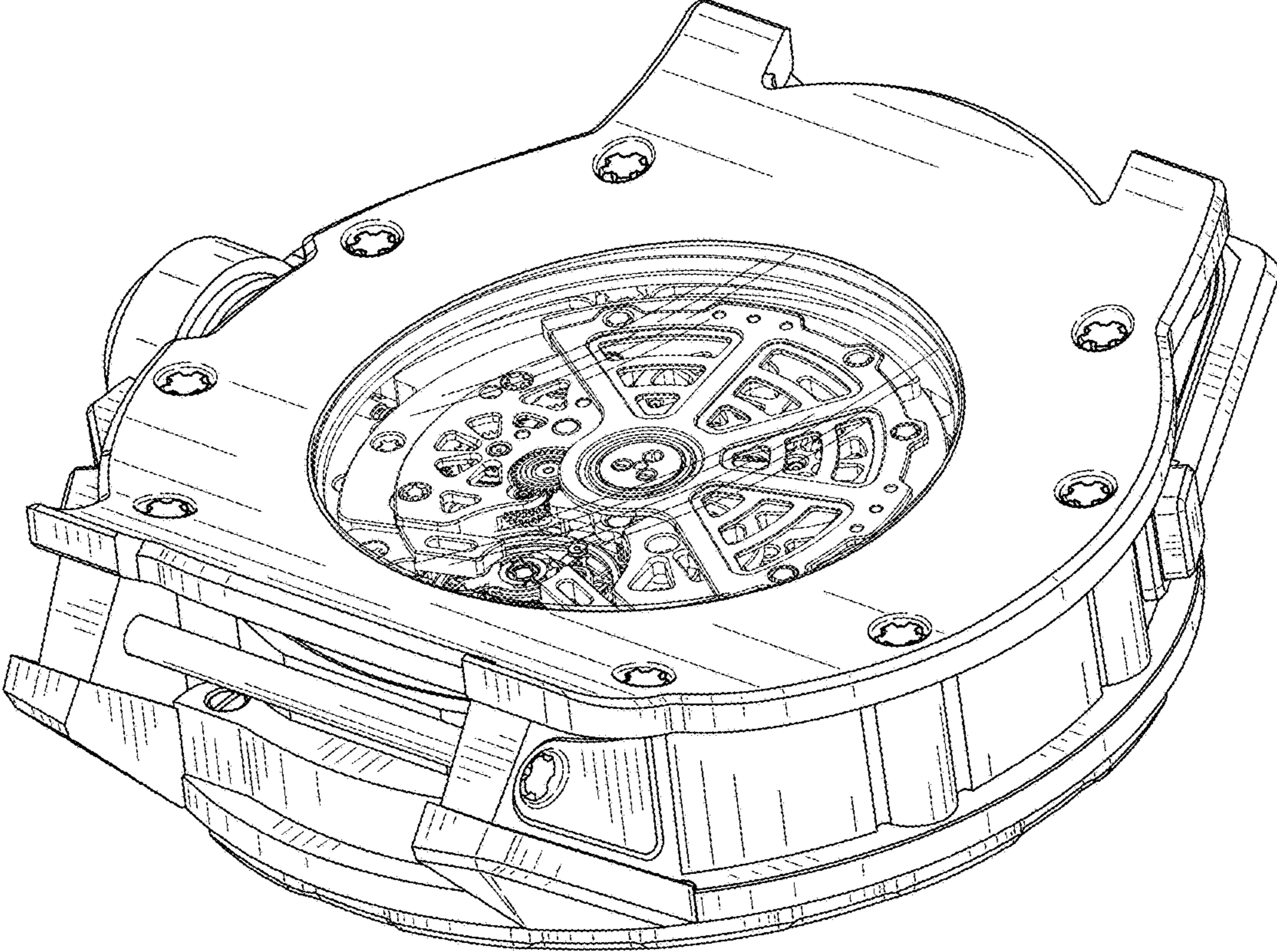


FIG. 2





FIG. 4

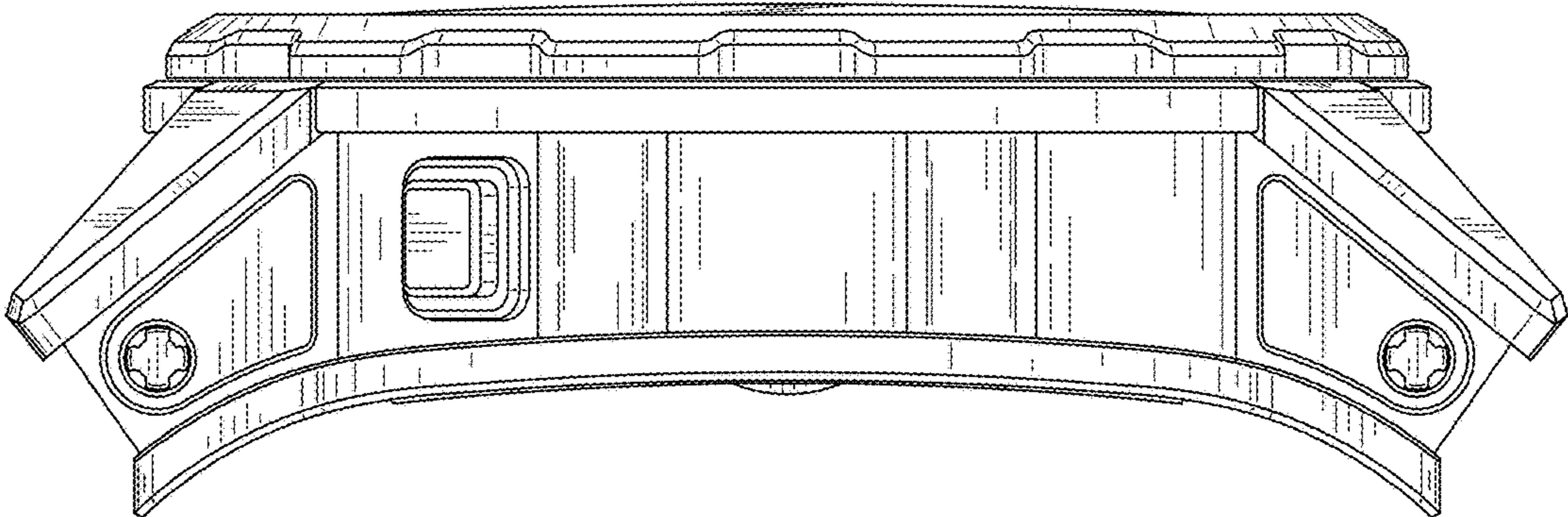


FIG. 5

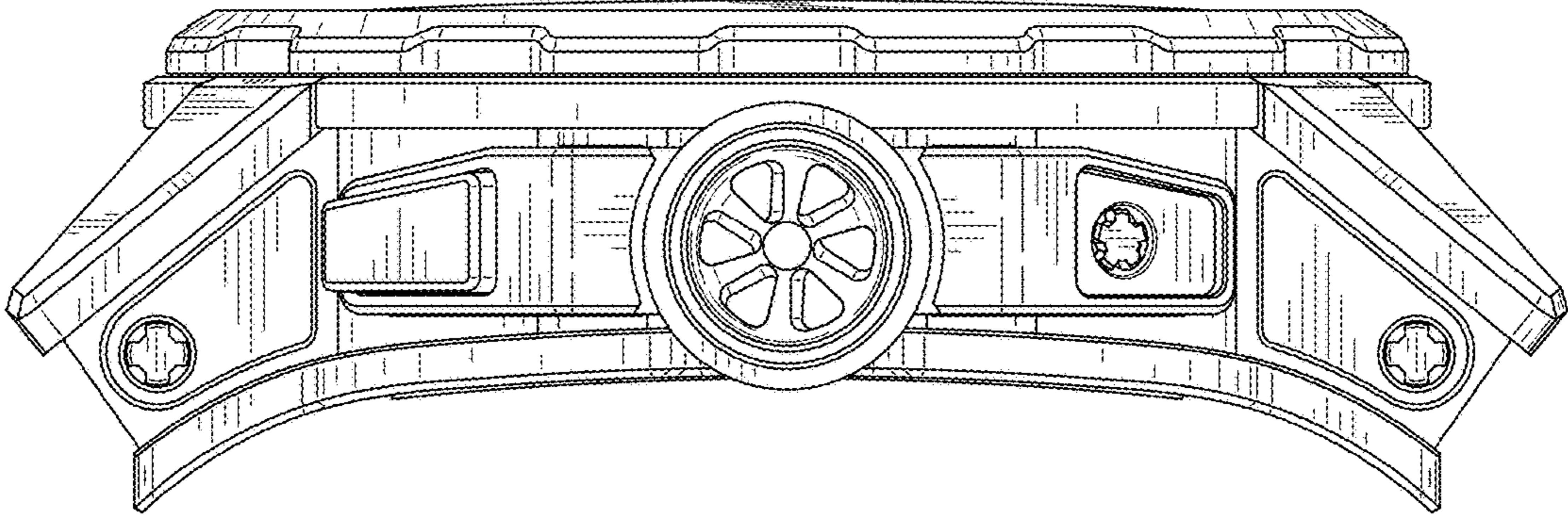


FIG. 6

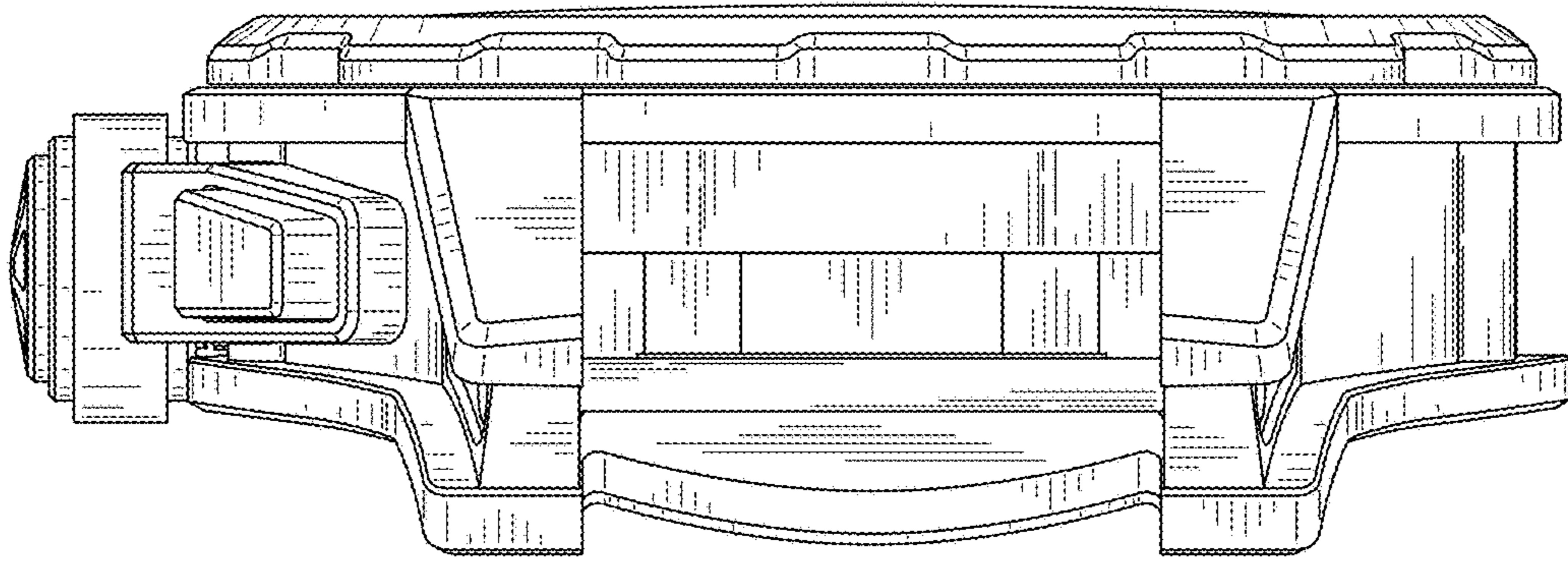


FIG. 7

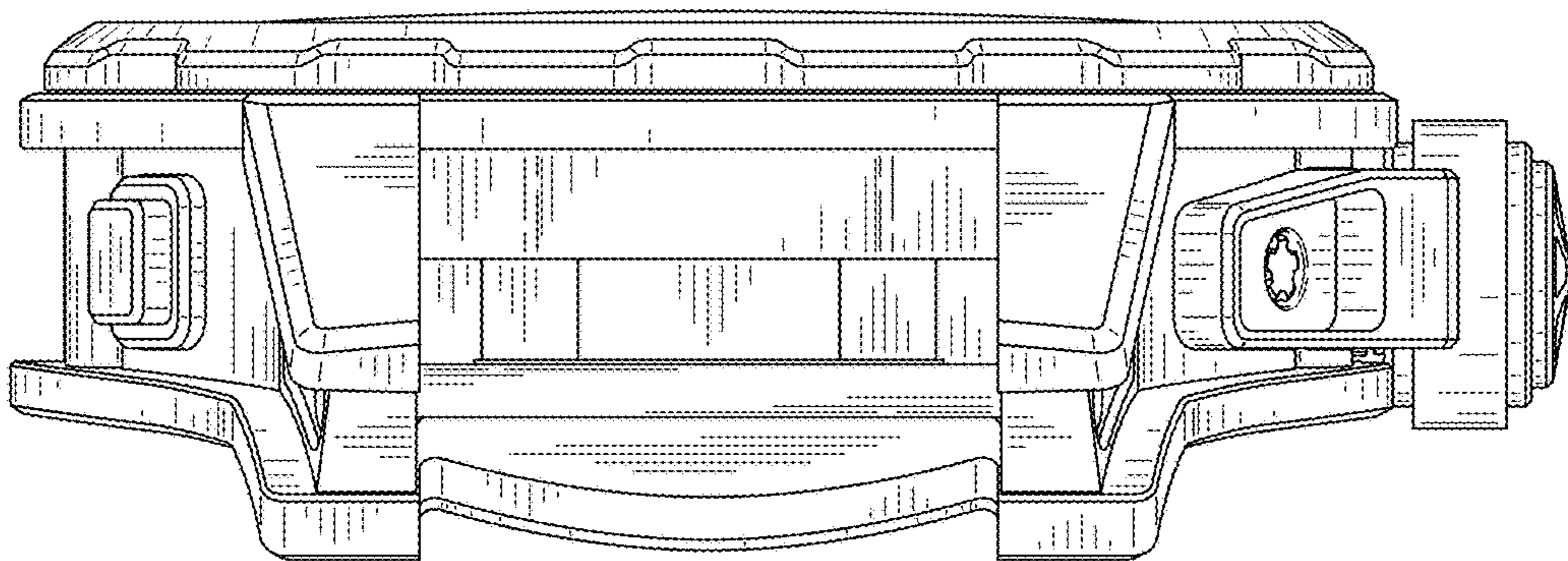


FIG. 8

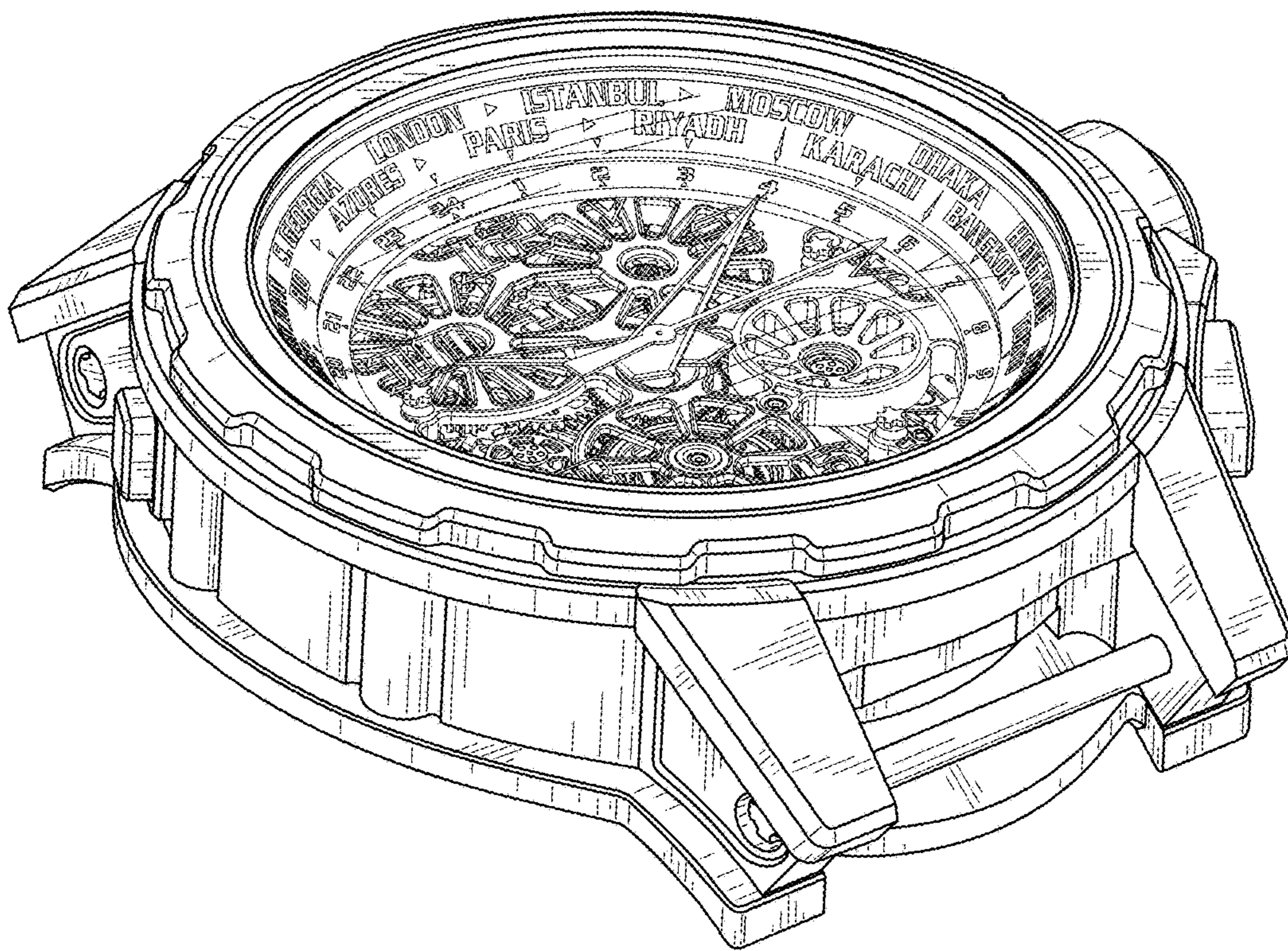


FIG. 9



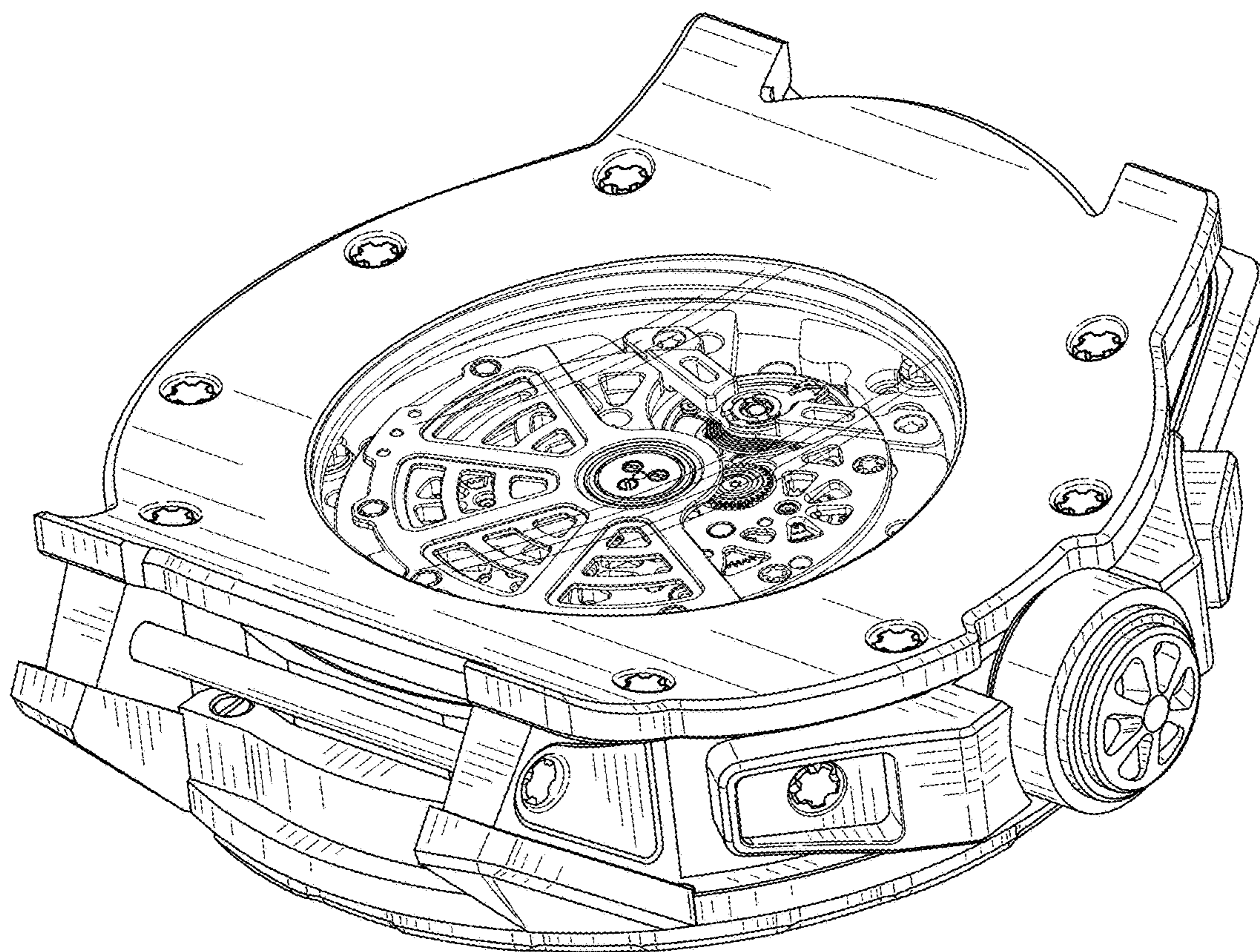


FIG. 10