



US00D799986S

(12) **United States Design Patent**  
**Monachon**

(10) **Patent No.:** **US D799,986 S**

(45) **Date of Patent:** **\*\* Oct. 17, 2017**

- (54) **WATCHCASE**
- (71) Applicant: **OMEGA LTD.**, Biel/Bienne (CH)
- (72) Inventor: **Jean-Claude Monachon**, Bevaix (CH)
- (73) Assignee: **OMEGA LTD.**, Biel/Bienne (CH)
- (\*\*) Term: **15 Years**
- (21) Appl. No.: **29/538,886**
- (22) Filed: **Sep. 9, 2015**
- (30) **Foreign Application Priority Data**

Mar. 10, 2015 (WO) ..... DM/085 818

- (51) **LOC (10) Cl.** ..... **10-02**
- (52) **U.S. Cl.**  
USPC ..... **D10/30**
- (58) **Field of Classification Search**  
USPC ..... D10/1, 17, 22, 30-39, 122-132; D11/3,  
D11/12, 19, 21  
CPC ..... G04B 45/0069; G04B 45/0076; G04B  
47/04; G04B 47/042; G04B 37/0008;  
G04B 19/06; G04F 7/08  
See application file for complete search history.

(56) **References Cited**

**U.S. PATENT DOCUMENTS**

- 3,554,414 A \* 1/1971 Gluck ..... A44C 5/14  
24/265 WS
- 4,970,708 A \* 11/1990 Gagnebin ..... G04B 37/0008  
368/281
- D324,828 S \* 3/1992 Wunderman ..... D10/32
- 5,398,218 A \* 3/1995 Munnier ..... G04B 37/1486  
224/164
- D371,745 S \* 7/1996 Wunderman ..... D10/32
- D390,148 S \* 2/1998 Brzezinski ..... D10/30

- 5,914,913 A \* 6/1999 Shriqui ..... A44C 5/14  
224/164
- D452,175 S \* 12/2001 Finazzi ..... D10/39
- D460,002 S \* 7/2002 Wunderman ..... D10/32
- D530,628 S \* 10/2006 Raffy ..... D10/32
- D617,662 S \* 6/2010 Monachon ..... D10/32
- D620,383 S \* 7/2010 Levy ..... D10/128
- D625,203 S \* 10/2010 Giannini ..... D10/32
- D643,315 S \* 8/2011 De Witt ..... D10/39
- D656,845 S \* 4/2012 Maier ..... D10/39
- D670,575 S \* 11/2012 Giannini ..... D10/32
- D675,942 S \* 2/2013 Giannini ..... D10/32
- D703,552 S \* 4/2014 Monachon ..... D10/32
- D706,142 S \* 6/2014 Monachon ..... D10/32
- D706,143 S \* 6/2014 Monachon ..... D10/32
- D708,073 S \* 7/2014 Parmigiani ..... D10/38
- D743,819 S \* 11/2015 Golnik ..... D10/70
- D761,147 S \* 7/2016 Monachon ..... D11/12
- D762,494 S \* 8/2016 Galli ..... D10/126

\* cited by examiner

*Primary Examiner* — Sandra Snapp

*Assistant Examiner* — Katherine Glennon

(74) *Attorney, Agent, or Firm* — Donald J. Ranft; Collen

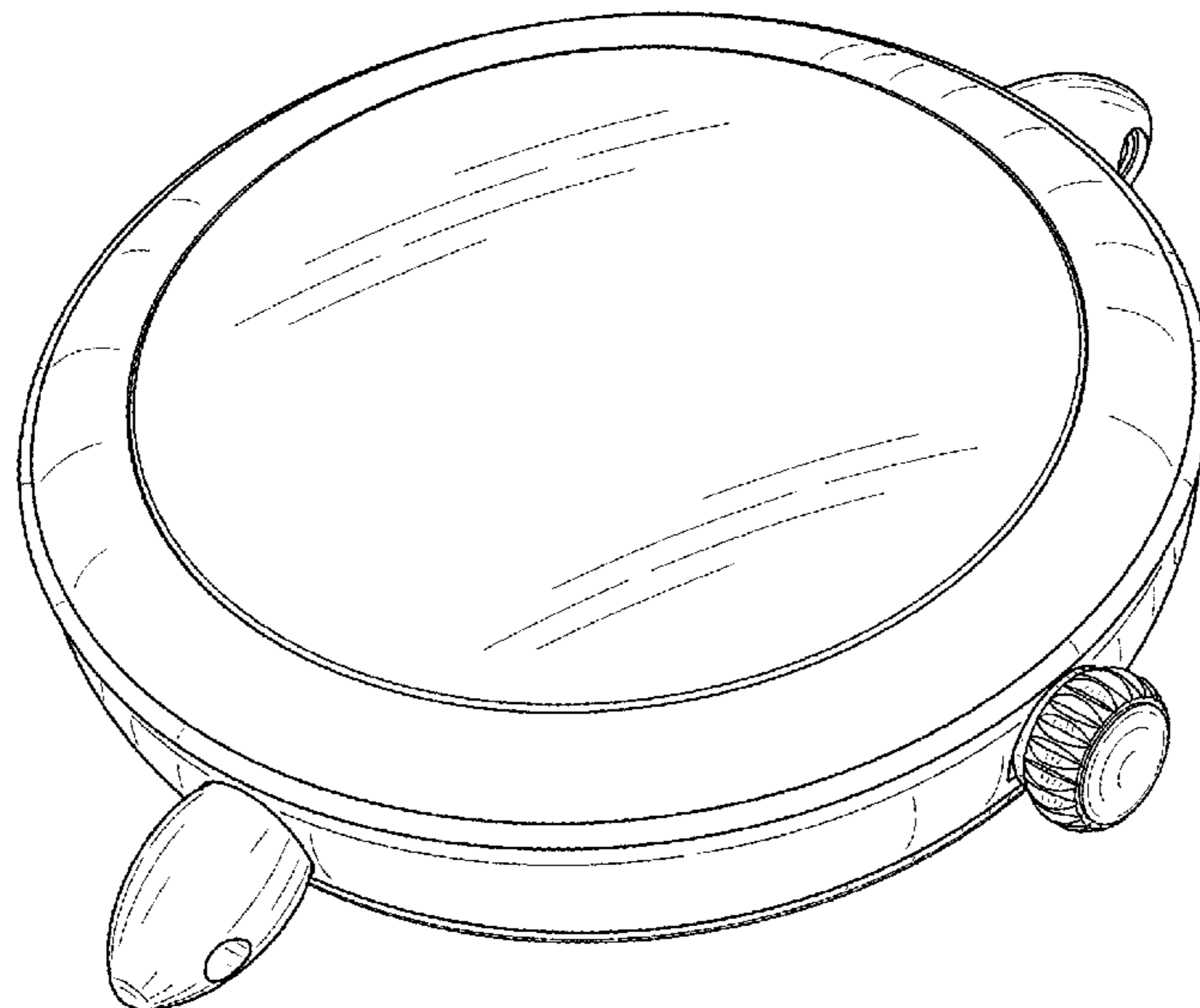
(57) **CLAIM**

The ornamental design for a watchcase, as shown.

**DESCRIPTION**

FIG. 1 is a front right perspective view of a watchcase showing my new design;  
 FIG. 2 is a front view thereof;  
 FIG. 3 is a rear view thereof;  
 FIG. 4 is a left side view thereof;  
 FIG. 5 is a right side view thereof;  
 FIG. 6 is a top view thereof;  
 FIG. 7 is a bottom view thereof;  
 FIG. 8 is a rear right perspective view thereof; and,  
 FIG. 9 is a rear left perspective view thereof.

**1 Claim, 7 Drawing Sheets**



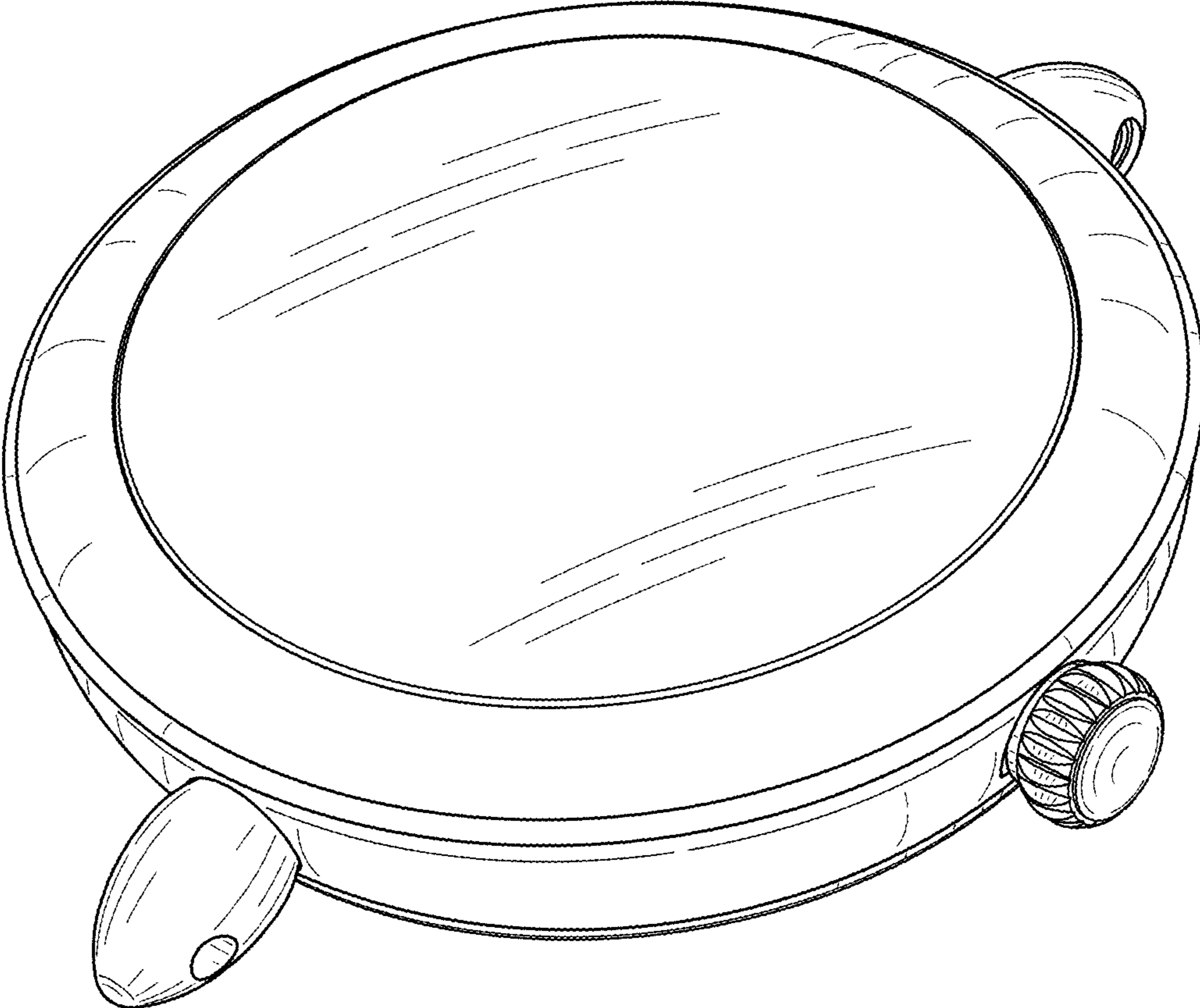


FIG. 1

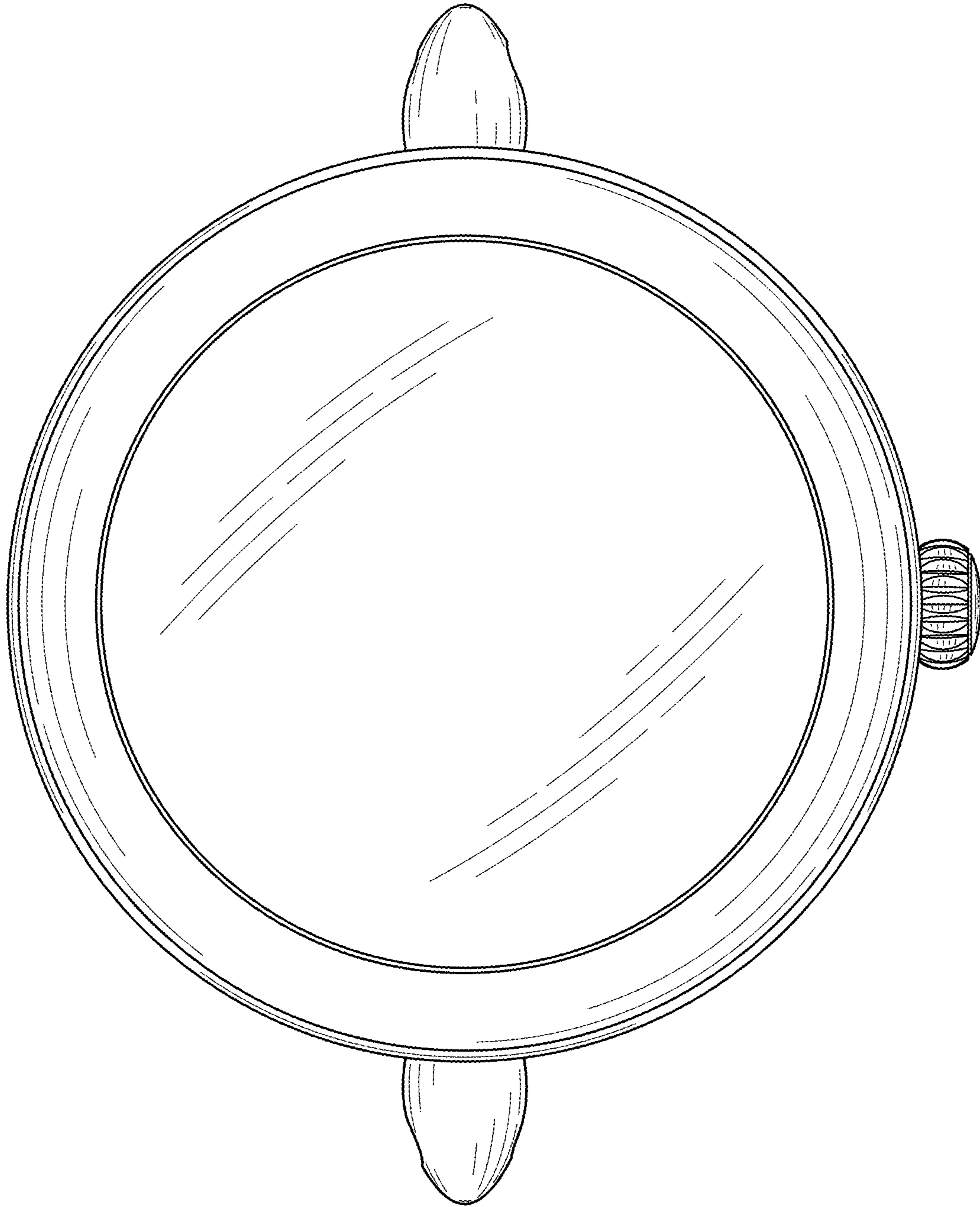


FIG. 2

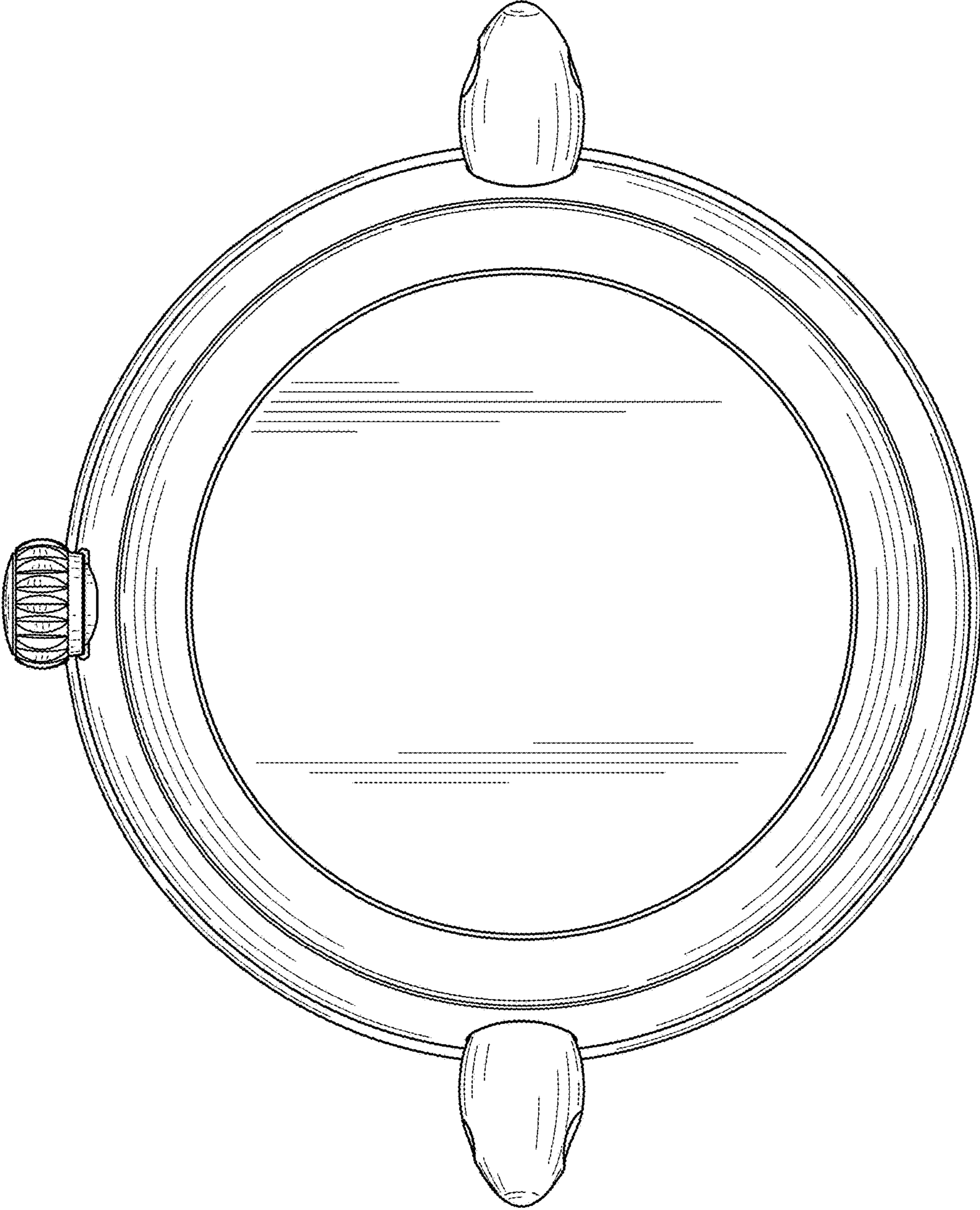


FIG. 3

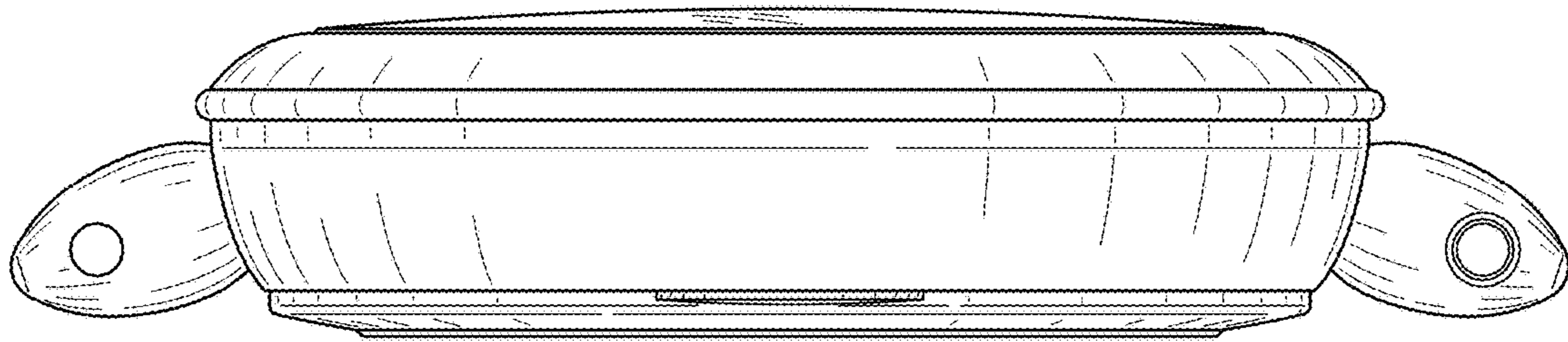


FIG. 4

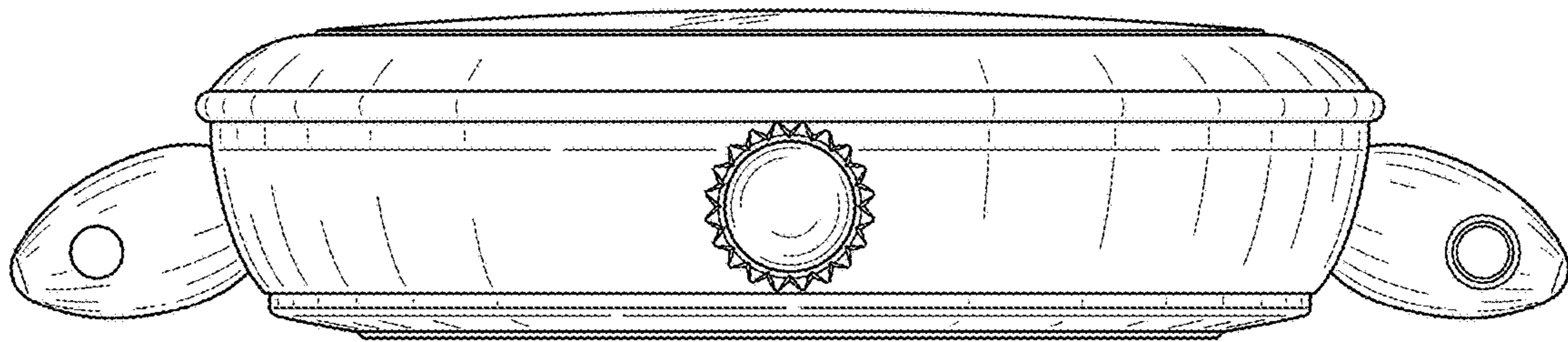


FIG. 5

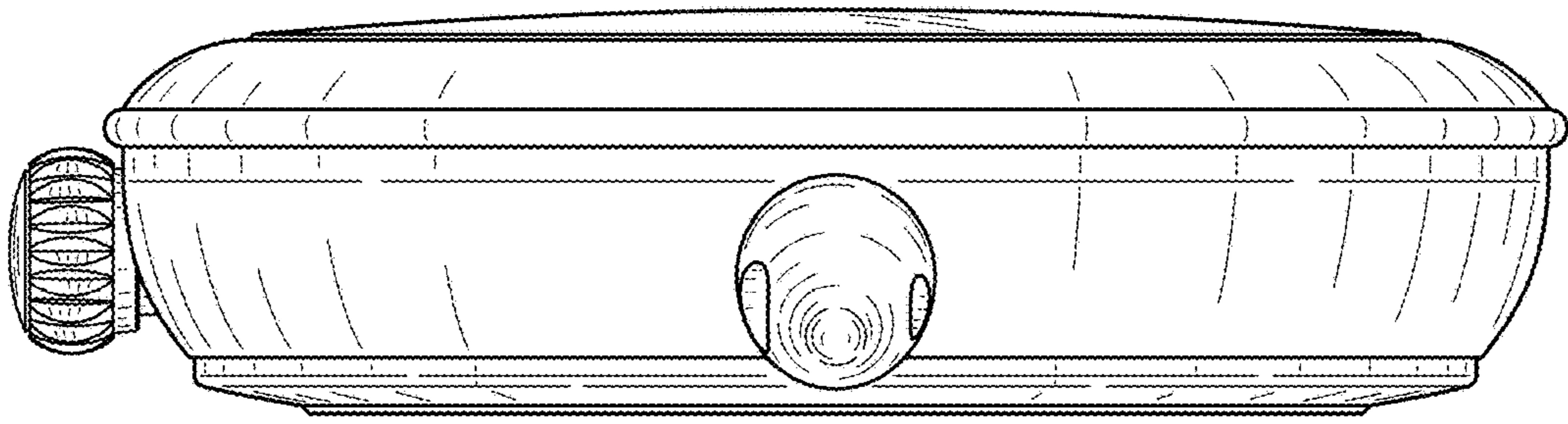


FIG. 6

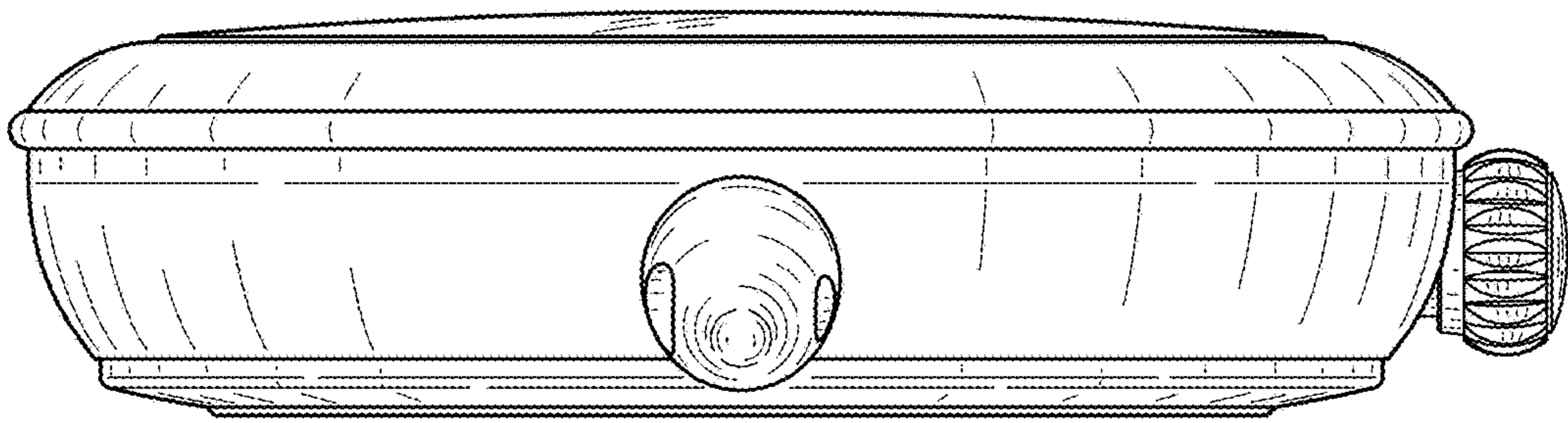


FIG. 7

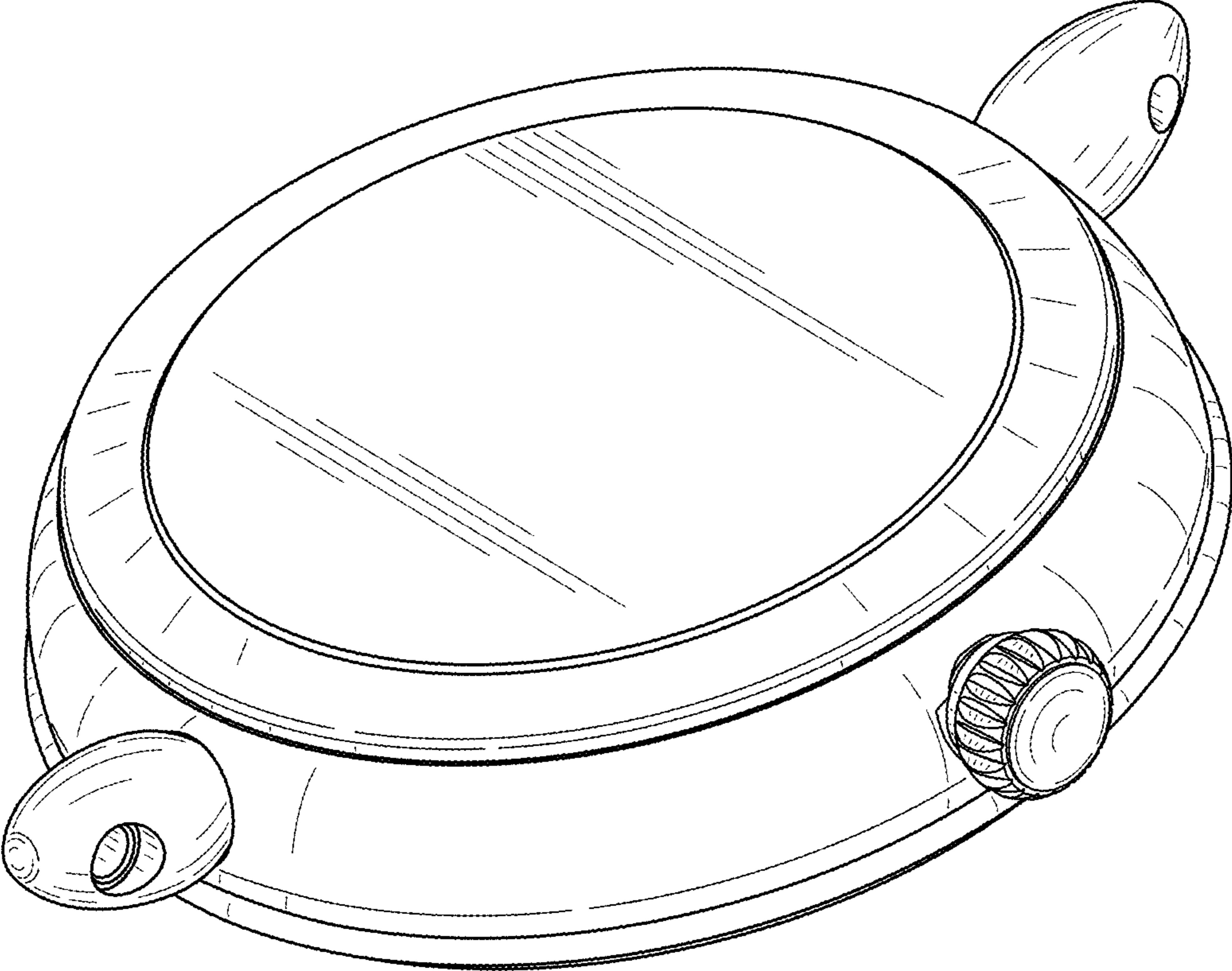


FIG. 8

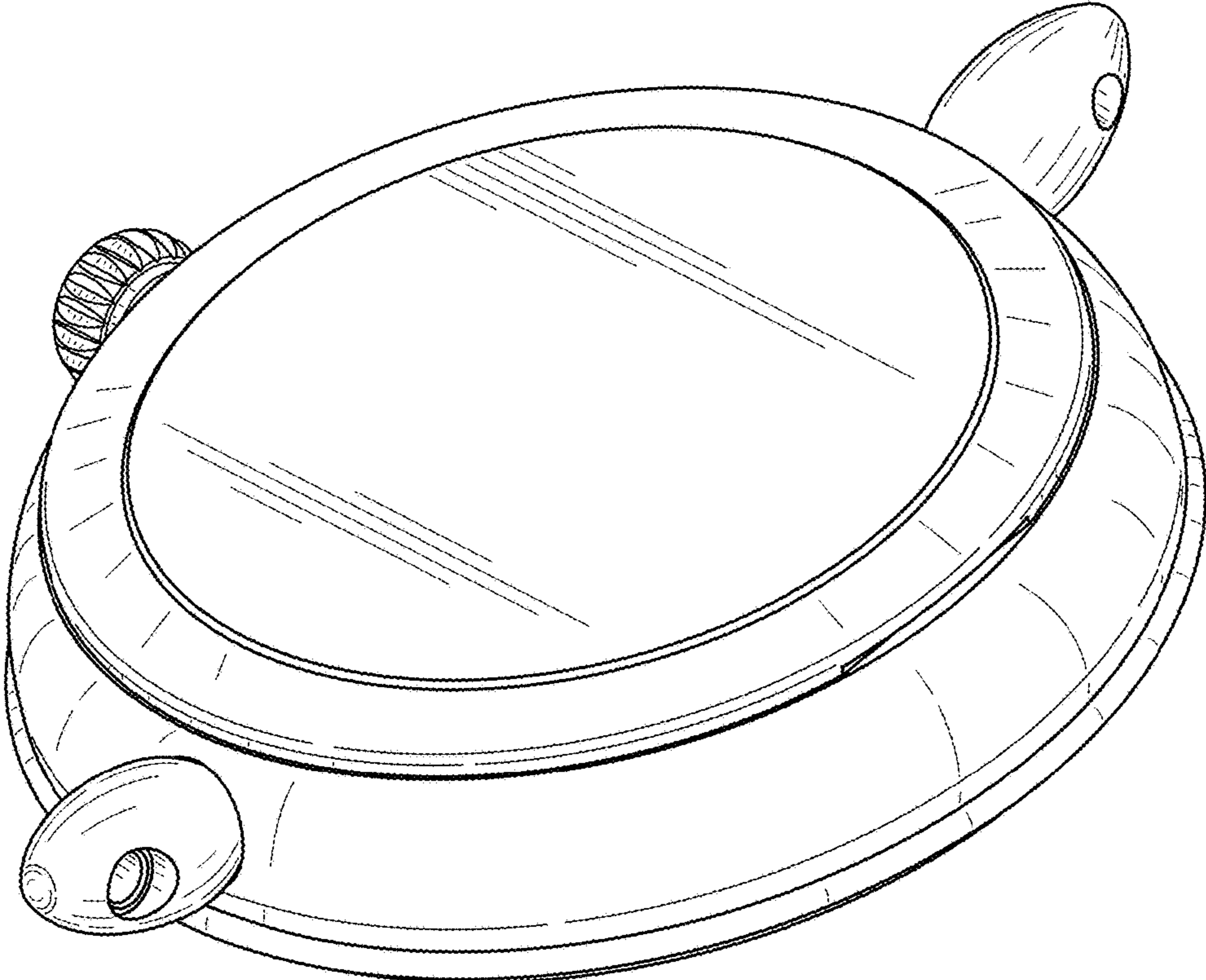


FIG. 9