

US00D799984S

(12) **United States Design Patent** (10) **Patent No.:** **US D799,984 S**  
**Lantz** (45) **Date of Patent:** **\*\* Oct. 17, 2017**

(54) **CONTAINER**

(71) Applicant: **Dave Lantz**, Bradenton, FL (US)

(72) Inventor: **Dave Lantz**, Bradenton, FL (US)

(\*\*) Term: **15 Years**

(21) Appl. No.: **29/540,106**

(22) Filed: **Sep. 21, 2015**

(51) **LOC (10) Cl.** ..... **09-03**

(52) **U.S. Cl.**  
USPC ..... **D9/737**

(58) **Field of Classification Search**

USPC ..... D9/549, 558, 518, 552, 573-575, 746,  
D9/300, 424, 434, 454, 453, 428, 435,  
D9/686, 690, 692, 715, 716, 719, 721,  
D9/737, 738, 743, 751, 752, 761, 741,  
D9/747; D7/509-511, 563, 573, 513,  
D7/507, 523, 532, 538-545, 300, 308,  
D7/312, 315, 601, 602, 619.1, 622, 629,  
D7/608, 305, 603, 605, 619, 700, 614;  
D3/201, 203.1, 203.3; D6/534, 528, 551;

(Continued)

(56) **References Cited**

U.S. PATENT DOCUMENTS

1,188,172 A 6/1916 Hawkes  
2,335,016 A \* 11/1943 Lorenzen ..... A61J 1/03  
206/538

(Continued)

*Primary Examiner* — Cathron Brooks

*Assistant Examiner* — Teddy Falloway

(74) *Attorney, Agent, or Firm* — Martin & Ferraro, LLP

(57) **CLAIM**

The ornamental design for a container, as shown and described.

**DESCRIPTION**

FIG. 1 is a top perspective view of a container showing the new design;

FIG. 2 is a bottom perspective view of the container;

FIG. 3 is a front side elevational view of the container, the rear side elevational view being a mirror image thereof;

FIG. 4 is a right side elevational view of the container, the left side elevational view being a mirror image thereof;

FIG. 5 is a top plan view of the container;

FIG. 6 is a bottom plan view of the container;

FIG. 7 is an exploded view of the container of FIG. 1 showing a base portion and a lid portion of the container separated from one another;

FIG. 8 is a top perspective view of the base portion of the container of FIG. 1, shown separately for completeness of illustration;

FIG. 9 is a bottom perspective view of the base portion;

FIG. 10 is a front side elevational view of the base portion, the rear side elevational view being a mirror image thereof;

FIG. 11 is a right side elevational view of the base portion, the left side elevational view being a mirror image thereof;

FIG. 12 is a top plan view of the base portion;

FIG. 13 is bottom plan view of the base portion;

FIG. 14 is a top perspective view of the lid portion of the container of FIG. 1, shown separately for completeness of illustration;

FIG. 15 is a bottom perspective view of the lid portion;

FIG. 16 is a front side elevational view of the lid portion, the rear side elevational view being a mirror image thereof;

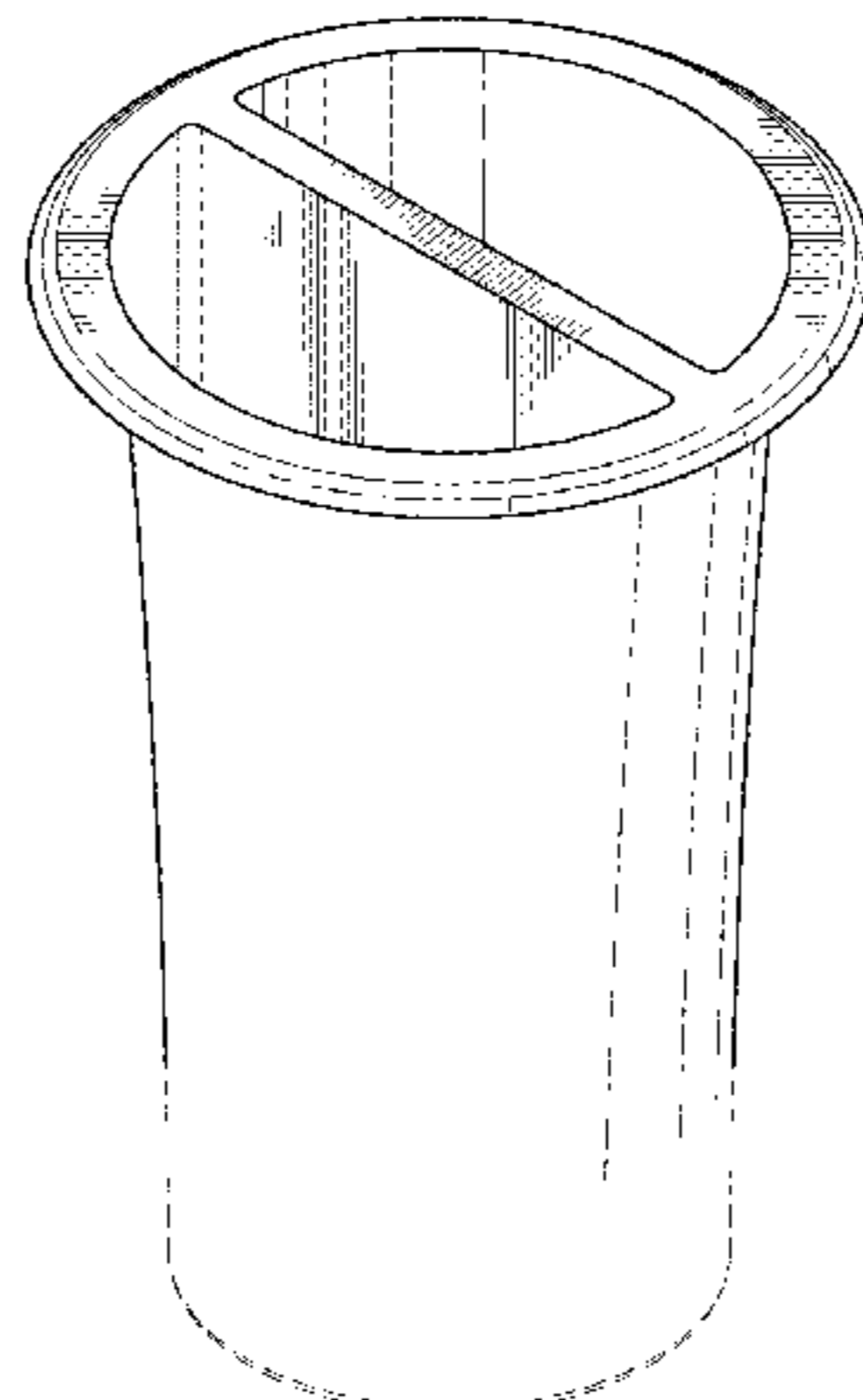
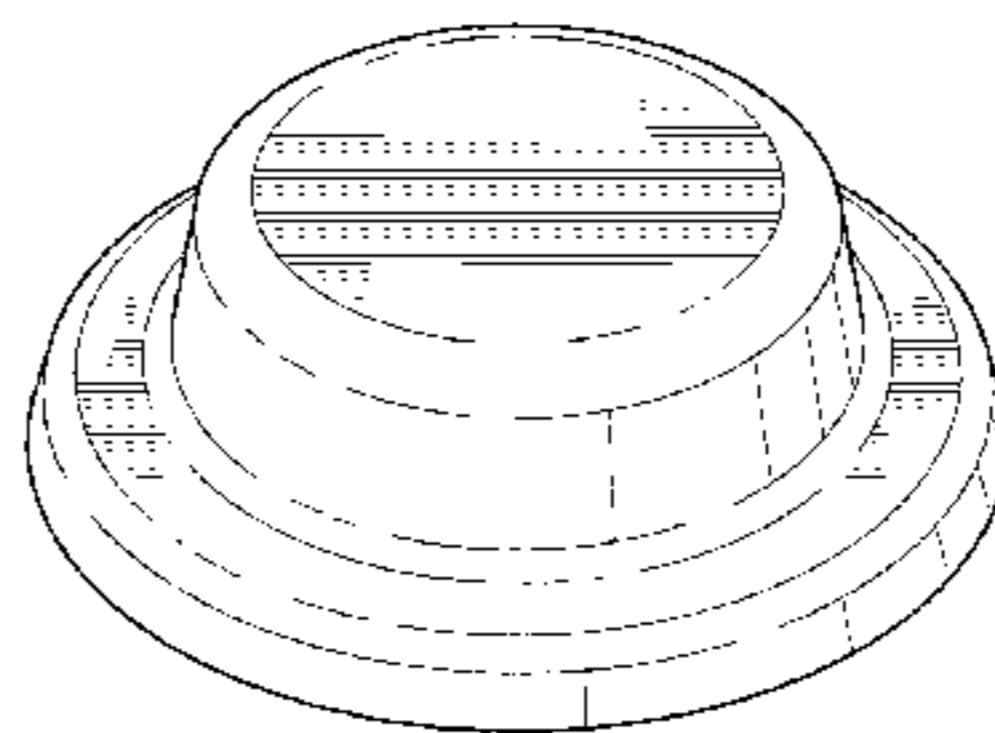
FIG. 17 is a right side elevational view of the lid portion, the left side elevational view being a mirror image thereof;

FIG. 18 is a top plan view of the lid portion; and,

FIG. 19 is a bottom plan view of the lid portion.

The broken lines illustrate portions of the container and form no part of the claimed design.

**1 Claim, 12 Drawing Sheets**



# US D799,984 S

Page 2

(58) **Field of Classification Search**

USPC .... D24/226, 227, 229; D28/4, 8, 73, 76, 77,  
D28/82, 91; 264/532; 222/129, 94, 135,  
222/541.1, 541.5, 541.6, 562, 288, 376;  
220/505, 504, 288, 709, 23.4, 23.8, 23.88,  
220/633, 916, 23.83, 660, 662, 669, 675,  
220/212, 670-673; 215/6, 10, 1 R, 1 C,  
215/379, 381-385, 316, 328, 355;  
206/434, 426, 427, 429, 430, 485, 485.1,  
206/499, 508, 431; 229/117.3, 185, 121,  
229/122, 200, 207, 236, 87.01; 211/74  
CPC ..... A24F 23/00; A45D 40/00; B65D 81/3205;  
B65D 1/16; B65D 1/48; B65D 25/20;  
B65D 41/04; B65D 1/10; B65D 1/00;  
A45F 3/20  
See application file for complete search history.

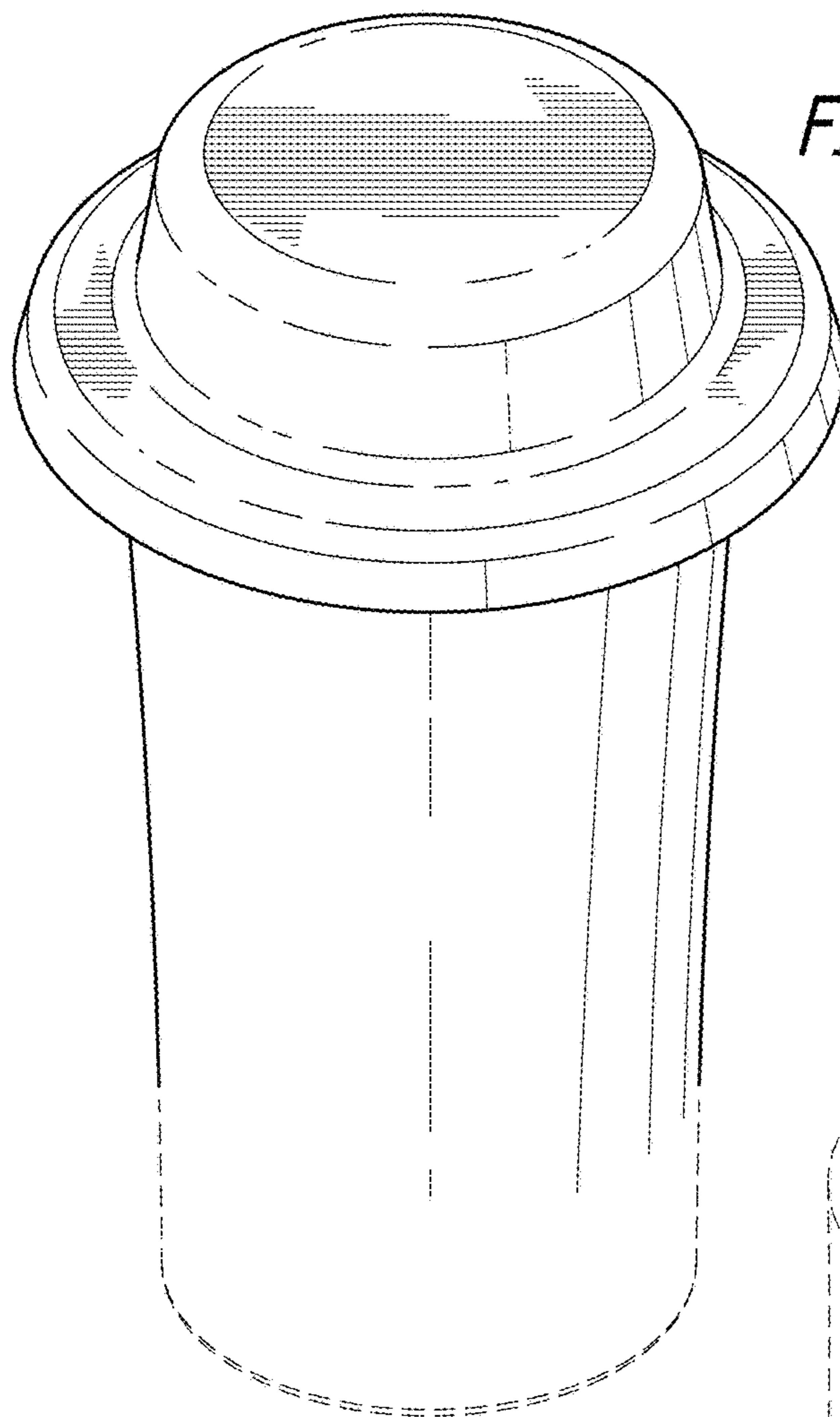
3,321,097 A	5/1967	Solowey	
3,720,522 A	3/1973	Nakagami	
3,720,523 A	3/1973	Nakagami	
3,720,524 A	3/1973	Nakagami	
D283,595 S *	4/1986	Fortuna .....	D9/428
D283,596 S *	4/1986	Fortuna .....	D7/510
D283,677 S *	5/1986	Fortuna .....	D7/511
D283,793 S *	5/1986	Fortuna .....	D9/428
D284,350 S *	6/1986	Fortuna .....	D9/428
4,762,251 A	8/1988	Berger	
4,952,068 A	8/1990	Flint	
5,242,071 A *	9/1993	Goebel .....	B65D 21/0233 206/515
D355,735 S *	2/1995	Shaffer .....	D32/53
D402,559 S *	12/1998	Klima, Jr. ....	D9/434
D409,442 S *	5/1999	Kilpatrick .....	D7/509
D502,398 S *	3/2005	Leonzo .....	D9/438
D645,748 S *	9/2011	Sharma .....	D7/629
D655,124 S *	3/2012	Schenk .....	D7/307
8,777,044 B1 *	7/2014	Raymus .....	A47G 19/2272 215/12.1
9,289,083 B2 *	3/2016	Lee .....	A47G 19/30
D766,716 S *	9/2016	Logel .....	D9/434
D787,741 S *	5/2017	Paquet .....	D28/7
2008/0217280 A1 *	9/2008	Dekker .....	A23L 2/52 215/6

(56) **References Cited**

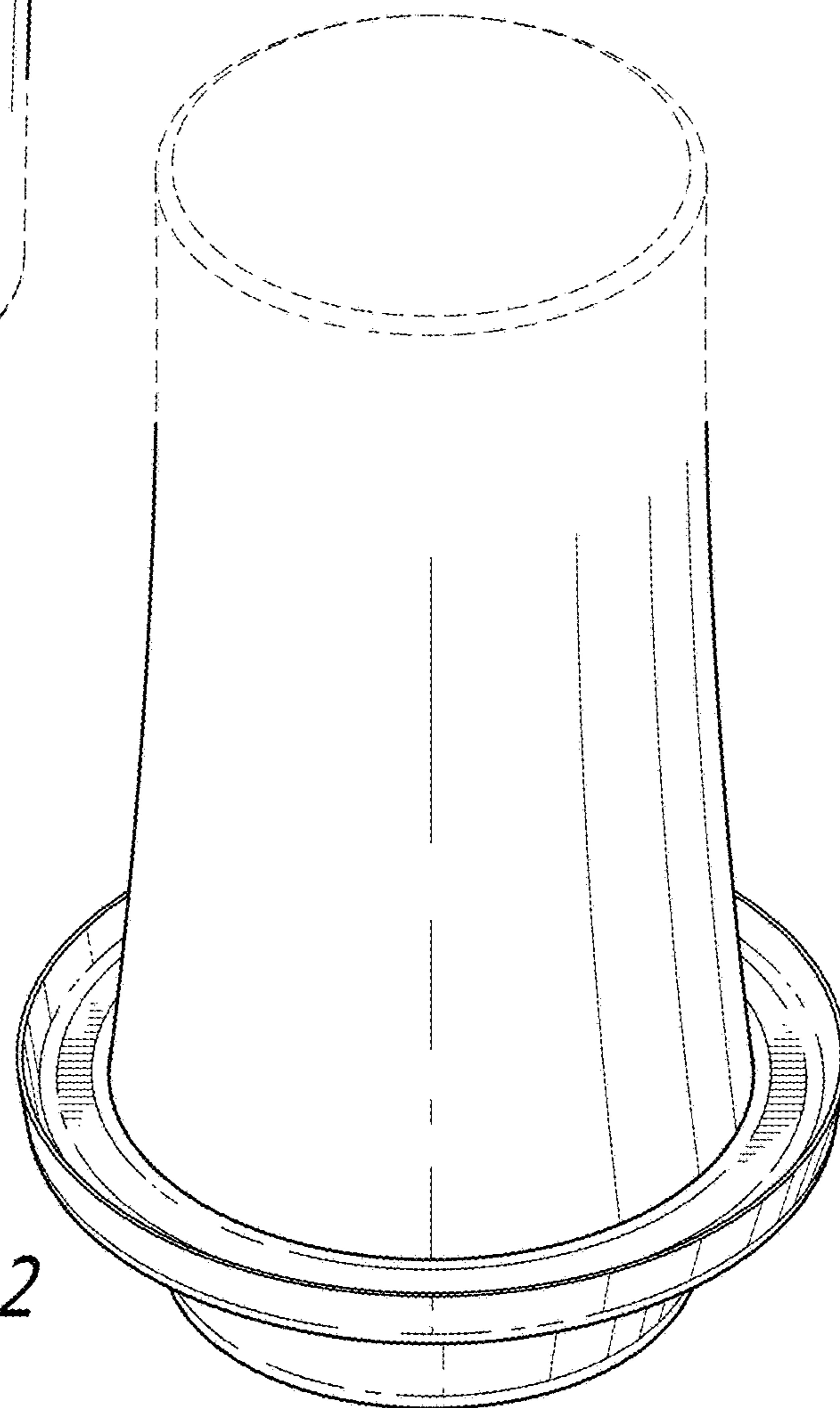
U.S. PATENT DOCUMENTS

2,753,990 A 7/1956 Chaffin et al.  
3,057,536 A 10/1962 Warnsdorfer, Jr. et al.  
3,057,539 A 10/1962 Leary, Jr.

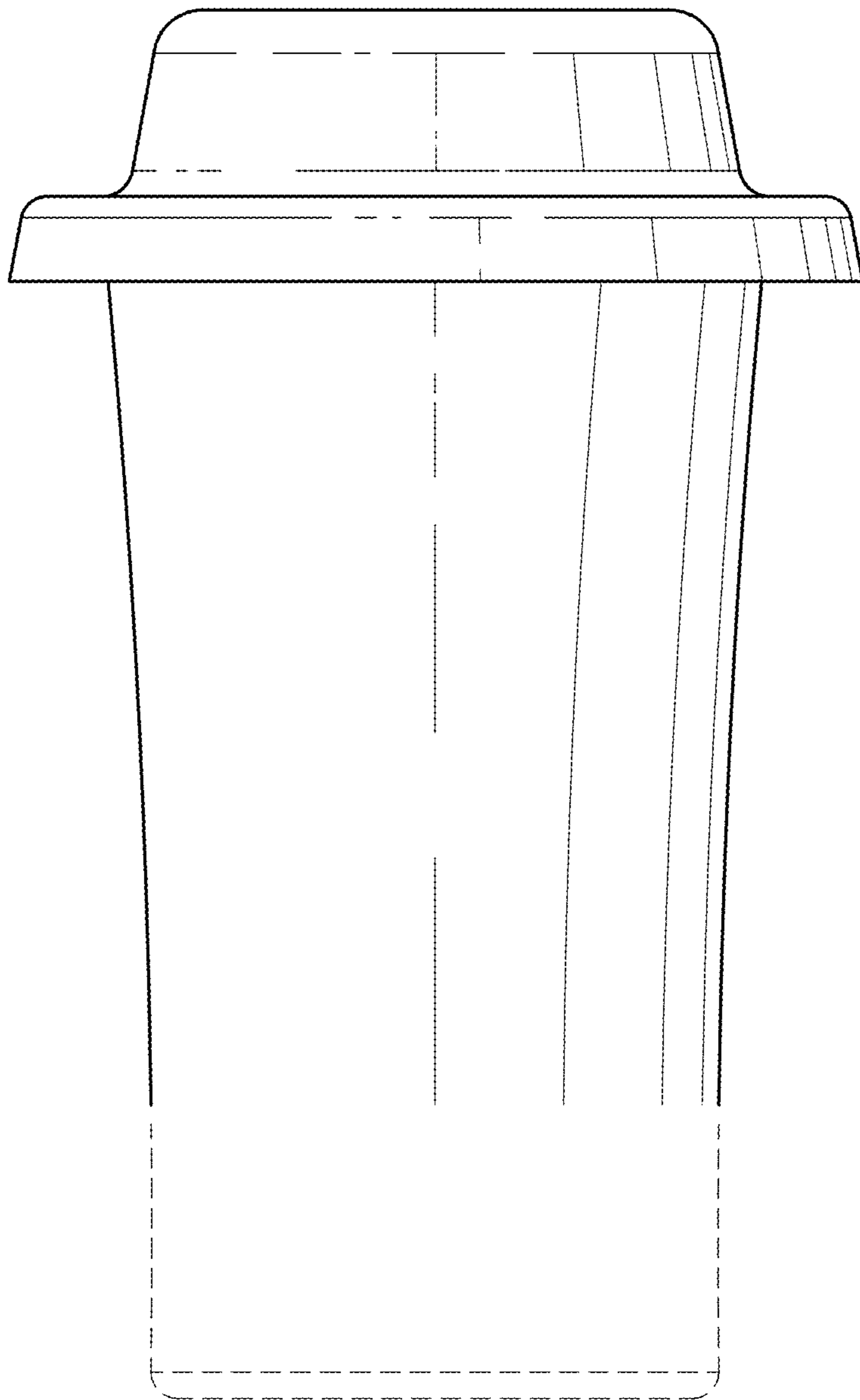
\* cited by examiner



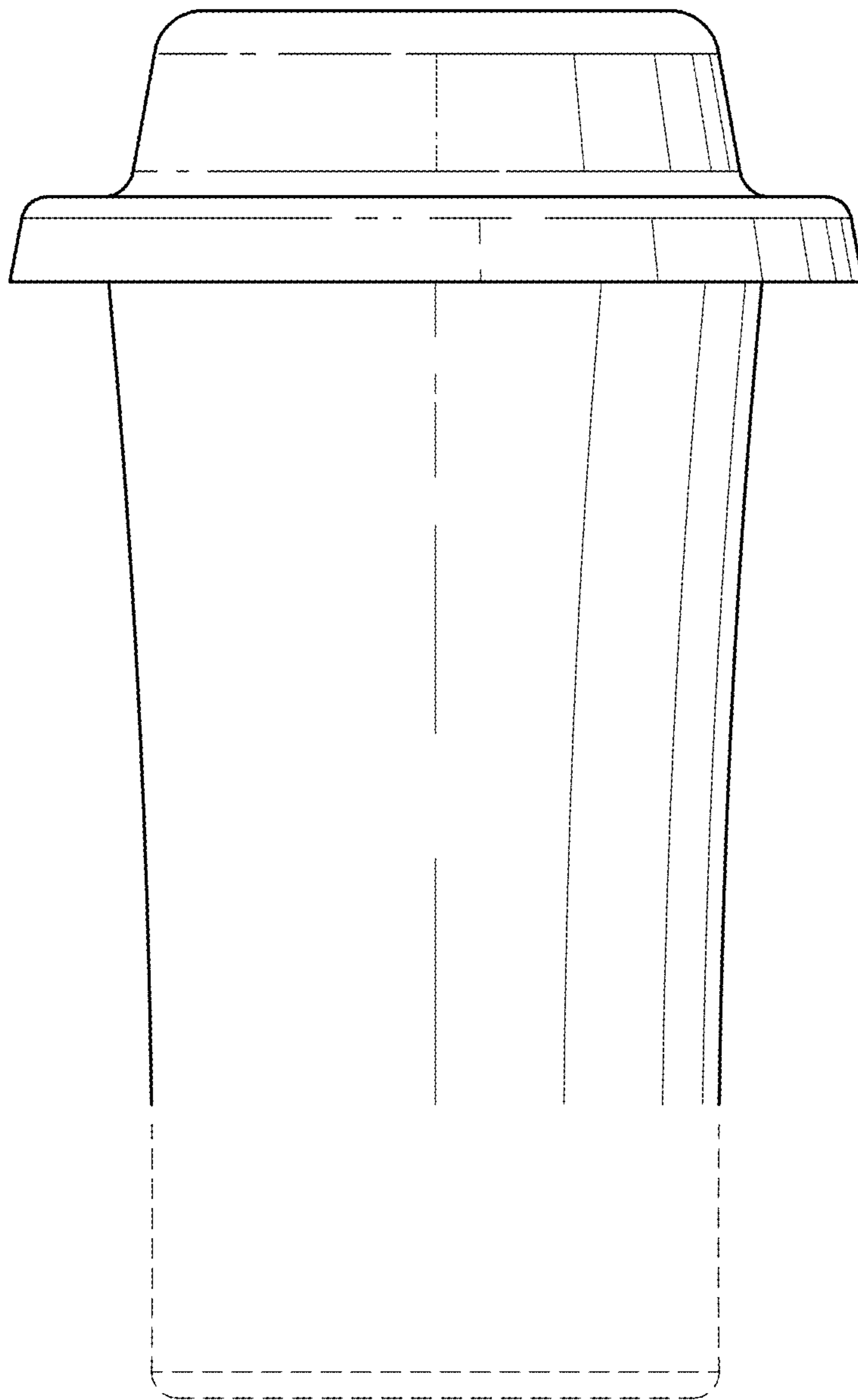
*FIG. 1*



*FIG. 2*



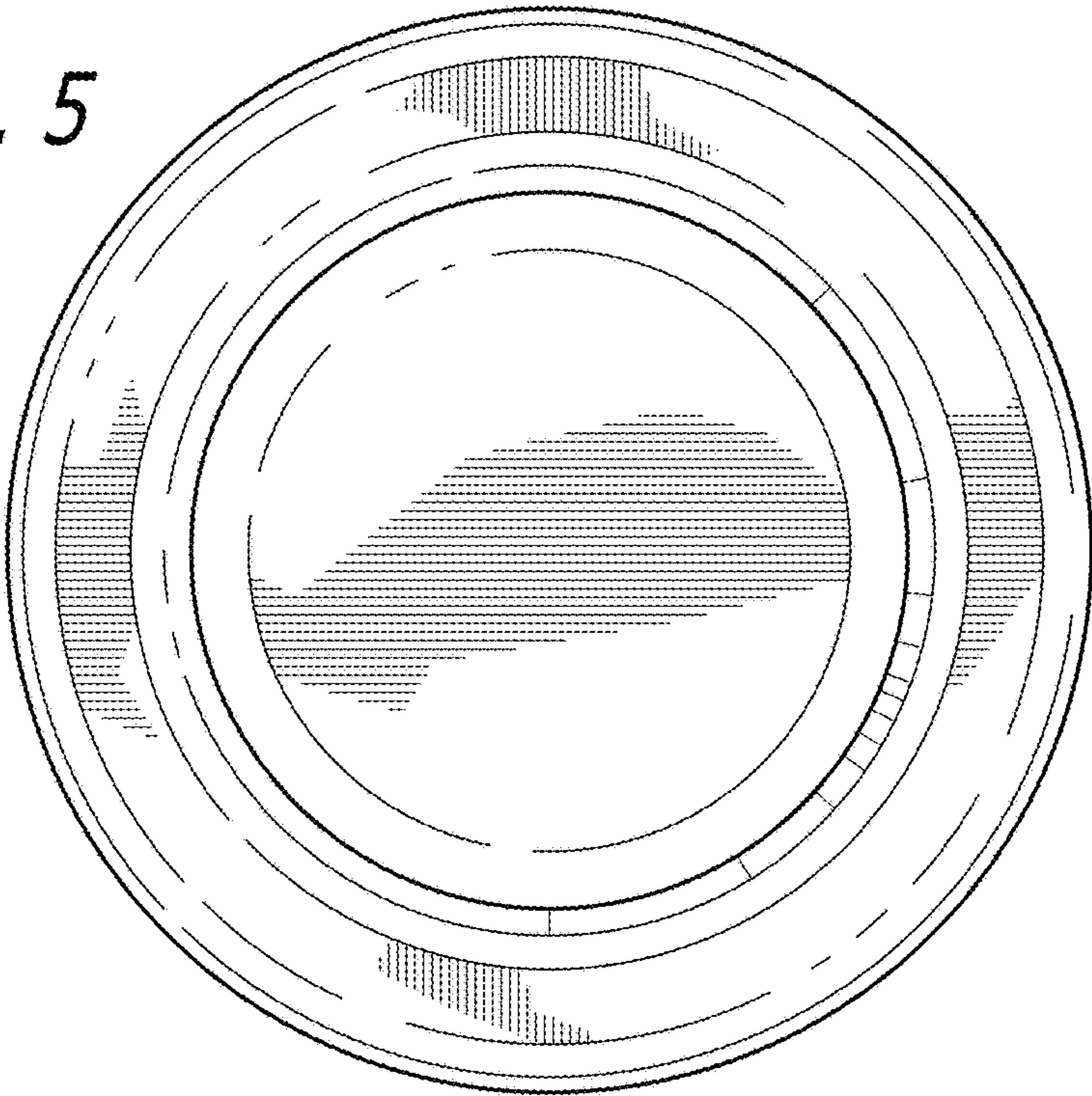
*FIG. 3*



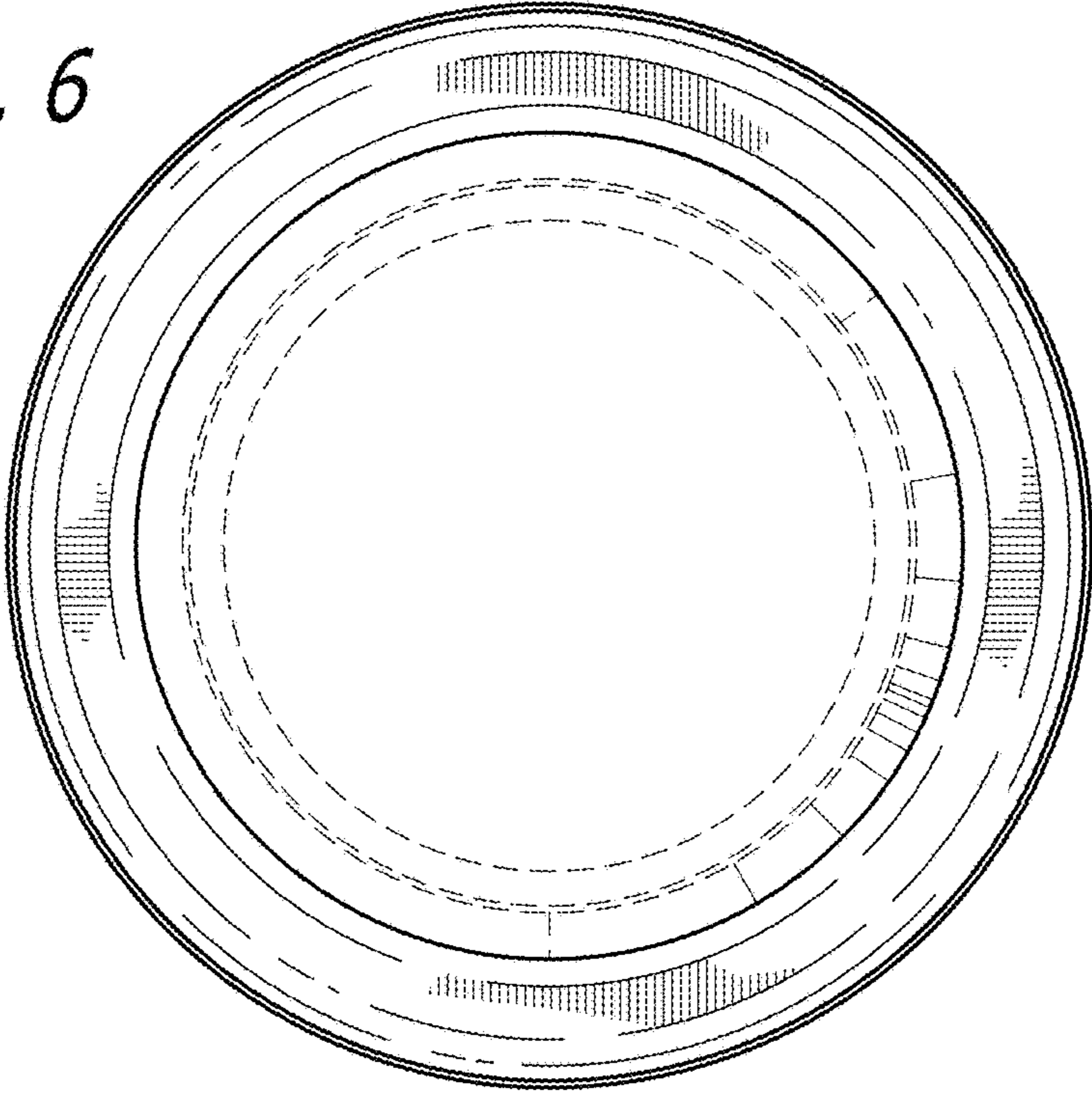
*FIG. 4*



*FIG. 5*



*FIG. 6*



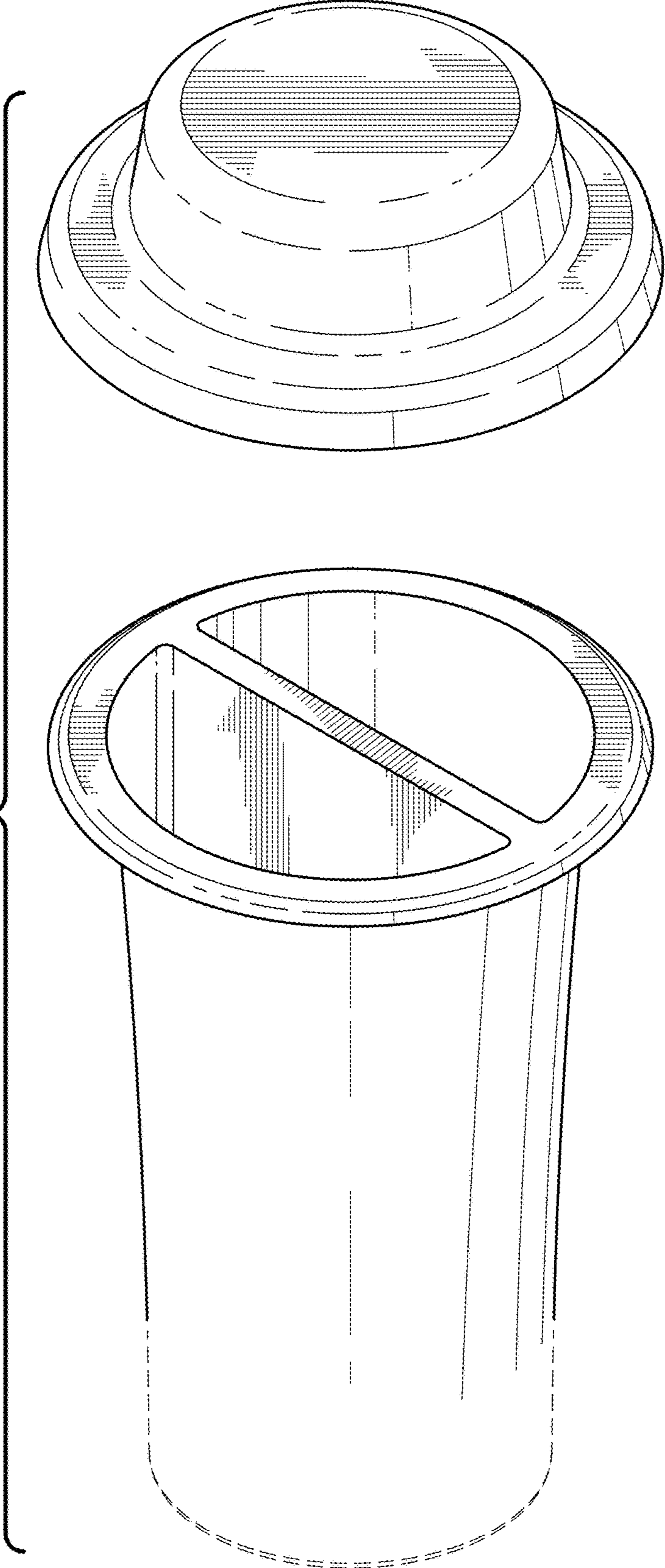
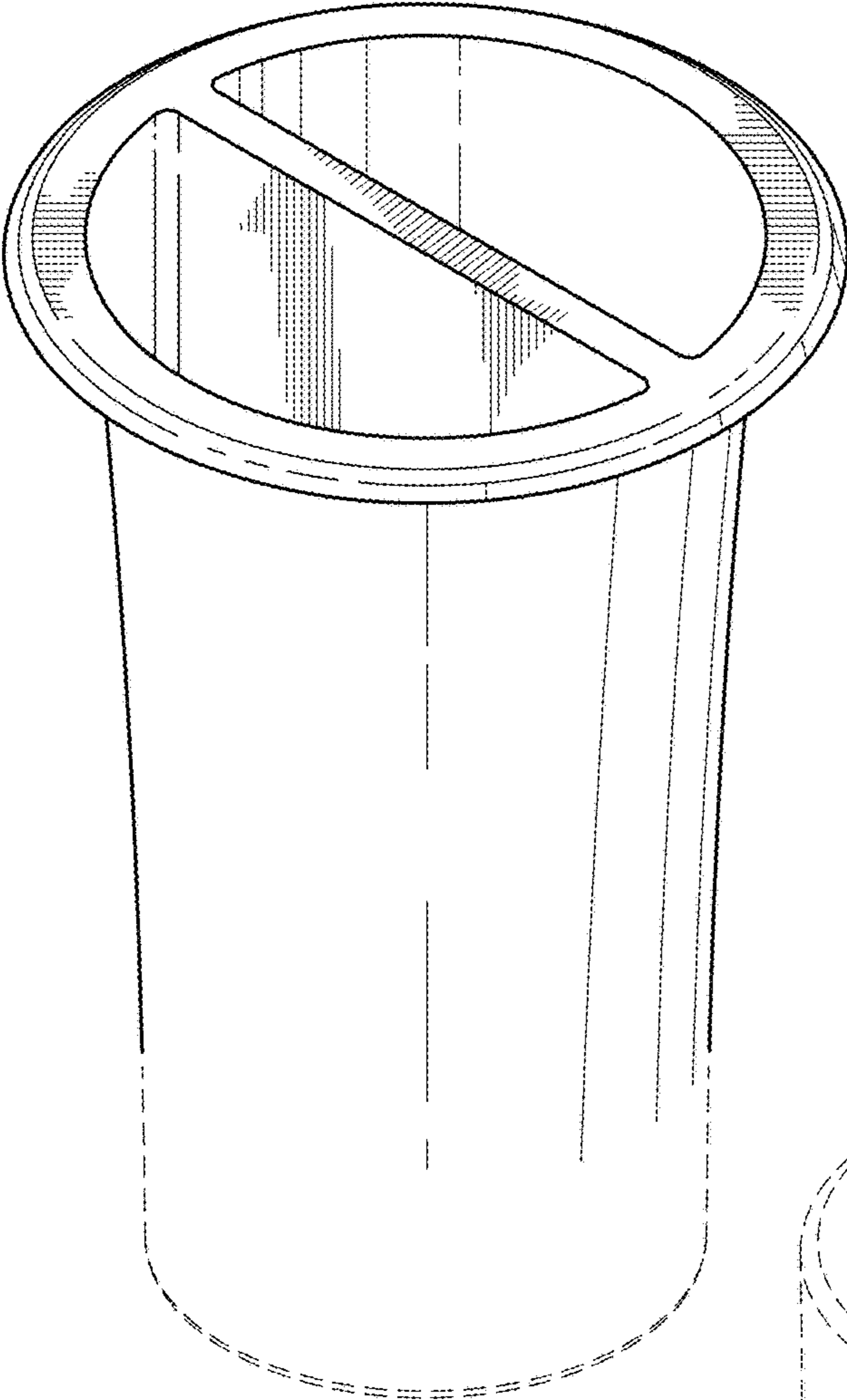
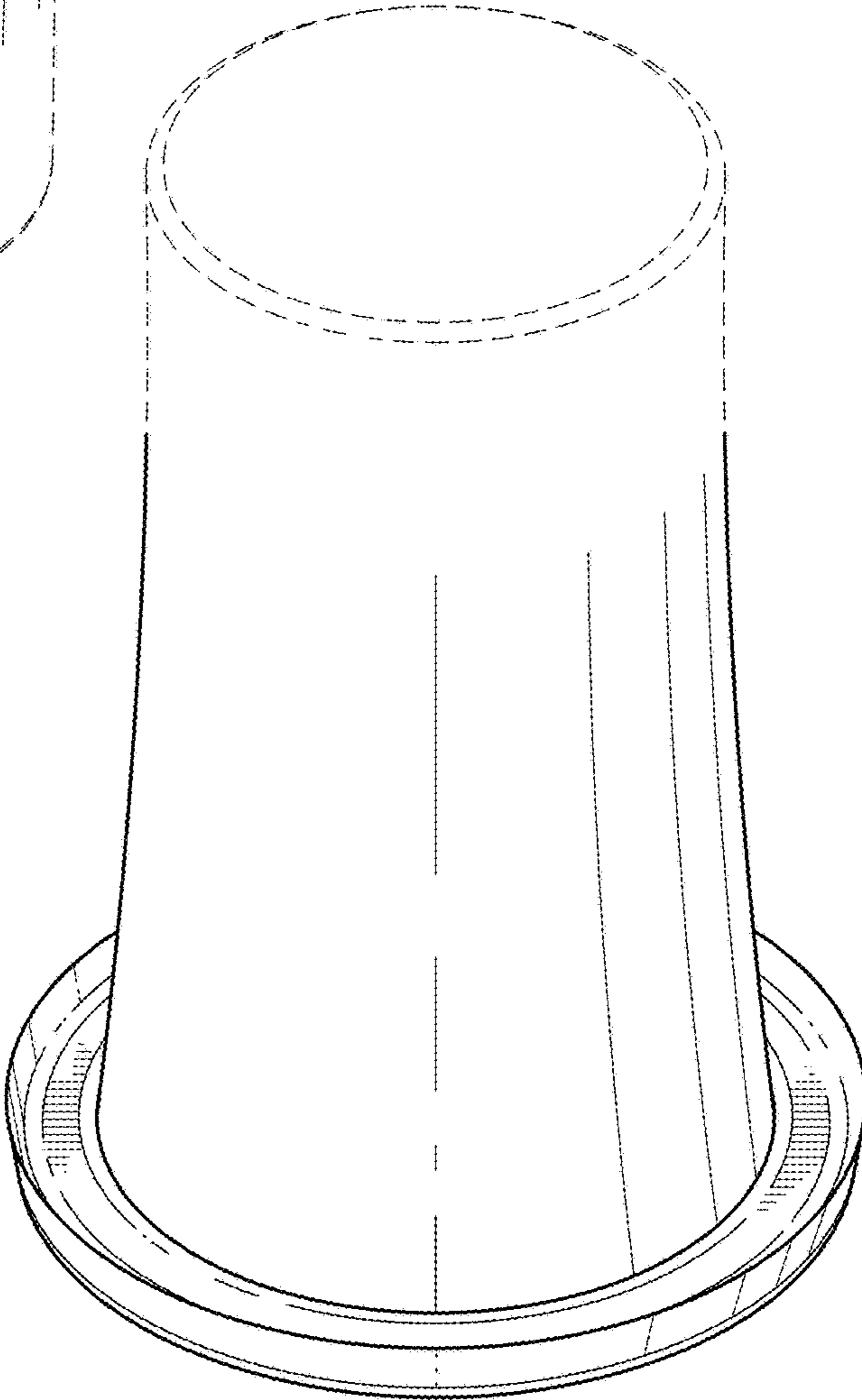


FIG. 7

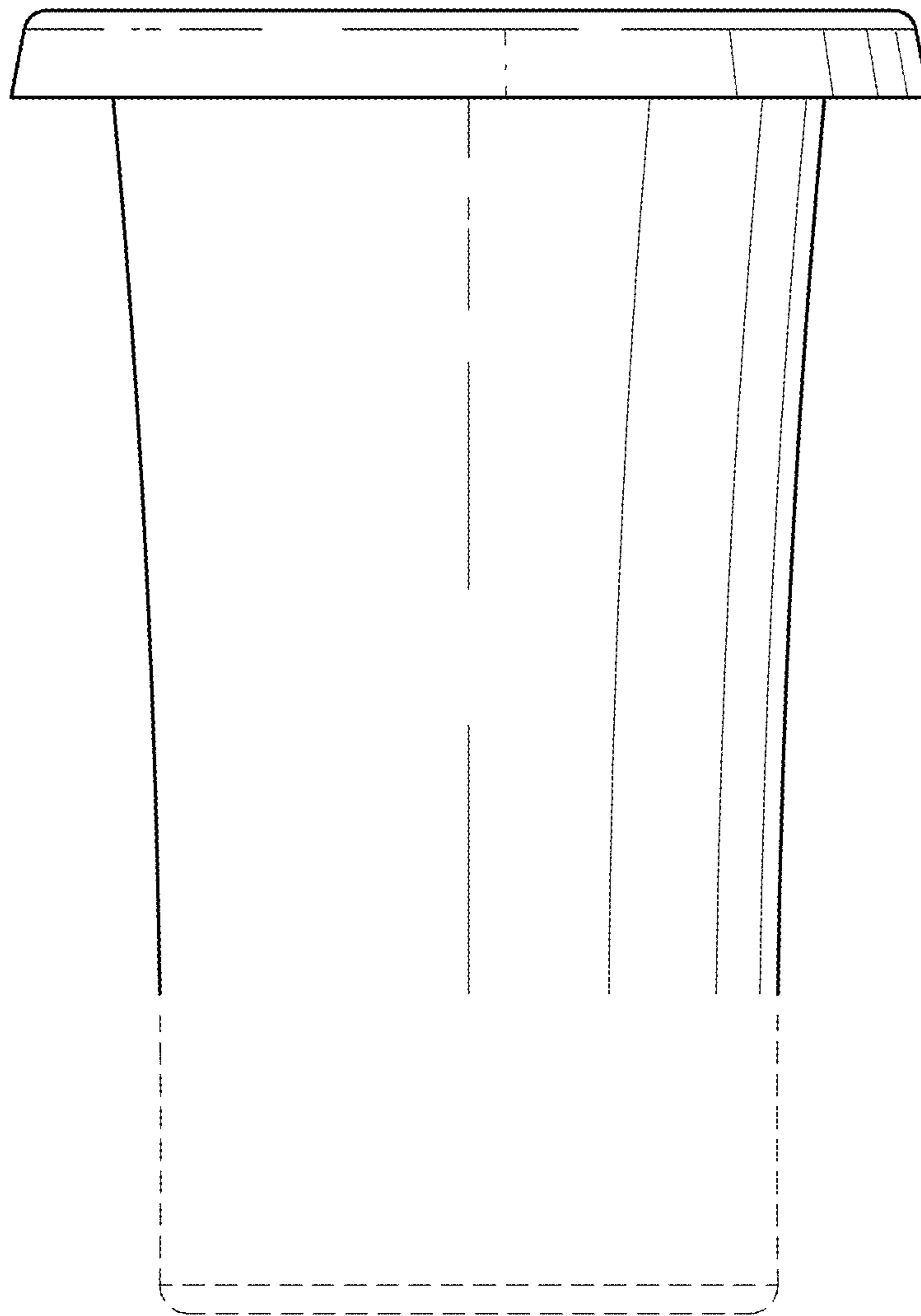


*FIG. 8*

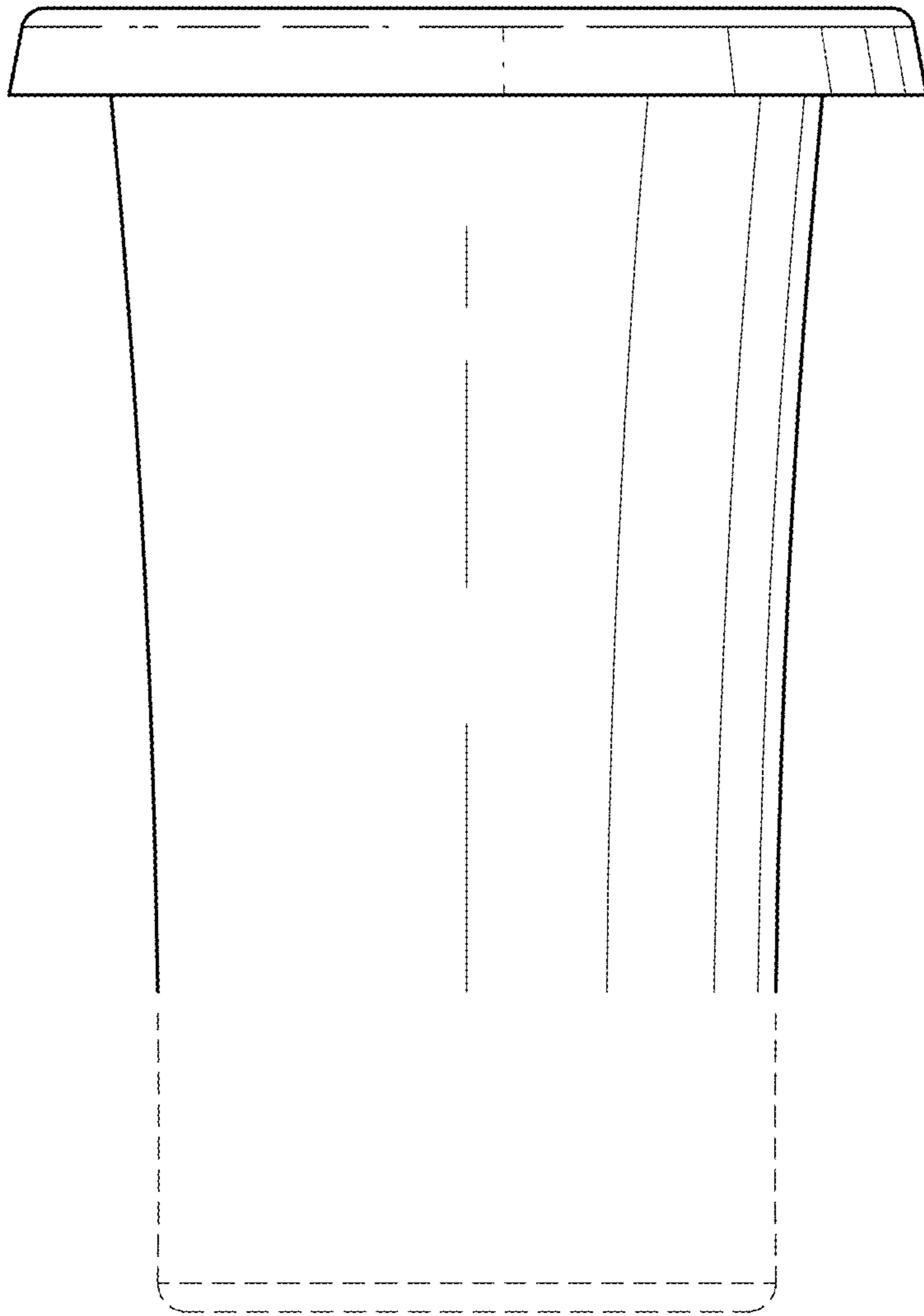


*FIG. 9*



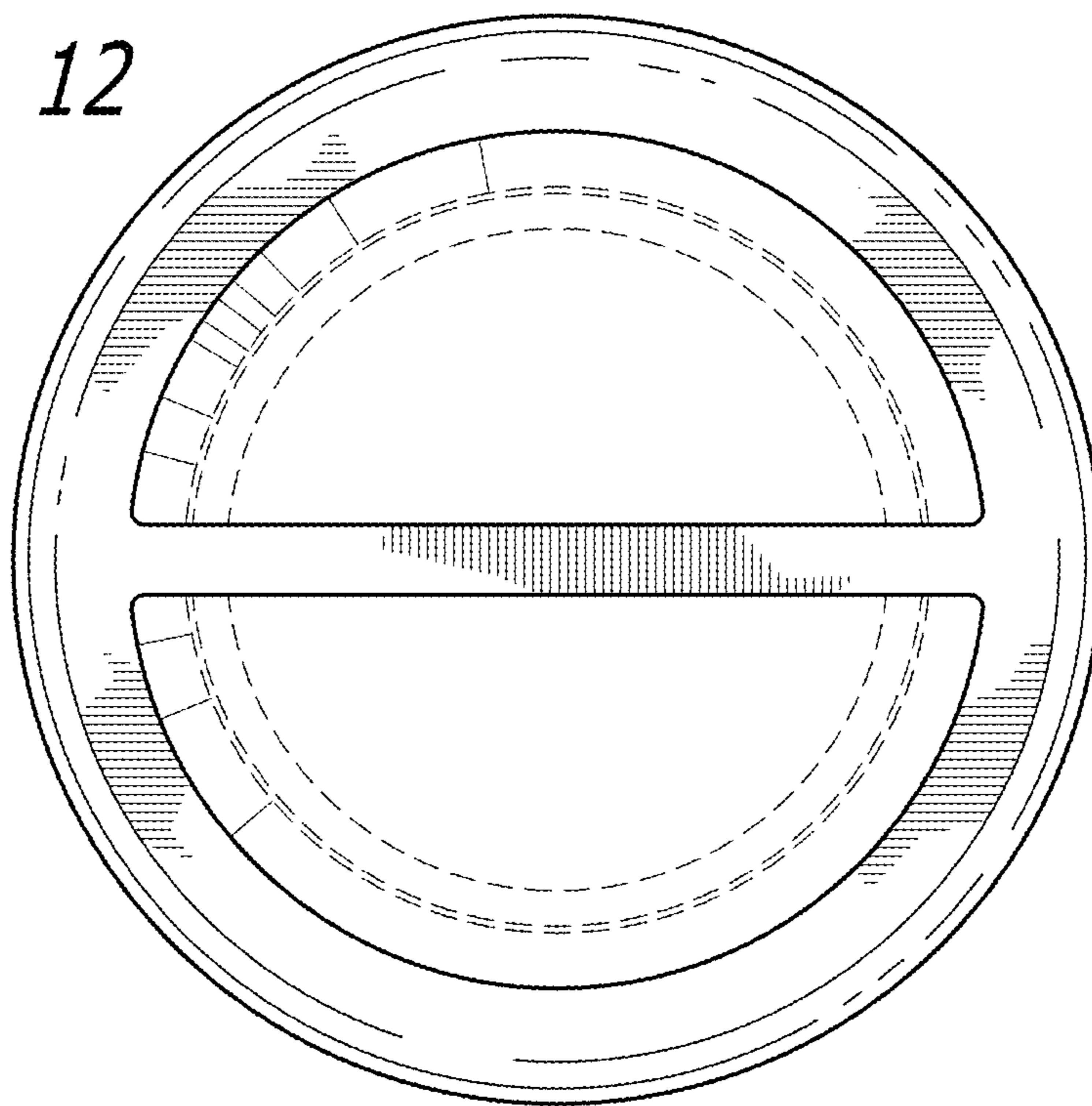


*FIG. 10*

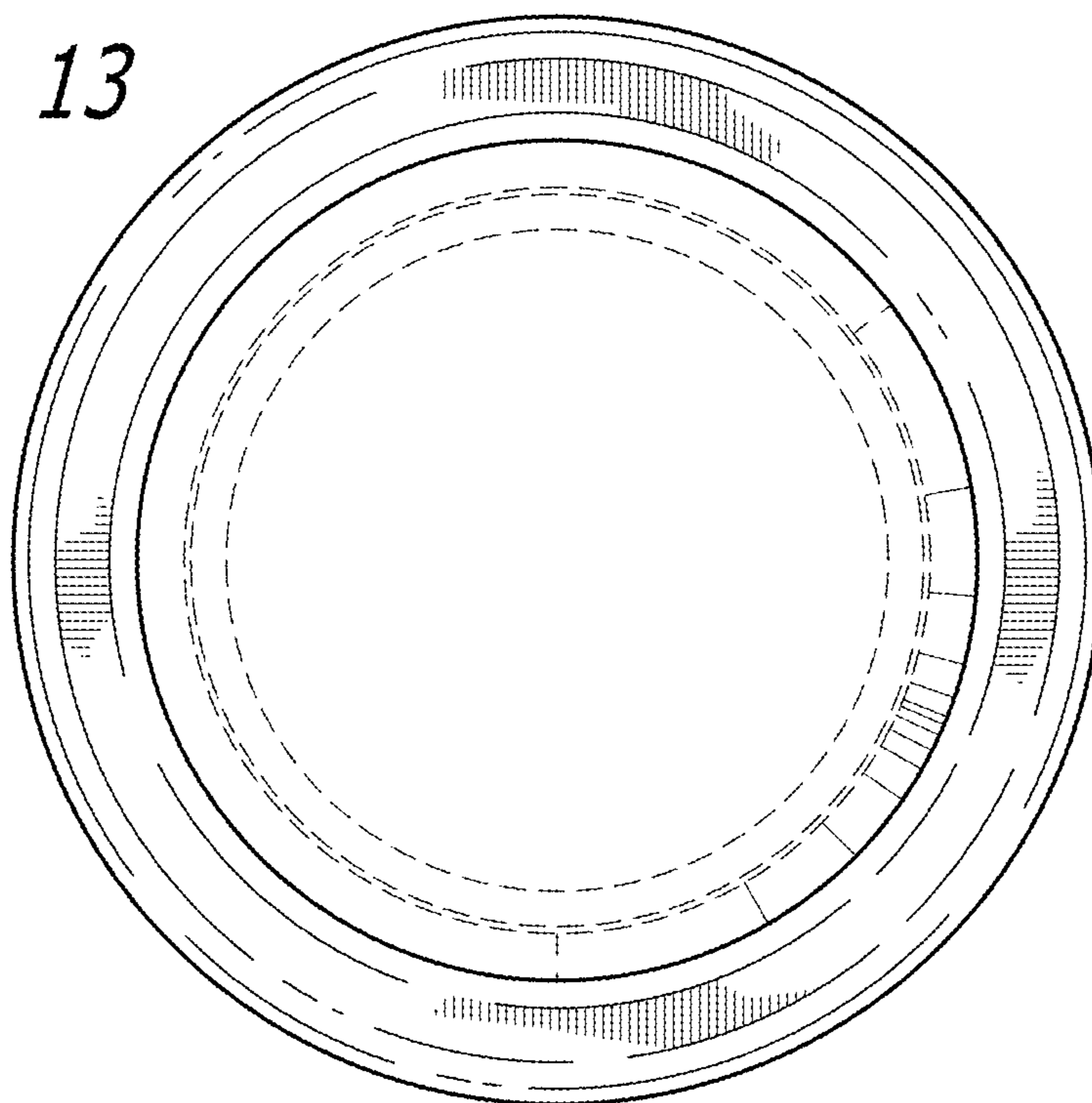


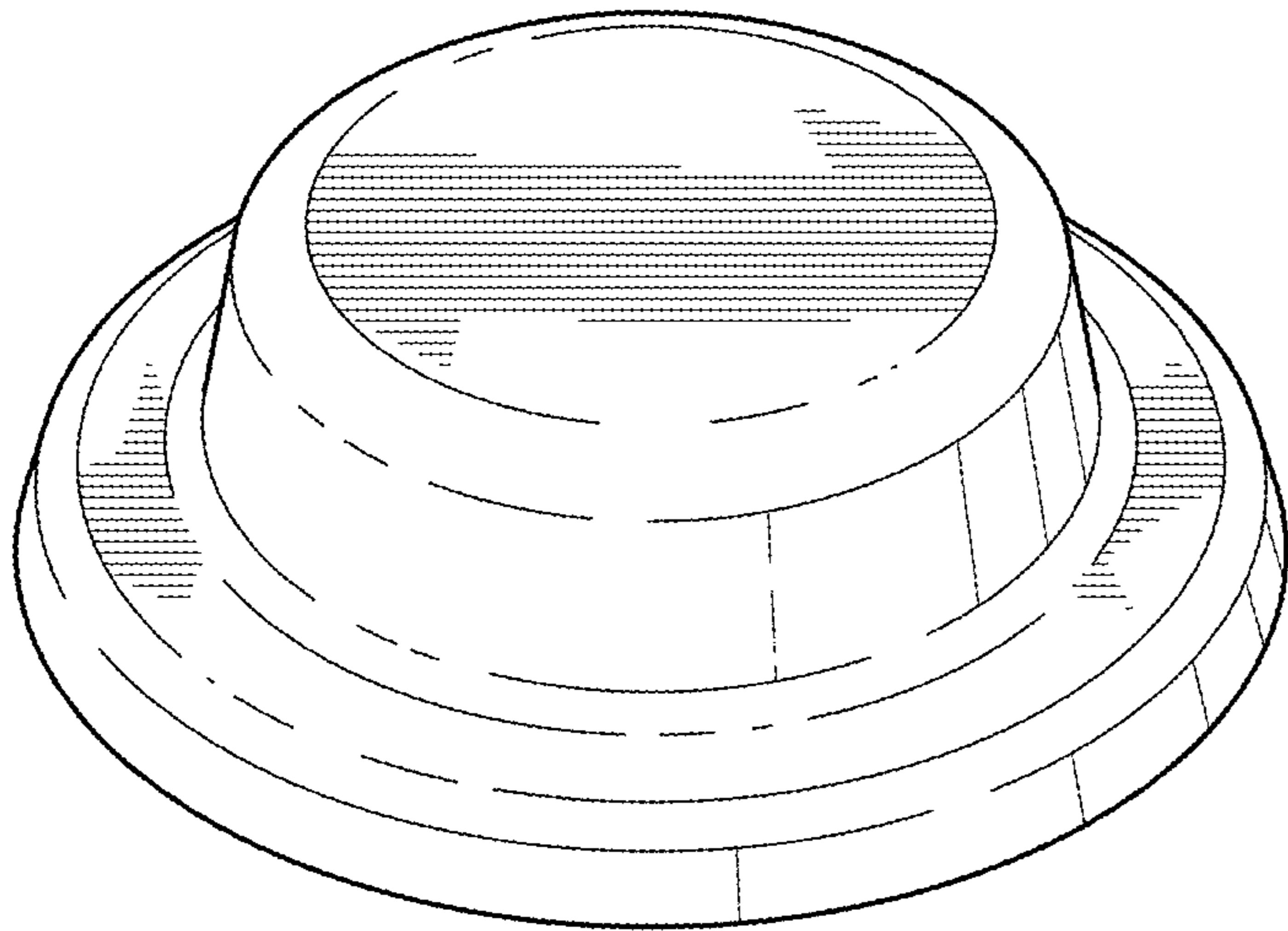
*FIG. 11*

*FIG. 12*

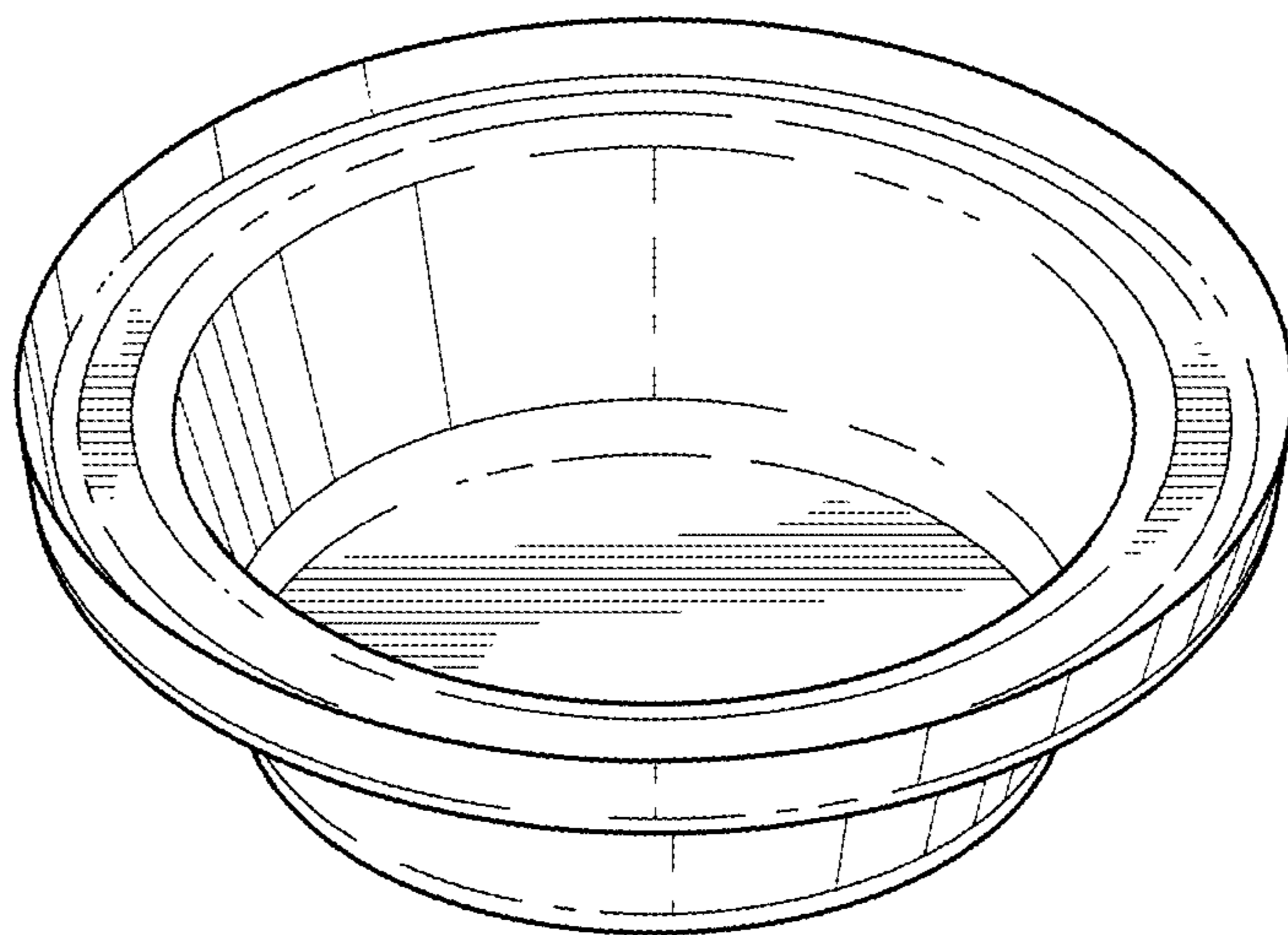


*FIG. 13*



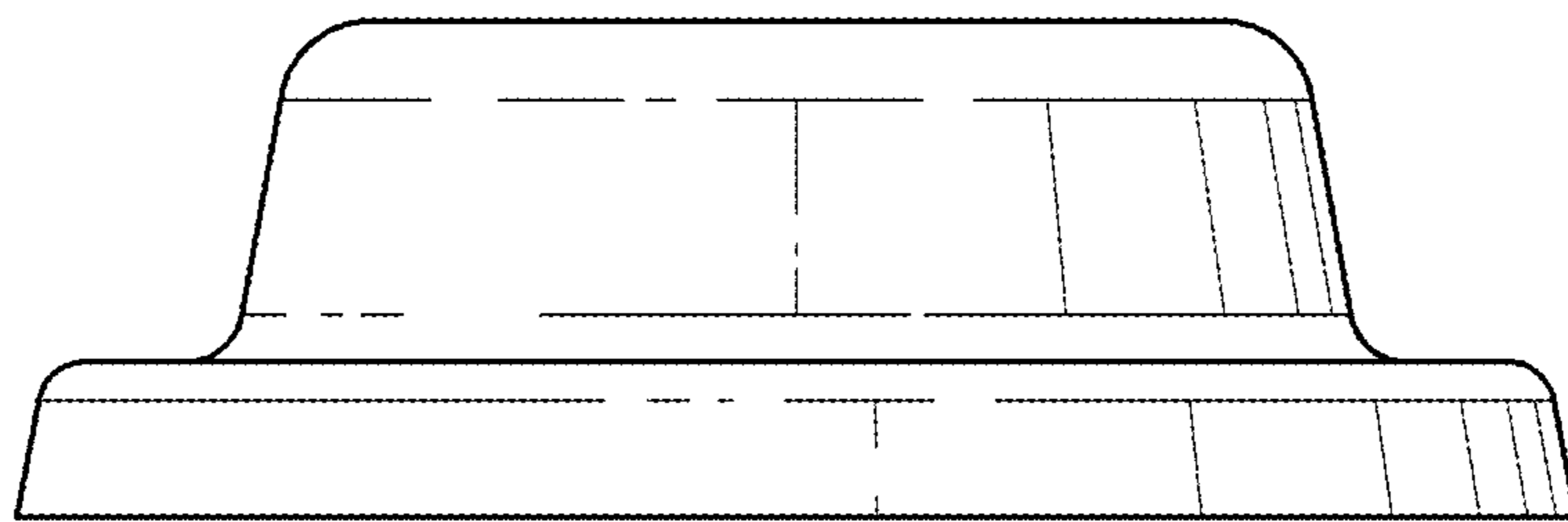


*FIG. 14*

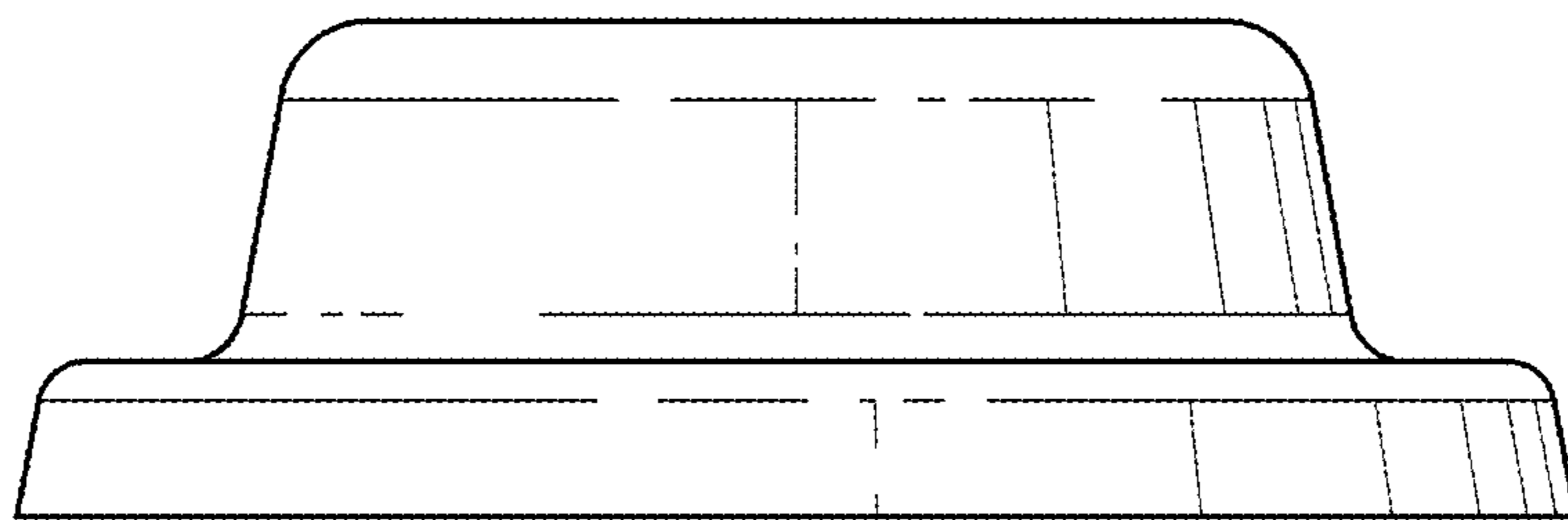


*FIG. 15*

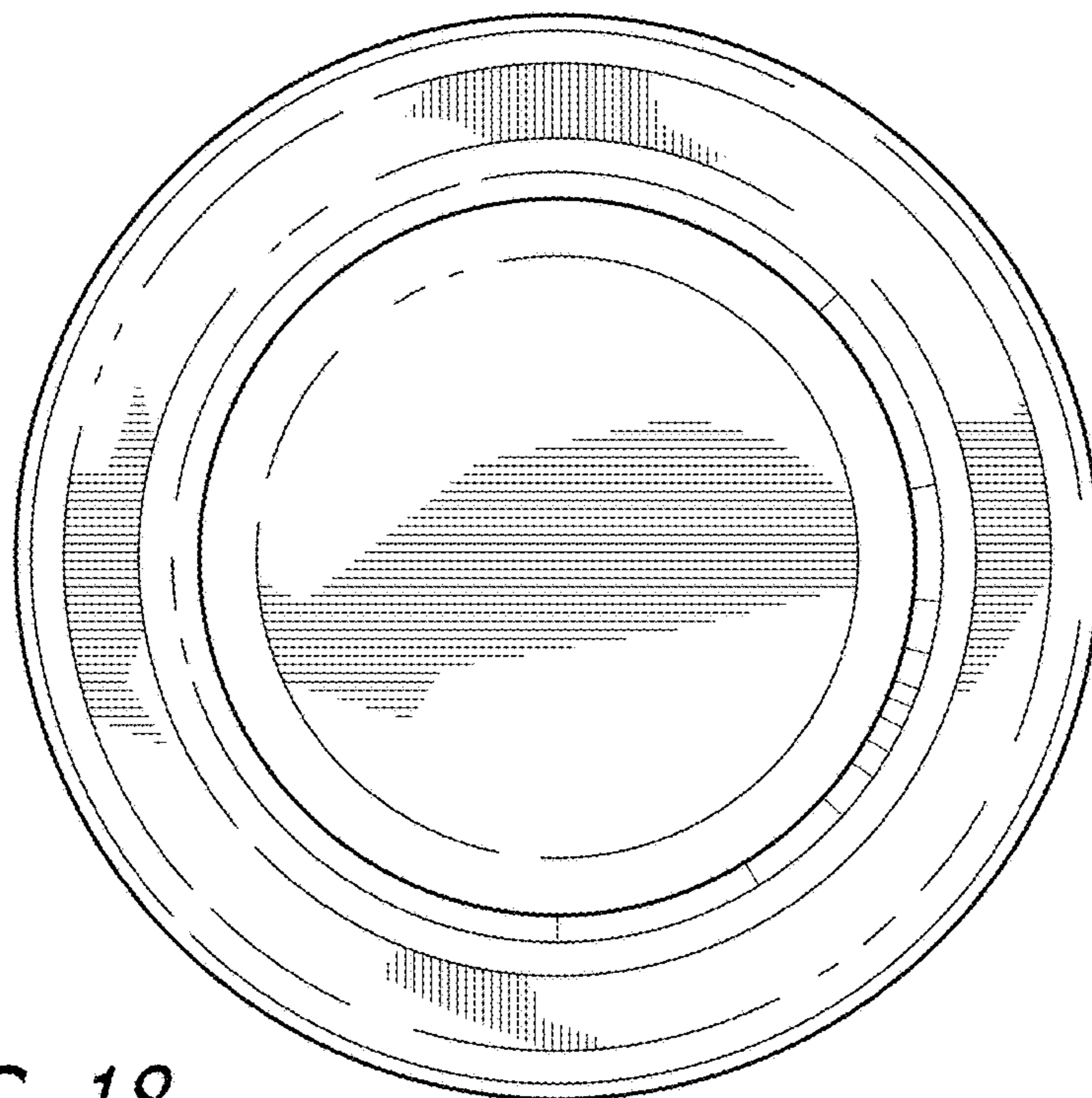




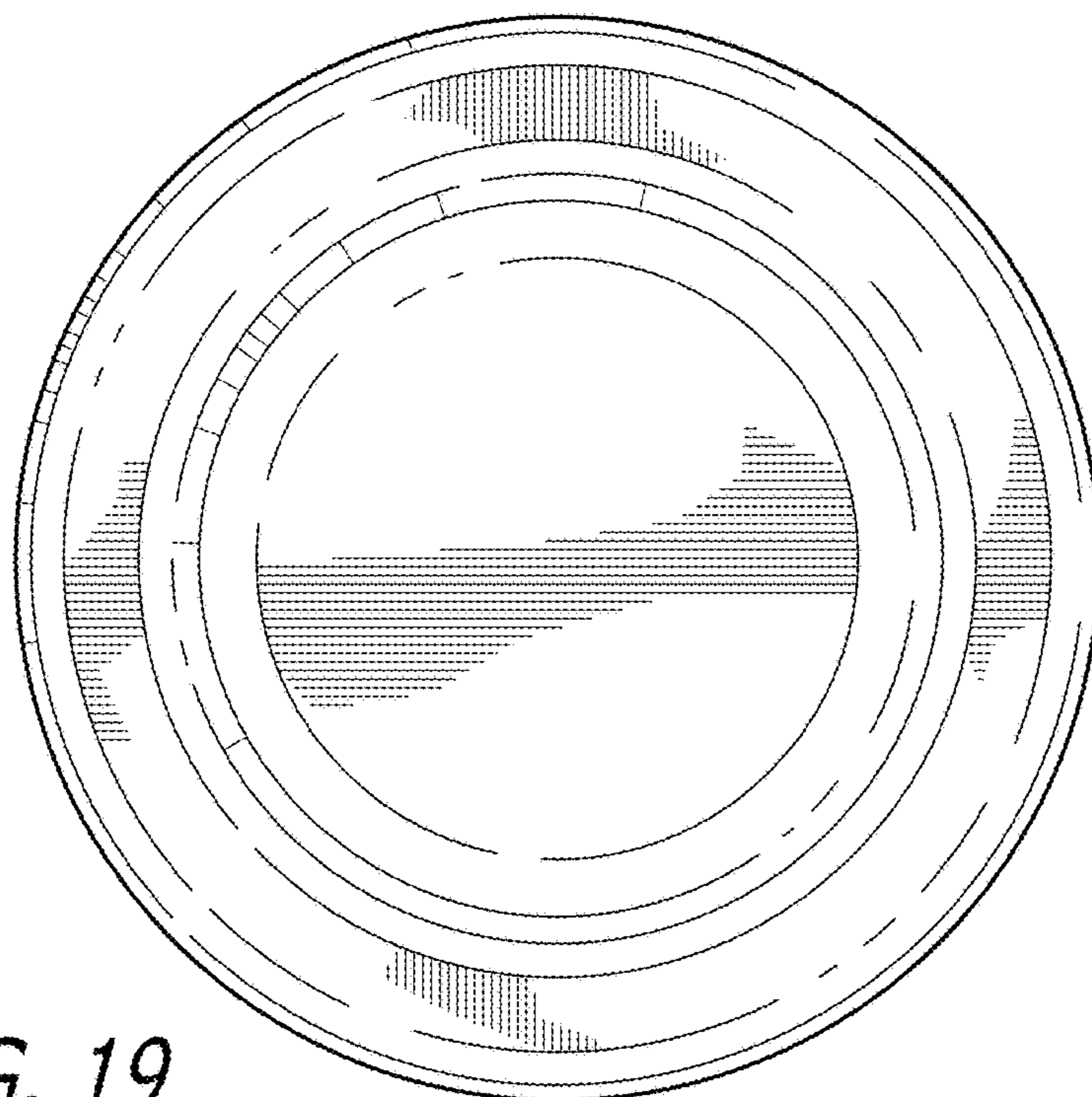
*FIG. 16*



*FIG. 17*



*FIG. 18*



*FIG. 19*