

US00D799981S

(12) **United States Design Patent** (10) **Patent No.:** **US D799,981 S**
Miyamoto (45) **Date of Patent:** **** Oct. 17, 2017**

(54) **PACKAGING BAG**

(71) Applicant: **GARUTSU CO., LTD.**, Tsuruga-shi, Fukui (JP)

(72) Inventor: **Takehisa Miyamoto**, Tsuruga (JP)

(73) Assignee: **CB-Biz Limited Liability Company**, Tsuruga-shi, Fukui (JP)

(**) Term: **15 Years**

(21) Appl. No.: **29/584,438**

(22) Filed: **Nov. 15, 2016**

(30) **Foreign Application Priority Data**

May 17, 2016 (JP) 2016-11884

(51) **LOC (10) Cl.** **09-05**

(52) **U.S. Cl.**
USPC **D9/703**

(58) **Field of Classification Search**
USPC D9/702-714, 720-722, 414, 434-435, D9/696, 716, 771, 447, 516-517, 440, D9/424, 430-432; D24/118, 207; 383/61.1, 80-81, 901, 203, 107, 119-120, 383/123, 67; 222/107, 92, 206, 215; 604/408, 403; 220/495.03, 675; 215/381-385, 400; 347/85, 88, 214; D3/202; 428/34.3; 128/DIG. 24; 426/106; D18/43, 56
CPC B65D 81/00; B65D 81/34; B65D 65/00; B65D 65/02; B65D 75/00; B65D 75/58; B65D 75/44; B65D 75/5855

See application file for complete search history.

(56) **References Cited**

U.S. PATENT DOCUMENTS

D333,610 S *	3/1993	Oshry	D6/626
D353,322 S *	12/1994	Oshry	D19/3
D364,086 S *	11/1995	Jacobson	D9/705
D384,273 S *	9/1997	Willis	D9/704
D534,811 S *	1/2007	Yashima	D9/702
D545,214 S *	6/2007	Carter	D9/703
D546,705 S *	7/2007	Suzuki	D9/415

* cited by examiner

Primary Examiner — Abraham Bahta

(74) *Attorney, Agent, or Firm* — Bacon & Thomas, PLLC

(57) **CLAIM**

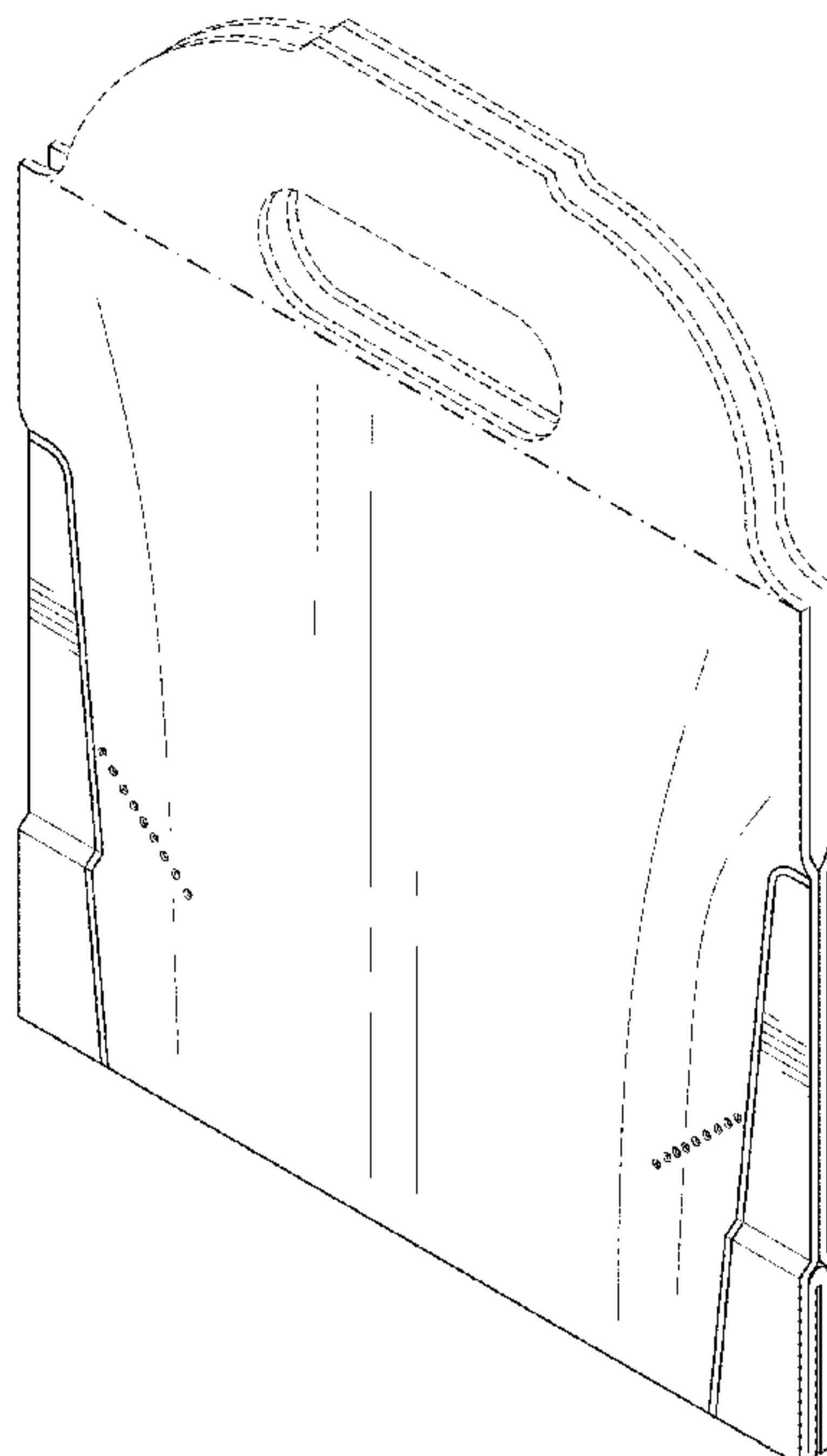
The ornamental design for a packaging bag, as shown and described.

DESCRIPTION

FIG. 1 is a front elevational view of the packaging bag;
FIG. 2 is a right side elevational view thereof (the left side elevational view is identical);
FIG. 3 is a top plan view thereof;
FIG. 4 is a bottom plan view thereof;
FIG. 5 is a rear elevational view thereof;
FIG. 6 is a front perspective view thereof;
FIG. 7 is a sectional view thereof taken along line 7-7 of FIG. 1; and,
FIG. 8 is a sectional view thereof taken along line 8-8 of FIG. 1.

The broken lines showing of structural feature is indeed for the purpose of illustrating non-claimed subject matter and forms no part of the claimed design.

1 Claim, 5 Drawing Sheets



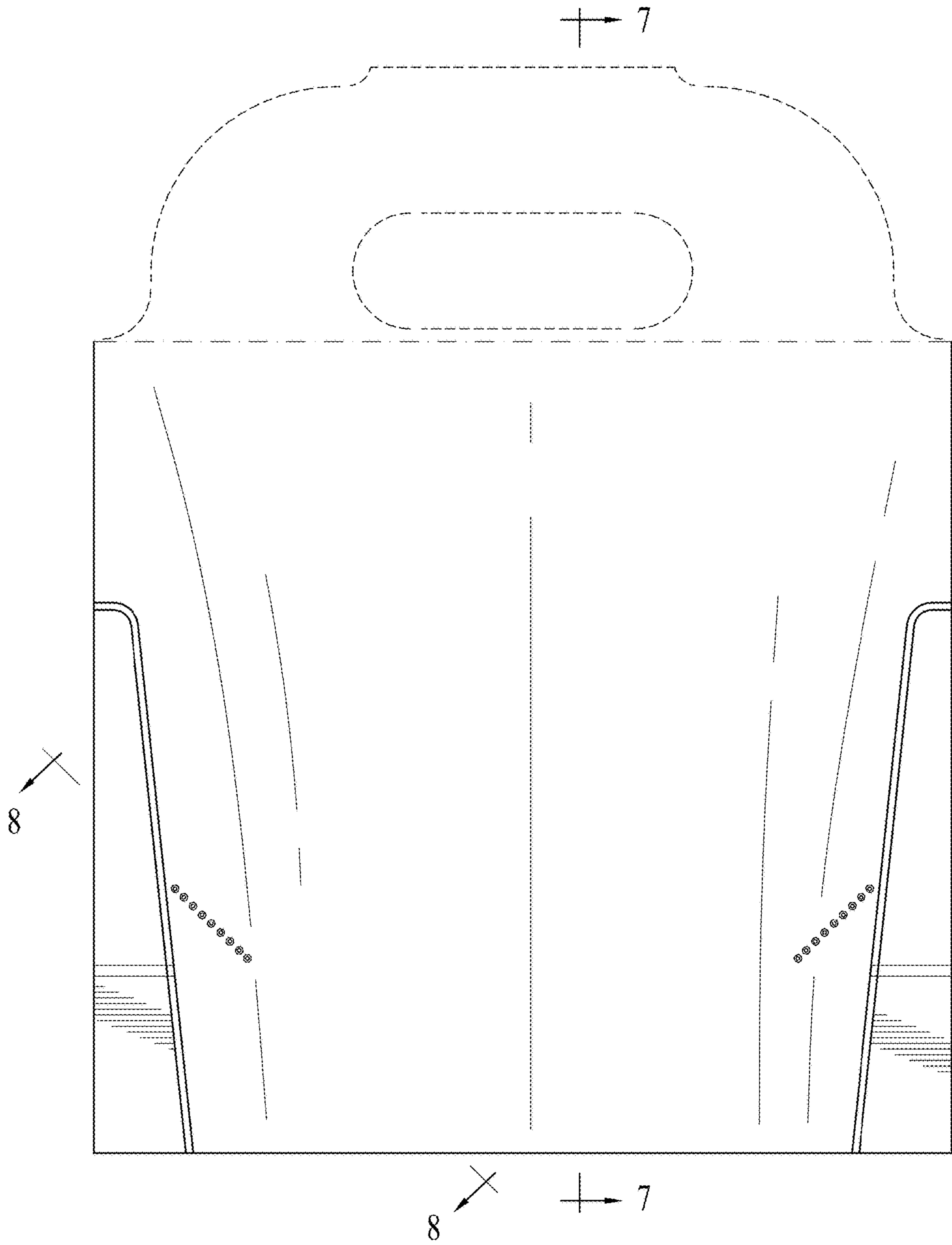


FIG. 1

FIG. 2

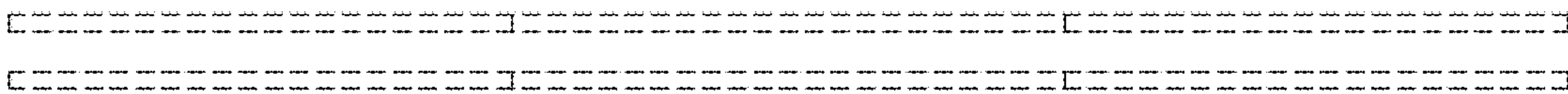


FIG. 3



FIG. 4

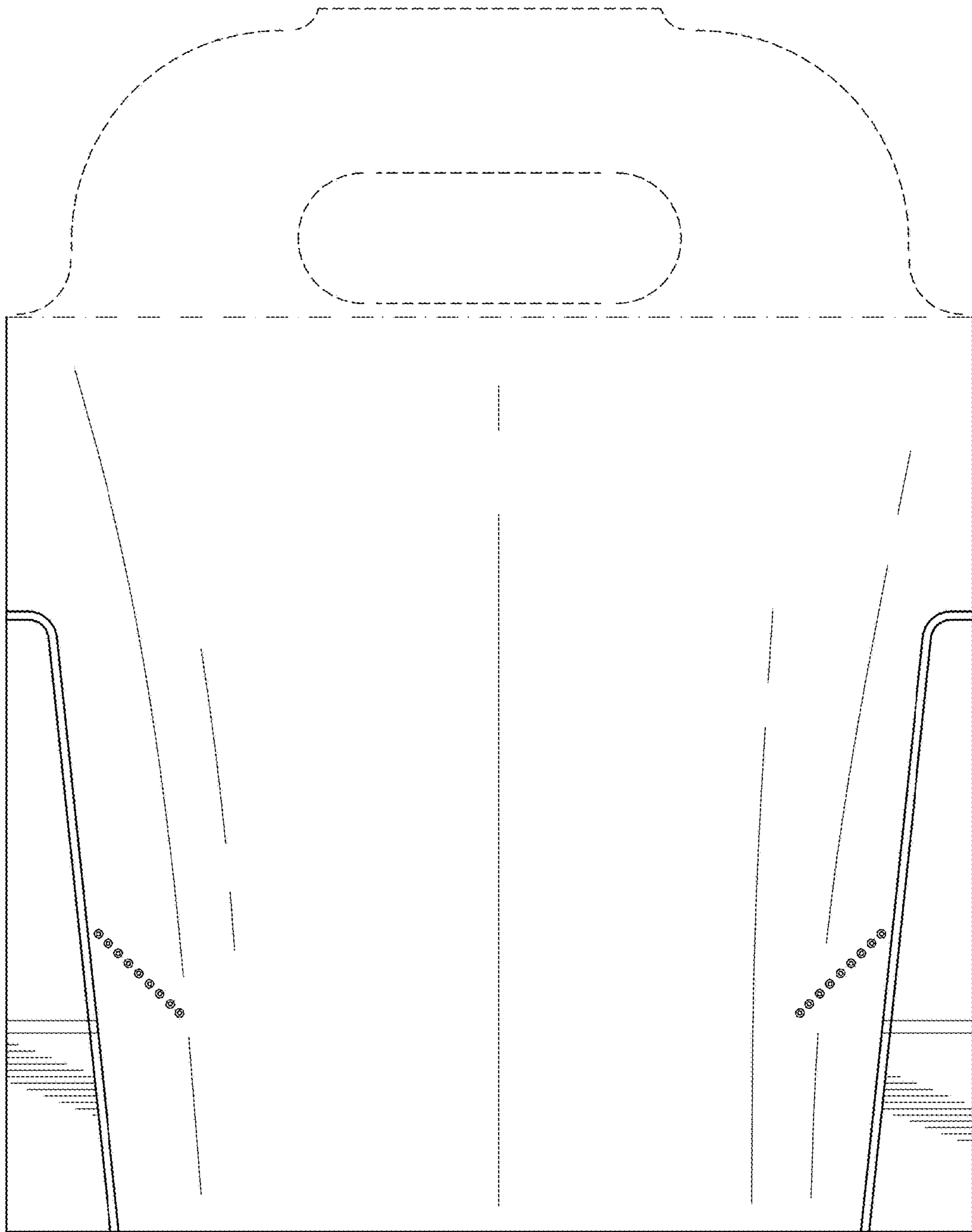


FIG. 5

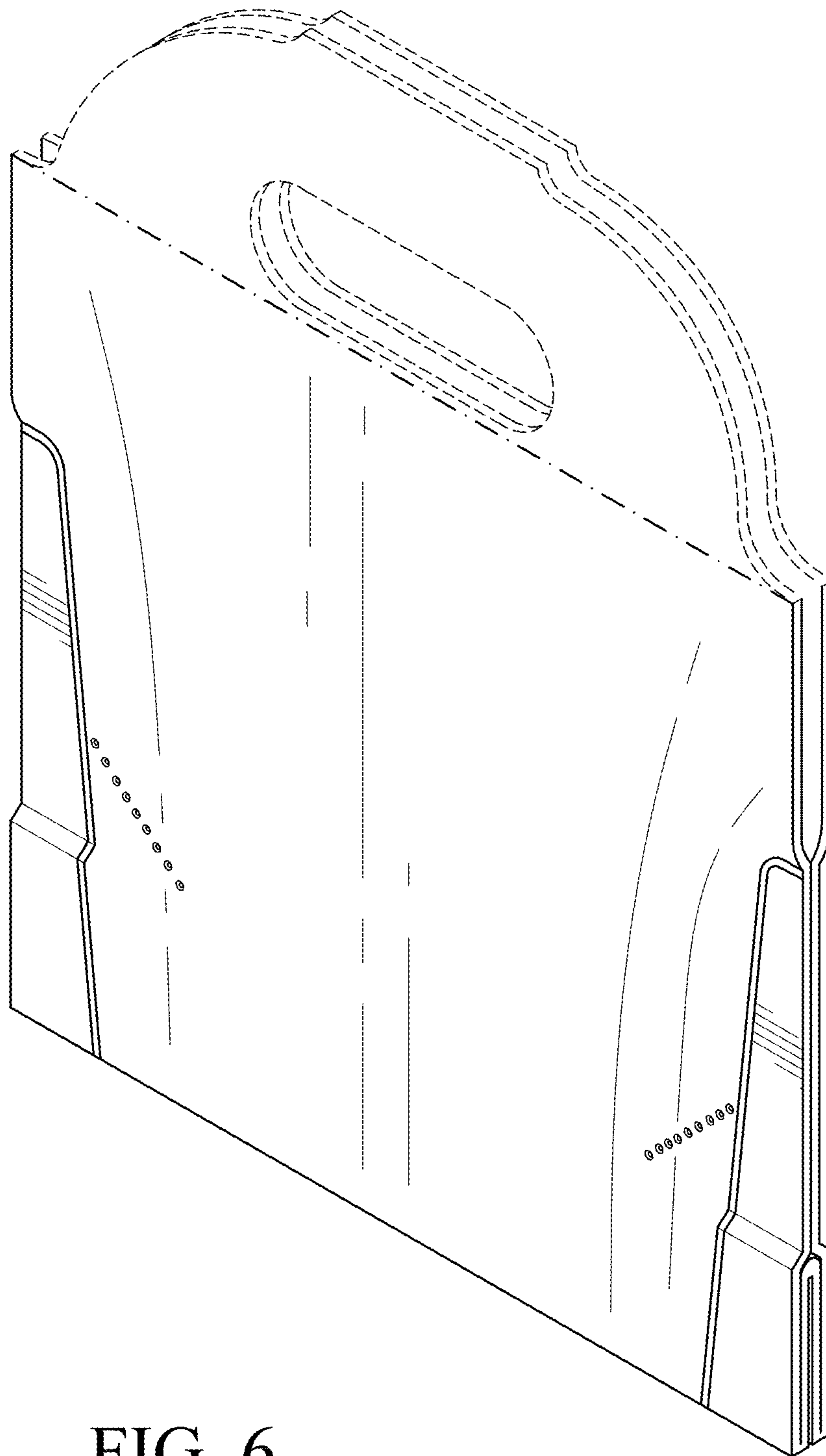


FIG. 6

FIG. 7

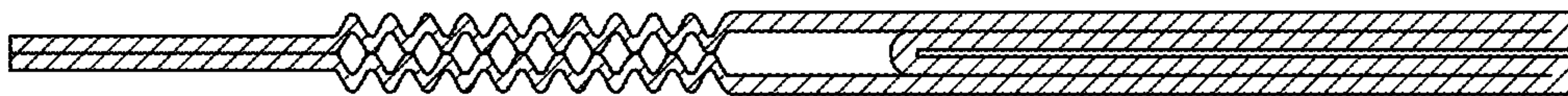


FIG. 8