



US00D799978S

(12) **United States Design Patent** (10) **Patent No.:** **US D799,978 S**
King et al. (45) **Date of Patent:** **** Oct. 17, 2017**

(54) **REFILL BOTTLE AND CAP**

(71) Applicant: **Reckitt Benckiser (Brands) Limited**,
Slough, Berkshire (GB)

(72) Inventors: **Stuart King**, Warwick (GB); **David Sanders**, Warwick (GB)

(73) Assignee: **Reckitt Benckiser (Brands) Limited**,
Slough Berkshire (GB)

(**) Term: **15 Years**

(21) Appl. No.: **29/542,889**

(22) Filed: **Oct. 19, 2015**

(30) **Foreign Application Priority Data**

Apr. 27, 2015 (EP) 002690198-0002

(51) **LOC (10) Cl.** **09-01**

(52) **U.S. Cl.**
USPC **D9/571; D9/522; D9/572**

(58) **Field of Classification Search**
USPC D9/503-505, 516, 519, 521, 522, 529,
D9/530, 535, 537-539, 541-545,
D9/550-554, 558-559, 563, 565-567,
D9/571-575; D24/108, 127, 207
CPC B05B 11/0078; B65D 47/06
See application file for complete search history.

(56) **References Cited**

U.S. PATENT DOCUMENTS

D479,804 S *	9/2003	Wolpert	D9/516
D532,305 S *	11/2006	Fellows	D9/503
D536,980 S *	2/2007	Smith	D9/520
D537,351 S *	2/2007	Caserta	D9/522
D542,662 S *	5/2007	Caserta	D9/453
D564,884 S *	3/2008	Rittman	D9/452
D566,565 S *	4/2008	Rittman	D9/452

OTHER PUBLICATIONS

Air Wick Lfe Scents, Scented Oil Plug in Air Freshener Refills, posted on walmart.com, earliest review date Dec. 20, 2015, no production date given, [online], [site visited Jan. 31, 2017], Available from Internet, <URL: https://www.walmart.com/ip/Air-Wick-Life-Scents-Sweet-Lavender-Days-Scented-Oil-Plug-in-Refills-0.67-fl-oz-3-count/43256023#about.*

6 Glade Plugins Scented Oil Refills, posted on ebay.com, last updated Jan. 23, 2017, no production date given, [online], [site visited Jan. 31, 2017], Available from Internet, <URL: http://www.ebay.com/itm/6-GLADE-PLUGINS-SCENTED-OIL-REFILLS-SHIMMERING-SPARKLING-SPRUCE-HOLIDAY-FIR-NEW-/151436652195>.*

(Continued)

Primary Examiner — Melanie H Tung

Assistant Examiner — Fritzgerald Butac

(74) *Attorney, Agent, or Firm* — Norris McLaughlin & Marcus PA

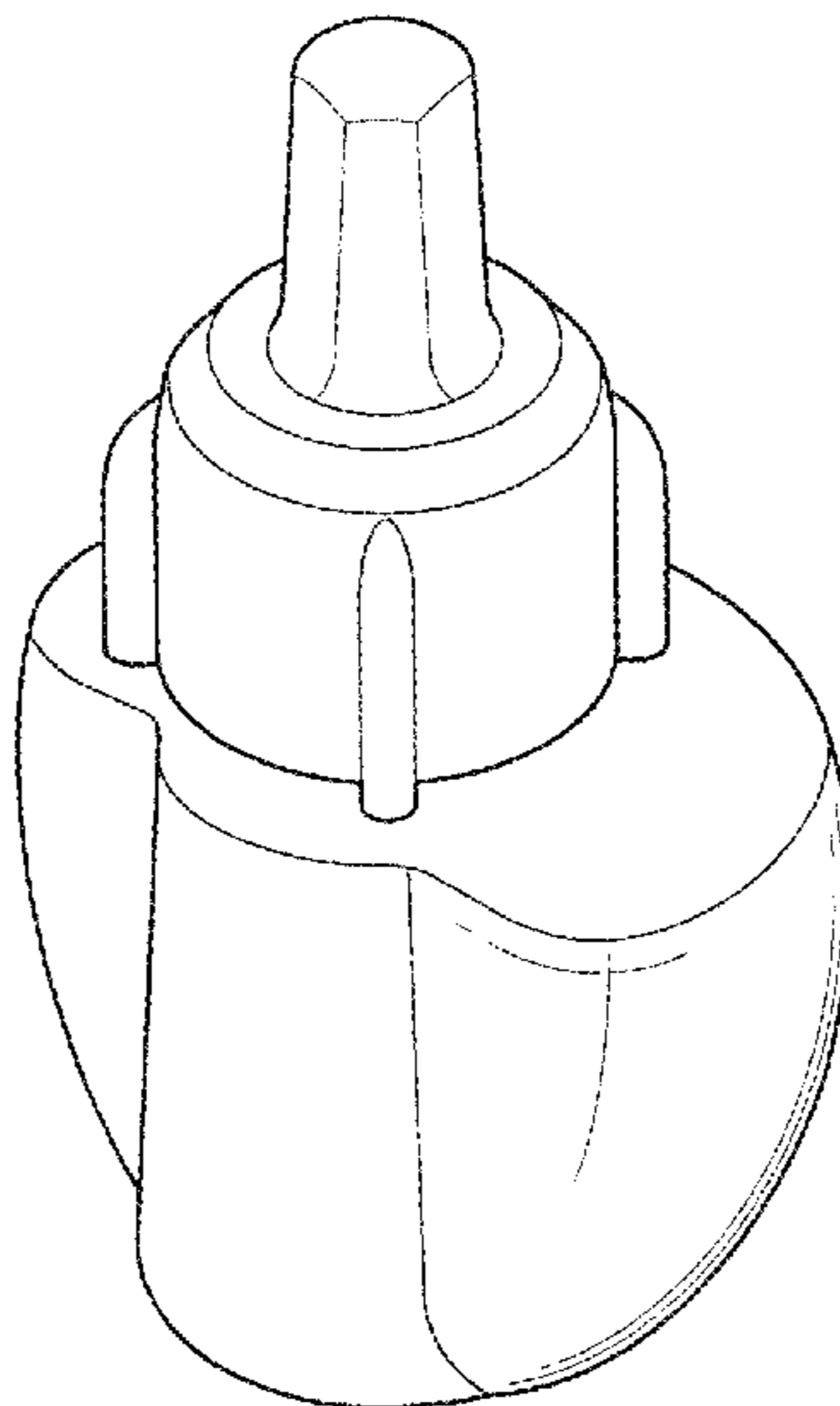
(57) **CLAIM**

The ornamental design for a refill bottle and cap, as shown and described.

DESCRIPTION

FIG. 1 is a perspective view of front the refill bottle and cap; FIG. 2 is a plan view of the front of the refill bottle and cap; FIG. 3 is plan view of the back of the refill bottle and cap; FIG. 4 is a plan view of a side of the refill bottle and cap; FIG. 5 is a plan view of a further side of the refill bottle and cap; FIG. 6 is a plan view of the top of the refill bottle and cap; and, FIG. 7 is a plan view of the bottom of the refill bottle and cap. The broken line in FIG. 7 shows a part of the refill bottle that forms no part of the claimed design.

1 Claim, 7 Drawing Sheets



(56)

References Cited

OTHER PUBLICATIONS

Scent Fill FAQ, posted on scentfill.com, no posted date given, no production date given, [online], [site visited Jan. 31, 2017], Available from Internet, <URL: <https://scentfill.com/pages/faq>>.*

* cited by examiner

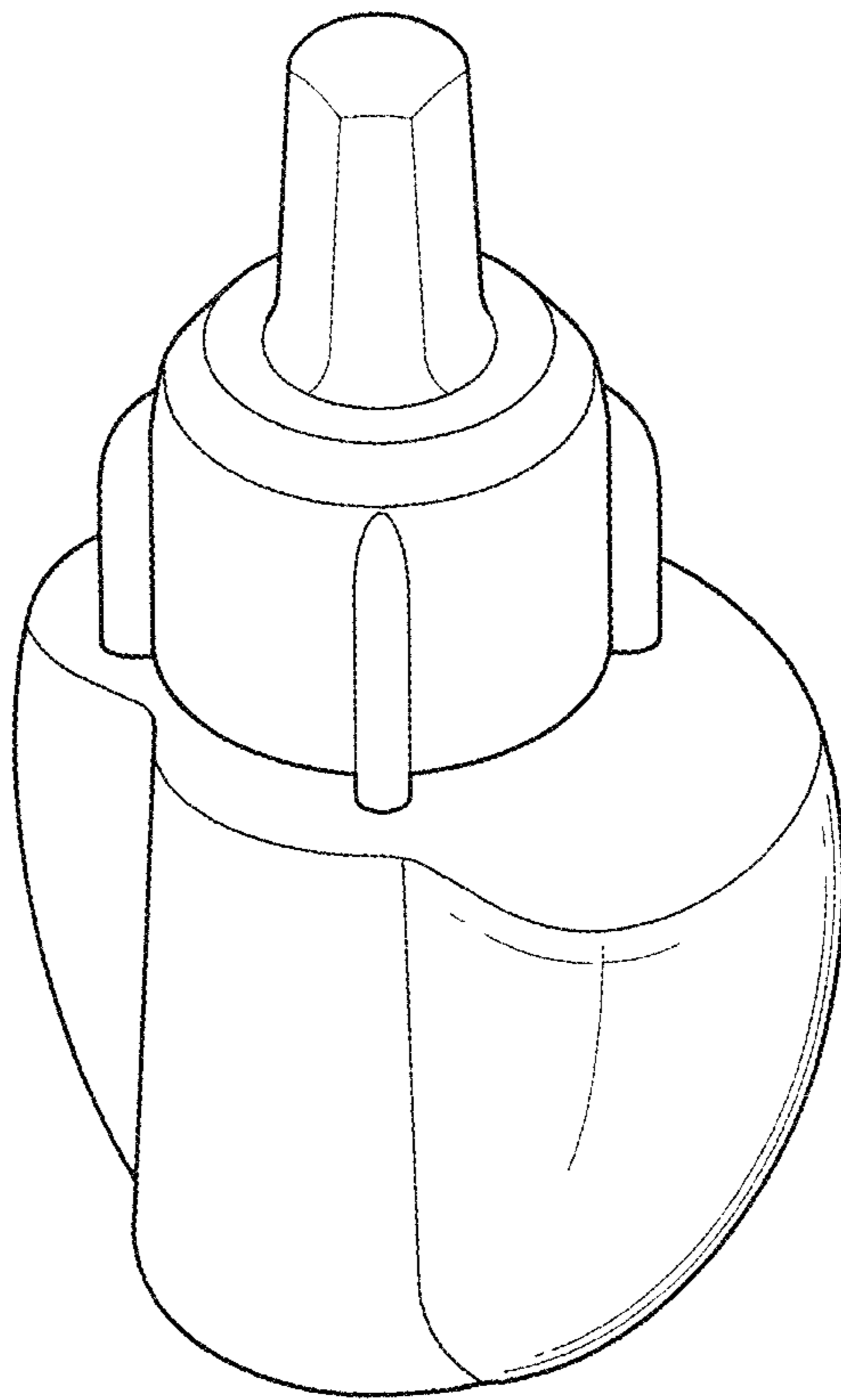


Fig. 1

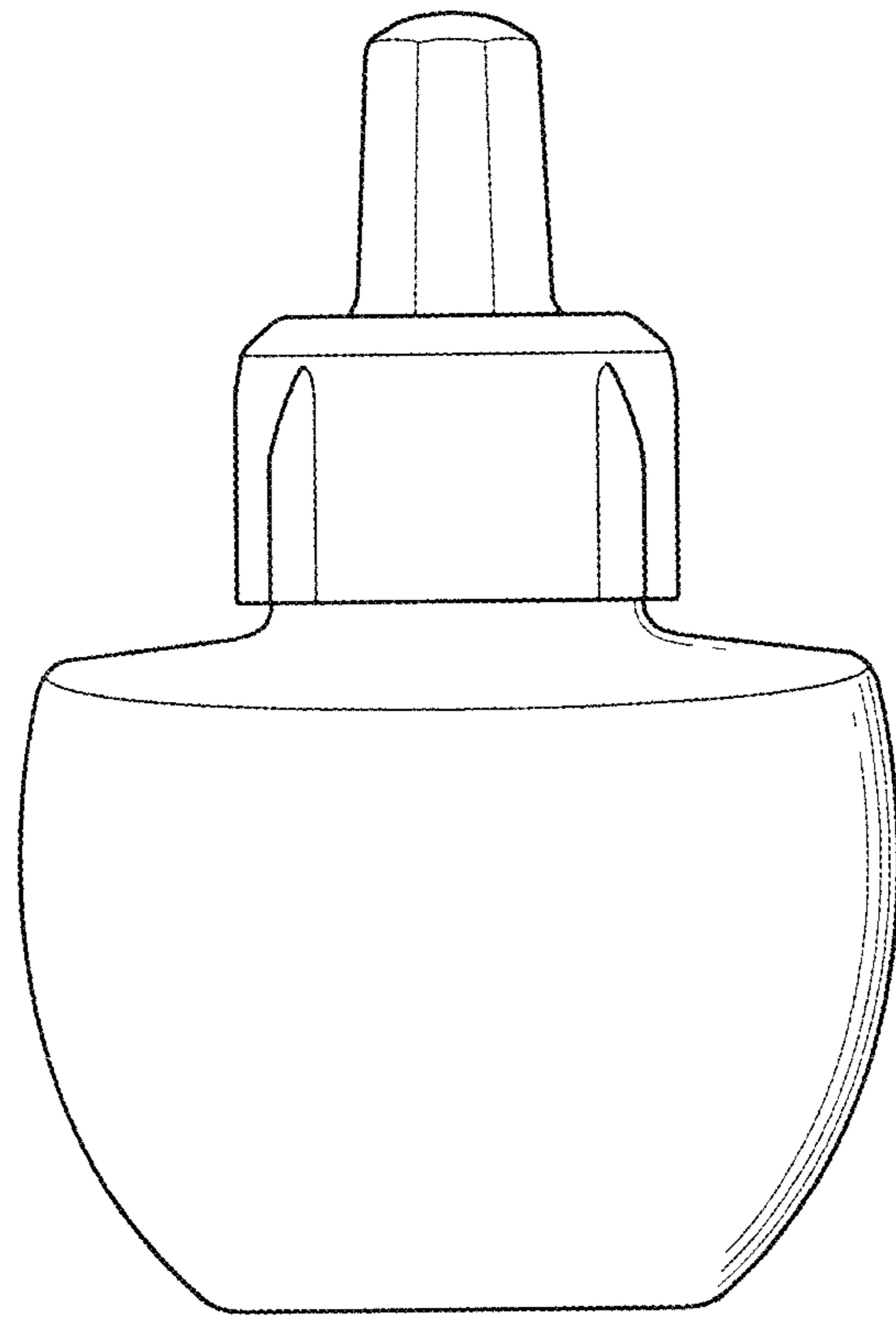


Fig. 2

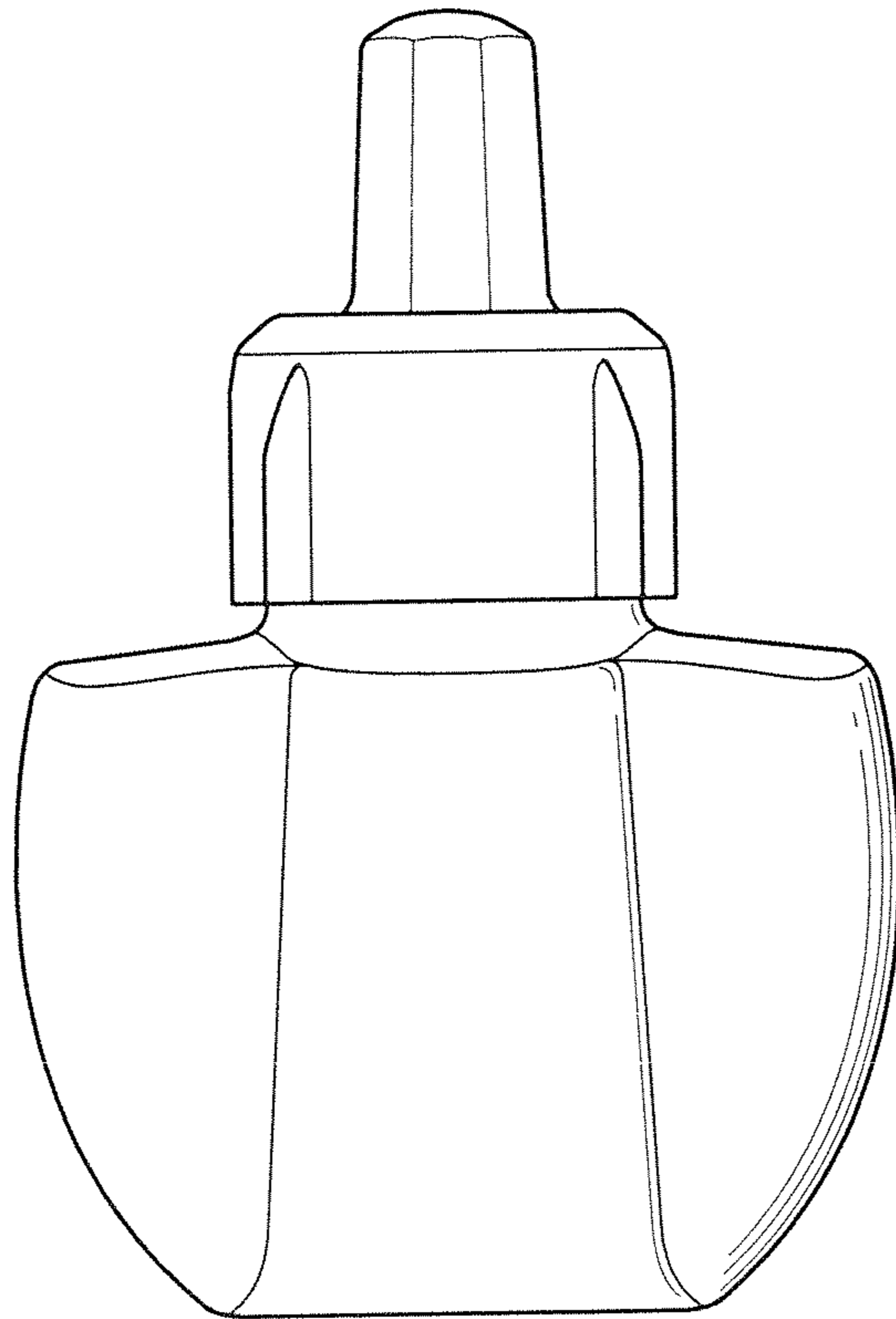


Fig. 3

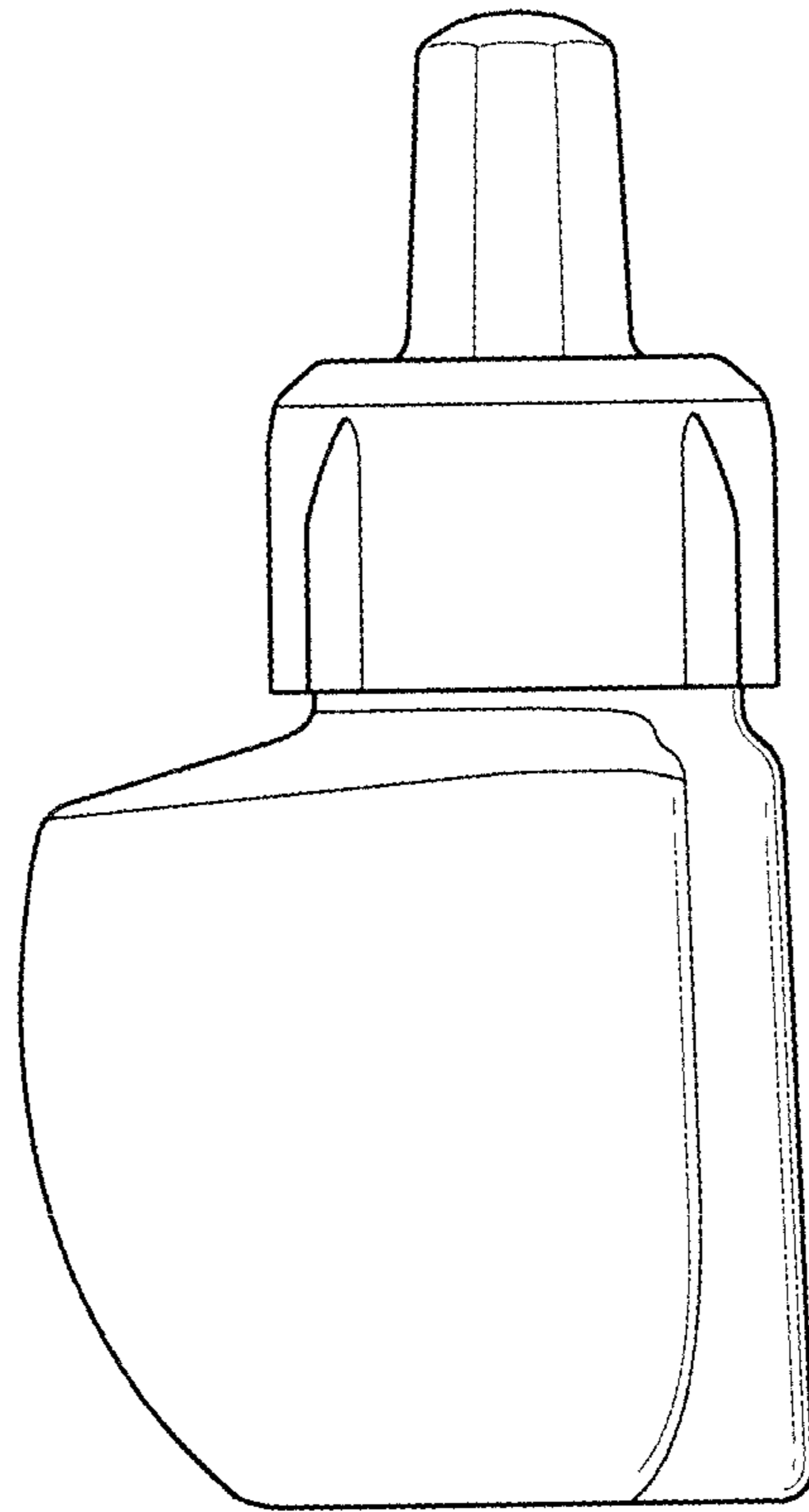


Fig. 4

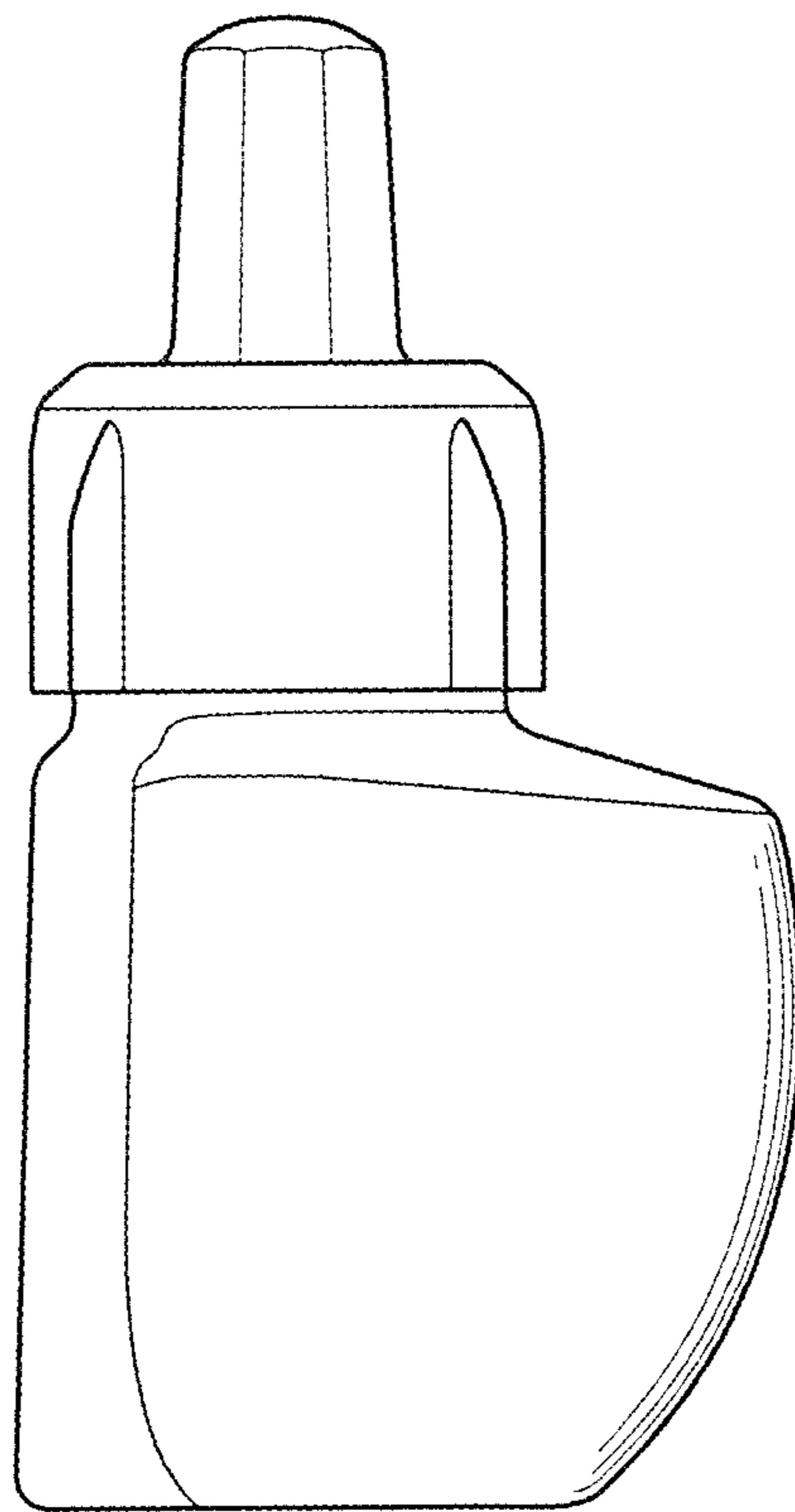


Fig. 5

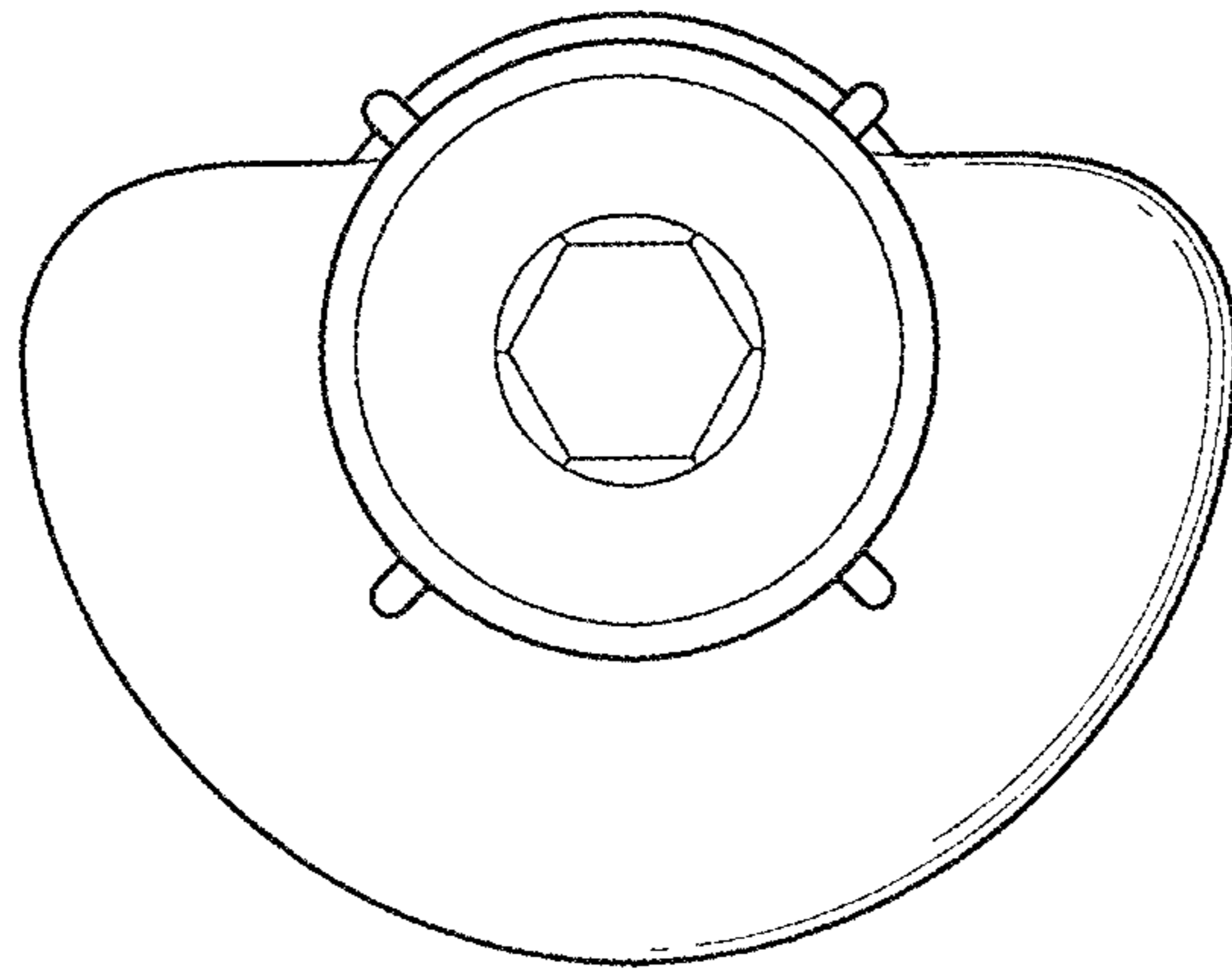


Fig. 6

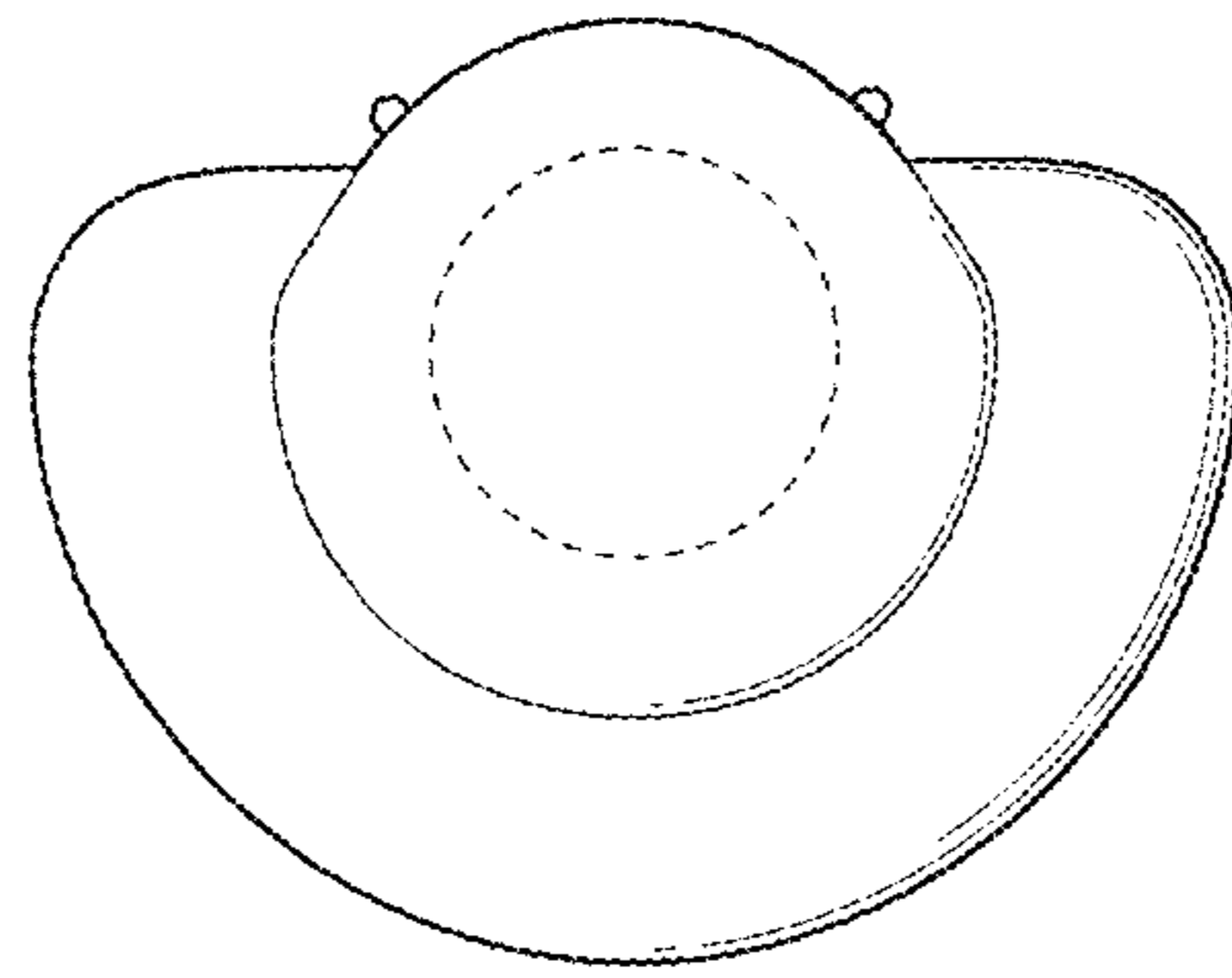


Fig. 7