



US00D799966S

(12) **United States Design Patent** (10) **Patent No.:** **US D799,966 S**
Kang (45) **Date of Patent:** **** Oct. 17, 2017**

(54) **BOTTLE**
(71) Applicant: **Shou-Yuan Kang**, Tainan (TW)
(72) Inventor: **Shou-Yuan Kang**, Tainan (TW)
(**) Term: **14 Years**
(21) Appl. No.: **29/509,983**
(22) Filed: **Nov. 24, 2014**
(51) **LOC (10) Cl.** **09-01**
(52) **U.S. Cl.**
USPC **D9/500; D9/550; D9/554**
(58) **Field of Classification Search**
USPC D9/500, 502-503, 516, 530, 537-539,
D9/549, 550, 554, 557-558, 715, 719
CPC B65D 1/00; B65D 1/02; B65D 1/0223;
B65D 23/00; B65D 81/00; B65D
2501/00; B65D 2501/0009
See application file for complete search history.

(56) **References Cited**
U.S. PATENT DOCUMENTS
D191,599 S * 10/1961 King D9/502
D248,835 S * 8/1978 Korsmeyer D9/500
D258,197 S * 2/1981 Beeman D9/500
D268,395 S * 3/1983 Humphries D9/443
D272,601 S * 2/1984 Baumer, Jr. D9/502

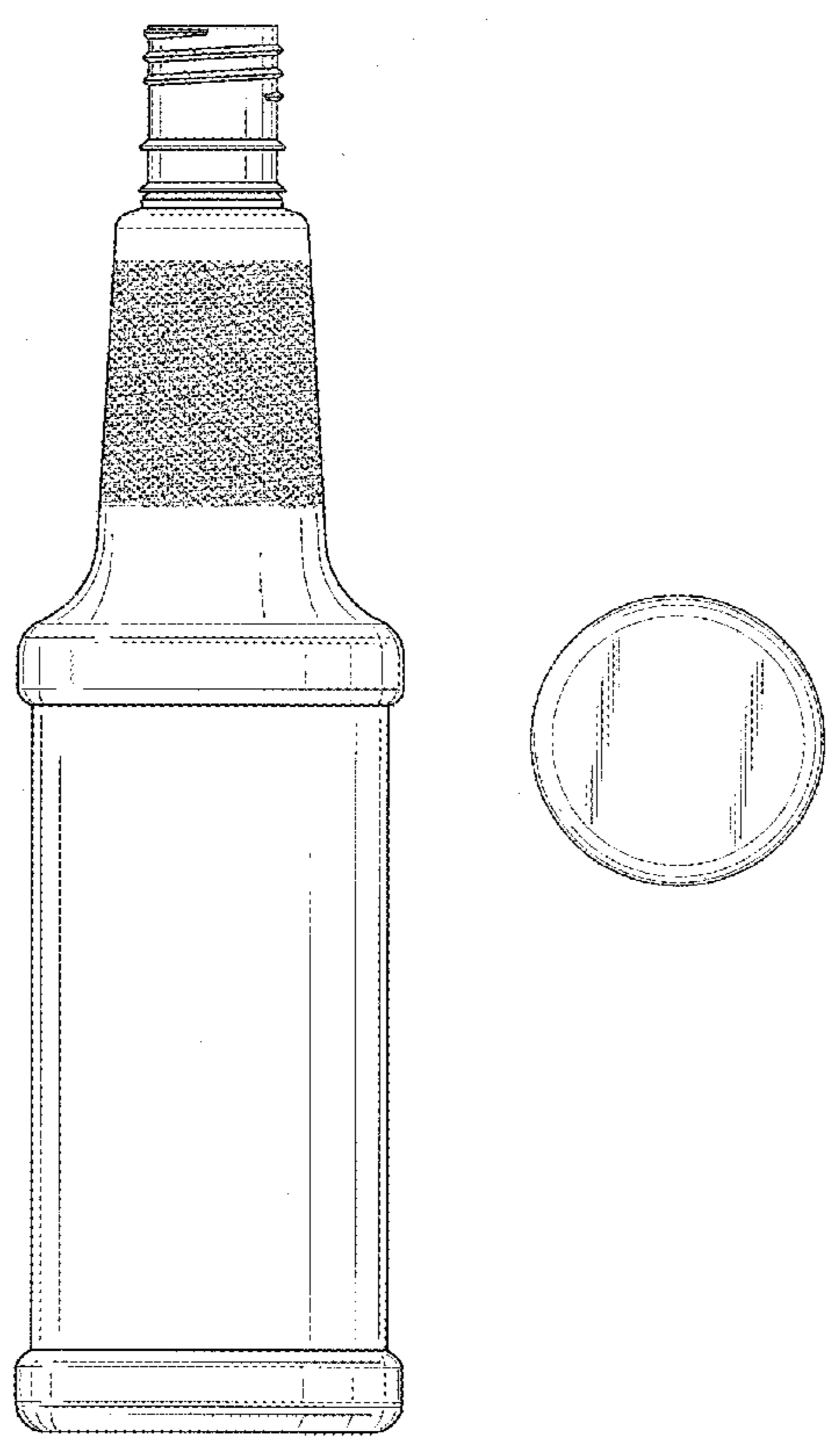
D272,721 S * 2/1984 Grey D9/500
D376,106 S * 12/1996 Heckler D9/538
D401,856 S * 12/1998 Daniels D9/502
D414,417 S * 9/1999 Alt D9/502
D414,699 S * 10/1999 Alt D9/502
D428,576 S * 7/2000 Walker D9/503
D477,537 S * 7/2003 Kornick D9/500
D486,391 S * 2/2004 Lux D9/502
D543,607 S * 5/2007 Meyhoefer D23/225
D611,818 S * 3/2010 Monin D9/516
D694,627 S * 12/2013 Sultan D9/500

* cited by examiner
Primary Examiner — Dana L Meyrow
(74) *Attorney, Agent, or Firm* — Muncy, Geissler, Olds & Lowe, P.C.

(57) **CLAIM**
The ornamental design for bottle, as shown and described.

DESCRIPTION
FIG. 1 is a perspective view of bottle showing my new design;
FIG. 2 is a front elevational view thereof;
FIG. 3 is a rear elevational view thereof;
FIG. 4 is a left side elevational view thereof;
FIG. 5 is a right side elevational view thereof;
FIG. 6 is a top plan view thereof; and,
FIG. 7 is a bottom plan view thereof.

1 Claim, 4 Drawing Sheets



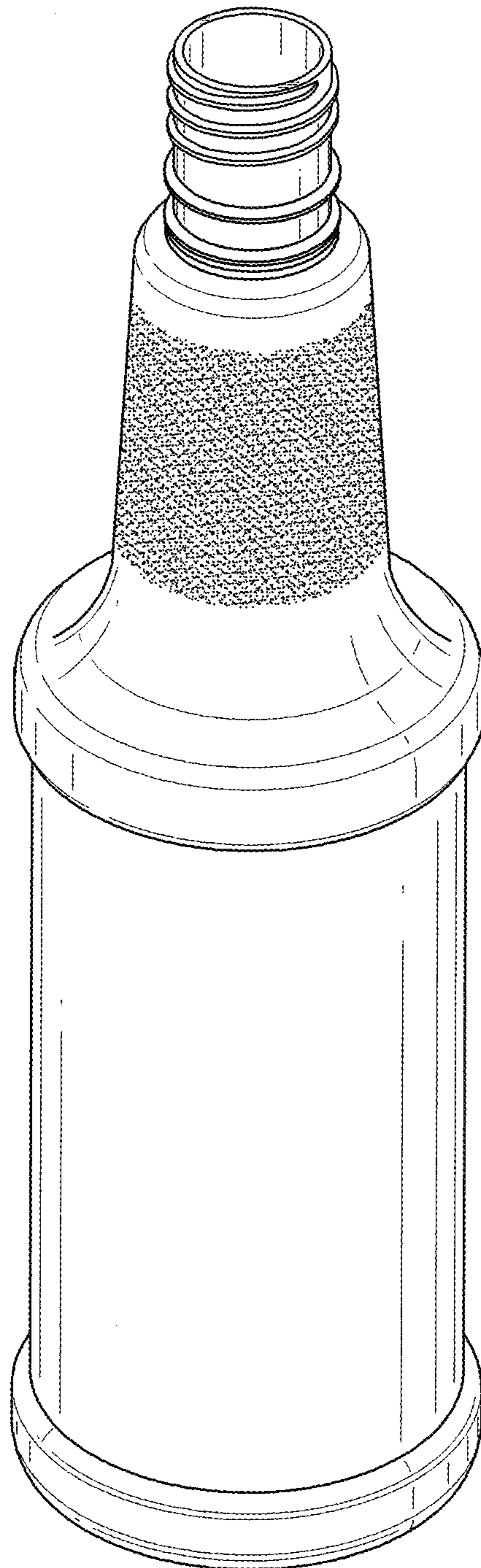


FIG.1

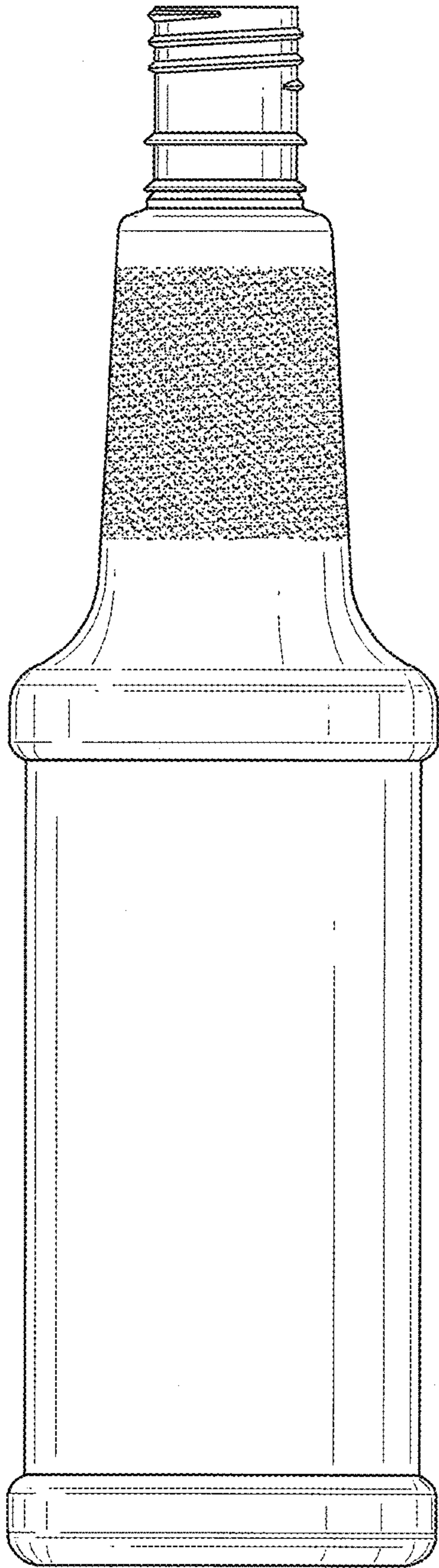


FIG. 2

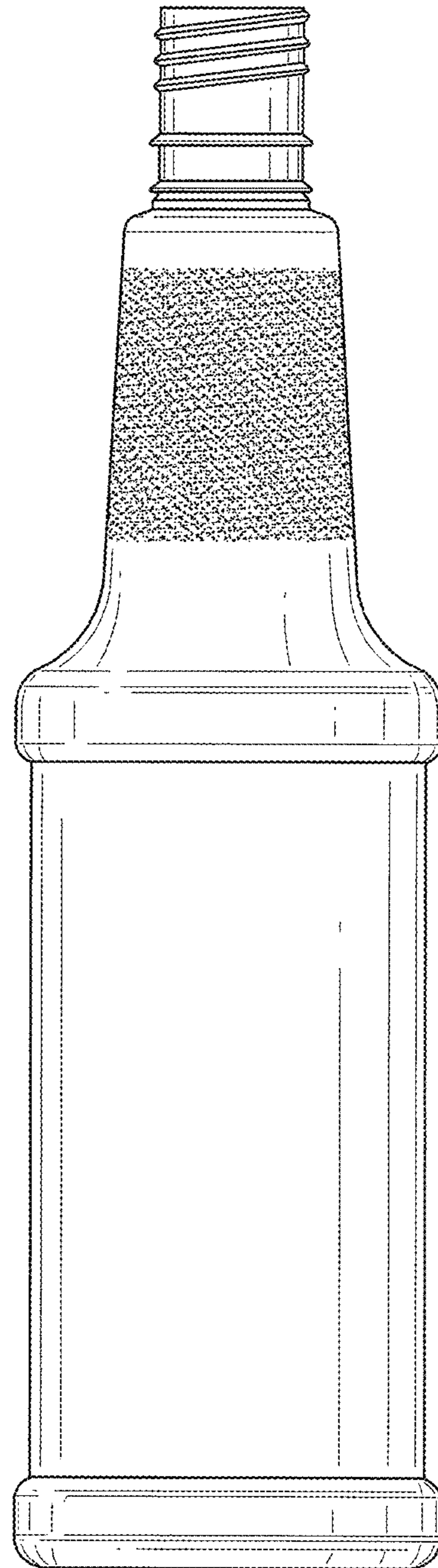


FIG. 3

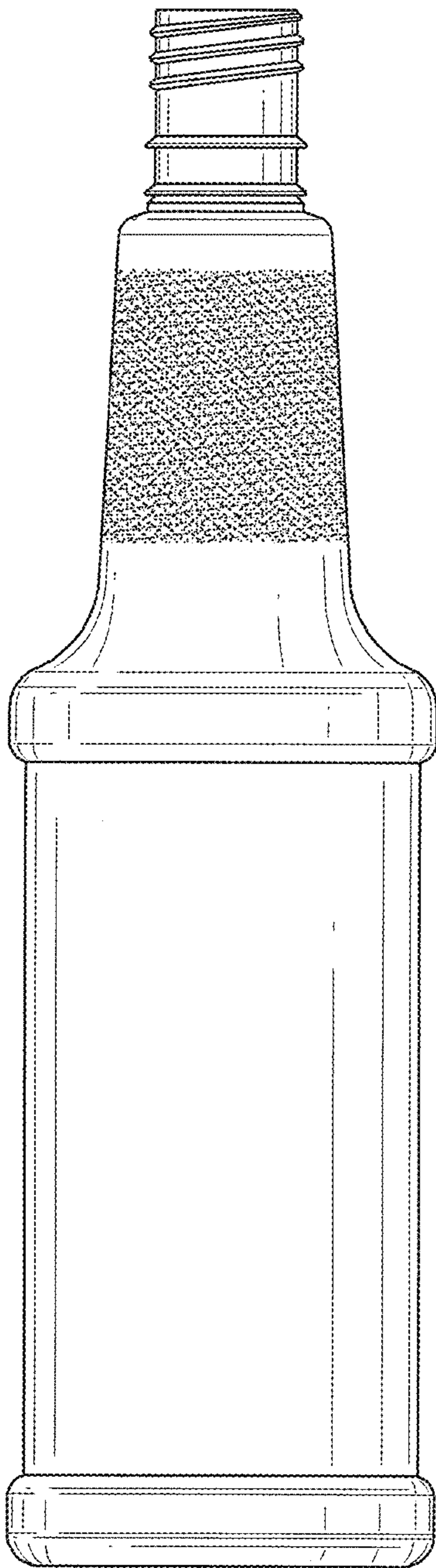


FIG. 4

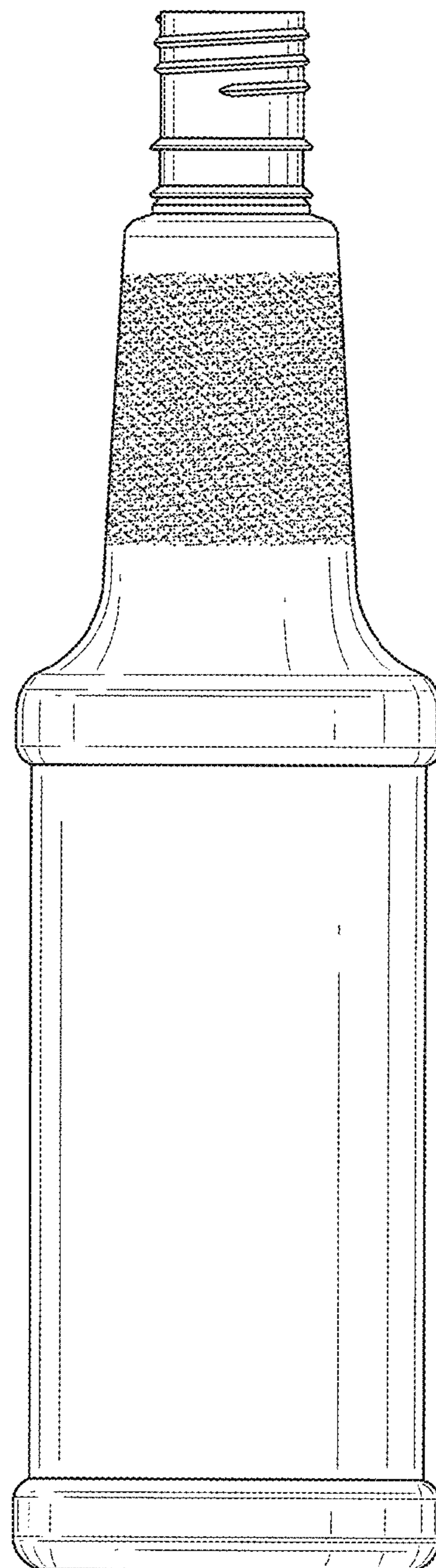


FIG. 5

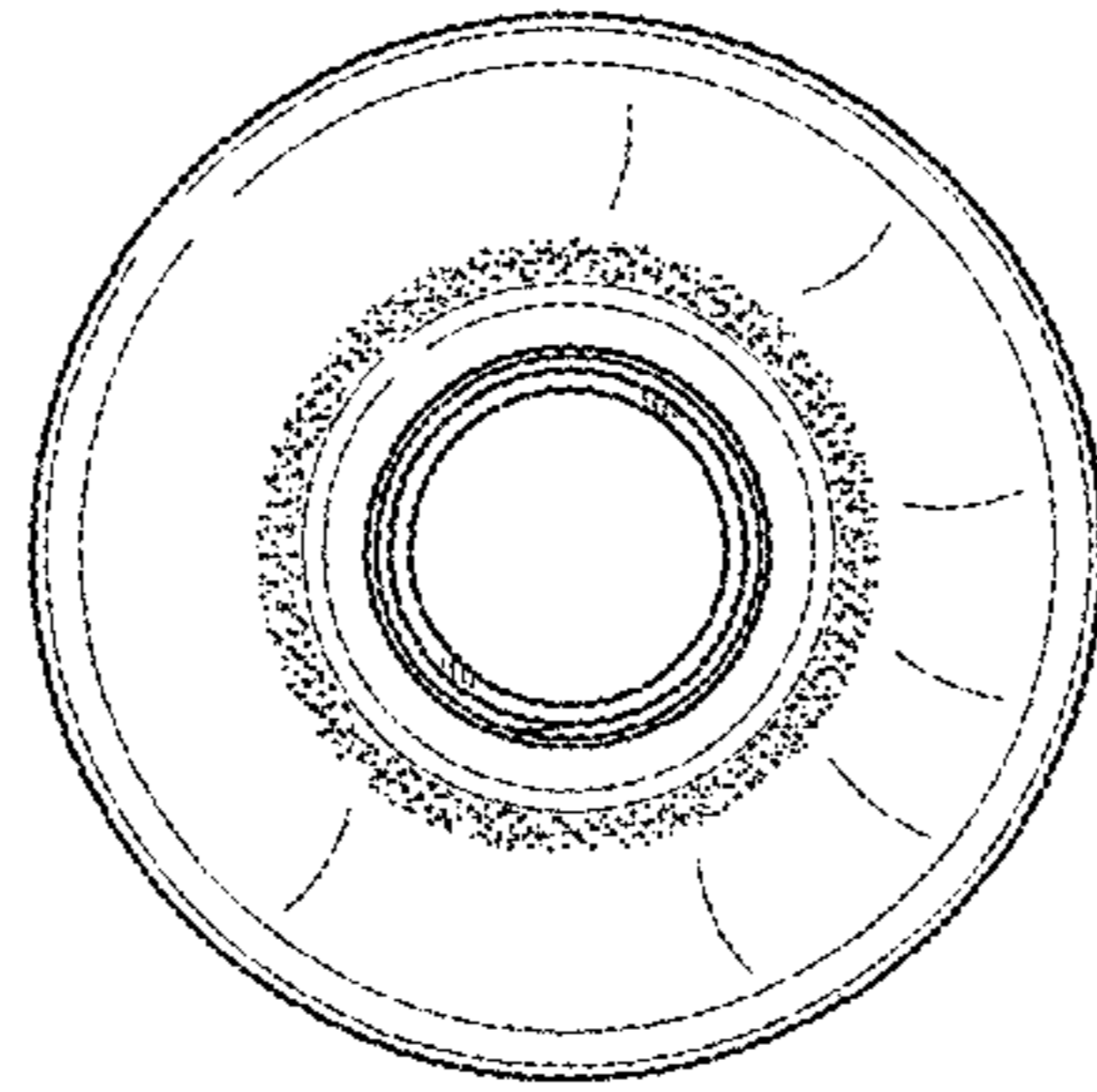


FIG.6

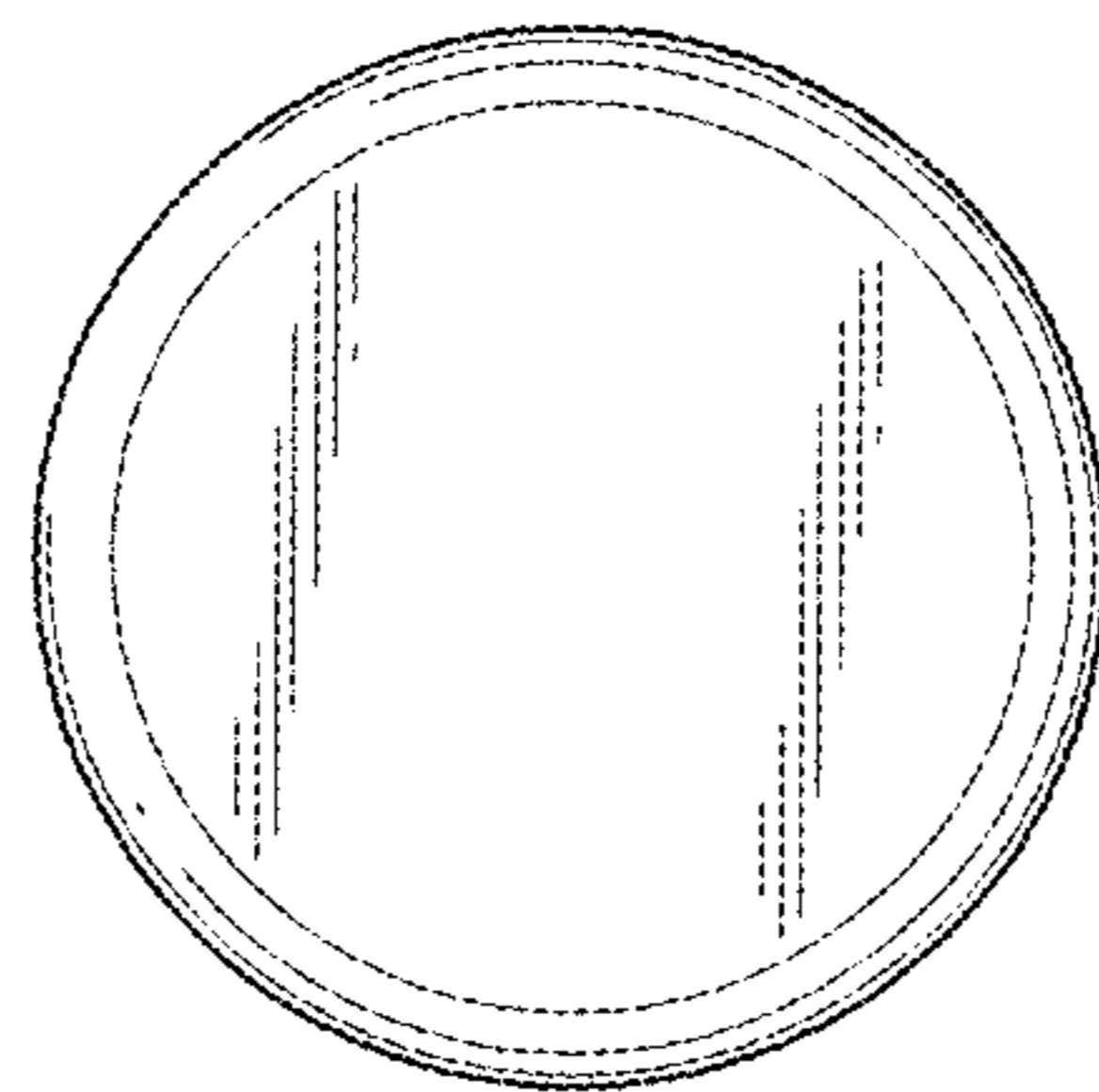


FIG.7