

US00D799958S

(12) **United States Design Patent**
Butruille et al.

(10) **Patent No.:** **US D799,958 S**

(45) **Date of Patent:** **** Oct. 17, 2017**

(54) **VENTING PLUG FOR A CONTAINER**

(71) Applicant: **GREIF INTERNATIONAL HOLDING B.V.**, Vreeland (NL)

(72) Inventors: **Thibaut Butruille**, Le Grand-Quevil (FR); **Pierre Abraham**, Le Grand-Quevil (FR)

(73) Assignee: **GREIF INTERNATIONAL HOLDING BV**, Vreeland (NL)

(**) Term: **15 Years**

(21) Appl. No.: **29/566,745**

(22) Filed: **Jun. 2, 2016**

(30) **Foreign Application Priority Data**

Dec. 2, 2015 (EM) 002886440-0001

(51) **LOC (10) Cl.** **09-07**

(52) **U.S. Cl.**
USPC **D9/440**

(58) **Field of Classification Search**
USPC D7/316, 397, 510; D9/434-436, 438, D9/439, 440, 443, 447, 449, 450, D9/452-454, 499; D23/260, 269, 390
CPC B65D 1/0223; B65D 2215/02; B65D 23/102; B65D 50/043
See application file for complete search history.

(56) **References Cited**

U.S. PATENT DOCUMENTS

D199,155 S * 9/1964 Hannon D9/439
D240,022 S * 5/1976 Laurizio D9/439
D274,701 S * 7/1984 Burrill D9/439
D310,028 S * 8/1990 Brandt D9/434
D349,648 S * 8/1994 Tirrell D9/439
D597,840 S * 8/2009 Biesecker D9/454

D726,286 S * 4/2015 Zeyfang D23/260
D738,210 S * 9/2015 Tanner D9/440
D757,541 S * 5/2016 Wu D9/439
D760,027 S * 6/2016 Meyers D7/510
D760,911 S * 7/2016 Sheikh D24/207
D787,025 S * 5/2017 Taylor D23/260

OTHER PUBLICATIONS

Hey Co. HEYClean™ Liquid Tight Snap-In Vent Plugs—Features. 2017 [earliest online date], [site visited May 19, 2017]. Available from Internet, <URL:https://www.heyco.com/Venting_Pressure_Equalization_Drain_Solutions/product.cfm?product=HEYClean-Snap-In-Vent-Plugs>.*

* cited by examiner

Primary Examiner — Robert M Spear

Assistant Examiner — Darcey E Heflin

(74) *Attorney, Agent, or Firm* — Baker & Hostetler LLP

(57) **CLAIM**

The ornamental design for a venting plug for a container, as shown and described.

DESCRIPTION

FIG. 1 is a bottom perspective view of the venting plug for a container showing the new design; FIG. 2 is a side view thereof; FIG. 3 is a top plan view thereof; FIG. 4 is a top perspective view thereof; FIG. 5 is an exploded view thereof; and, FIG. 6 is an exploded perspective view from below showing the bottom cover separated from the venting plug and flipped over for clarity of disclosure. In the drawings, the broken lines showing portions of a venting plug for a container depict environment and form no part of the claim.

1 Claim, 6 Drawing Sheets

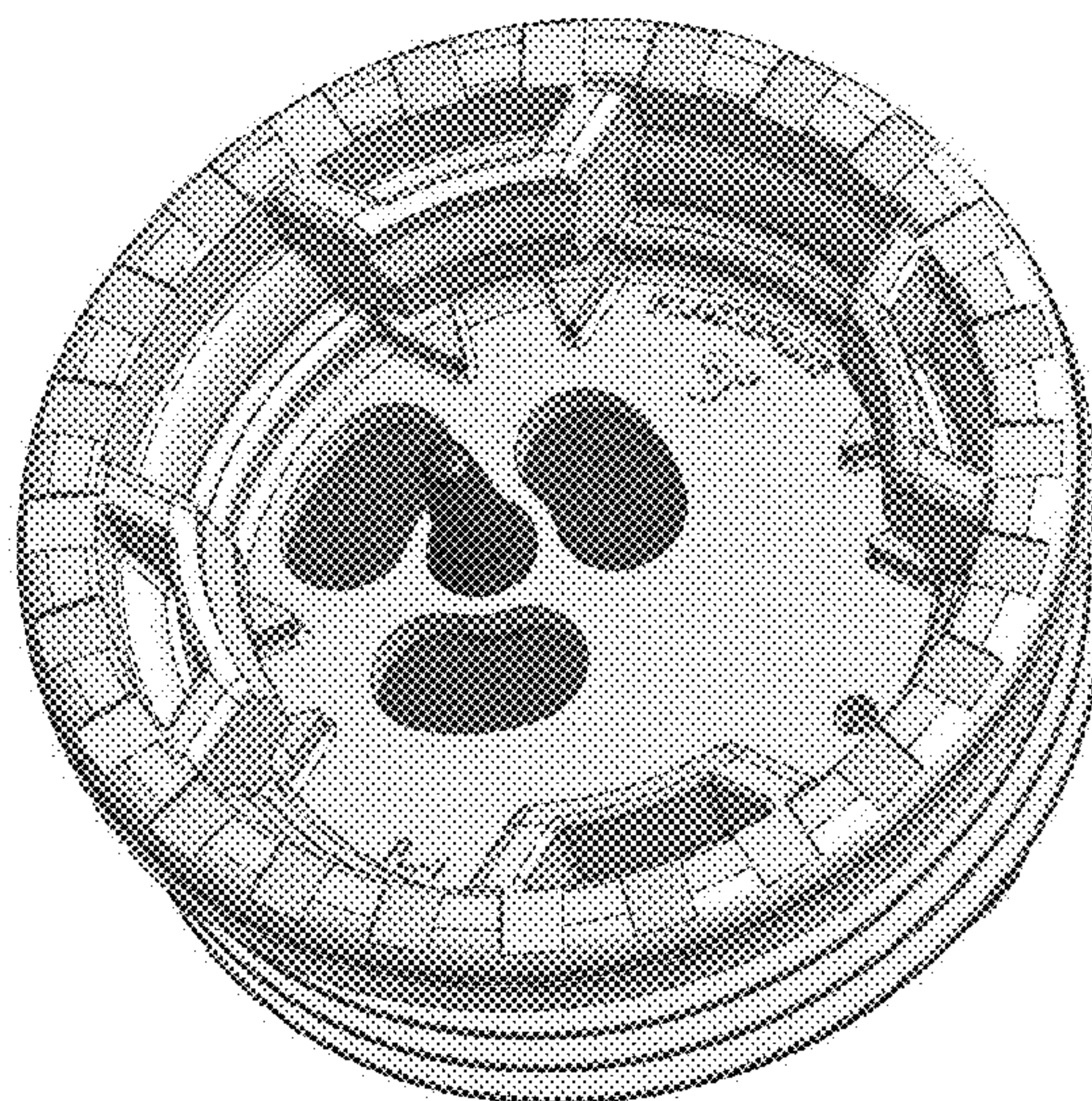
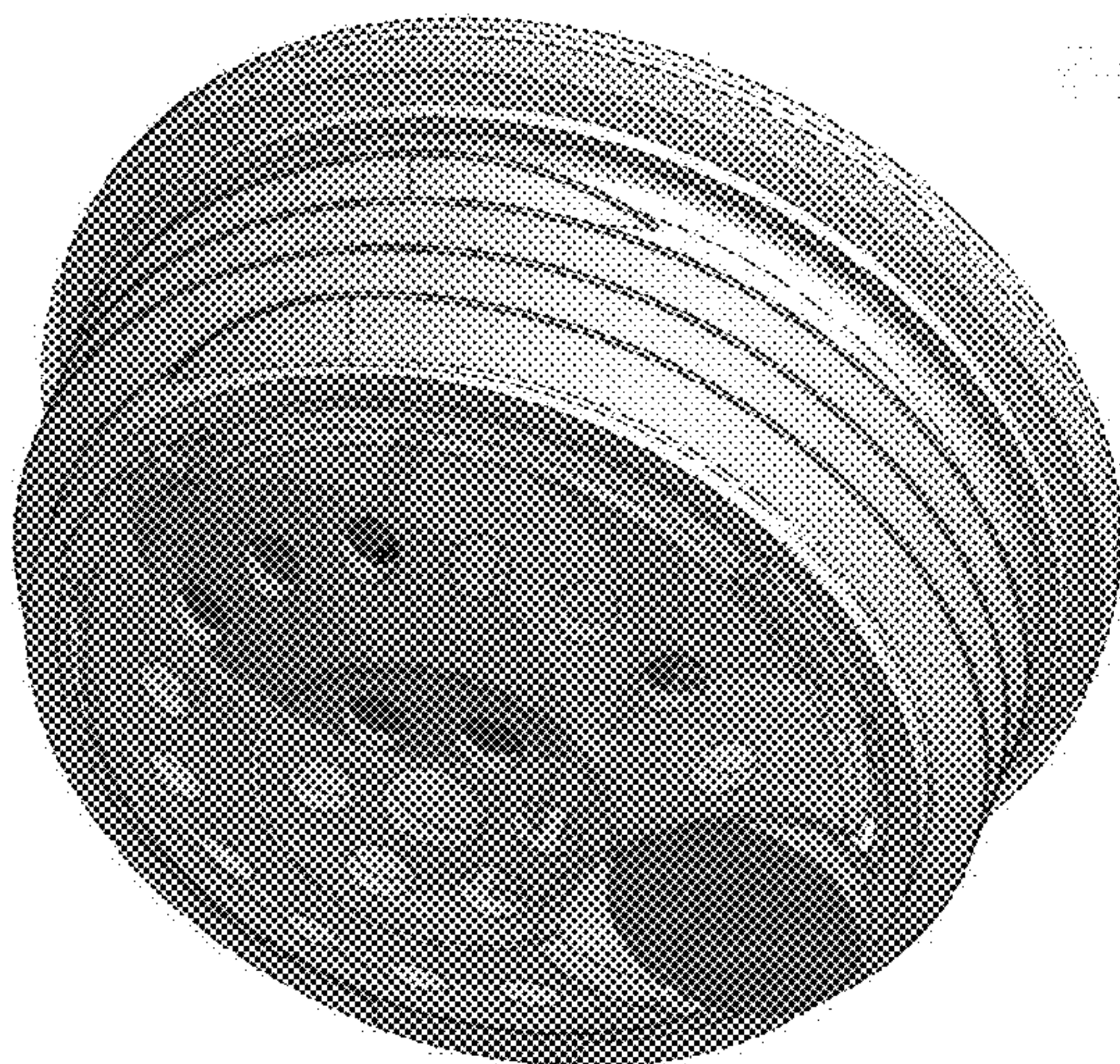




Fig. 1

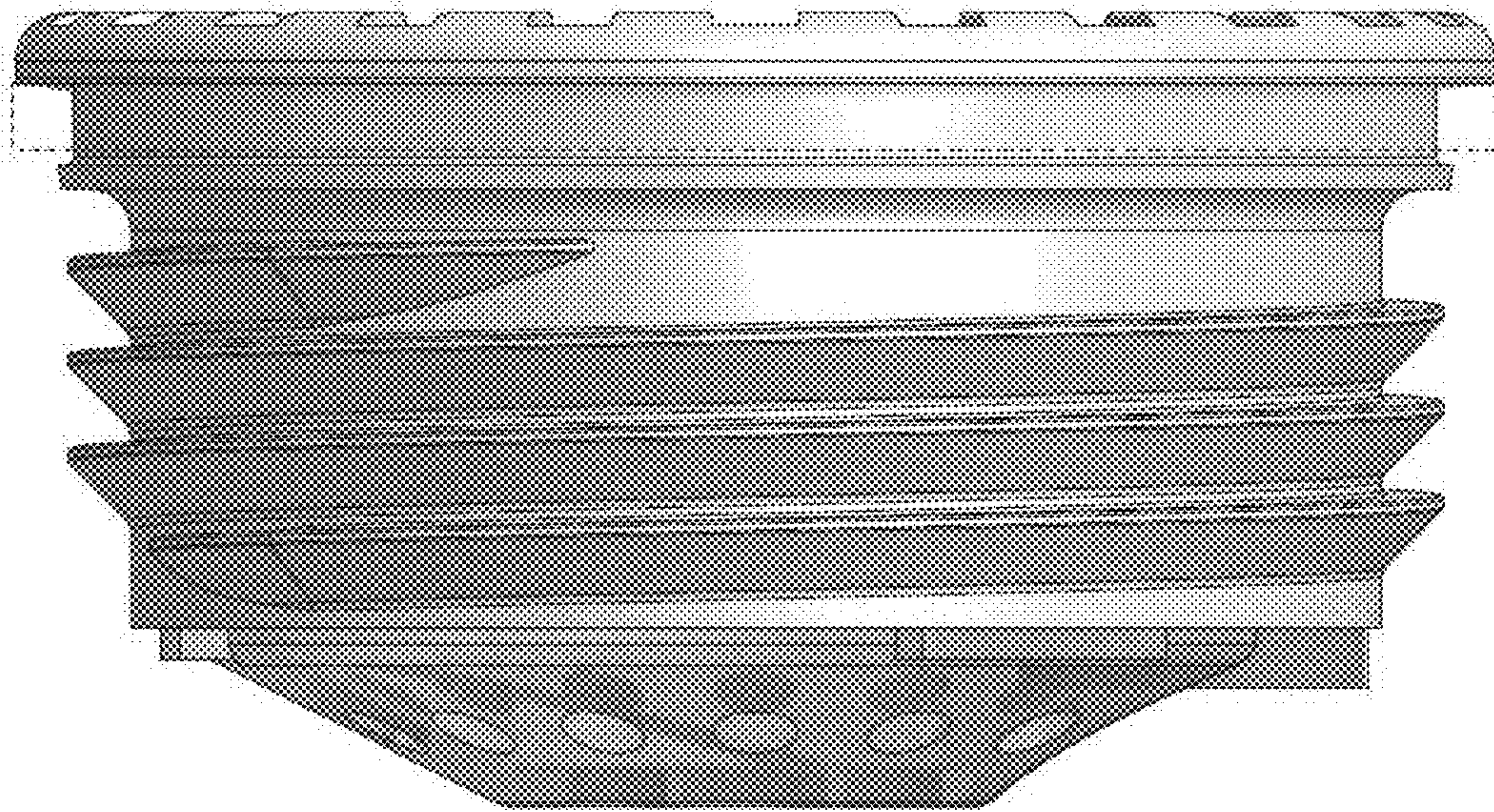


Fig. 2

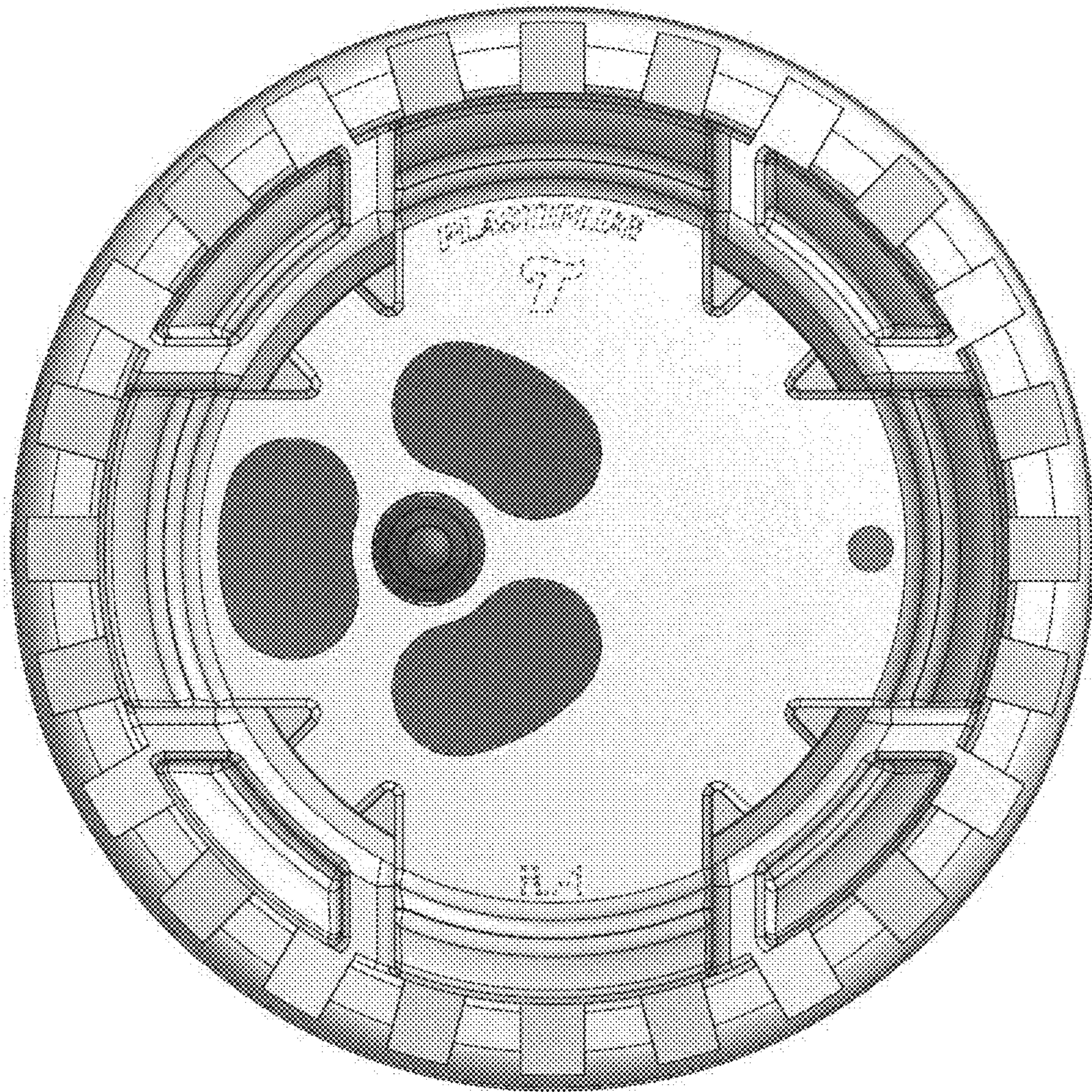


Fig. 3

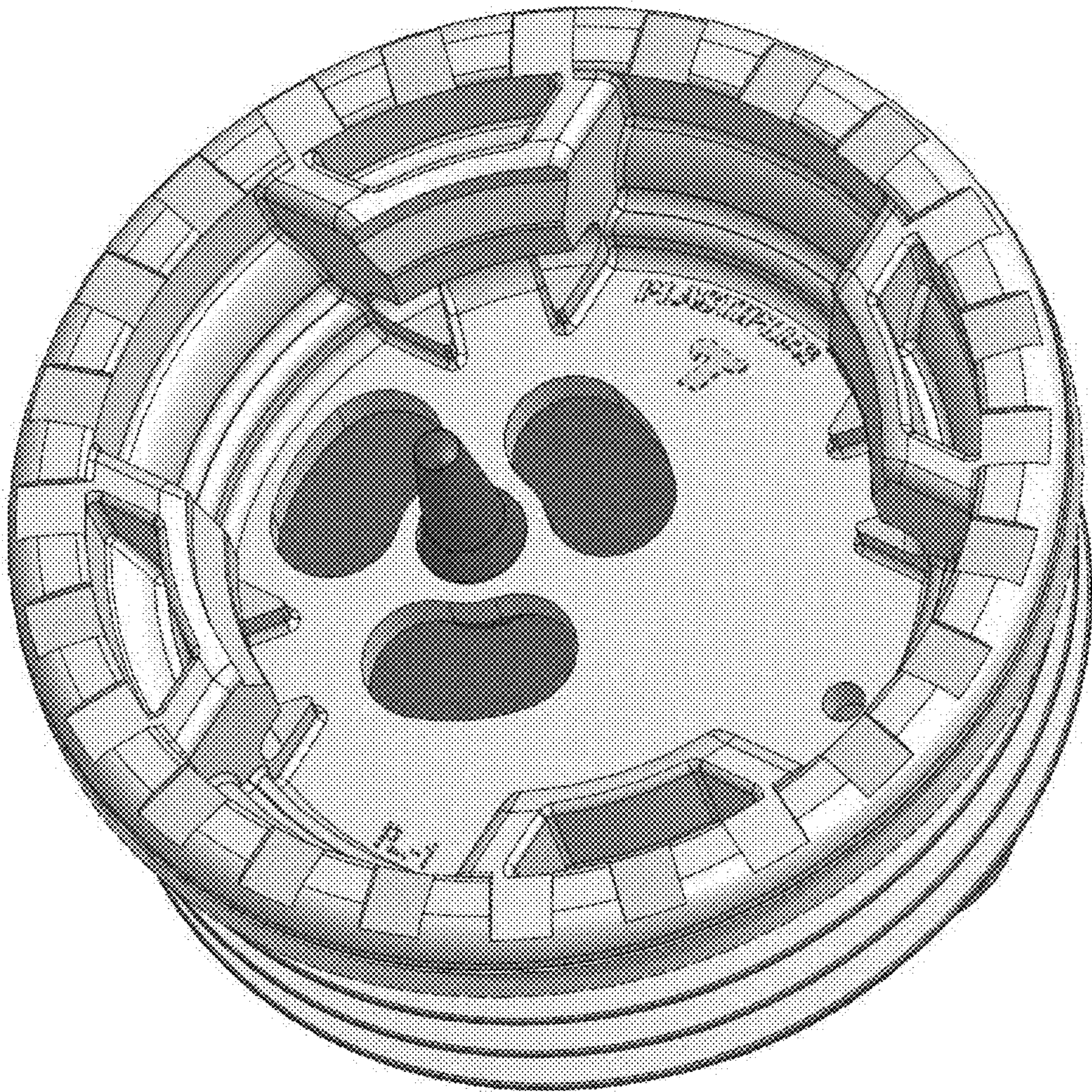


Fig. 4



Fig. 5

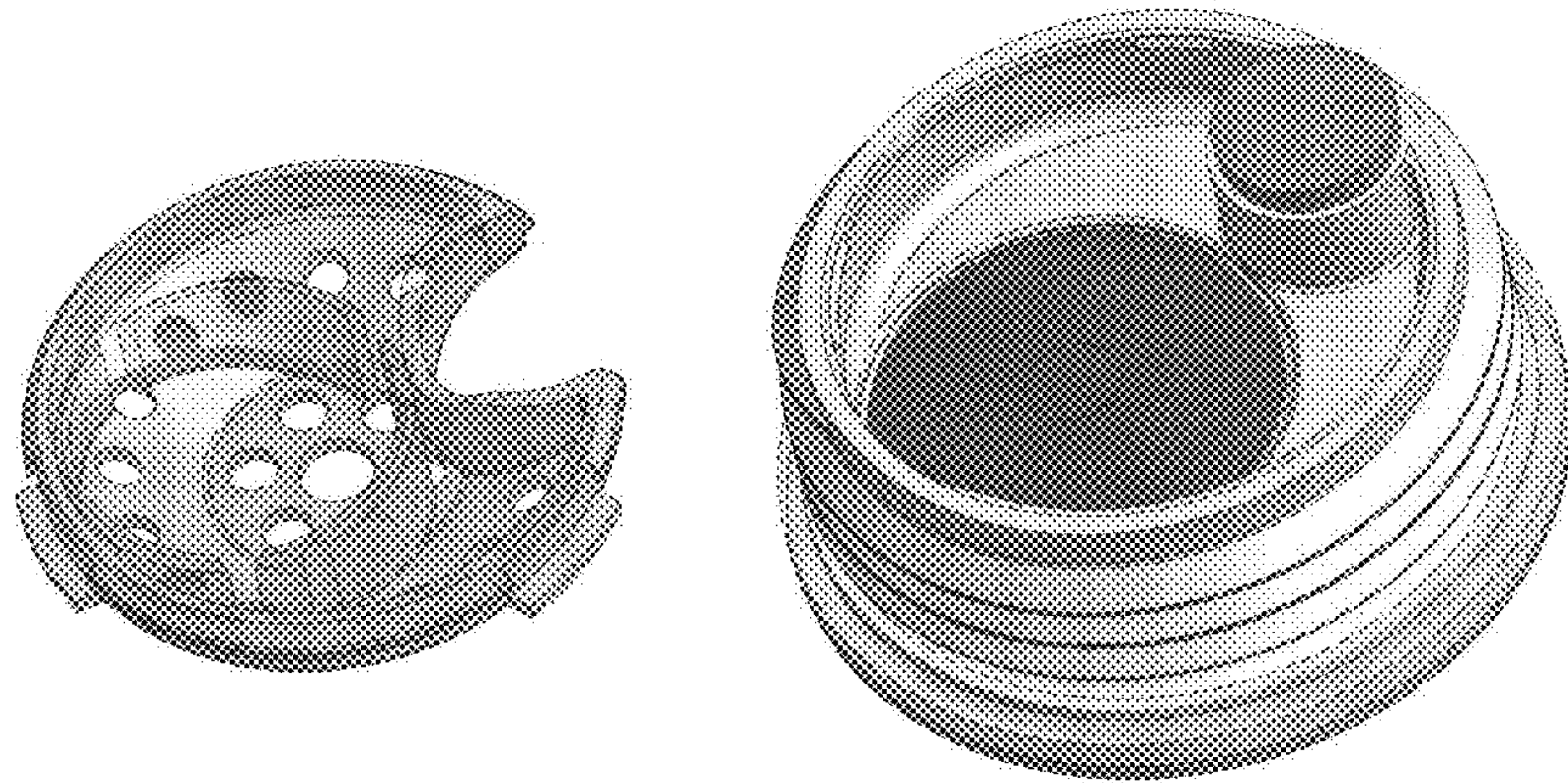


Fig. 6