



US00D799957S

(12) **United States Design Patent**
Onesti et al.

(10) **Patent No.:** **US D799,957 S**

(45) **Date of Patent:** **** Oct. 17, 2017**

(54) **PACKAGING**

D738,202 S * 9/2015 Stone D9/418
D754,486 S * 4/2016 Ott D7/624.2

(71) Applicants: **Mirco Onesti**, Milan (IT); **Alice Tacconi**, Milan (IT)

* cited by examiner

(72) Inventors: **Mirco Onesti**, Milan (IT); **Alice Tacconi**, Milan (IT)

Primary Examiner — Cynthia Underwood

(**) Term: **15 Years**

(74) *Attorney, Agent, or Firm* — Fattibene and Fattibene LLC; Paul A. Fattibene

(21) Appl. No.: **29/544,735**

(22) Filed: **Nov. 5, 2015**

(57) **CLAIM**

(30) **Foreign Application Priority Data**

The ornamental design for packaging, as shown and described.

May 14, 2015 (EM) 002700591-0002
May 14, 2015 (EM) 002700591-0003
May 14, 2015 (EM) 002700591-0006

DESCRIPTION

(51) **LOC (10) Cl.** **09-03**

(52) **U.S. Cl.**
USPC **D9/431**

(58) **Field of Classification Search**
USPC D9/430, 414, 432, 524, 516, 433, 431;
D7/543, 545, 602, 552.2, 538; 229/112
CPC B65D 1/00; B65D 5/4291; B65D 5/38;
A47F 5/11
See application file for complete search history.

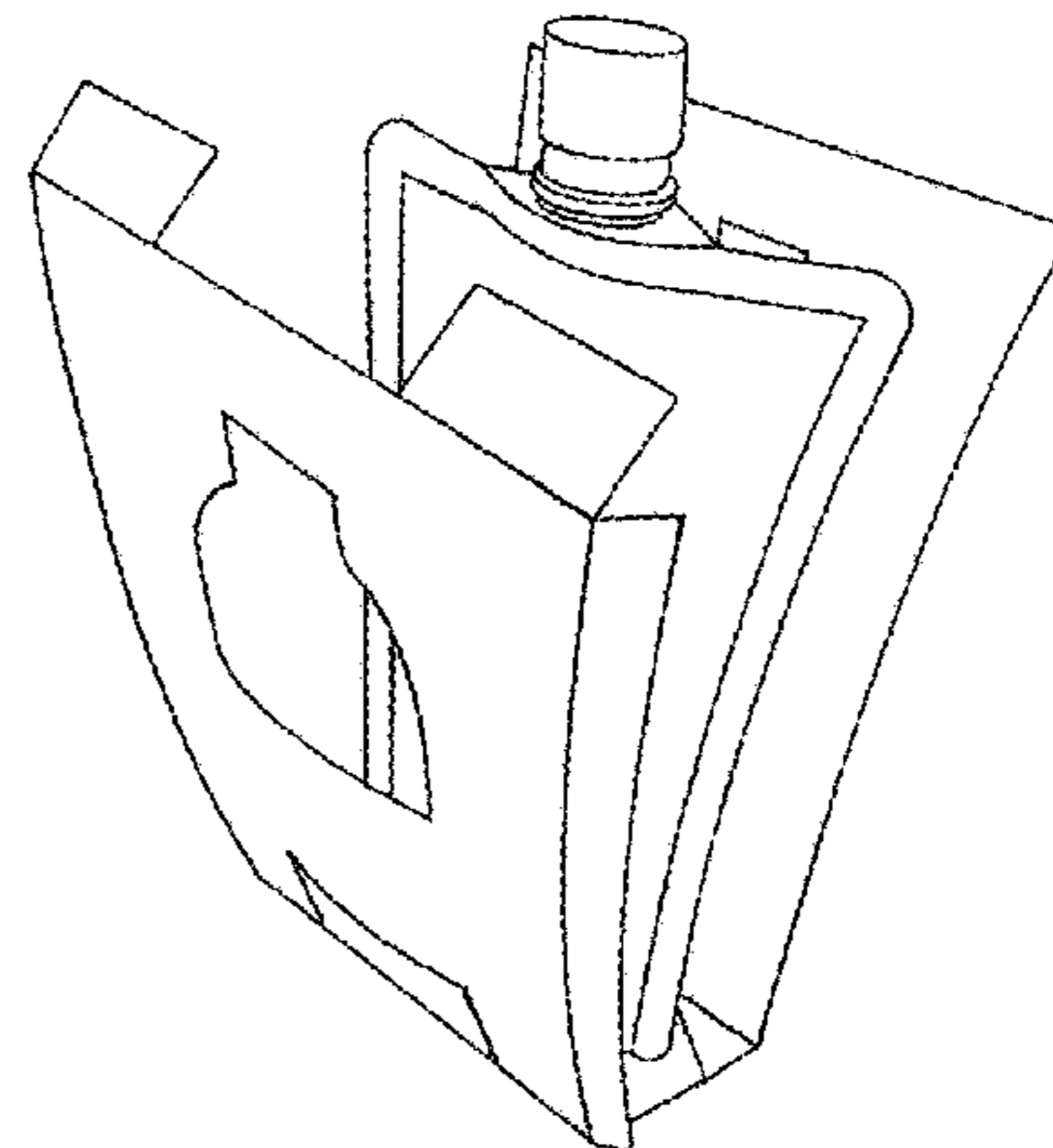
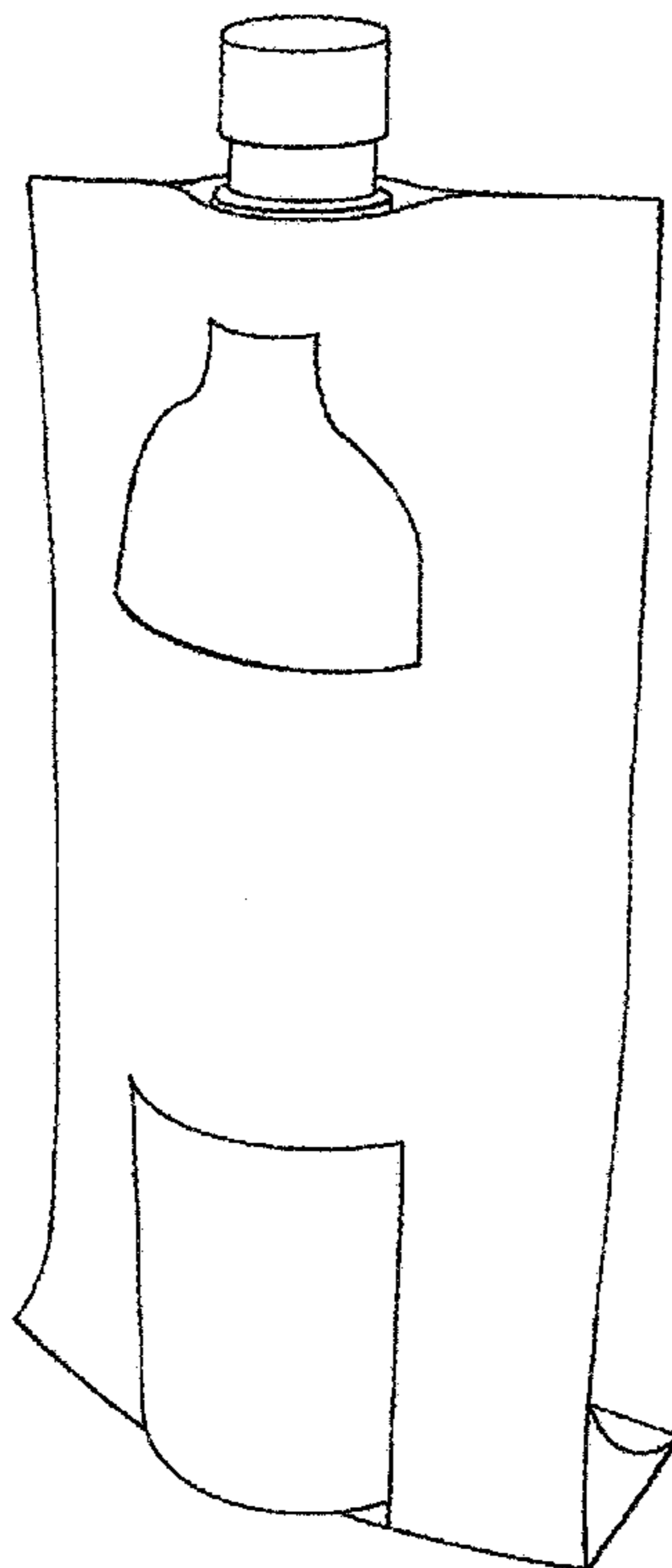
FIG. 1 is a front perspective view of packaging showing the new design in an unfilled state of use;
FIG. 2 is a back perspective view thereof;
FIG. 3 is a front elevation view thereof with the back elevation view being a mirror image;
FIG. 4 is a right side elevation view thereof shown in a filled state of use with the left side elevation view being a mirror image;
FIG. 5 is a top plan view thereof shown in a filled state of use;
FIG. 6 is an opened front perspective view of FIG. 1; and,
FIG. 7 is a partially closed front perspective view thereof.

(56) **References Cited**

U.S. PATENT DOCUMENTS

D717,644 S * 11/2014 Franic D9/431
D722,869 S * 2/2015 Himmelsbach D9/432

1 Claim, 7 Drawing Sheets



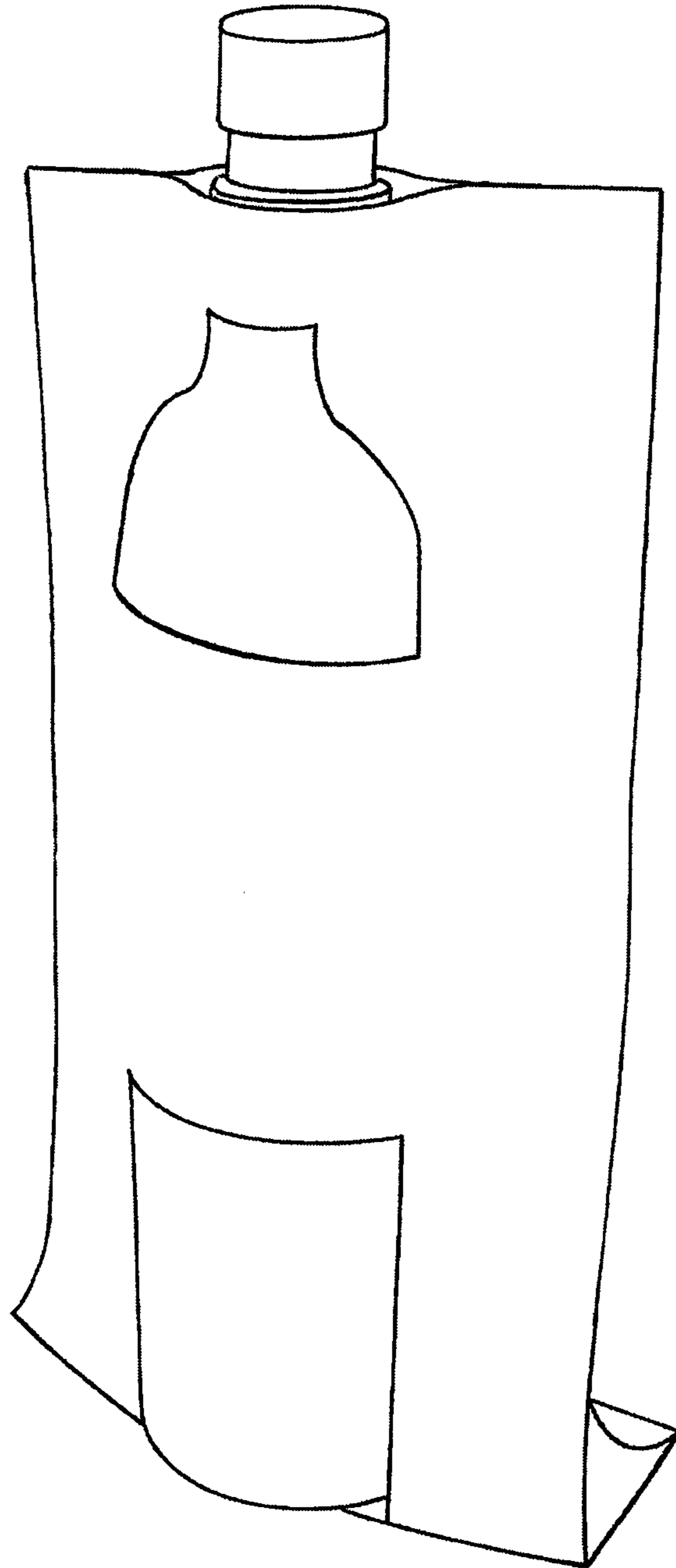


FIG. 1

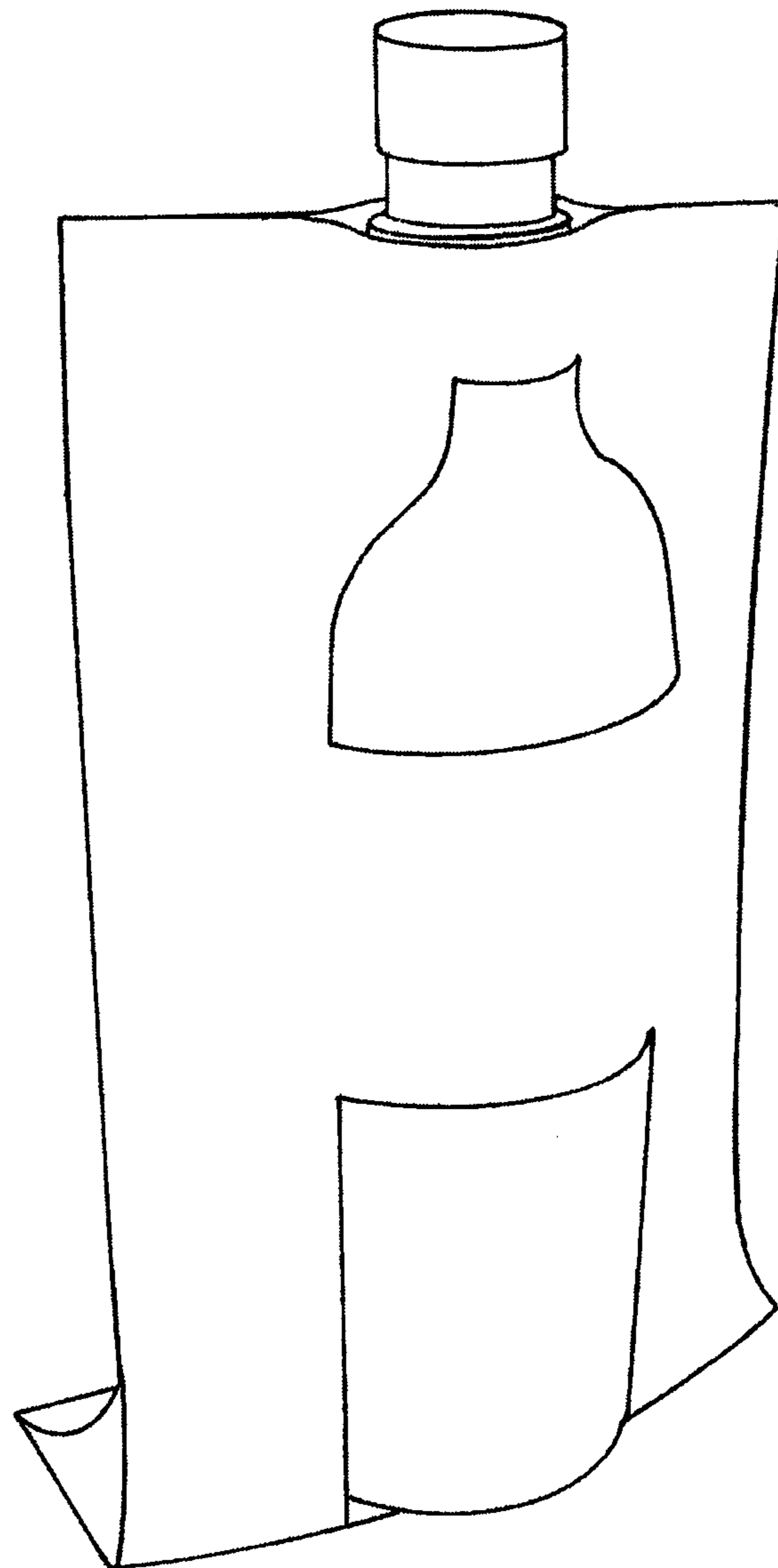


FIG. 2

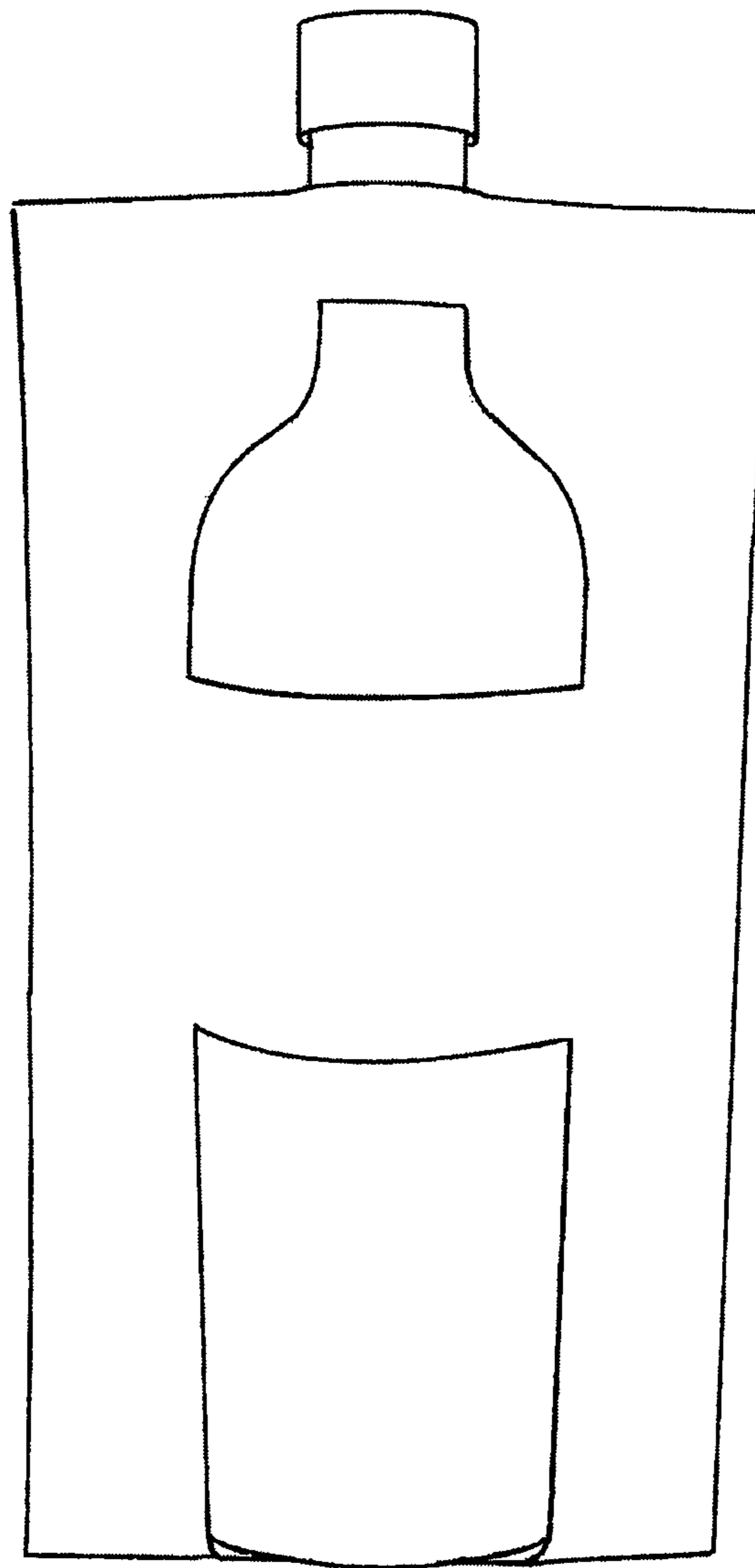


FIG. 3

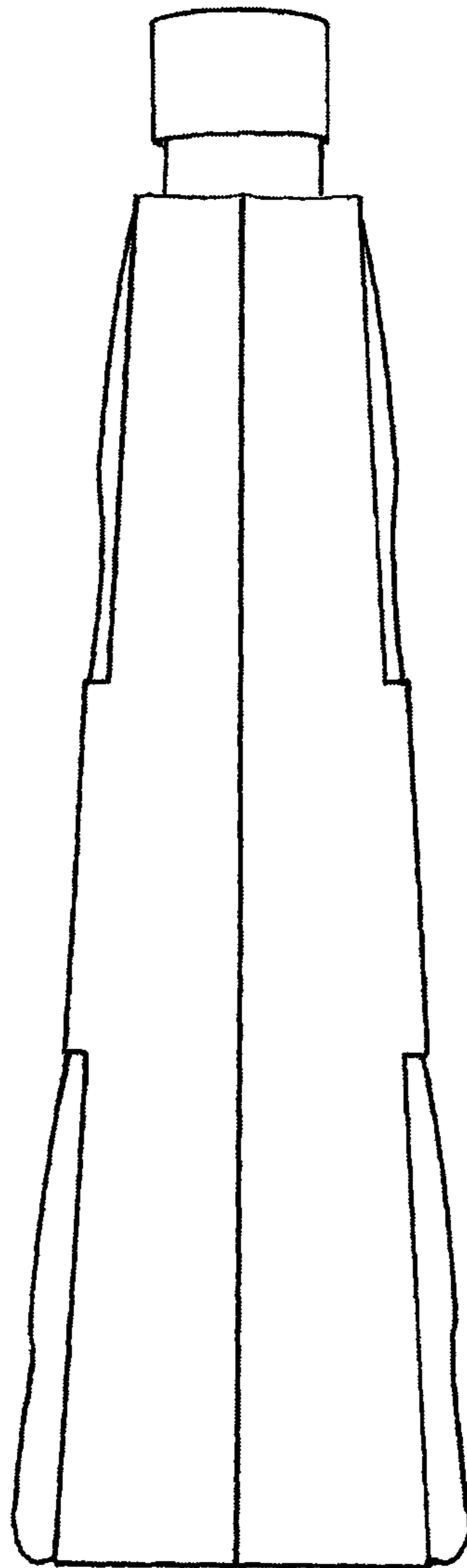


FIG. 4

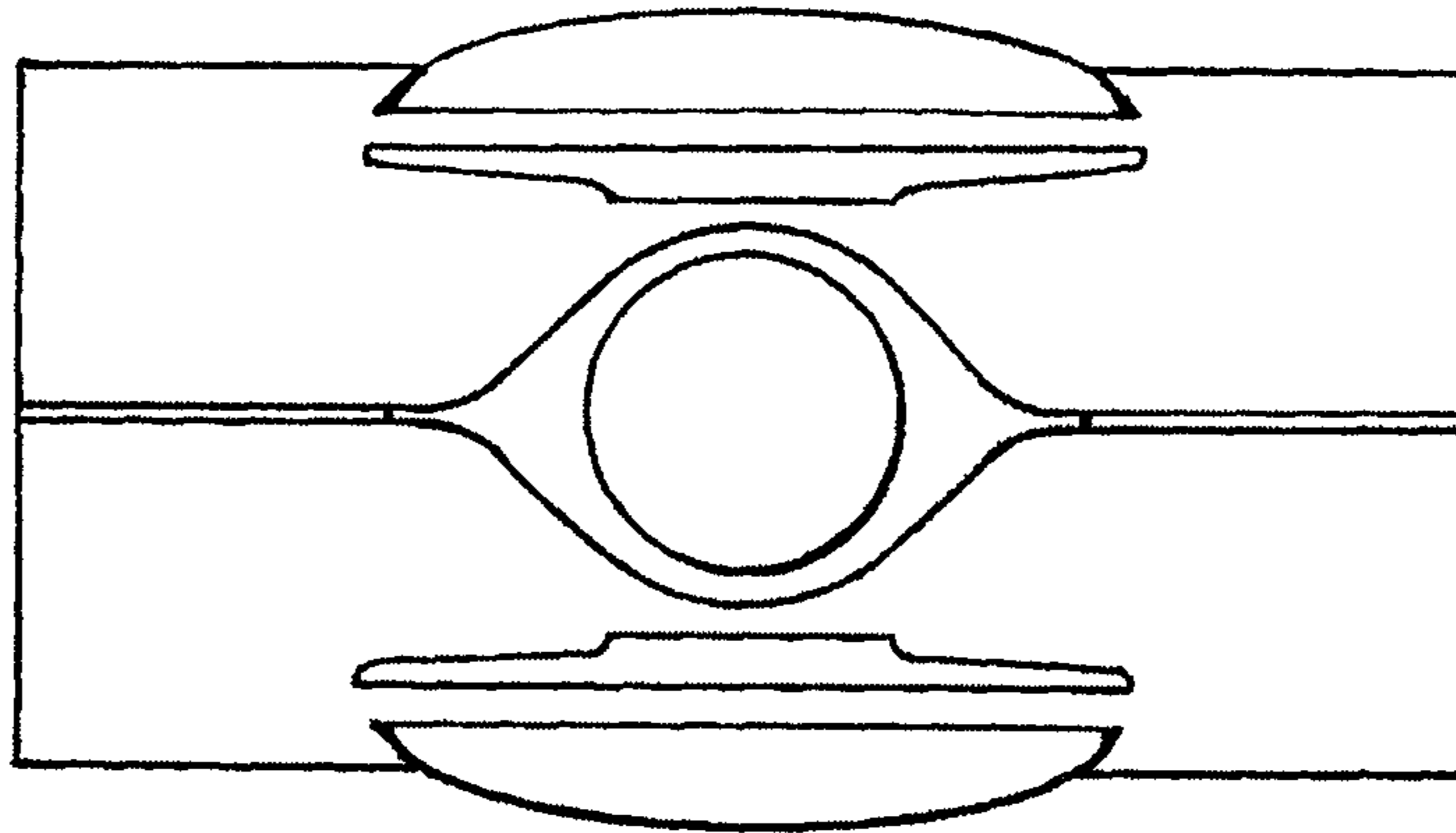
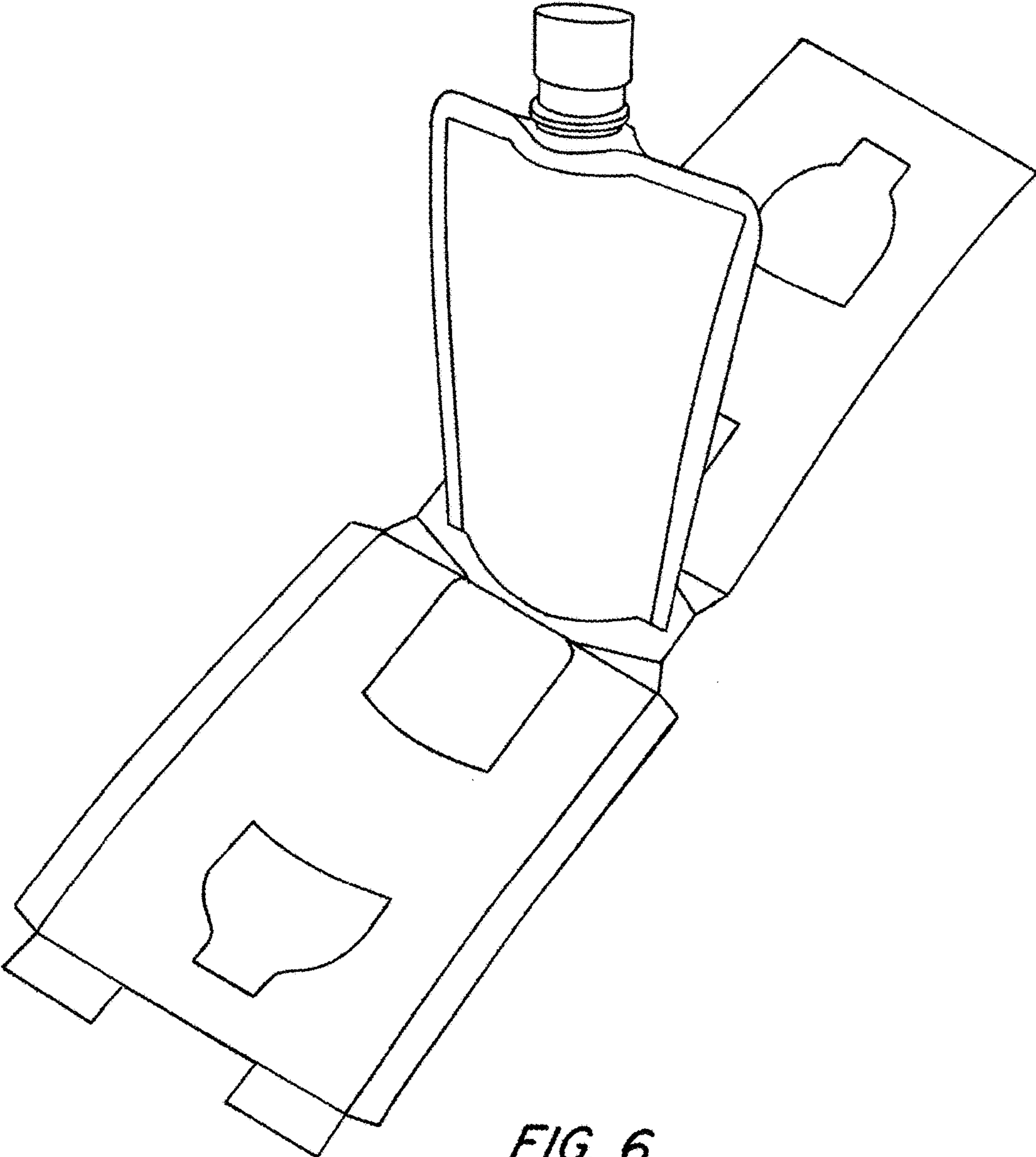


FIG. 5



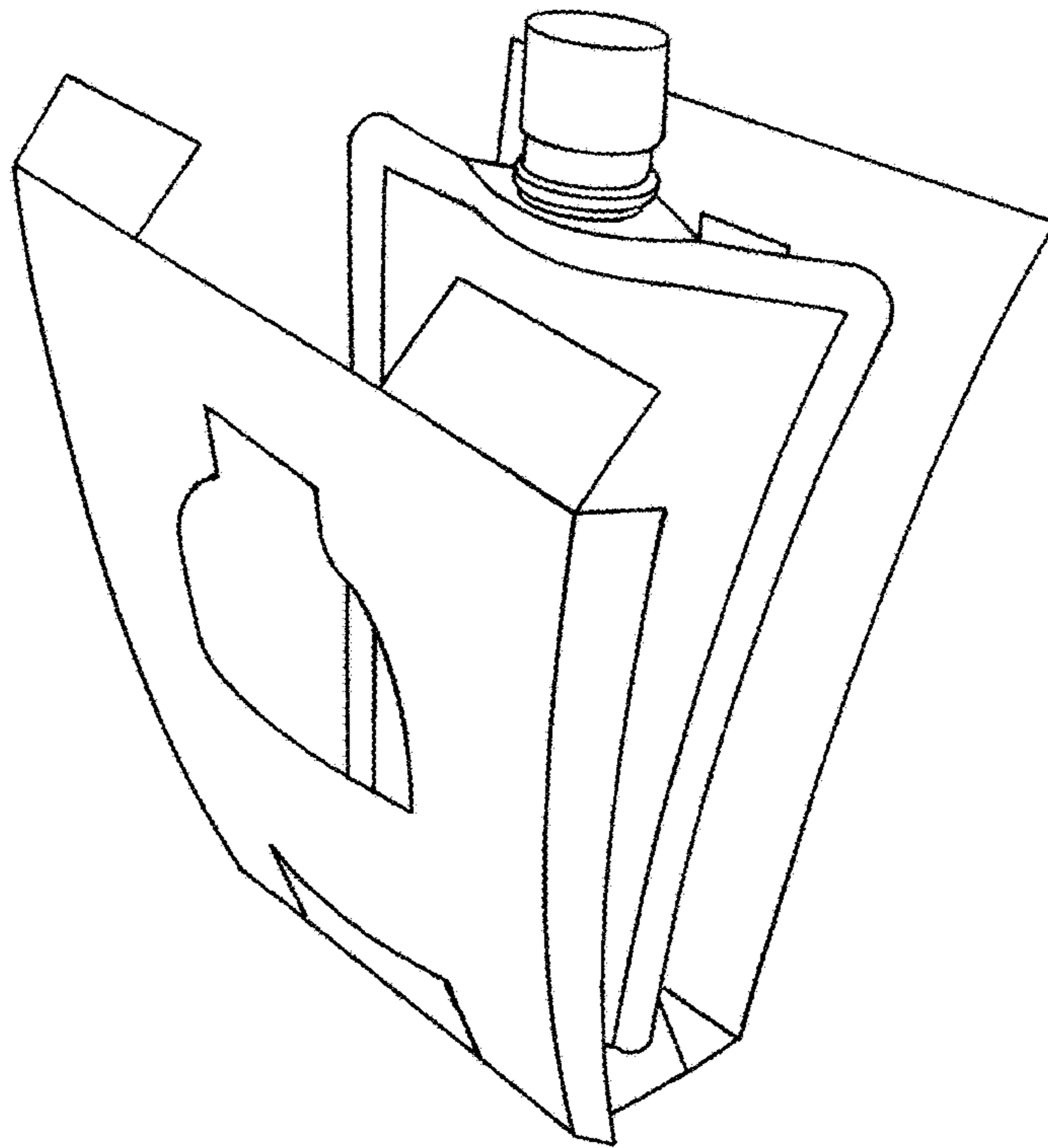


FIG. 7