

US00D799954S

(12) **United States Design Patent** (10) **Patent No.:** **US D799,954 S**
Baiz et al. (45) **Date of Patent:** **** Oct. 17, 2017**

(54) **BULLET SHAPED ENGINE NUT**
(71) Applicant: **ESR PERFORMANCE CORP,**
Miami, FL (US)
(72) Inventors: **Enrique J Baiz,** Miramar, FL (US);
Oswaldo Izquierdo, Homestead, FL
(US)
(**) Term: **15 Years**
(21) Appl. No.: **29/559,656**
(22) Filed: **Mar. 30, 2016**
(51) **LOC (10) Cl.** **08-08**
(52) **U.S. Cl.**
USPC **D8/397**
(58) **Field of Classification Search**
USPC D8/397, 387, 394, 382, 349; 411/432,
411/918, 179, 180, 190, 327, 531;
248/154; 606/232; 301/108.4
CPC F16B 23/00; B60B 31/00; B60B 29/00;
B60B 7/0013; B60B 7/14; A63F 9/0876
See application file for complete search history.

(56) **References Cited**
U.S. PATENT DOCUMENTS
5,728,136 A * 3/1998 Thal A61B 17/0401
606/232
D407,362 S * 3/1999 Schardt D12/204
D416,189 S * 11/1999 Bollman D8/382
D460,398 S * 7/2002 Berry D12/213
D469,345 S * 1/2003 Berry D8/382
6,540,750 B2 * 4/2003 Burkhardt A61B 17/0401
606/232
D476,286 S * 6/2003 Chung D12/213

6,692,083 B2 * 2/2004 Latham E21C 35/18
299/104
D581,777 S * 12/2008 Huang D8/397
D613,594 S * 4/2010 Huang D12/213
D613,595 S * 4/2010 Huang D12/213
D625,990 S * 10/2010 Lin D12/213
D637,907 S * 5/2011 Maxa D9/452
D720,208 S * 12/2014 Jordan D8/397
D731,300 S * 6/2015 Vargas D8/397
D748,972 S * 2/2016 Primeau D8/397
2009/0315390 A1 * 12/2009 Weld B60B 3/008
301/37.376
2015/0251488 A1 * 9/2015 Hoff B60B 7/16
301/37.21

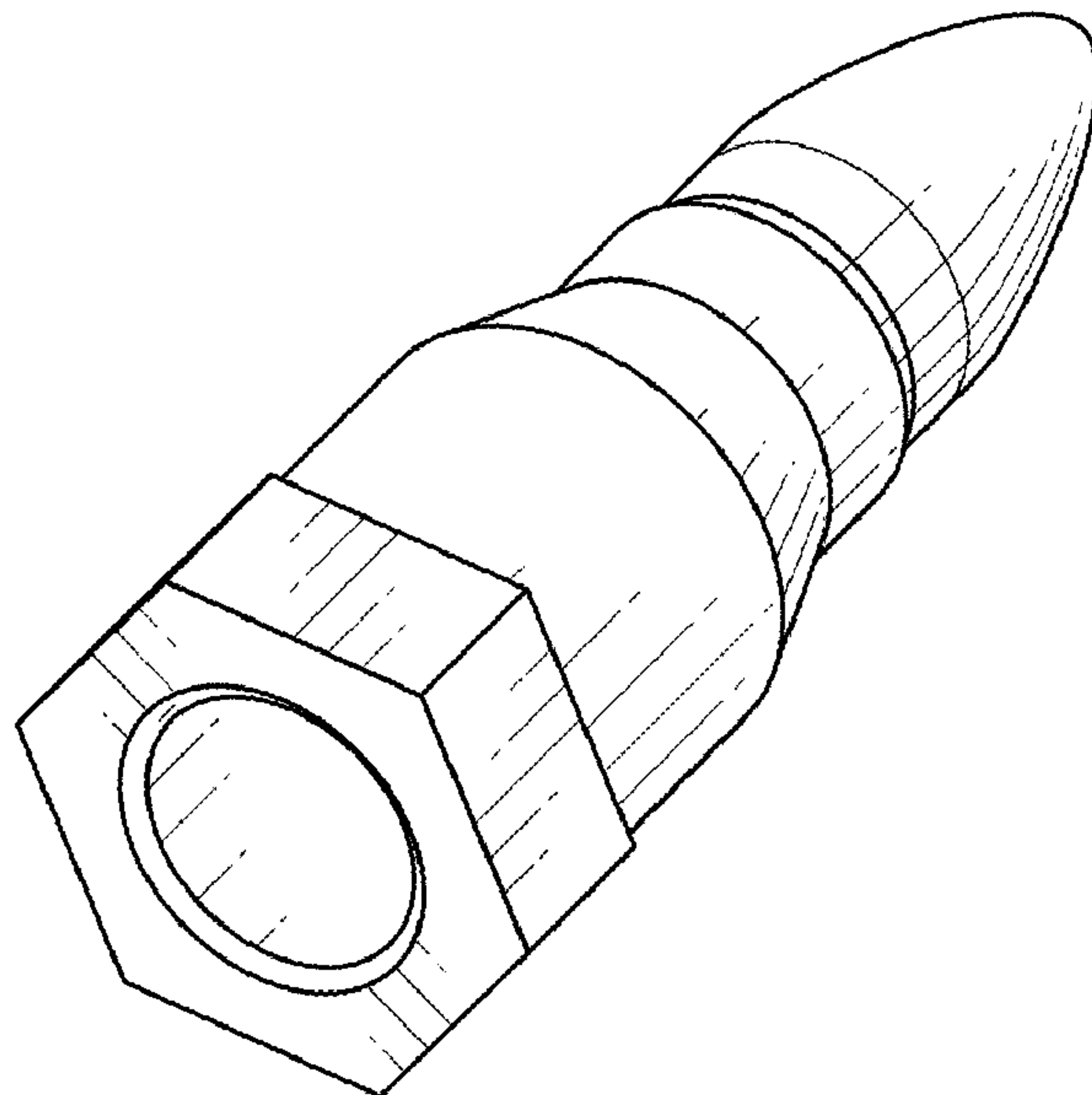
* cited by examiner

Primary Examiner — Cynthia Underwood
(74) *Attorney, Agent, or Firm* — QuickPatents, LLC;
Kevin Prince

(57) **CLAIM**
The ornamental design for a bullet shaped engine nut, as
shown and described.

DESCRIPTION
FIG. 1 is a front elevational view of a bullet shaped engine
nut showing our new design, the rear elevational view being
a mirror image thereof;
FIG. 2 is a left-side elevational view thereof, the right-side
being a mirror image thereof;
FIG. 3 is a cross-sectional view thereof, taken along line 3-3
of FIG. 1;
FIG. 4 is a top front perspective view thereof;
FIG. 5 is a top rear perspective view thereof;
FIG. 6 is a bottom front perspective view thereof; and,
FIG. 7 is a bottom rear perspective view thereof.

1 Claim, 3 Drawing Sheets



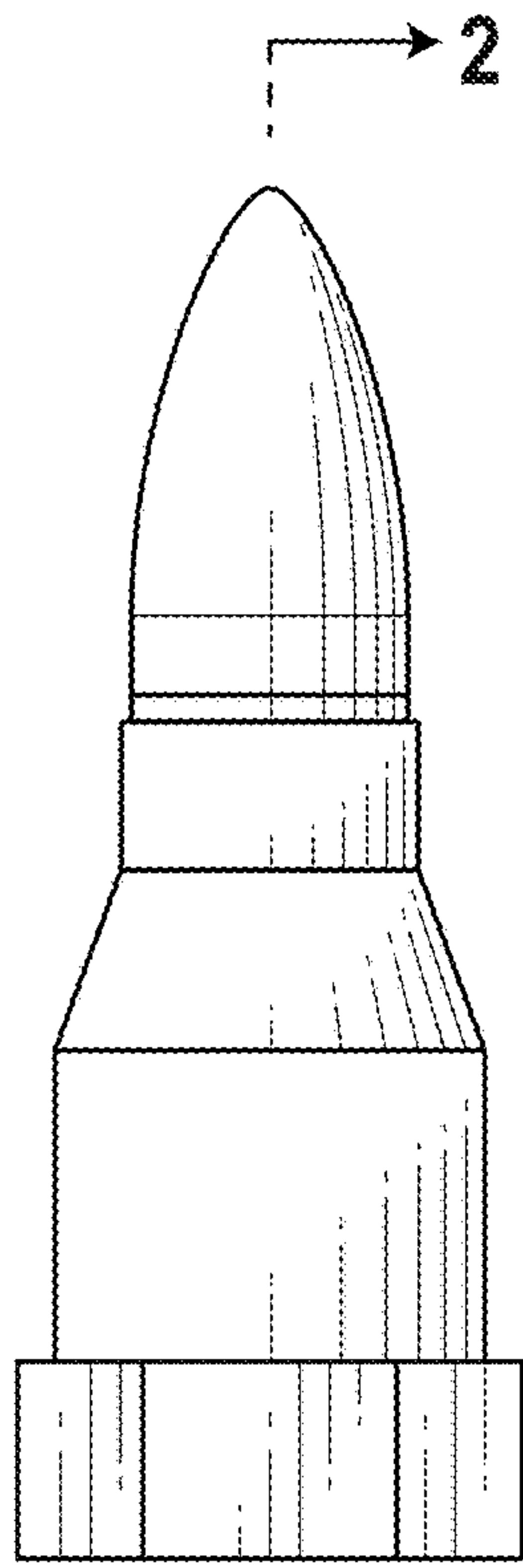


FIG. 1

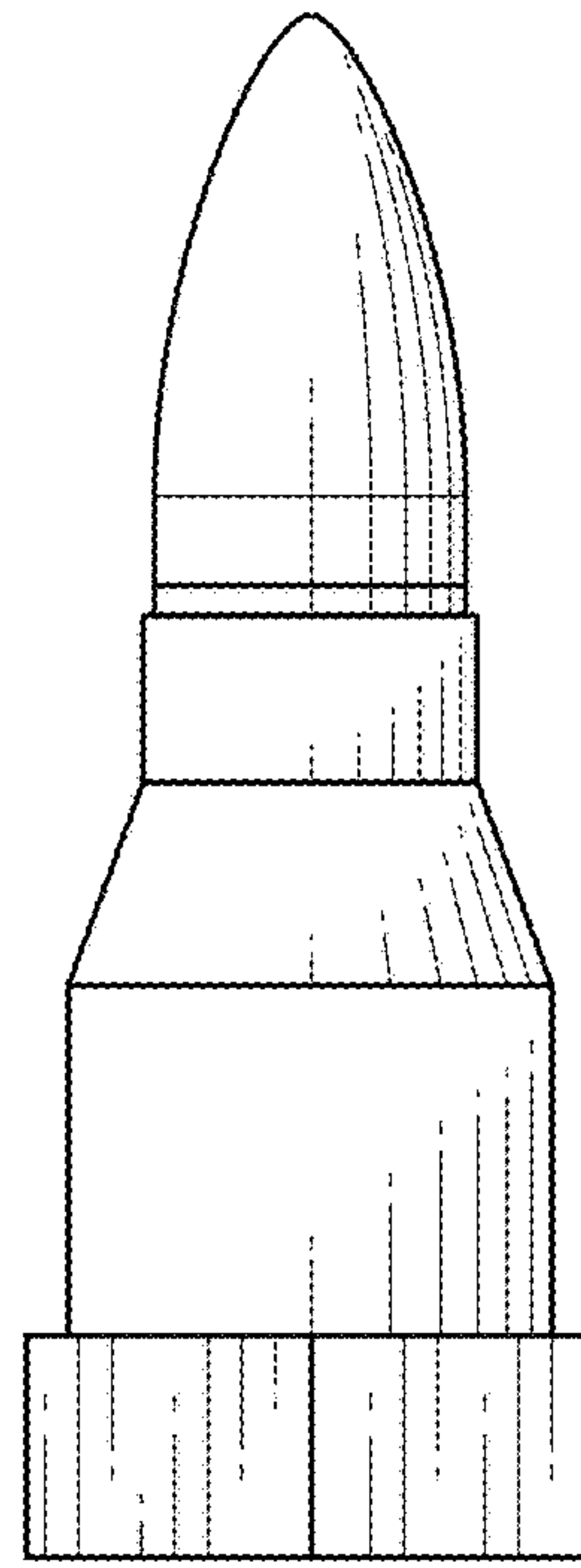


FIG. 2

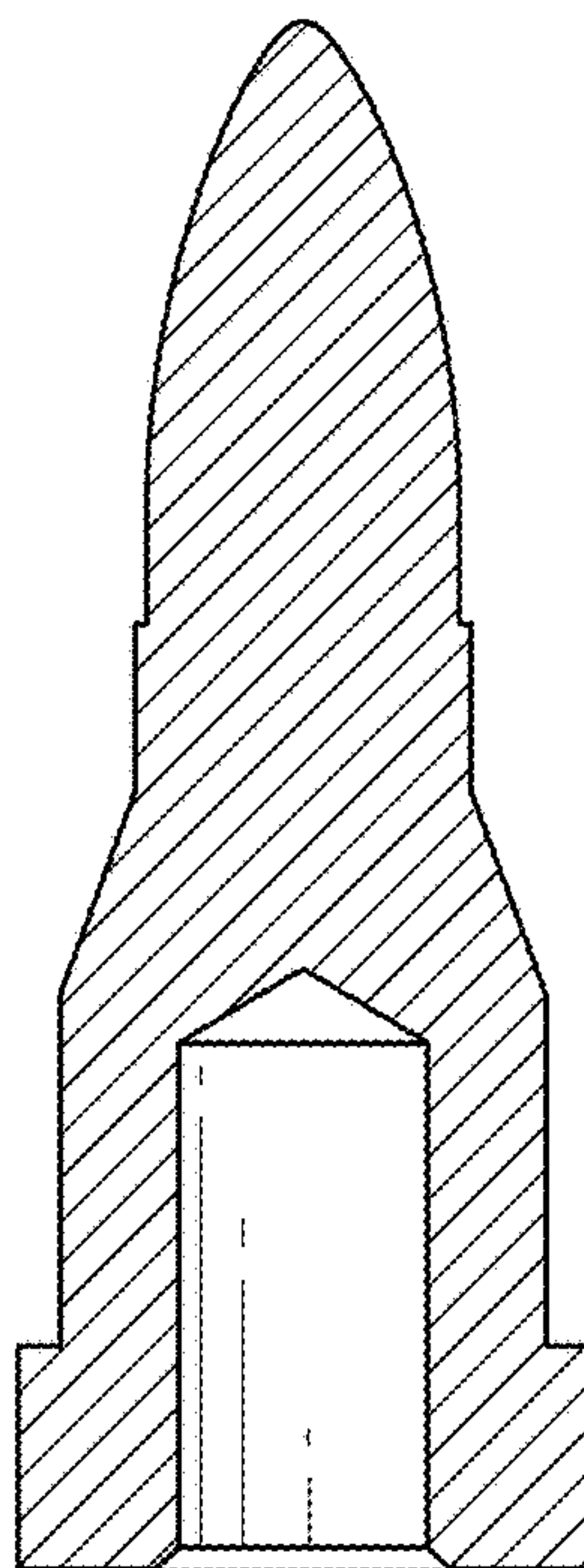


FIG. 3

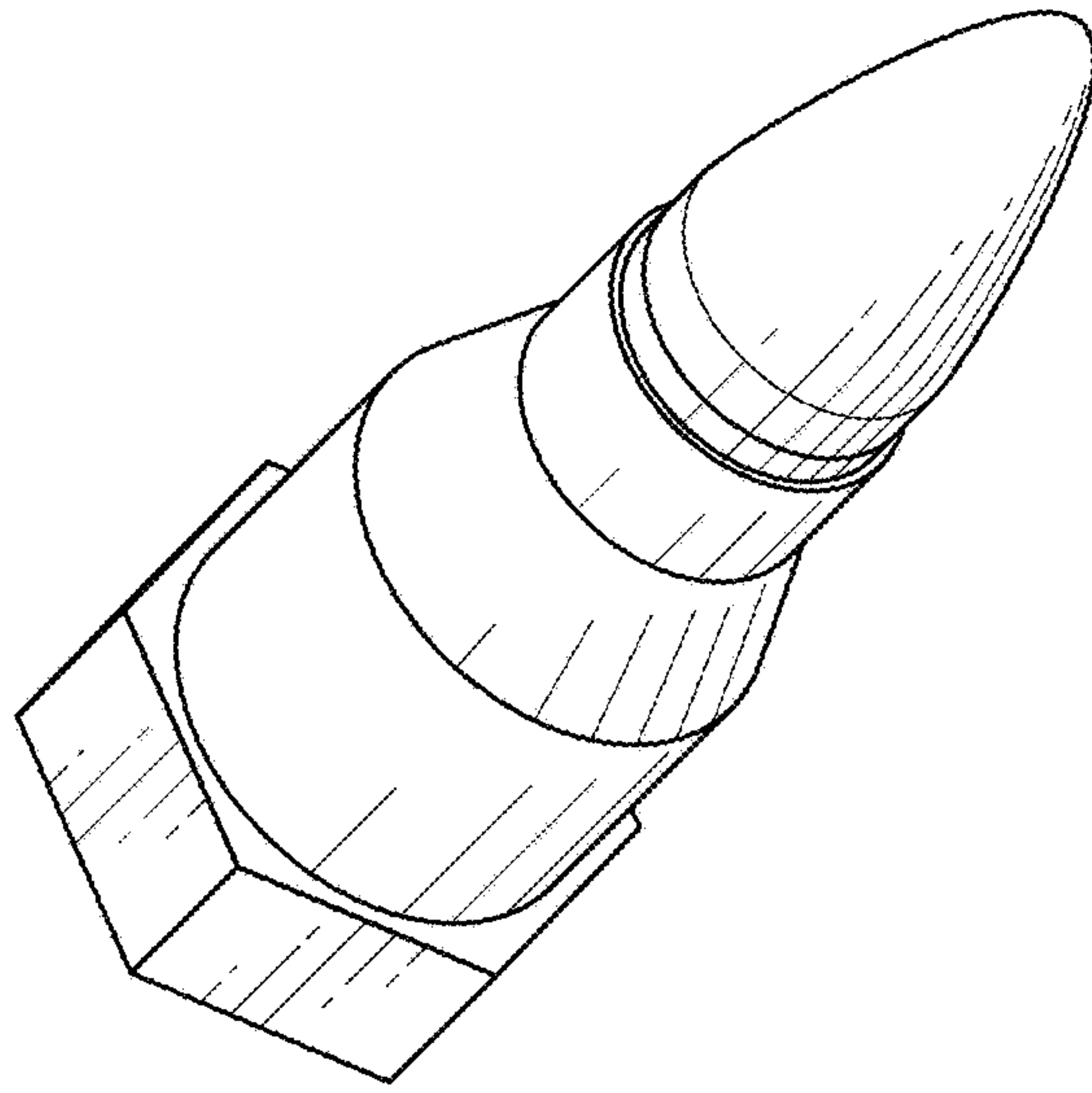


FIG. 4

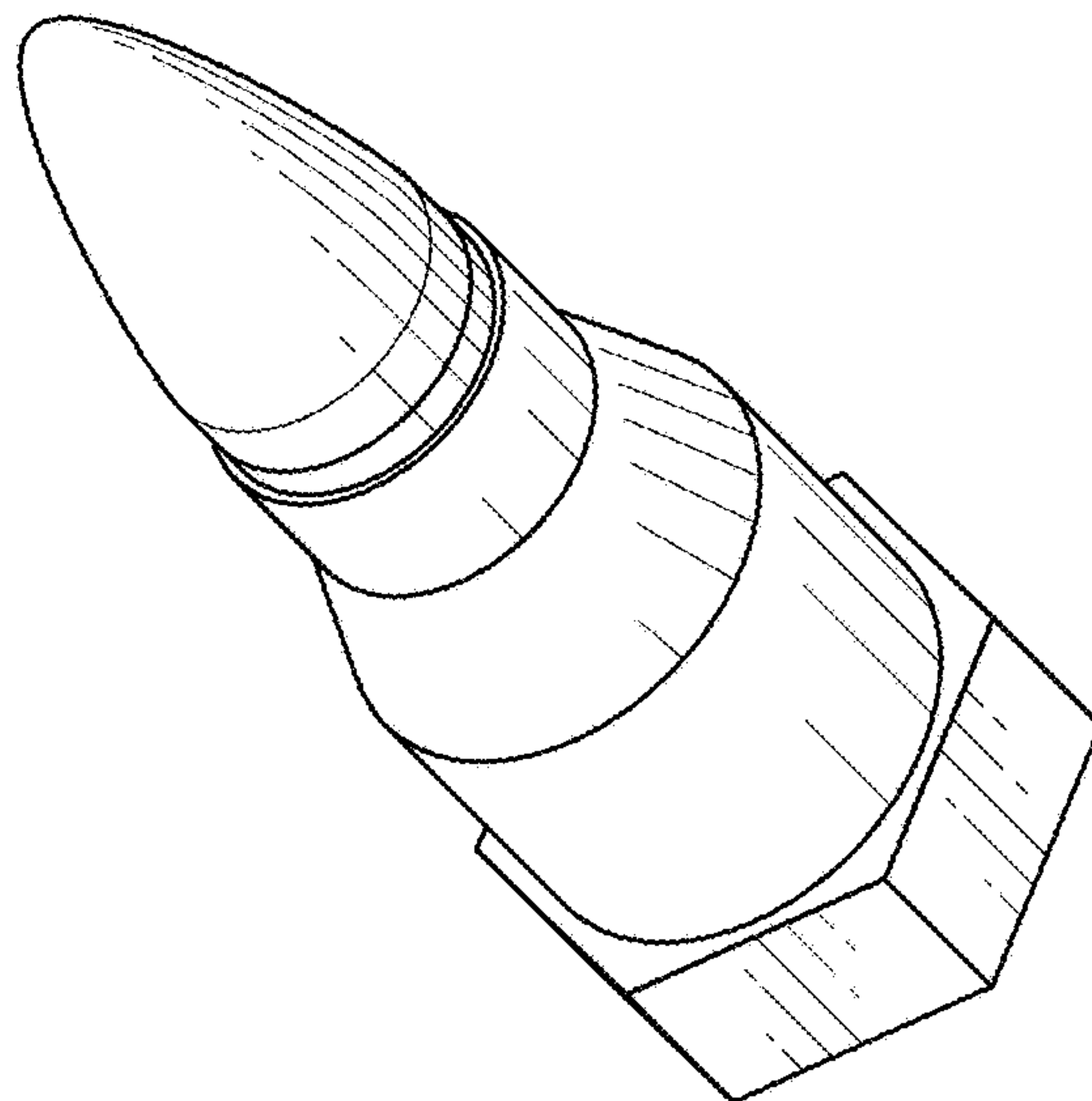


FIG. 5

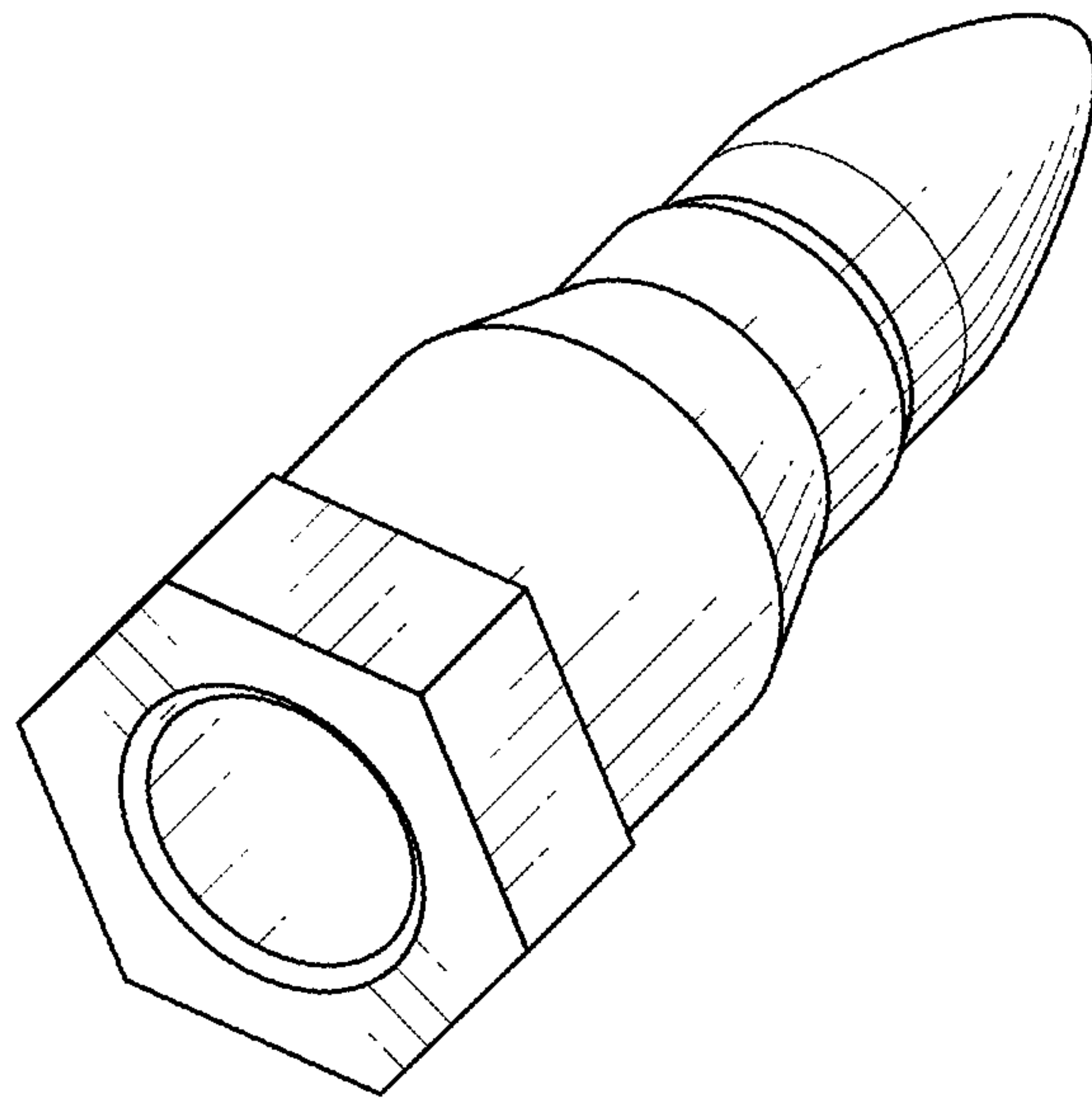


FIG. 6

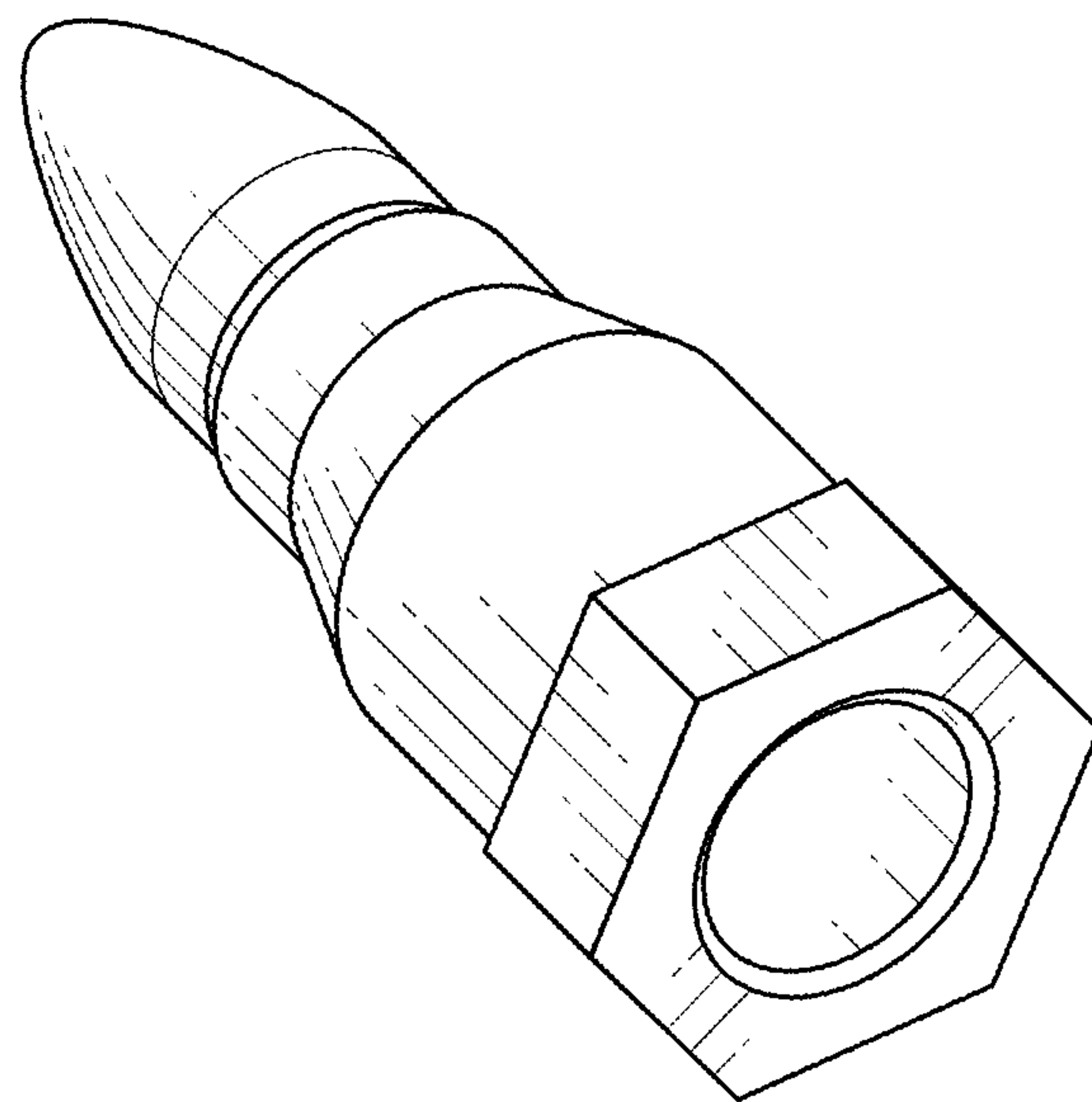


FIG. 7