



US00D799953S

(12) **United States Design Patent** (10) **Patent No.:** **US D799,953 S**
Papafagos et al. (45) **Date of Patent:** **** Oct. 17, 2017**

(54) **TWO HOLE SWIVEL CLAMP**

FOREIGN PATENT DOCUMENTS

(71) Applicant: **TECTRAN Mfg. Inc.**, Cheektowaga, NY (US)

JP D1259724 * 1/2006

(72) Inventors: **James C. Papafagos**, North Java, NY (US); **Jeffrey D. McKeown**, Banner Elk, NC (US)

OTHER PUBLICATIONS

Tec-Clamp, video date Sep. 22, 2016, <https://www.youtube.com/watch?v=to-njffuRNs>, site visited May 11, 2017.*

(73) Assignee: **Tectran Mfg. Inc.**, Cheektowaga, NY (US)

Primary Examiner — John Windmuller

Assistant Examiner — John R Yeh

(**) Term: **15 Years**

(74) *Attorney, Agent, or Firm* — Verrill Dana, LLP; David C. Robertson

(21) Appl. No.: **29/571,528**

(57) **CLAIM**

We claim the ornamental design for a two hole swivel clamp, as shown and described.

(22) Filed: **Jul. 19, 2016**

(51) **LOC (10) Cl.** **08-08**

(52) **U.S. Cl.**
USPC **D8/396**

(58) **Field of Classification Search**
USPC D8/382, 384–386, 394–396, 71–74, 499, D8/354–355; D23/361, 363, 366–369; D14/447

CPC F16B 19/00; F16B 19/1081; F16B 19/008; F16B 19/08; F16B 21/075; F16L 3/127; F16L 3/13

See application file for complete search history.

DESCRIPTION

FIG. 1 is a perspective view of a two hole swivel clamp depicting, in part, the new, original and ornamental design thereof.

FIG. 2 is a perspective view of the two hole swivel clamp showing the underside thereof.

FIG. 3 is a right side elevation view of the two hole swivel clamp of FIG. 1.

FIG. 4 is a left side elevation view of the two hole swivel clamp of FIG. 1.

FIG. 5 is a front elevation view of the two hole swivel clamp of FIG. 1.

FIG. 6 is a rear elevation view of the two hole swivel clamp of FIG. 1.

FIG. 7 is a top plan view of the two hole swivel clamp of FIG. 1; and,

FIG. 8 is a bottom plan view of the two hole swivel clamp of FIG. 1.

The broken lines in the drawing figures depict environmental structure or portions of the two hole swivel clamp for illustrative purposes only, and form no part of the claimed design.

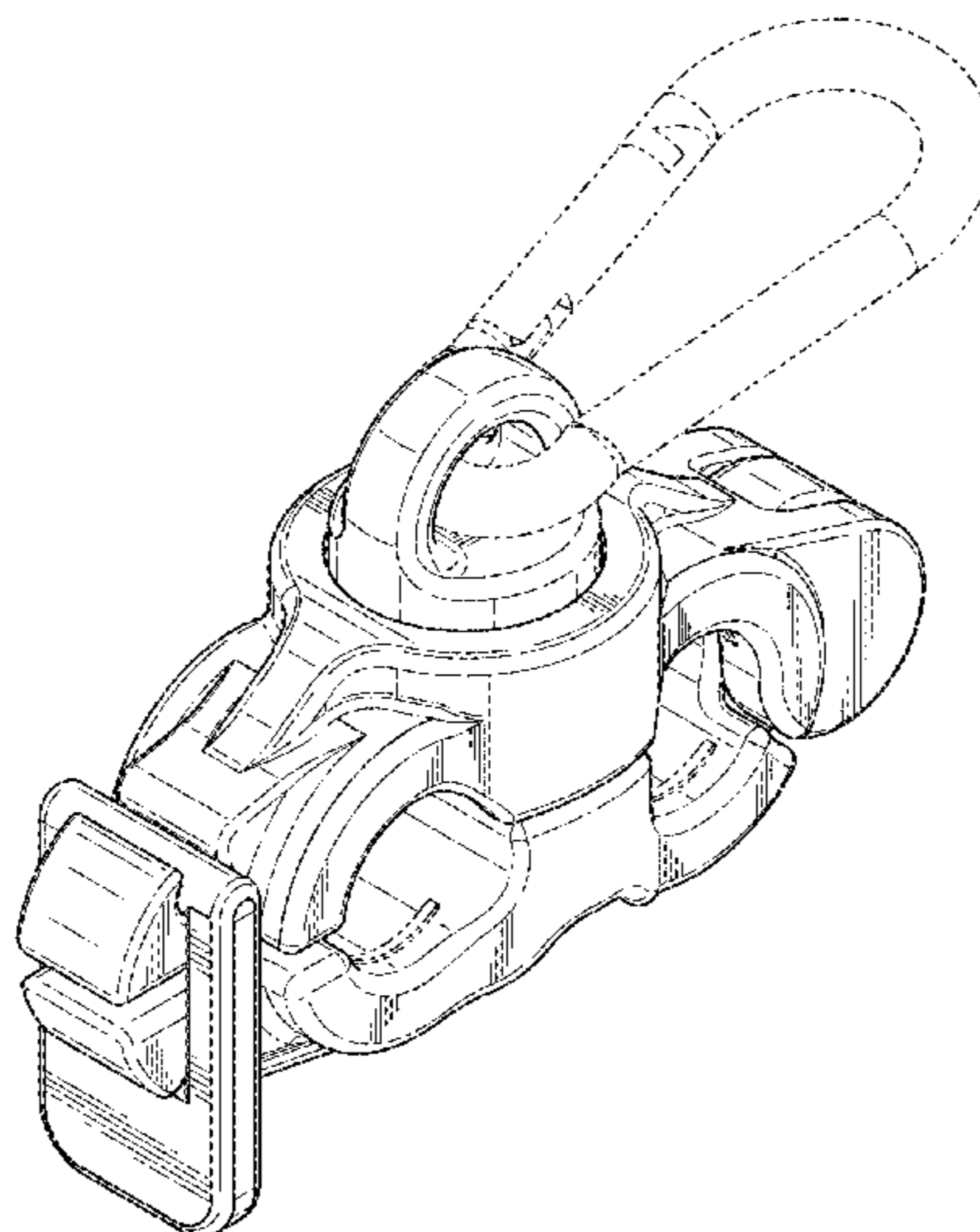
(56) **References Cited**

U.S. PATENT DOCUMENTS

3,521,332	A *	7/1970	Kramer	F16B 2/22
					248/229.26
D230,826	S *	3/1974	Menshen	D8/396
D234,204	S *	1/1975	Miller et al.	24/487
D236,250	S *	8/1975	Walton	D13/154
4,089,087	A *	5/1978	Heitman	F16L 3/2235
					24/329
4,550,891	A *	11/1985	Schaty	F16B 21/071
					174/166 R
D311,487	S *	10/1990	Platt	D8/356

(Continued)

1 Claim, 6 Drawing Sheets



(56)

References Cited

U.S. PATENT DOCUMENTS

5,209,441 A * 5/1993 Satoh F16L 3/223
174/135
5,263,671 A * 11/1993 Baum B62J 11/00
24/543
5,669,590 A * 9/1997 Przewodek F16L 3/221
248/68.1
6,109,569 A * 8/2000 Sakaida F16L 3/222
248/316.7
6,405,414 B1 * 6/2002 Byrnes A61M 25/00
24/339
D459,977 S * 7/2002 Byrnes D8/357
6,926,237 B2 * 8/2005 Shereyk F16B 5/0685
248/71
D537,332 S * 2/2007 Nagle D8/396
7,185,770 B1 * 3/2007 Roten A47B 81/00
211/70.6
D540,157 S * 4/2007 Nagle D8/396
D575,231 S * 8/2008 Ho D13/133
D581,255 S * 11/2008 Calvin D8/356
D676,314 S * 2/2013 Cude D8/396
D695,550 S * 12/2013 Yiannaki D6/606
D761,643 S * 7/2016 Papafagos D8/396

* cited by examiner

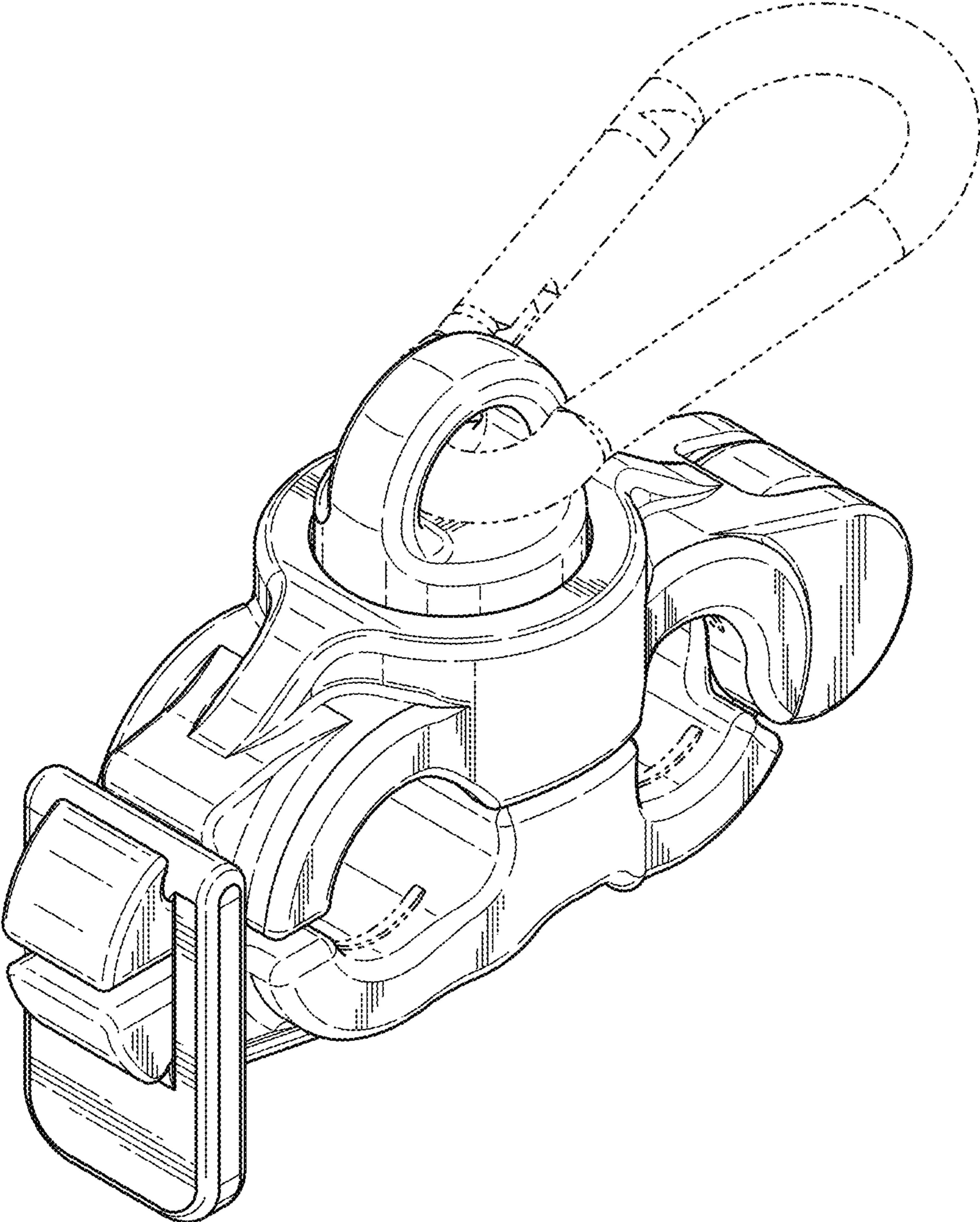


FIG. 1

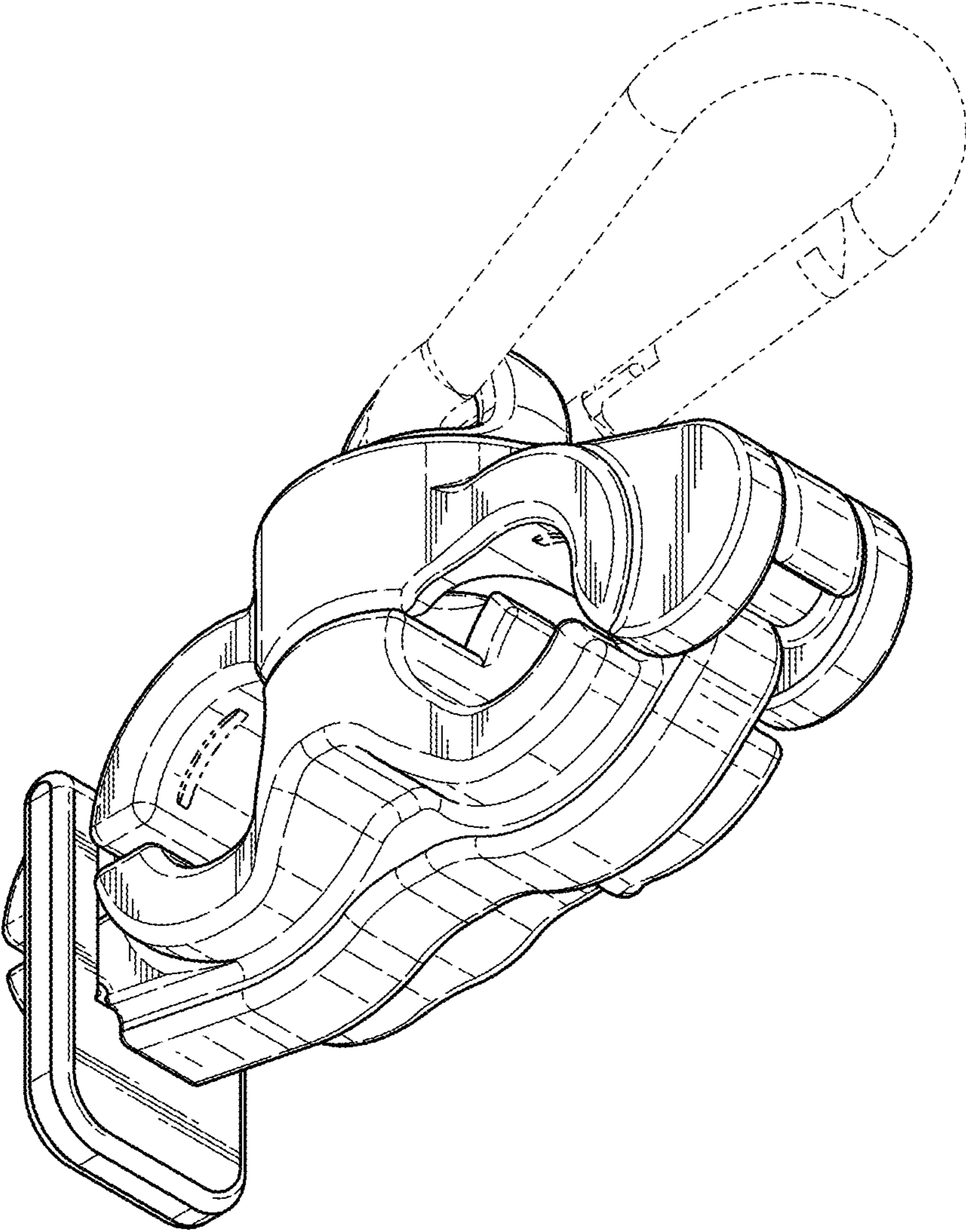


FIG. 2

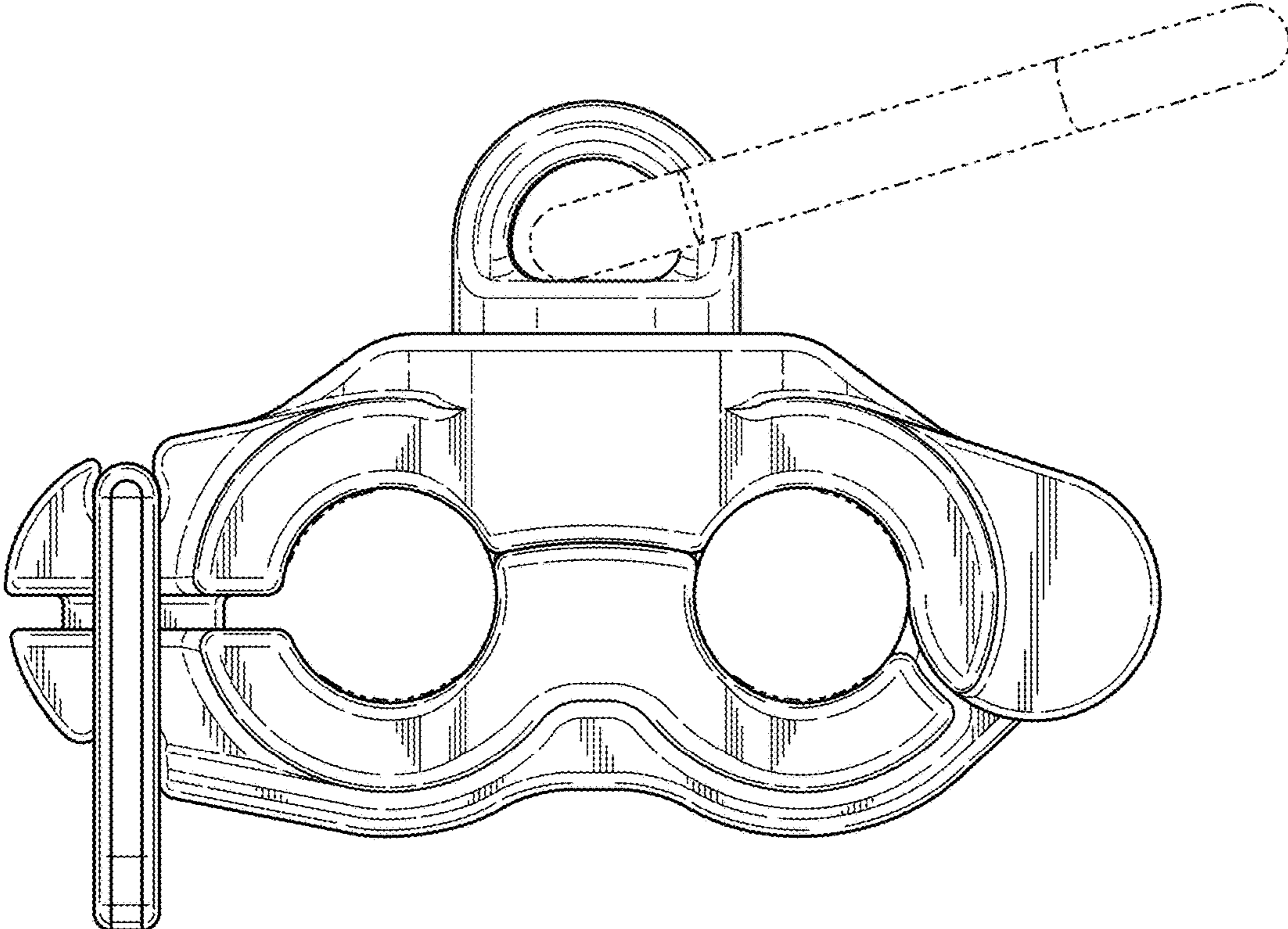


FIG. 3

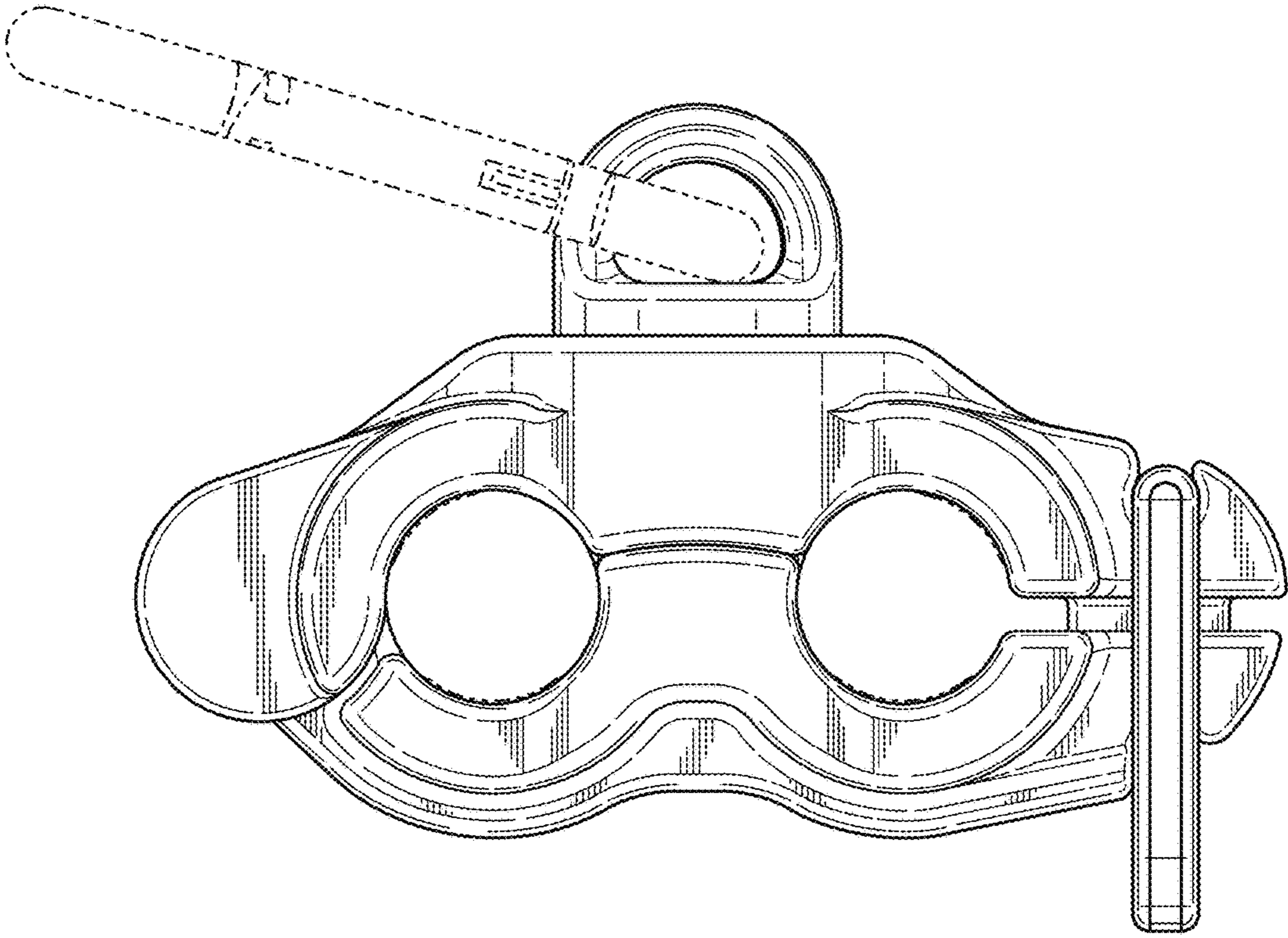


FIG. 4

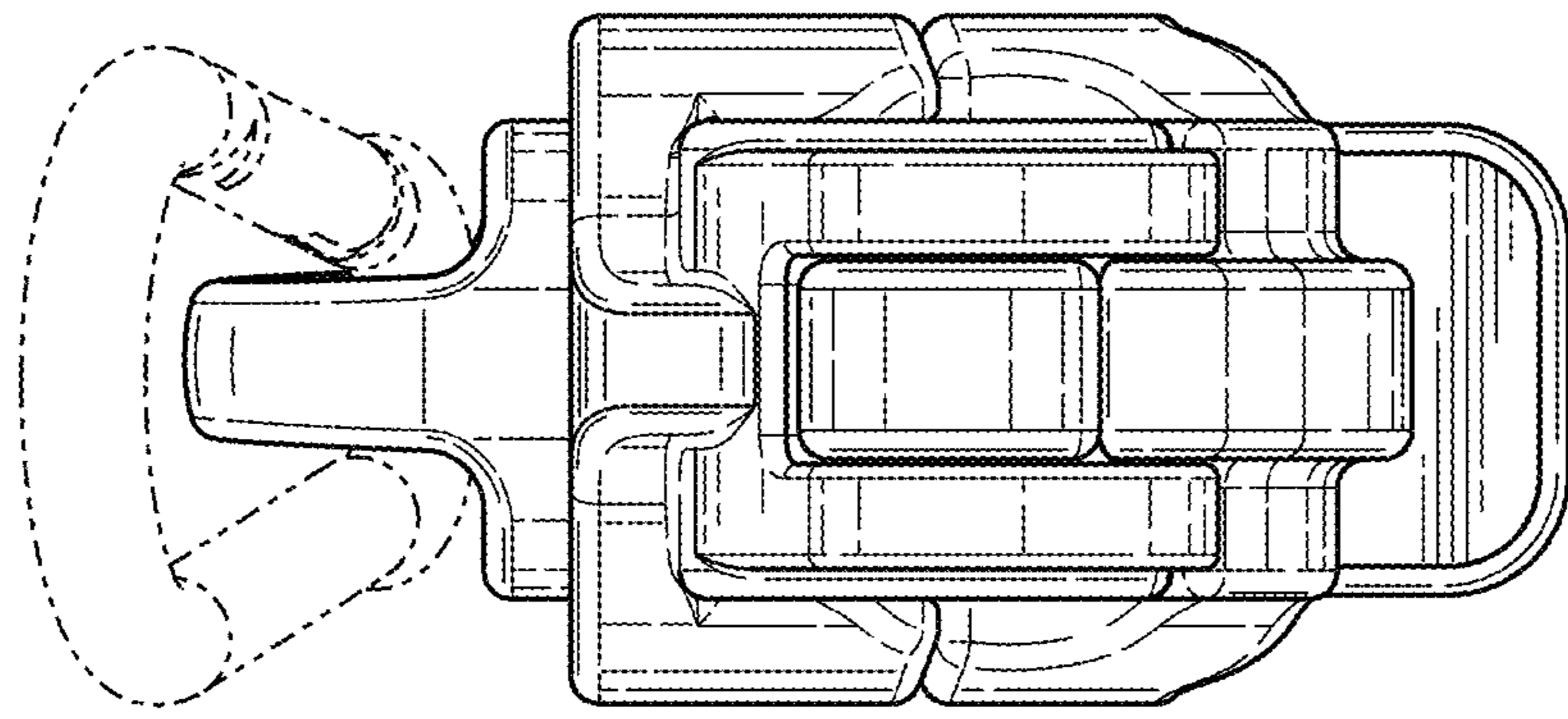


FIG. 5

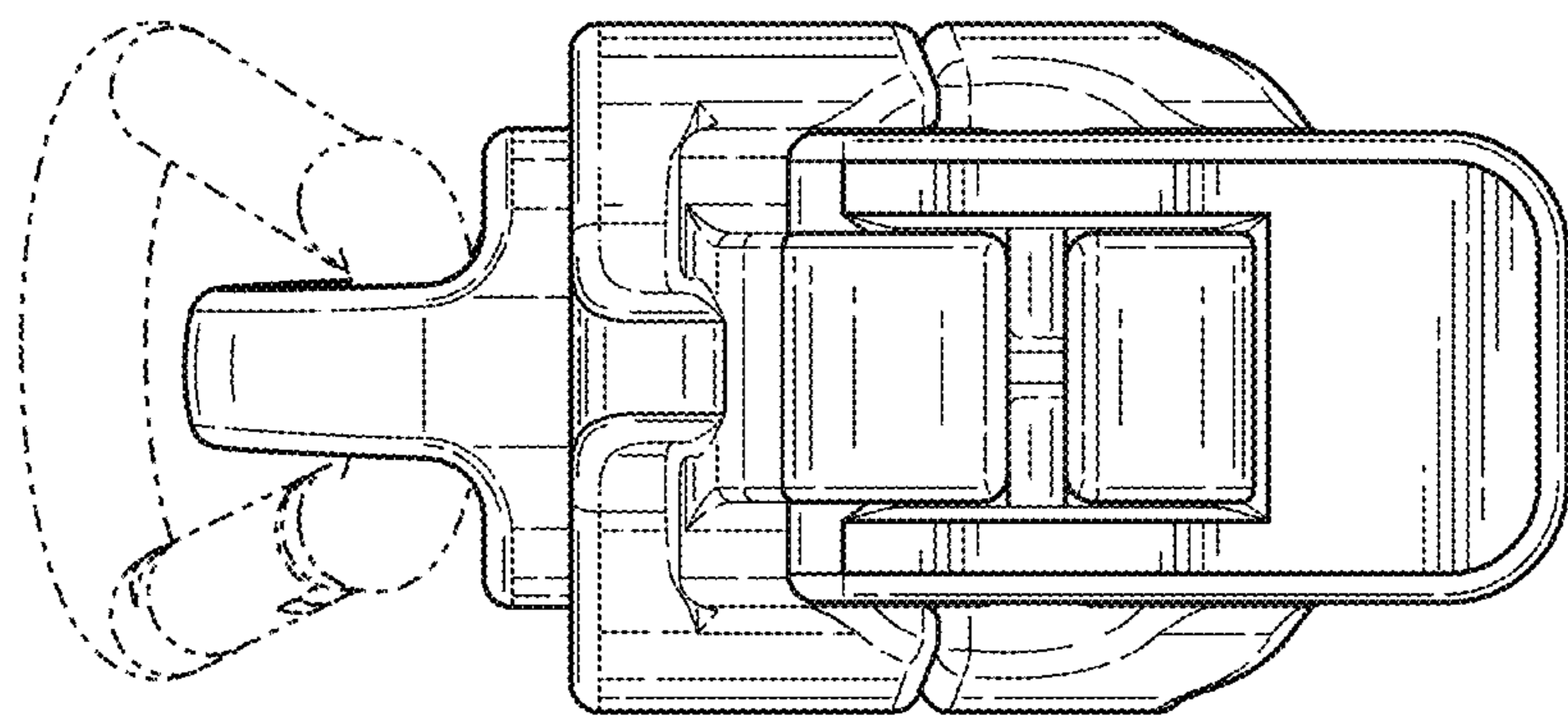


FIG. 6

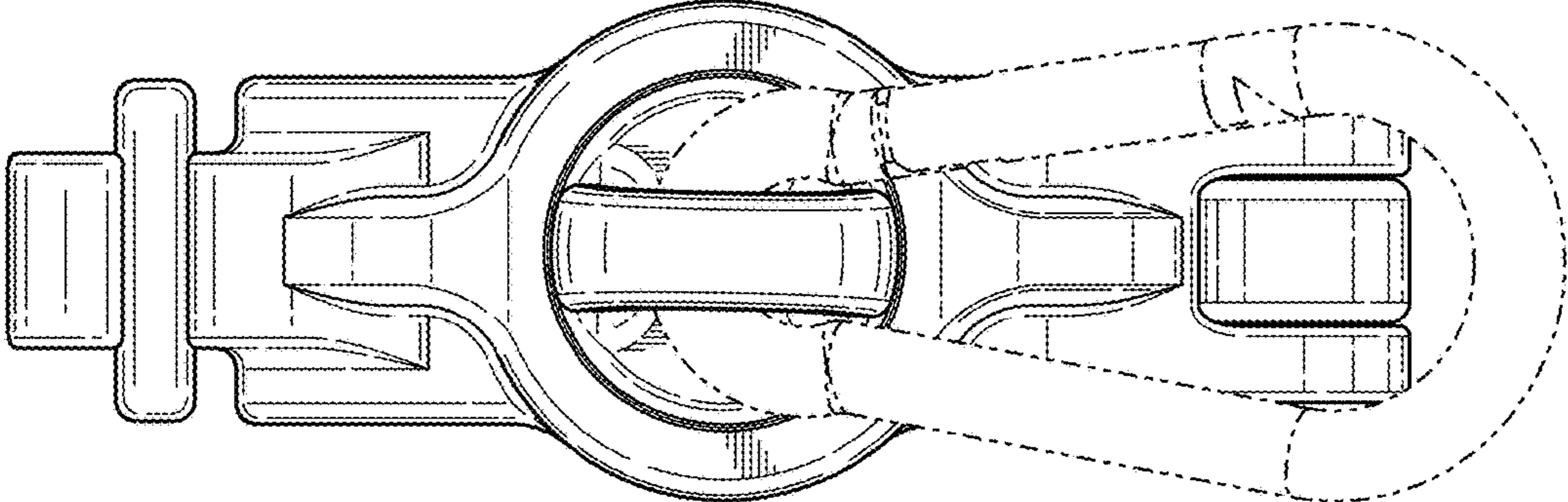


FIG. 7

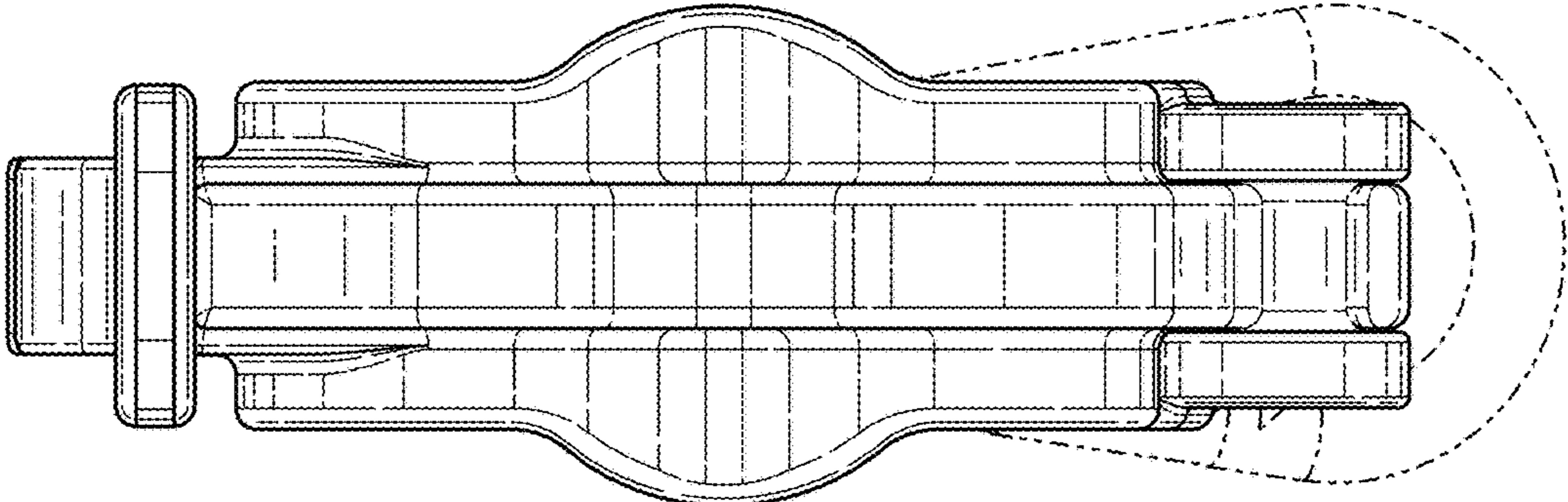


FIG. 8