

US00D799950S

(12) **United States Design Patent** (10) **Patent No.:** **US D799,950 S**  
**von Wilcke** (45) **Date of Patent:** **\*\* \*Oct. 17, 2017**

(54) **SCREW** 6,241,446 B1 \* 6/2001 Herzog ..... F16B 41/002  
411/433  
(71) Applicant: **Häfele GmbH & Co KG**, Nagold (DE) D567,074 S \* 4/2008 Gallien ..... D8/387  
D585,730 S \* 2/2009 Fernandez ..... D8/387  
(72) Inventor: **Michael von Wilcke**, Birkenwerder D720,609 S \* 1/2015 David ..... D8/387  
(DE) 2002/0006320 A1 \* 1/2002 Kupper ..... F16B 12/24  
411/383  
(73) Assignee: **Häfele GmbH & Co KG**, Nagold (DE) 2002/0141846 A1 \* 10/2002 McGough ..... F01L 1/46  
411/378

(\* ) Notice: This patent is subject to a terminal disclaimer.

(\*\* ) Term: **15 Years**

(21) Appl. No.: **29/541,600**

(22) Filed: **Oct. 6, 2015**

(30) **Foreign Application Priority Data**

May 15, 2015 (EM) ..... 00270177

(51) **LOC (10) Cl.** ..... **08-08**

(52) **U.S. Cl.**  
USPC ..... **D8/393**

(58) **Field of Classification Search**  
USPC ..... D8/382, 384, 387, 391, 393, 499  
CPC ..... F16B 35/00; F16B 35/04; F16B 35/041;  
F16B 35/044; F16B 35/048; F16B 35/06;  
F16B 23/0007; F16B 23/0023; F16B  
23/00; F16B 23/003; F16B 25/0042;  
F16B 25/0063; A47B 57/18; A47B 57/20;  
A47B 2013/028; A47B 57/485  
See application file for complete search history.

(56) **References Cited**

**U.S. PATENT DOCUMENTS**

2,140,449 A \* 12/1938 Brown ..... F16B 23/0007  
411/410  
4,286,496 A \* 9/1981 Harris ..... B25C 1/18  
102/532  
D264,552 S \* 5/1982 Bogren ..... D8/387  
4,541,600 A \* 9/1985 Vieglins ..... A47B 57/18  
211/186

**OTHER PUBLICATIONS**

Hafele 263.20.847 Bolt Galvanized, image post date (Unknown), Site visited on Sep. 1, 2016, <[http://www.finesthardware.com/Hafele-26320847-Bolt-Galvanized\\_p\\_69773.html](http://www.finesthardware.com/Hafele-26320847-Bolt-Galvanized_p_69773.html)>.\*  
Hafele 262.09.202 Spread Bolt, image post date (Unknown), Site visited on Sep. 1, 2016, <[http://www.finesthardware.com/Hafele-26209202-Spread-Bolt\\_p\\_69491.html](http://www.finesthardware.com/Hafele-26209202-Spread-Bolt_p_69491.html)>.\*

\* cited by examiner

*Primary Examiner* — Sandra Snapp  
*Assistant Examiner* — Ieisha Price  
(74) *Attorney, Agent, or Firm* — Hackler Daghighian  
Martino & Novak

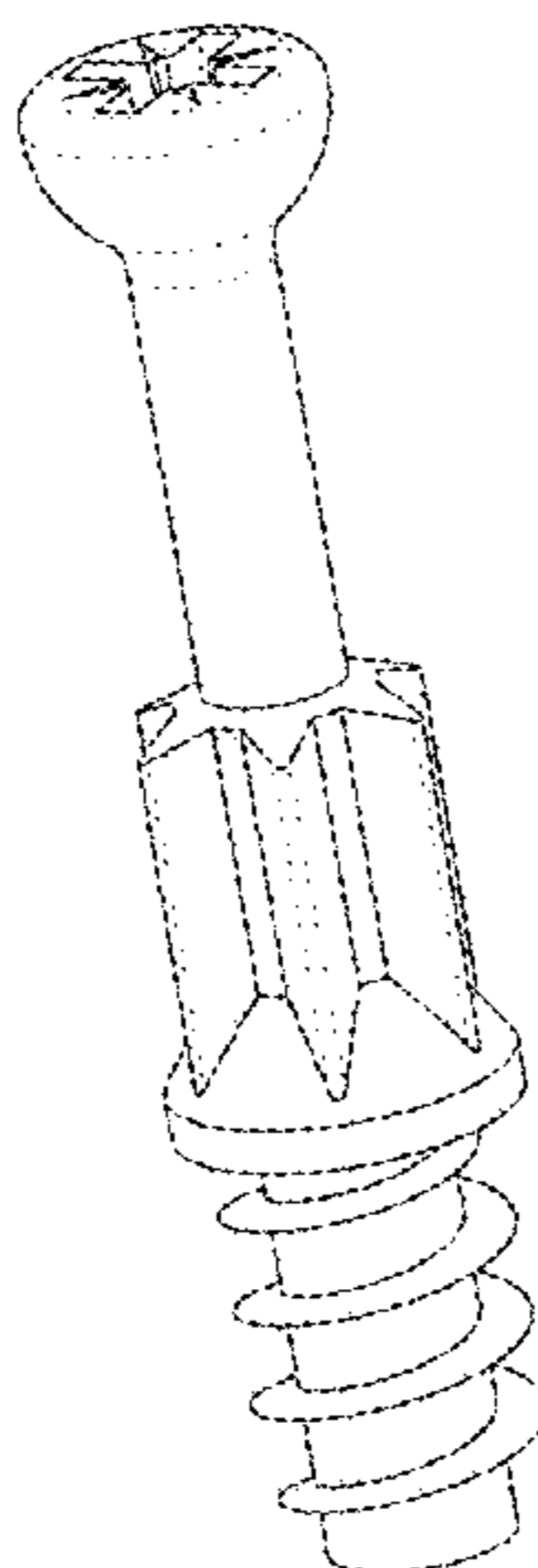
(57) **CLAIM**

The ornamental design for a screw, as shown and described.

**DESCRIPTION**

FIG. 1 is a perspective view of a screw embodying my new design;  
FIG. 2 is a front elevation view thereof;  
FIG. 3 is a rear elevation view thereof;  
FIG. 4 is a left side elevation view thereof;  
FIG. 5 is a right side elevation view thereof;  
FIG. 6 is a top plan view thereof; and,  
FIG. 7 is a bottom plan view thereof.  
The broken lines depict environmental subject matter, are for illustration only and form no part of the claimed design.

**1 Claim, 4 Drawing Sheets**



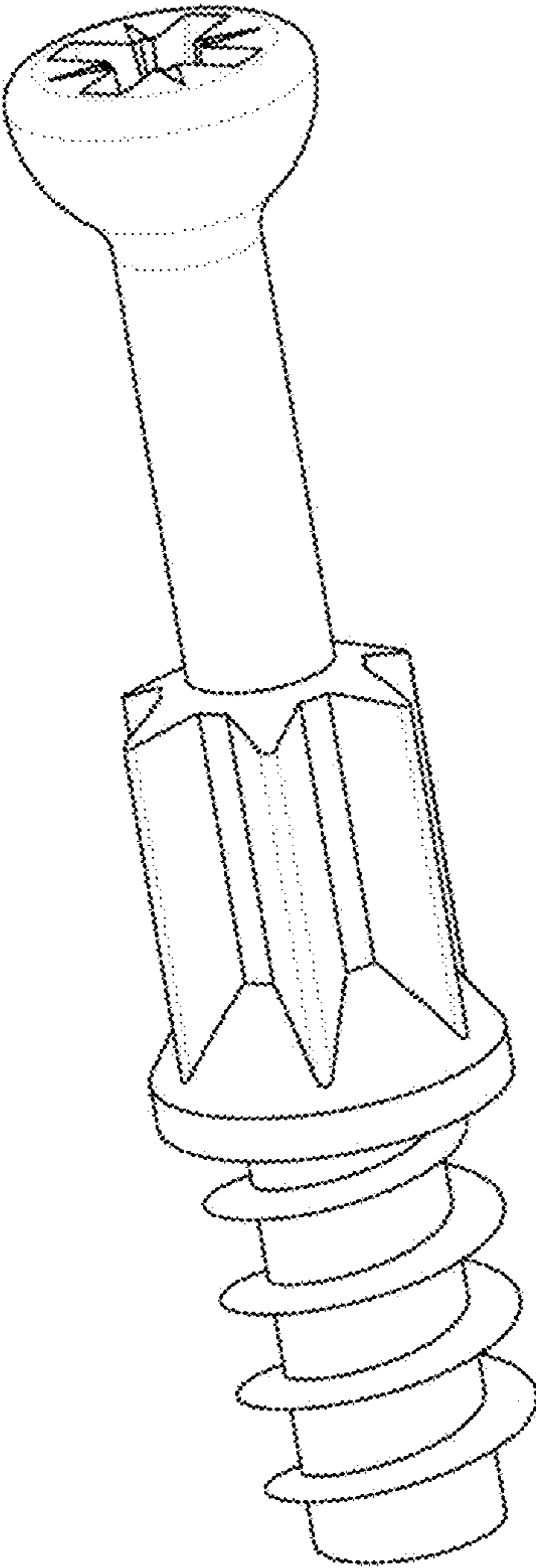


FIG. 1

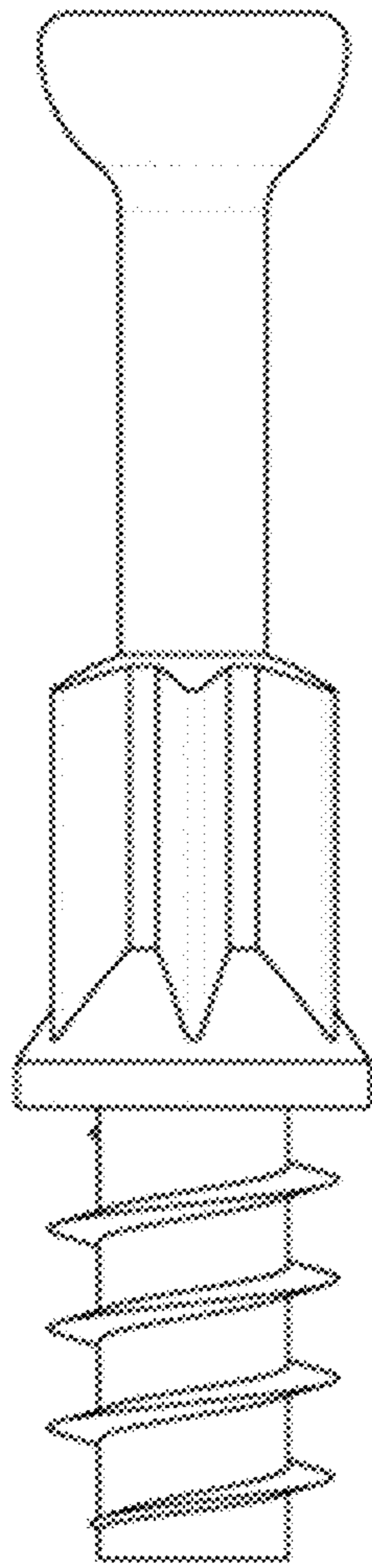


FIG. 2

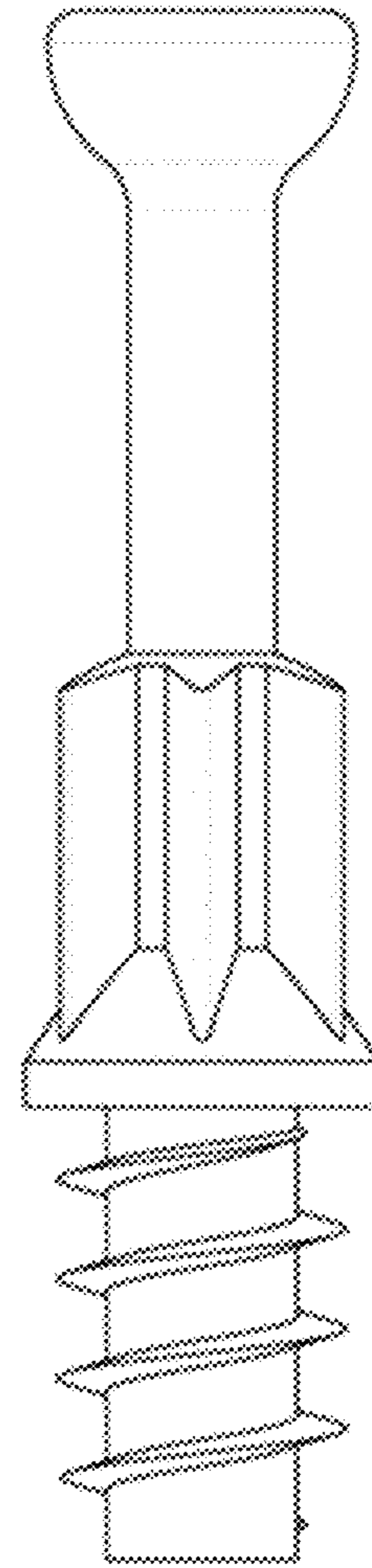


FIG. 3

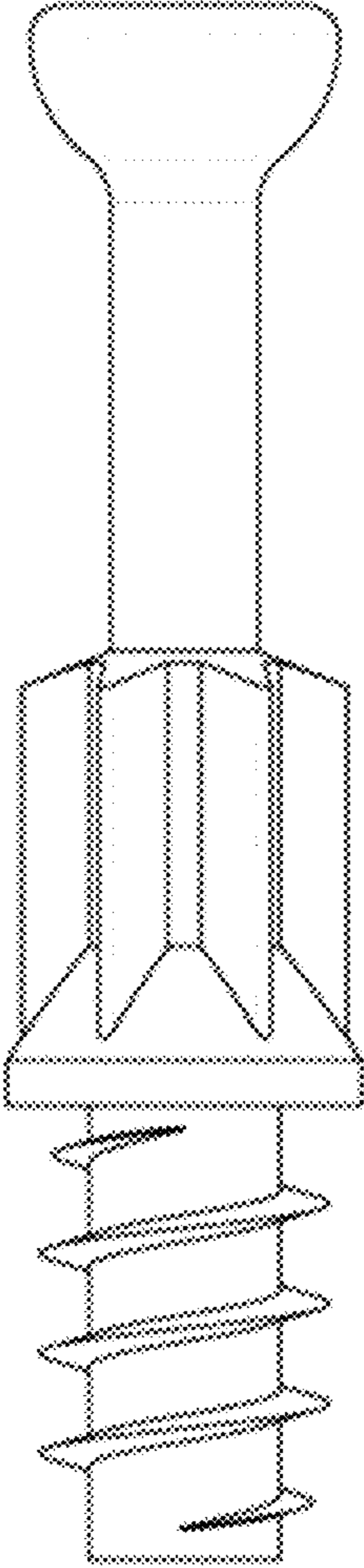


FIG. 4

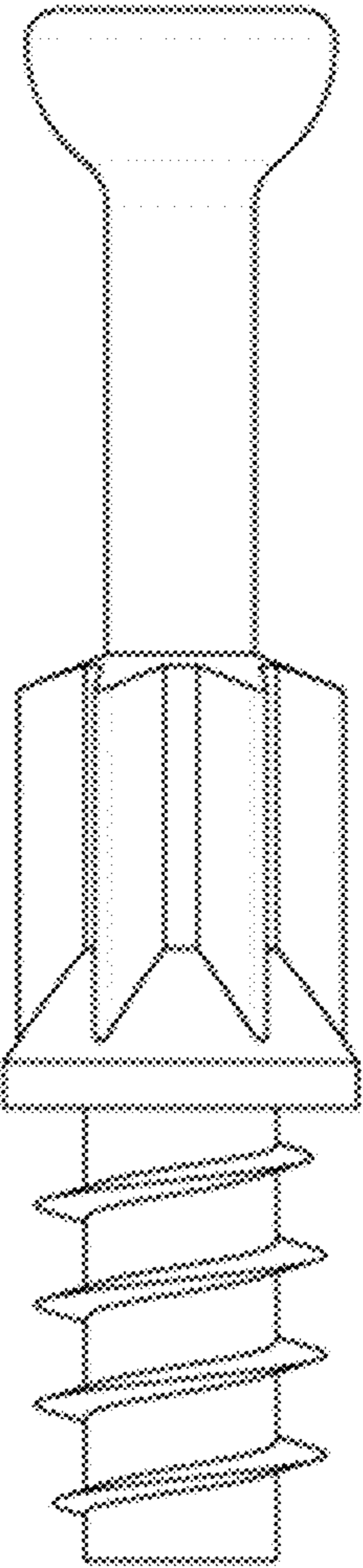


FIG. 5

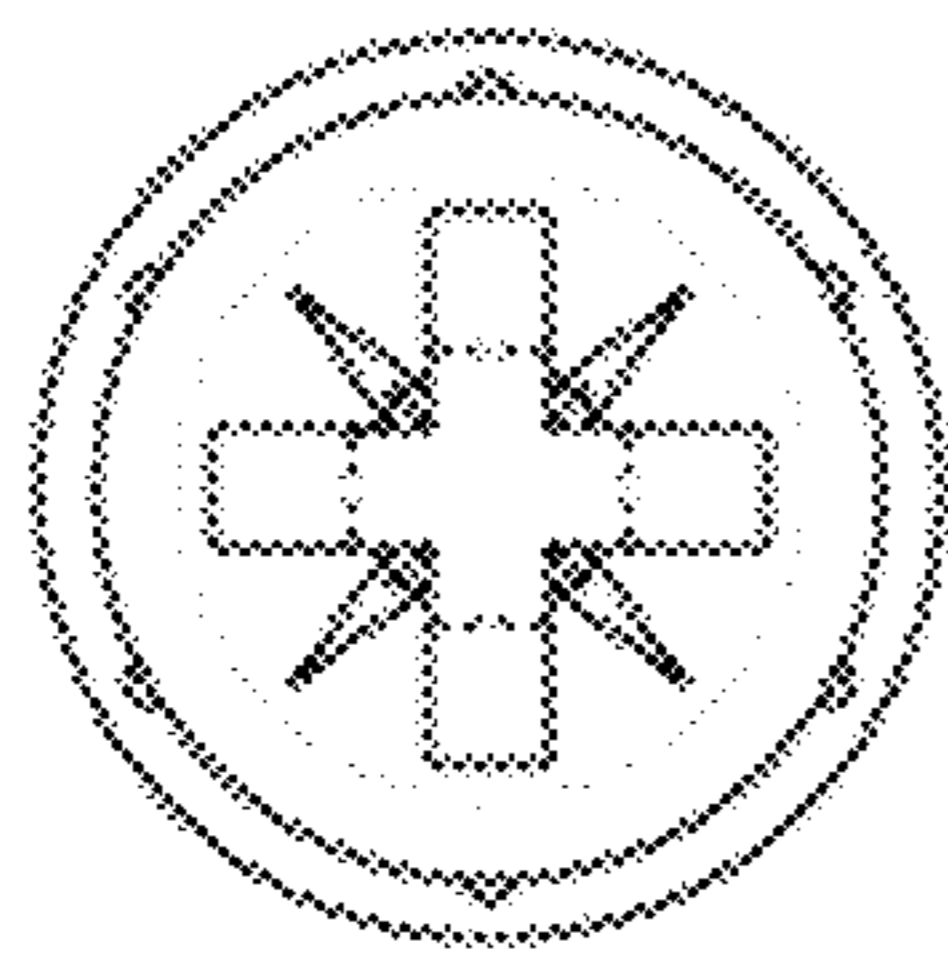


FIG. 6

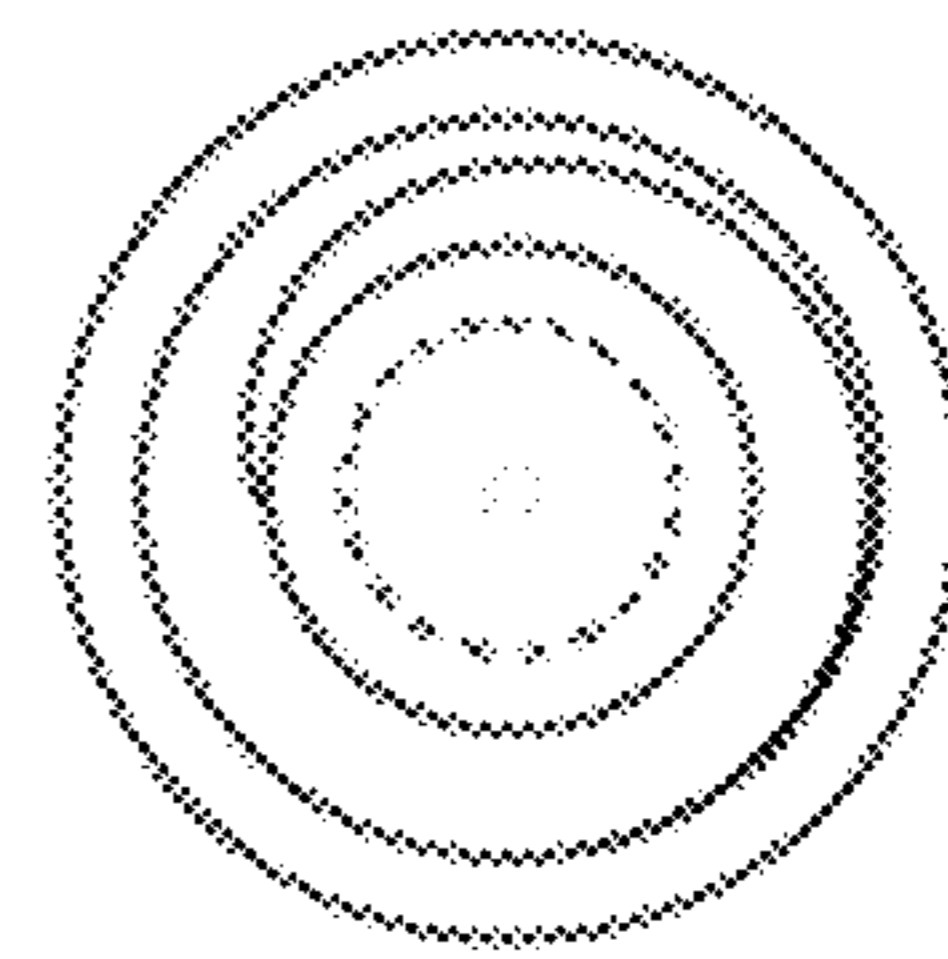


FIG. 7