



US00D799949S

(12) **United States Design Patent**
Stevenson et al.

(10) **Patent No.:** **US D799,949 S**
(45) **Date of Patent:** **** Oct. 17, 2017**

- (54) **FAVORED ANGLE SCREW**
- (71) Applicant: **NuVasive, Inc.**, San Diego, CA (US)
- (72) Inventors: **Tara Stevenson**, La Jolla, CA (US);
Richard Mueller, Chapel Hill, NC (US); **Steven Vanni**, Miami, FL (US)
- (73) Assignee: **NuVasive, Inc.**, San Diego, CA (US)
- (**) Term: **14 Years**
- (21) Appl. No.: **29/508,745**
- (22) Filed: **Nov. 10, 2014**

6,974,460 B2 12/2005 Carbone
 7,163,539 B2 1/2007 Abdelgany
 7,204,853 B2 4/2007 Gordon
 (Continued)

FOREIGN PATENT DOCUMENTS

DE 19950075 A1 4/2001
 DE 102009060396 A1 6/2011
 (Continued)

Primary Examiner — Sandra Snapp
Assistant Examiner — Ieisha Price
 (74) *Attorney, Agent, or Firm* — Jennifer Russell; Jeremy A. Smith; Bradley Arant Boult Cummings

Related U.S. Application Data

- (63) Continuation of application No. 12/739,248, filed as application No. PCT/US2008/081227 on Oct. 24, 2008, now abandoned.
- (51) **LOC (10) Cl.** **08-08**
- (52) **U.S. Cl.**
USPC **D8/387; D24/155**
- (58) **Field of Classification Search**
USPC D8/349, 382, 387, 388, 391, 393, 397,
D8/399, 392, 354; D24/155, 156, 157
CPC A61B 17/704; A61B 17/7037; A61B
17/7038; A61B 17/7044; A61B 17/7049;
A61B 17/7055; A61B 17/8061; A61B
17/7032
See application file for complete search history.

(57) **CLAIM**

The ornamental design for a favored angle screw, substantially as shown and described.

DESCRIPTION

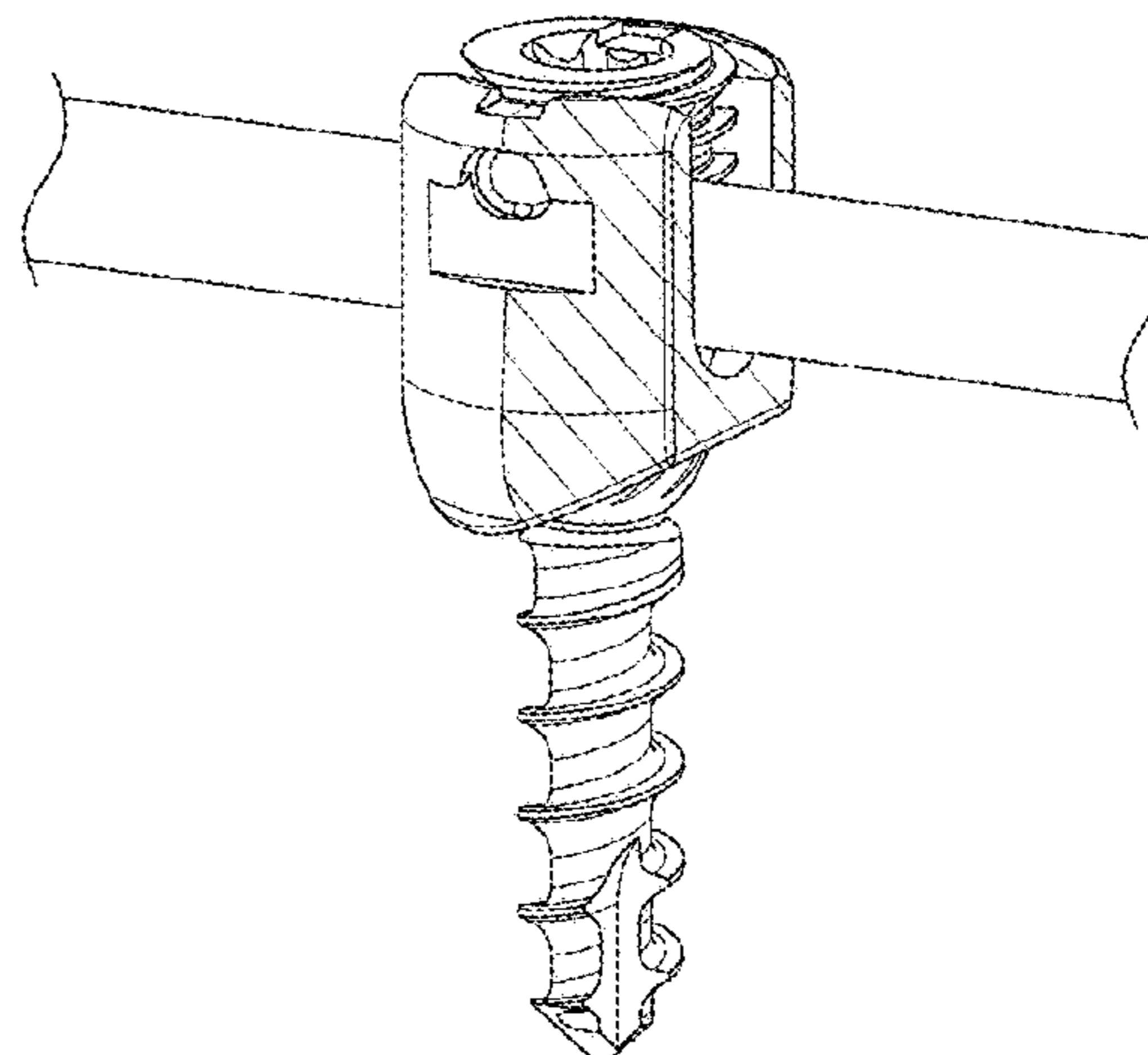
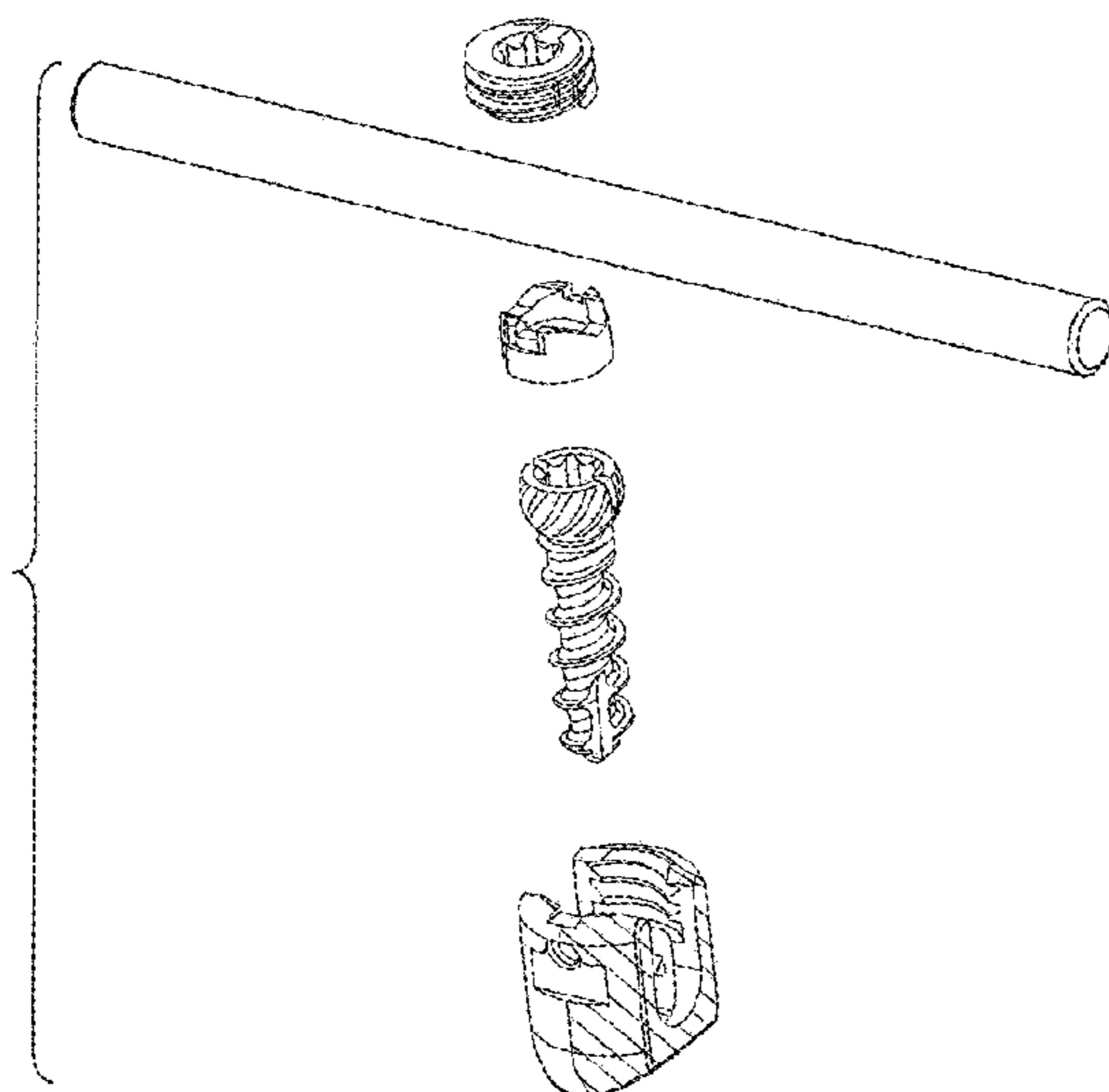
FIG. 1 is an exploded perspective view of the favored angle screw comprised of a set screw, spinal rod, rod conforming screw, threaded screw element and coupling element showing our new design;
 FIG. 2 is an enlarged, partial perspective view of the favored angle screw of FIG. 1, fully assembled and coupled to the spinal rod;
 FIG. 3 is a side view thereof, showing the threaded screw element in an alternate position with the spinal rod removed for ease of illustration;
 FIG. 4 is a second side view thereof, showing the threaded screw element in a second alternate position with the spinal rod removed for ease of illustration;
 FIG. 5 is a perspective view of a coupling element of the favored angle screw of FIG. 1;
 FIG. 6 is a top view of the coupling element of FIG. 5;
 FIG. 7 is a front view of the coupling element of FIG. 5; and,
 FIG. 8 is a side view of the coupling element of FIG. 5.

(56) **References Cited**

U.S. PATENT DOCUMENTS

5,891,145 A 4/1999 Morrison
 6,113,601 A 9/2000 Tatar
 6,187,005 B1 2/2001 Brace
 6,719,759 B2 4/2004 Wagner
 6,736,820 B2 5/2004 Biedermann
 6,755,830 B2 6/2004 Minfelde
 6,837,889 B2 1/2005 Shluzas

1 Claim, 4 Drawing Sheets



(56)

References Cited

U.S. PATENT DOCUMENTS

7,223,268 B2 5/2007 Biedermann
 7,250,052 B2 7/2007 Landry
 7,264,621 B2 9/2007 Coates
 7,377,923 B2 5/2008 Purcell
 7,530,992 B2 5/2009 Biedermann
 7,635,380 B2 12/2009 Zucherman
 7,678,137 B2 3/2010 Butler
 7,727,261 B2 6/2010 Barker
 7,785,354 B2 8/2010 Biedermann
 7,819,902 B2 10/2010 Abdelgany
 7,862,588 B2 1/2011 Abdou
 7,947,065 B2 5/2011 Hammill
 7,955,358 B2 6/2011 Albert
 7,955,364 B2 6/2011 Ziolo
 D642,270 S * 7/2011 McAfee D24/155
 8,002,806 B2 8/2011 Justis
 8,012,177 B2 9/2011 Jackson
 8,021,397 B2 9/2011 Farris
 9,084,634 B1 * 7/2015 Lab A61B 17/7038
 D744,105 S * 11/2015 Voudouris D24/156
 D744,106 S * 11/2015 Voudouris D24/156
 D746,461 S * 12/2015 Butler D24/155
 2003/0100896 A1 5/2003 Biedermann
 2004/0153077 A1 8/2004 Biedermann
 2004/0236330 A1 * 11/2004 Purcell A61B 17/7037
 606/266
 2005/0080415 A1 4/2005 Keyer
 2005/0154391 A1 7/2005 Doherty
 2005/0154393 A1 7/2005 Doherty
 2006/0084978 A1 4/2006 Mokhtar
 2006/0084979 A1 4/2006 Jackson
 2006/0089644 A1 * 4/2006 Felix A61B 17/7037
 606/250
 2007/0213720 A1 9/2007 Gordon
 2007/0233064 A1 * 10/2007 Holt A61B 17/7029
 606/254
 2007/0265621 A1 11/2007 Matthis
 2008/0039844 A1 2/2008 Jackson
 2008/0077143 A1 3/2008 Shluzas
 2008/0132953 A1 6/2008 Carbone

2008/0161853 A1 * 7/2008 Arnold A61B 17/7004
 606/246
 2008/0161859 A1 7/2008 Nilsson
 2008/0177260 A1 7/2008 McKinley
 2008/0208256 A1 8/2008 Thramann
 2009/0005815 A1 1/2009 Ely
 2009/0082812 A1 3/2009 Lewis
 2009/0198280 A1 8/2009 Spratt
 2010/0087862 A1 * 4/2010 Biedermann A61B 17/702
 606/259
 2010/0145394 A1 6/2010 Harvey
 2010/0160977 A1 6/2010 Gephart
 2010/0204735 A1 8/2010 Gephart
 2010/0312288 A1 * 12/2010 Hammill, Sr. A61B 17/7037
 606/305
 2011/0066189 A2 3/2011 Biedermann
 2011/0087288 A1 4/2011 Stevenson
 2011/0106180 A1 * 5/2011 Miller A61B 17/7032
 606/308
 2011/0125195 A1 5/2011 Biedermann
 2011/0257690 A1 * 10/2011 Rezach A61B 17/7037
 606/302
 2011/0282399 A1 * 11/2011 Jackson A61B 17/702
 606/305
 2012/0310284 A1 * 12/2012 Gerchow A61B 17/7037
 606/264
 2013/0096618 A1 * 4/2013 Chandanson A61B 17/7001
 606/278
 2013/0131734 A1 * 5/2013 Longtain A61B 17/7037
 606/305
 2013/0345754 A1 * 12/2013 Doubler A61B 17/7037
 606/266
 2015/0112390 A1 * 4/2015 Fang A61B 17/7037
 606/266
 2015/0230829 A1 * 8/2015 Harris A61B 17/7037
 606/270

FOREIGN PATENT DOCUMENTS

JP 2007275592 A 10/2007
 WO WO-2009012247 1/2009

* cited by examiner

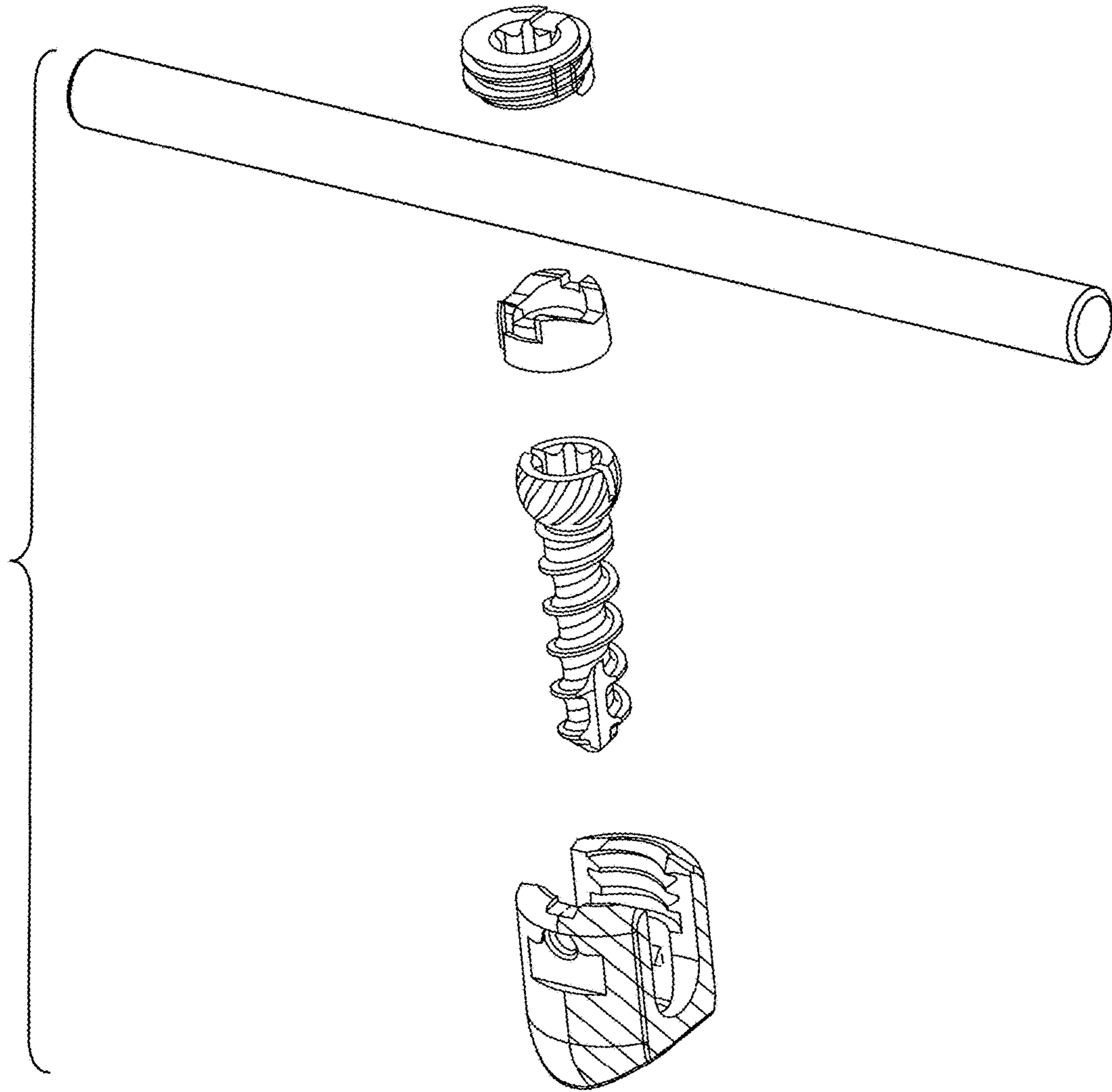


FIG. 1

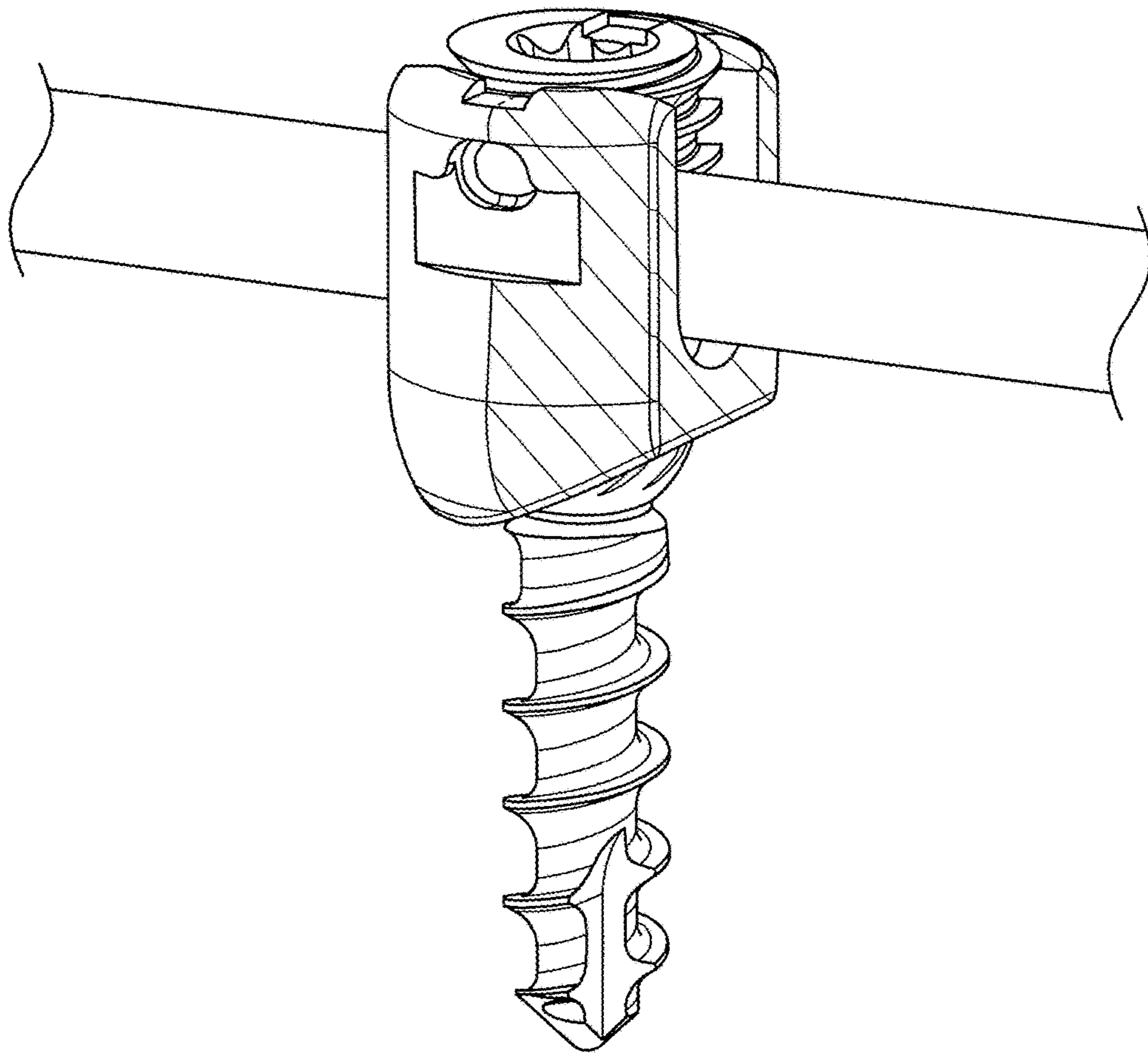


FIG. 2

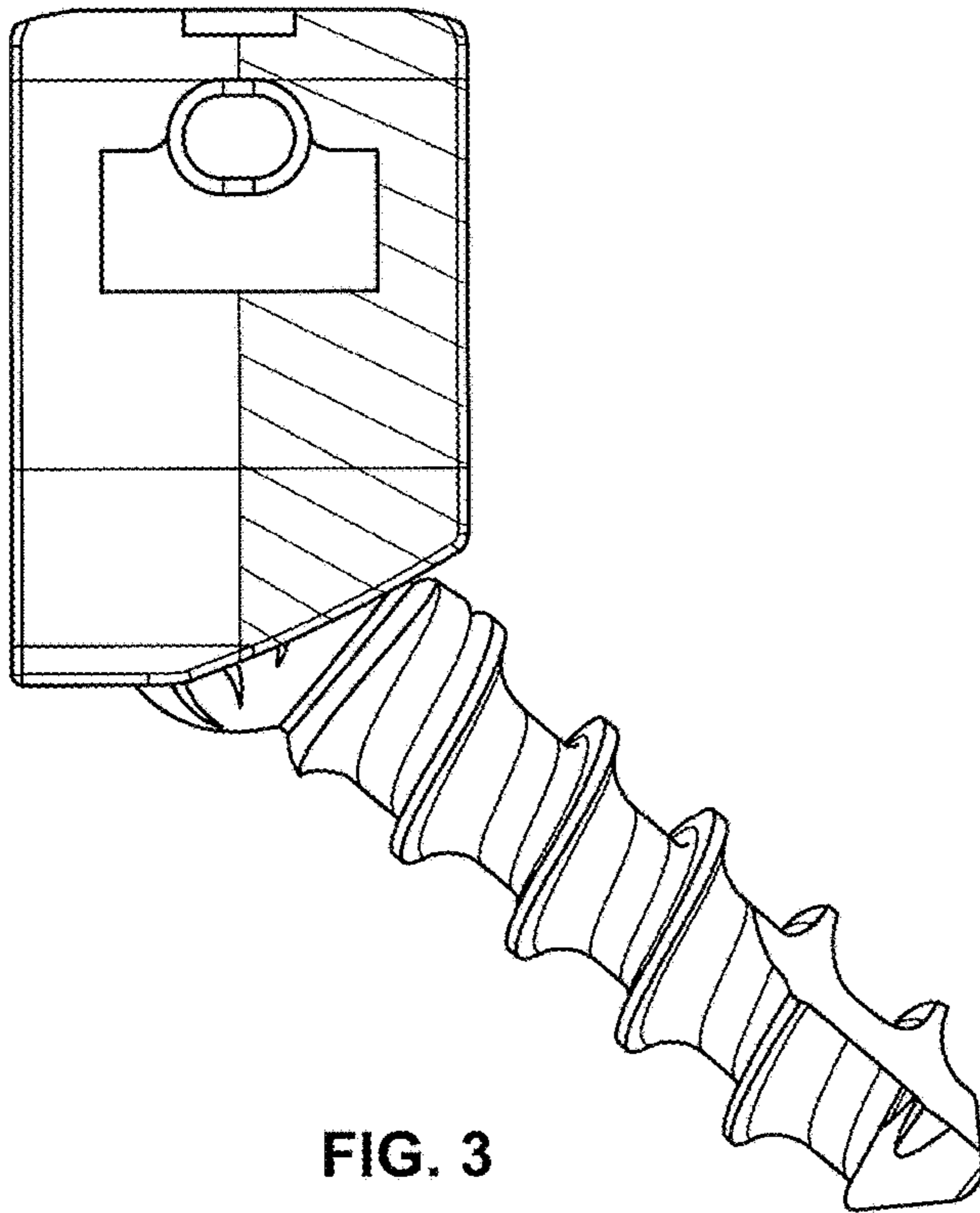


FIG. 3

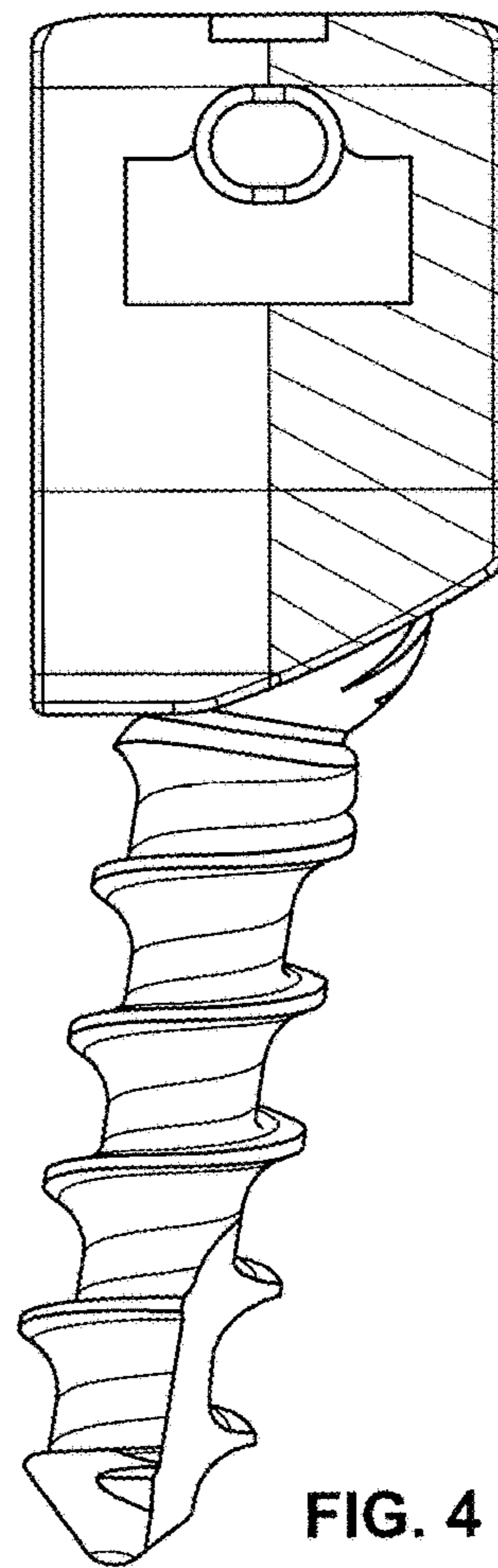


FIG. 4

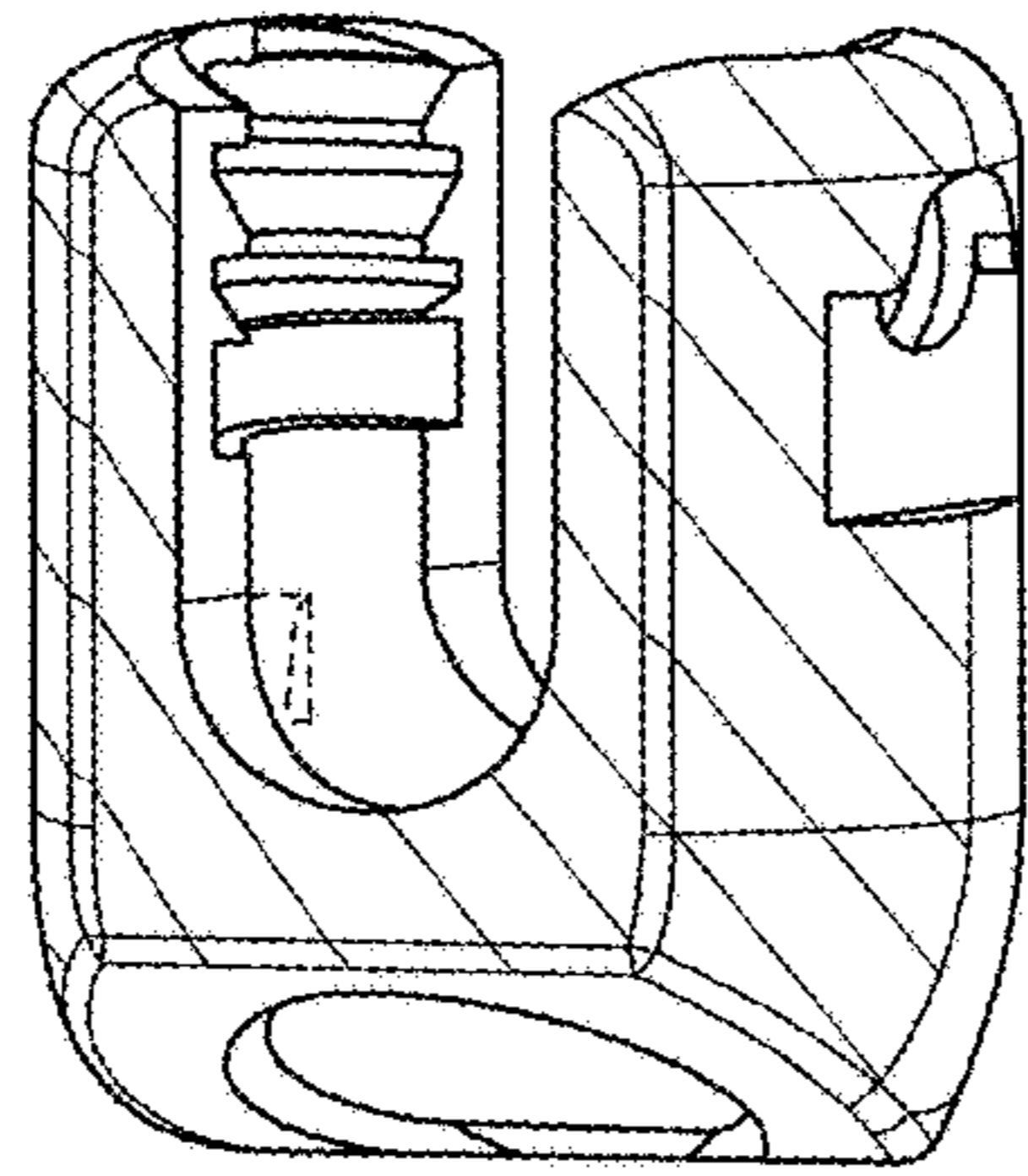


FIG. 5

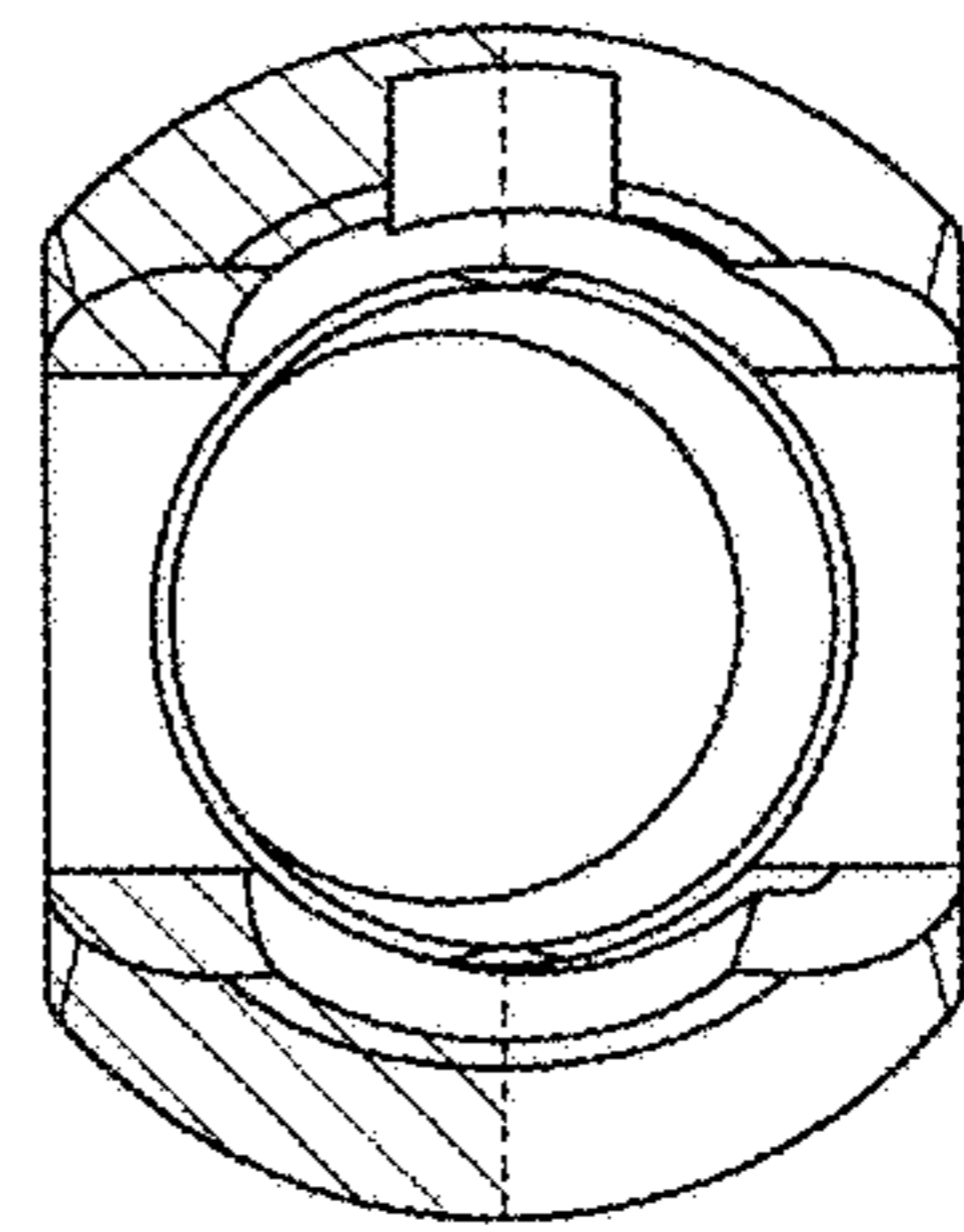


FIG. 6

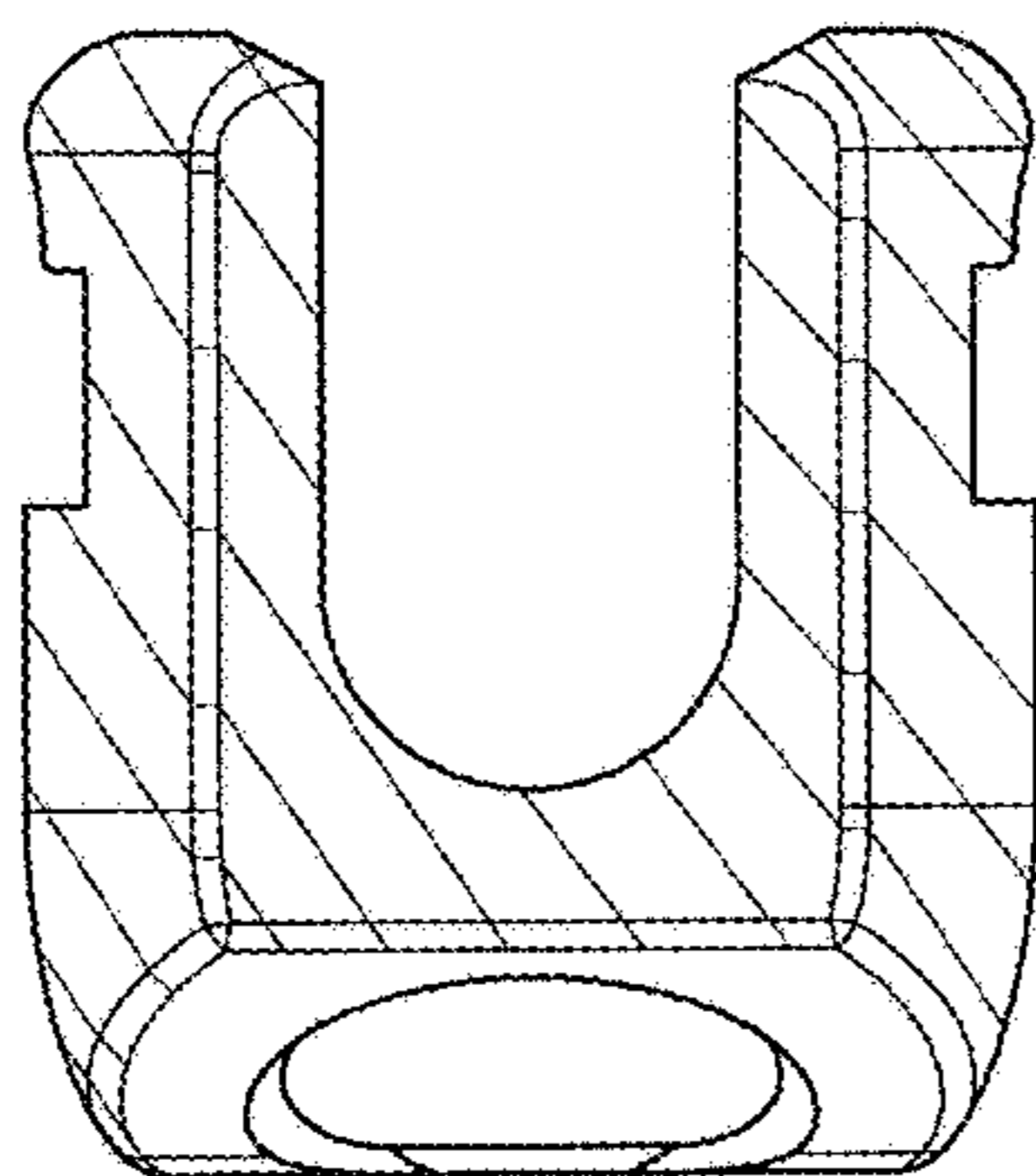


FIG. 7

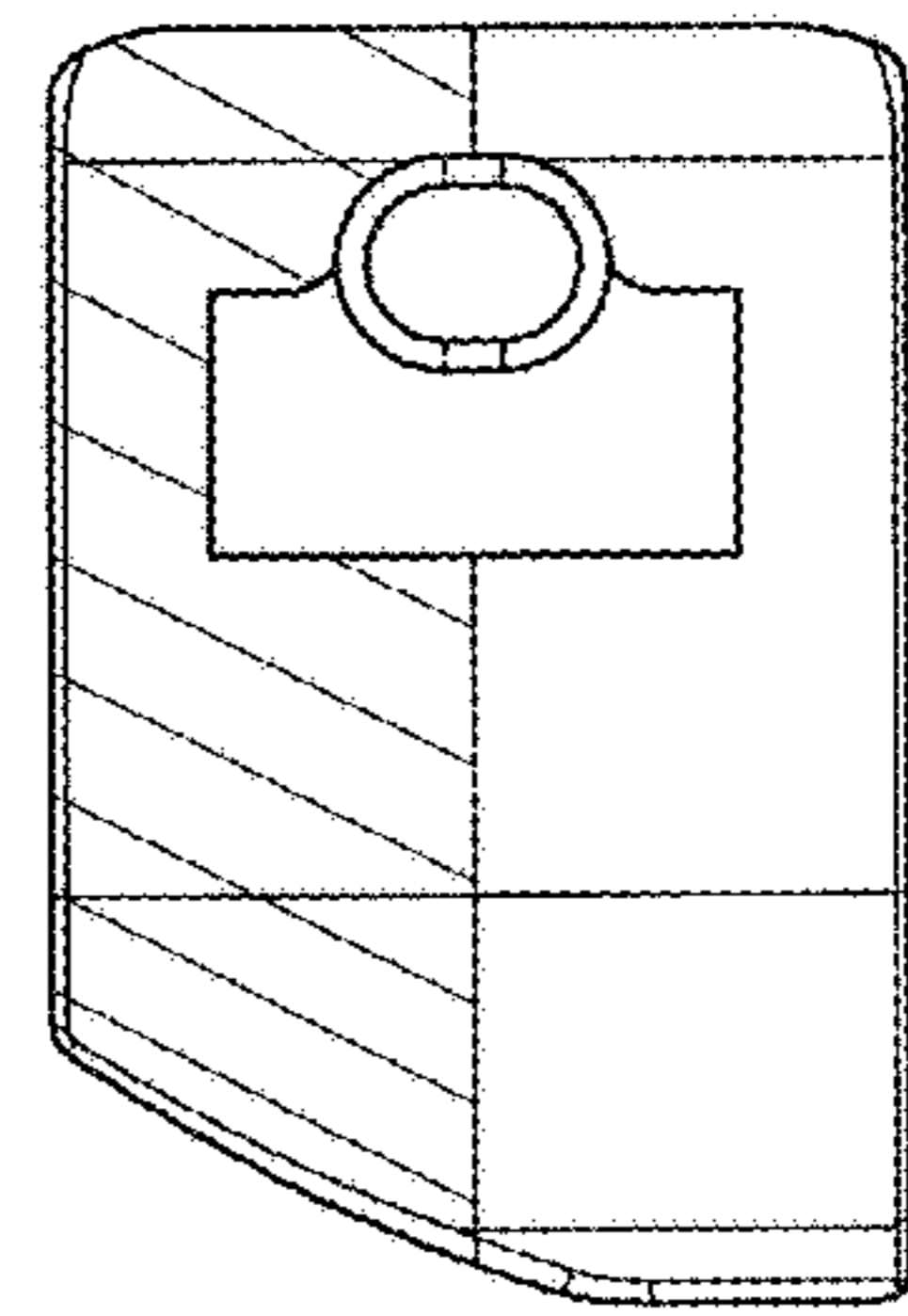


FIG. 8