

US00D799948S

(12) **United States Design Patent**
Karol et al.

(10) **Patent No.:** **US D799,948 S**
(45) **Date of Patent:** **** Oct. 17, 2017**

- (54) **GRASPER CLAW**
- (71) Applicant: **DEKA Products Limited Partnership**,
Manchester, NH (US)
- (72) Inventors: **Daniel Scott Karol**, Southborough, MA
(US); **Jason Michael Overson**,
Manchester, NH (US); **David Evan
Collins**, Merrimac, MA (US); **Nick Von
Bargen**, Liberty Township, OH (US)
- (73) Assignee: **DEKA Products Limited Partnership**,
Manchester, NH (US)

(**) Term: **15 Years**

(21) Appl. No.: **29/553,521**

(22) Filed: **Feb. 2, 2016**

(51) **LOC (10) Cl.** **08-05**

(52) **U.S. Cl.**
USPC **D8/380**

(58) **Field of Classification Search**
USPC D8/71, 349, 380, 499; 81/58.4, 60-63.2,
81/120; 192/41 R-46
CPC A63H 33/042; A63H 33/062; Y10T
16/5472; Y10T 403/7016; Y10T
403/7039; Y10T 403/32418; Y10T
403/7045
See application file for complete search history.

(56) **References Cited**

U.S. PATENT DOCUMENTS

- 2,831,384 A * 4/1958 Weiss B25B 13/467
81/57.13
- 4,524,652 A * 6/1985 Wenzel B25B 13/465
81/177.85
- 4,819,521 A * 4/1989 Lang B25B 23/16
81/177.1
- 4,873,899 A * 10/1989 Mazurek B25B 13/463
81/124.2
- D373,077 S * 8/1996 Dudley D8/499

- 5,582,488 A * 12/1996 Dudley A63H 33/042
16/367
- D378,339 S * 3/1997 Whitley D8/25
- 5,626,062 A * 5/1997 Colvin B25B 13/06
81/177.85
- 6,101,902 A * 8/2000 Wei B25B 13/463
81/177.1
- D451,526 S * 12/2001 Lee D15/148
- D491,428 S * 6/2004 Barnett D8/25
- 2001/0037925 A1 * 11/2001 Becker B60N 2/224
192/43.1
- 2006/0053922 A1 * 3/2006 Laabs F16H 57/0431
74/467

(Continued)

OTHER PUBLICATIONS

Claw Kit—Vex Robotics, <http://www.vexrobotics.com/276-2212.html>, Innovation First International, Inc., Copyright (c) 2002-2016.

Primary Examiner — George D Kirschbaum

Assistant Examiner — Maria Edwards

(74) *Attorney, Agent, or Firm* — Kathleen Chapman

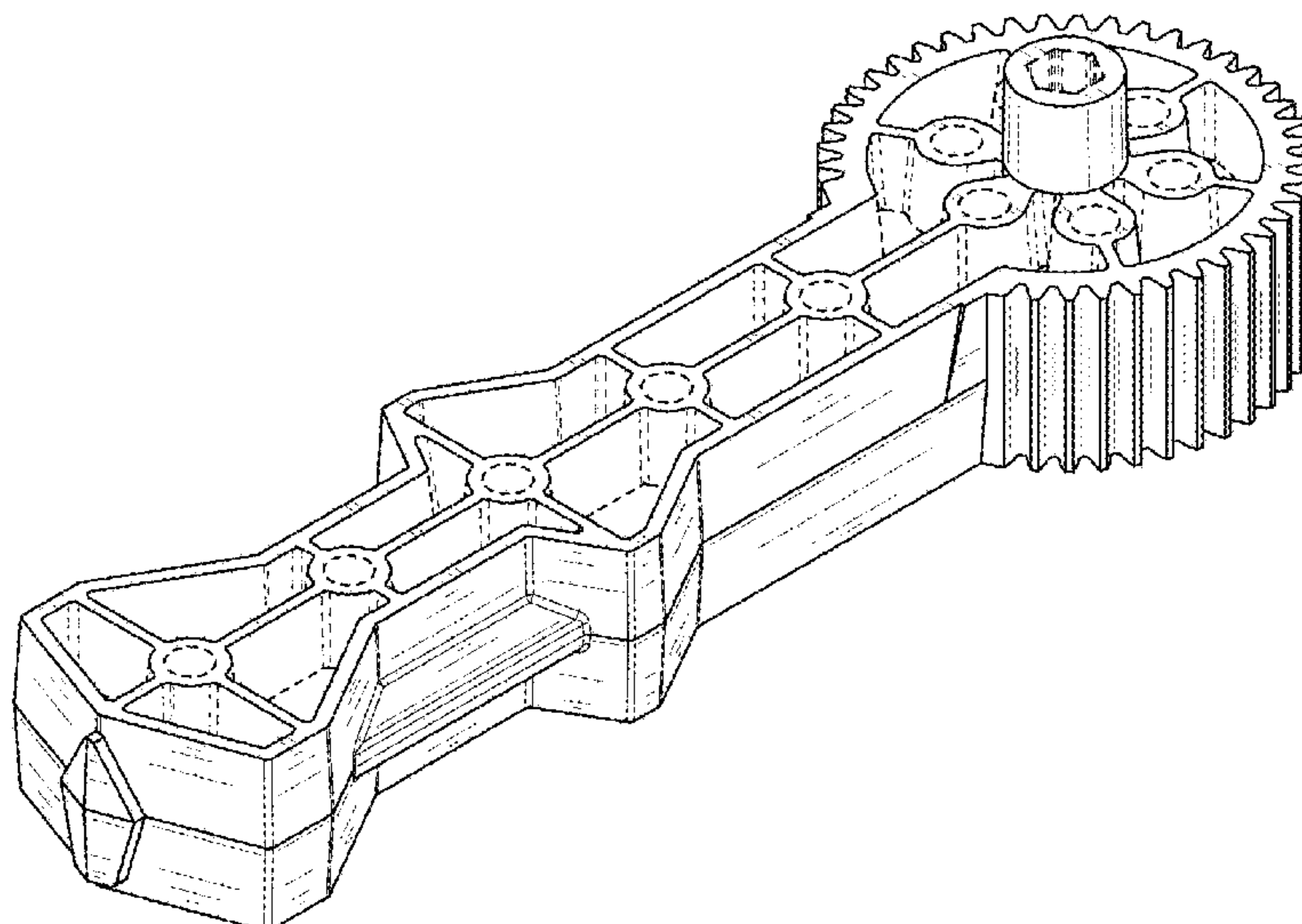
(57) **CLAIM**

The ornamental design for a grasper claw, as shown and described.

DESCRIPTION

FIG. 1 is a front, top, right side perspective view of the grasper claw, showing our new design; FIG. 2 a front side elevational view thereof; FIG. 3 a rear side elevational view thereof; FIG. 4 is a right side elevational view thereof; FIG. 5 is a left side elevational view thereof; FIG. 6 is a top plan view thereof; and, FIG. 7 is a bottom plan view thereof. The ornamental design which is claimed is shown in solid lines in the drawings. Any broken lines in the drawings are for illustrative purposes only and form no part of the claimed design.

1 Claim, 5 Drawing Sheets



(56)

References Cited

U.S. PATENT DOCUMENTS

2006/0060032 A1* 3/2006 Baker B25B 21/004
81/57.39
2007/0000357 A1* 1/2007 Hsieh B25B 13/463
81/63.2
2015/0082949 A1* 3/2015 MacDonald B25B 13/08
81/63.1

* cited by examiner

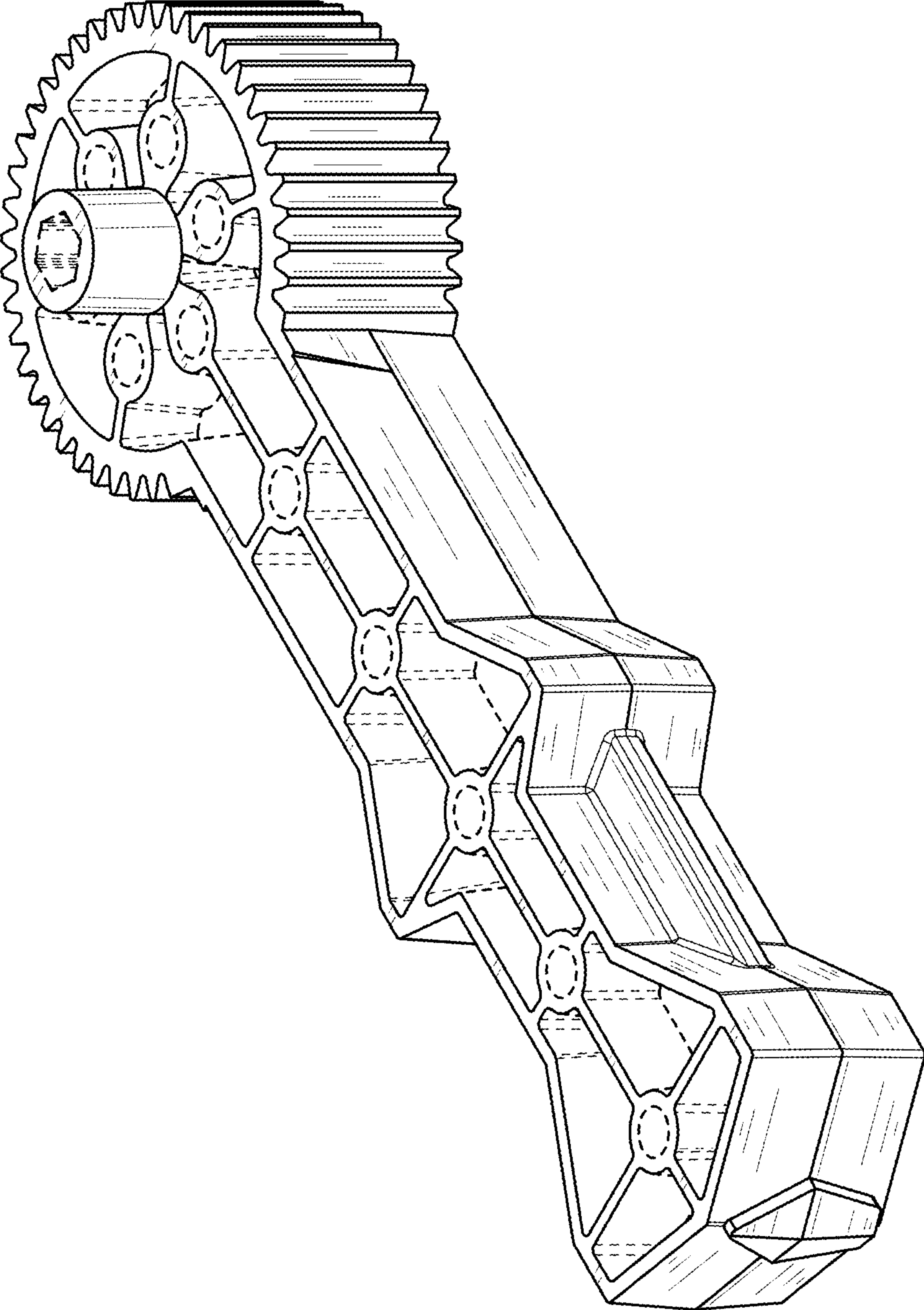


FIG. 1

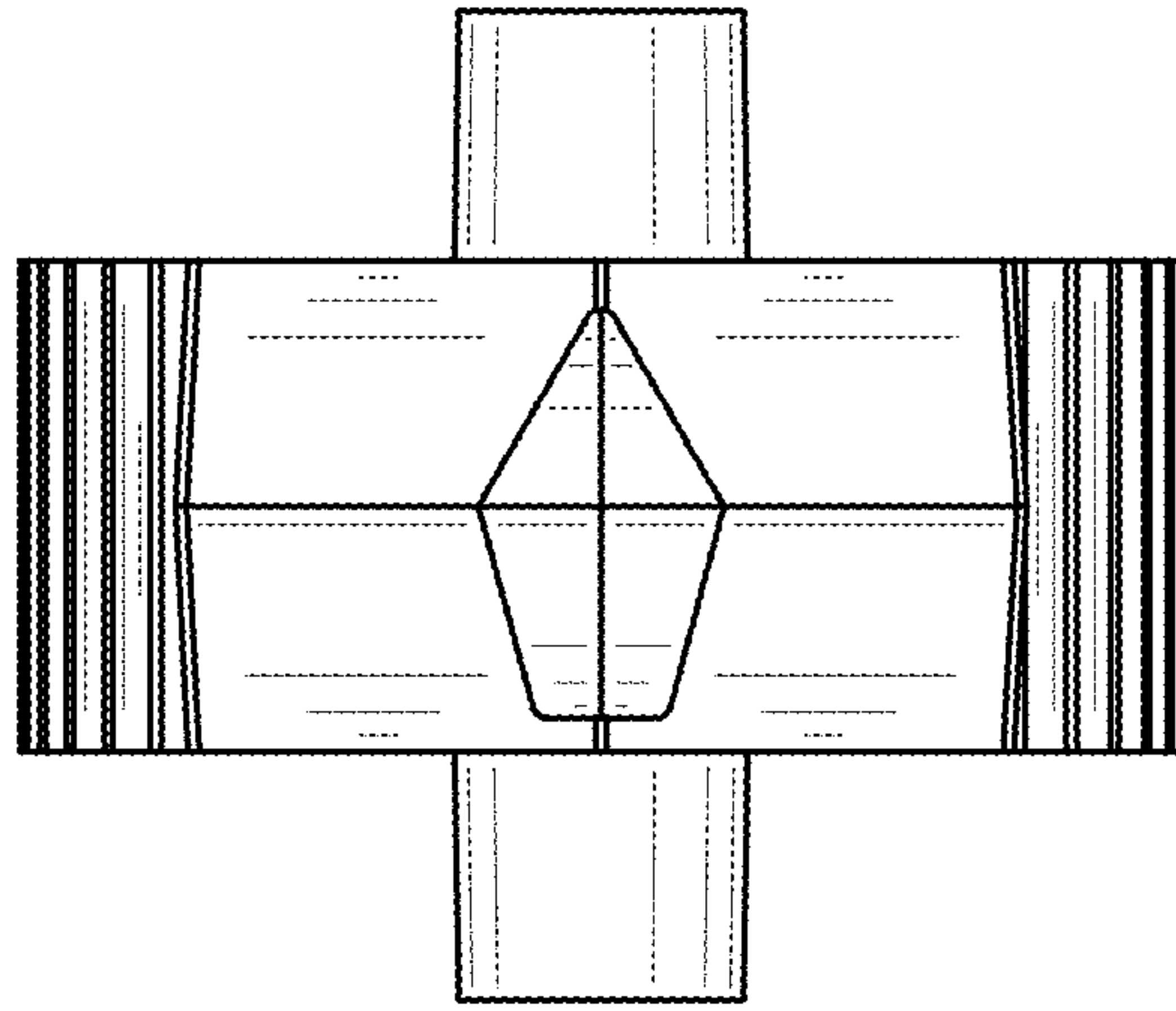


FIG. 2

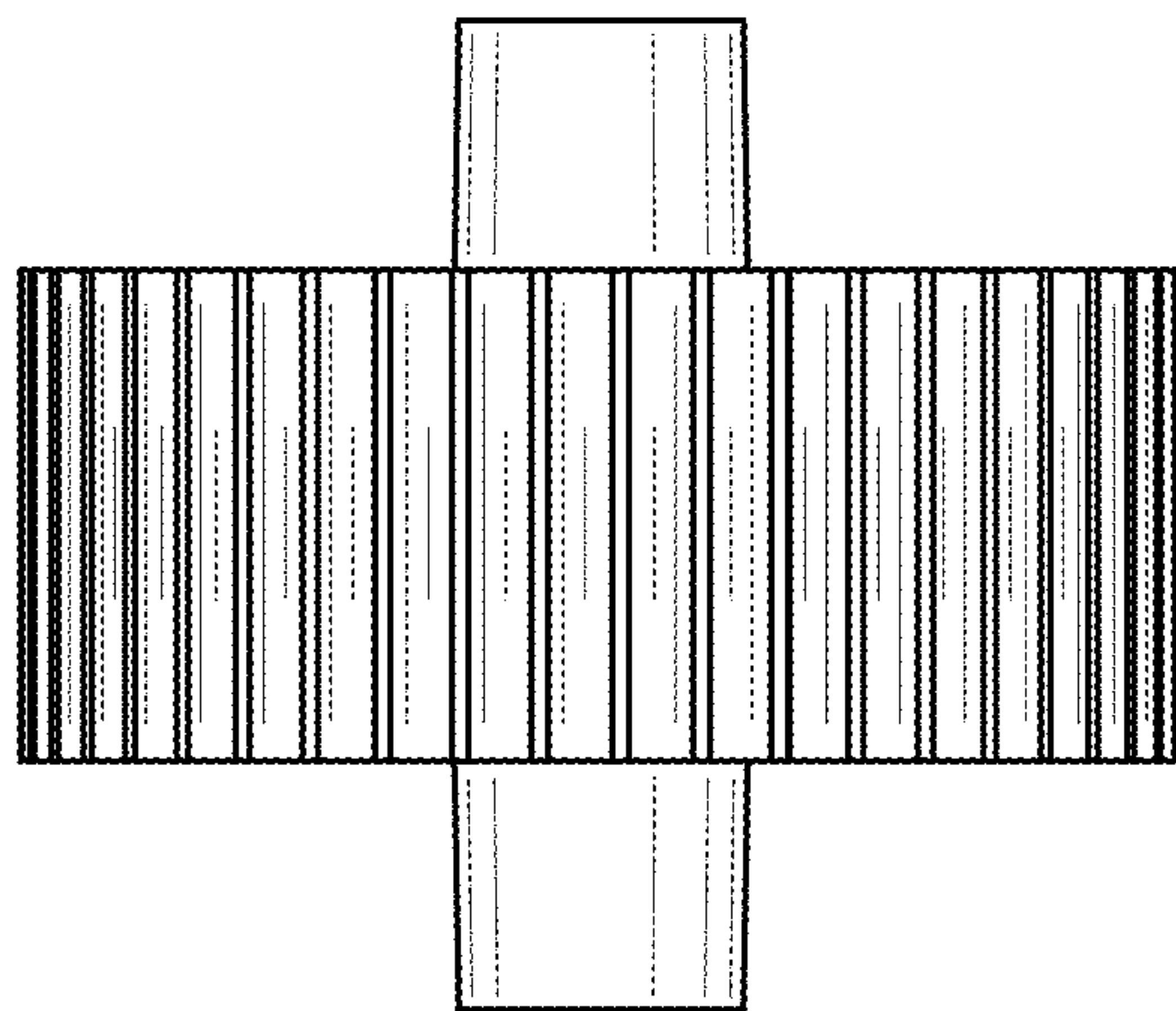


FIG. 3

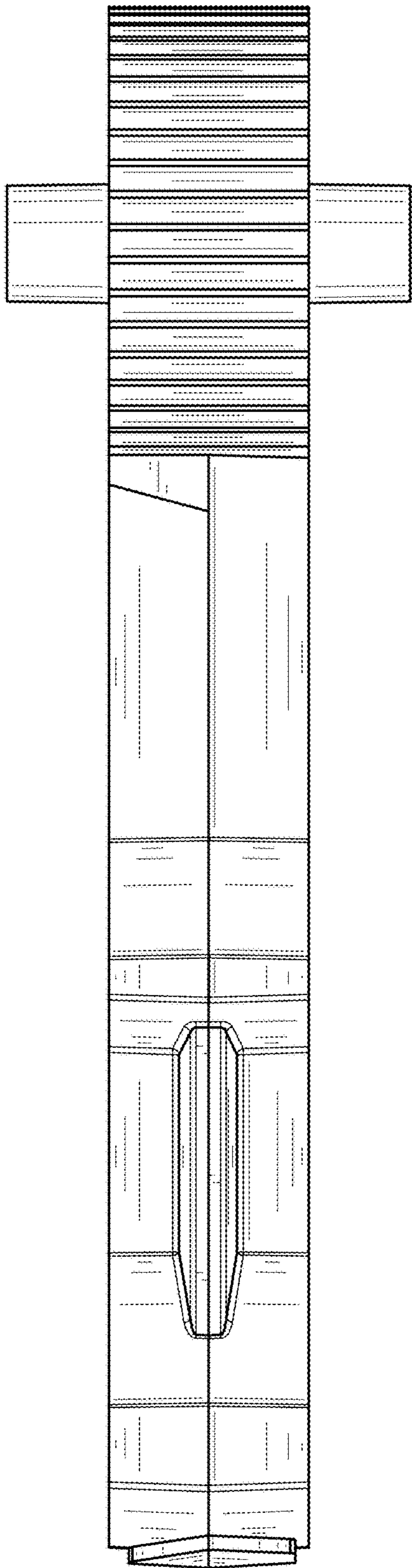


FIG. 4

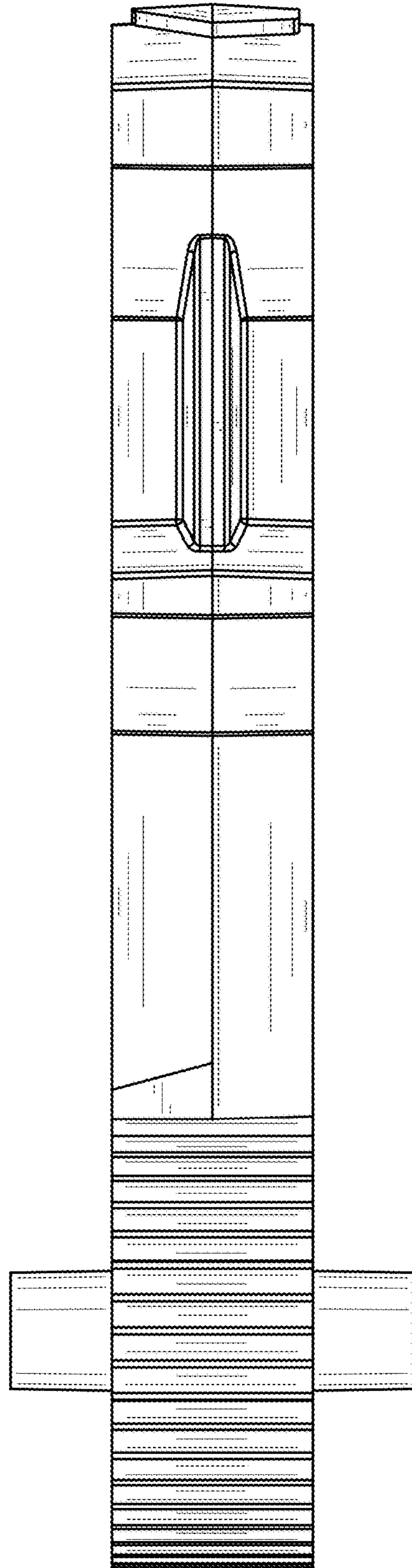


FIG. 5

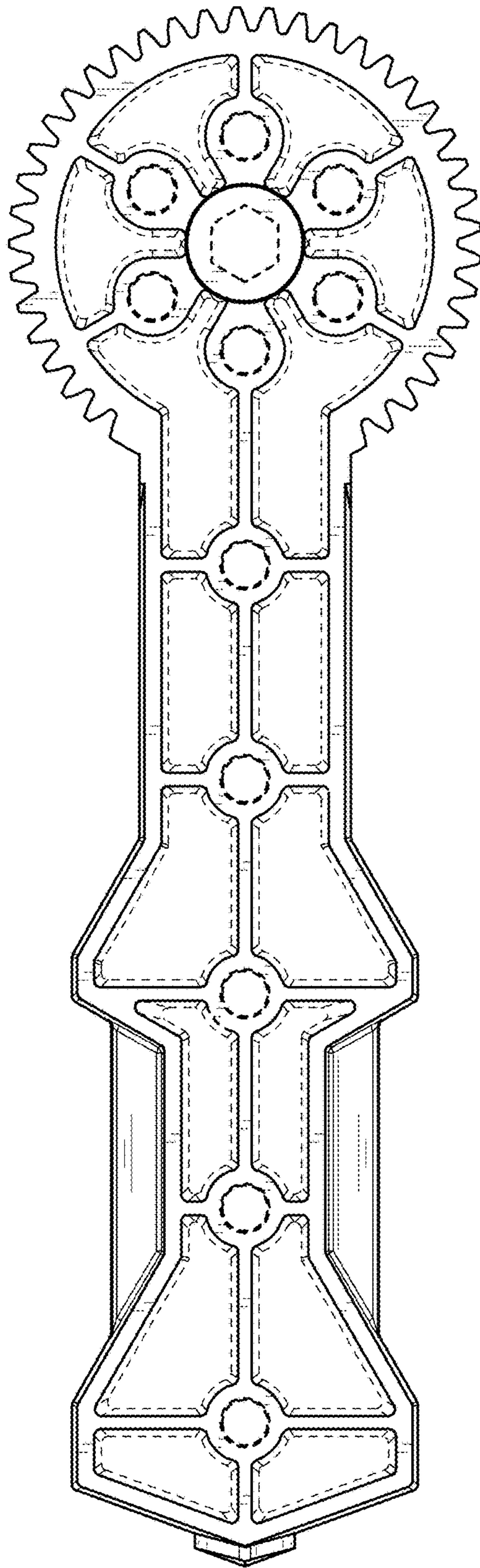


FIG. 6

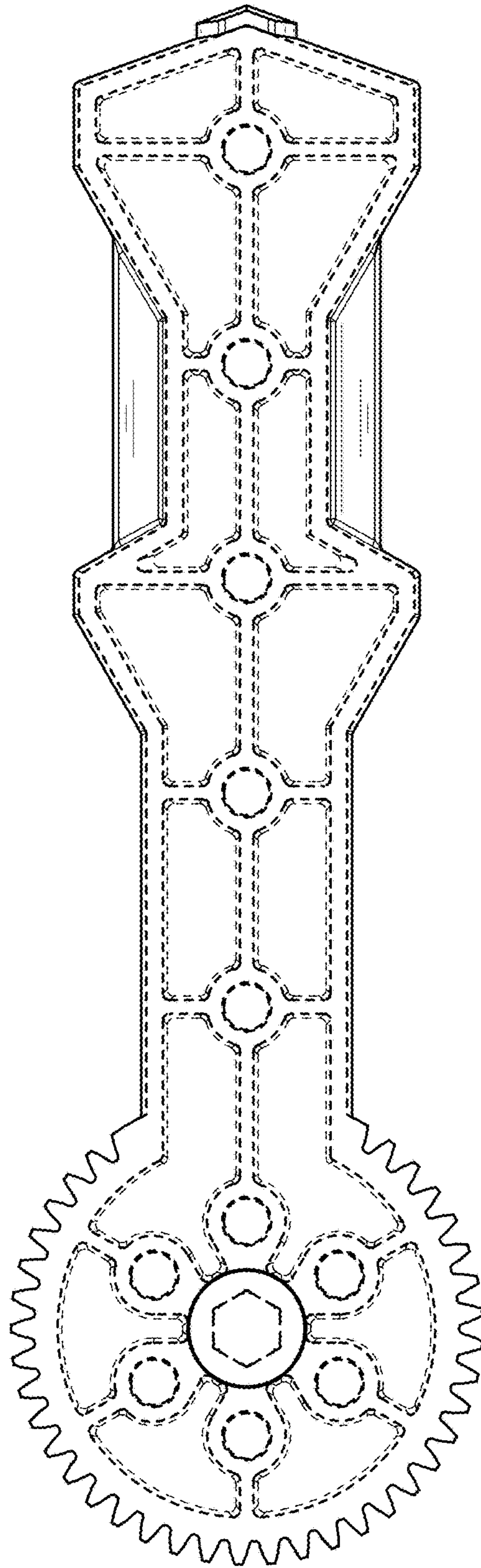


FIG. 7