



US00D799947S

(12) **United States Design Patent** (10) **Patent No.:** **US D799,947 S**  
**Sotto** (45) **Date of Patent:** **\*\* Oct. 17, 2017**

(54) **CURTAIN ROD FINIAL**  
(71) Applicant: **UNIQUE FINE FABRICS IMPORT INC., Woodbridge (CA)**  
(72) Inventor: **Christopher Sotto, Toronto (CA)**  
(73) Assignee: **UNIQUE FINE FABRICS IMPORT INC., Woodbridge (CA)**  
(\*\*) Term: **15 Years**  
(21) Appl. No.: **29/594,222**  
(22) Filed: **Feb. 16, 2017**

D463,007 S 9/2002 Lord  
D464,710 S 10/2002 Lord  
D490,696 S \* 6/2004 Calig ..... D8/378  
D492,582 S 7/2004 Graves  
D504,059 S 4/2005 File et al.  
D504,608 S \* 5/2005 File ..... D8/378  
D505,860 S 6/2005 Graves et al.  
D516,902 S 3/2006 Harwanko  
D517,903 S 3/2006 Zoroufy  
D551,591 S 9/2007 Wesorick  
D603,482 S \* 11/2009 Tippens ..... D23/257  
D626,189 S 10/2010 Lin  
D656,829 S 4/2012 Watabe  
D707,544 S 6/2014 Varlamoff  
D725,204 S 3/2015 Rub

(Continued)

**Related U.S. Application Data**

(62) Division of application No. 29/508,985, filed on Nov. 13, 2014, now Pat. No. Des. 789,777.  
(51) **LOC (10) Cl.** ..... **08-08**  
(52) **U.S. Cl.**  
USPC ..... **D8/373**  
(58) **Field of Classification Search**  
USPC ..... D8/380, 373, 376, 307, 352, 378, 310;  
D23/250, 238, 407; D26/154; 248/262,  
248/261, 264, 251  
CPC ..... A47H 1/00; A47H 2001/006  
See application file for complete search history.

**OTHER PUBLICATIONS**

Office Action dated Jan. 11, 2017 in respect of Design U.S. Appl. No. 29/508,985.

*Primary Examiner* — Lakiya Rogers  
*Assistant Examiner* — Harold E Blackwell, II  
(74) *Attorney, Agent, or Firm* — Bereskin & Parr LLP/S.E.N.C.R.L., s.r.l.

(56) **References Cited**

**U.S. PATENT DOCUMENTS**

D73,182 S 8/1927 Kasch  
D107,066 S 11/1937 Cavignac  
D230,948 S 3/1974 Moon  
D233,907 S 12/1974 Michaeli  
D306,552 S 3/1990 Paul  
D375,345 S 11/1996 Warshawsky  
D377,516 S 1/1997 Doughty et al.  
D404,292 S 1/1999 Weber  
D434,325 S 11/2000 Jivago

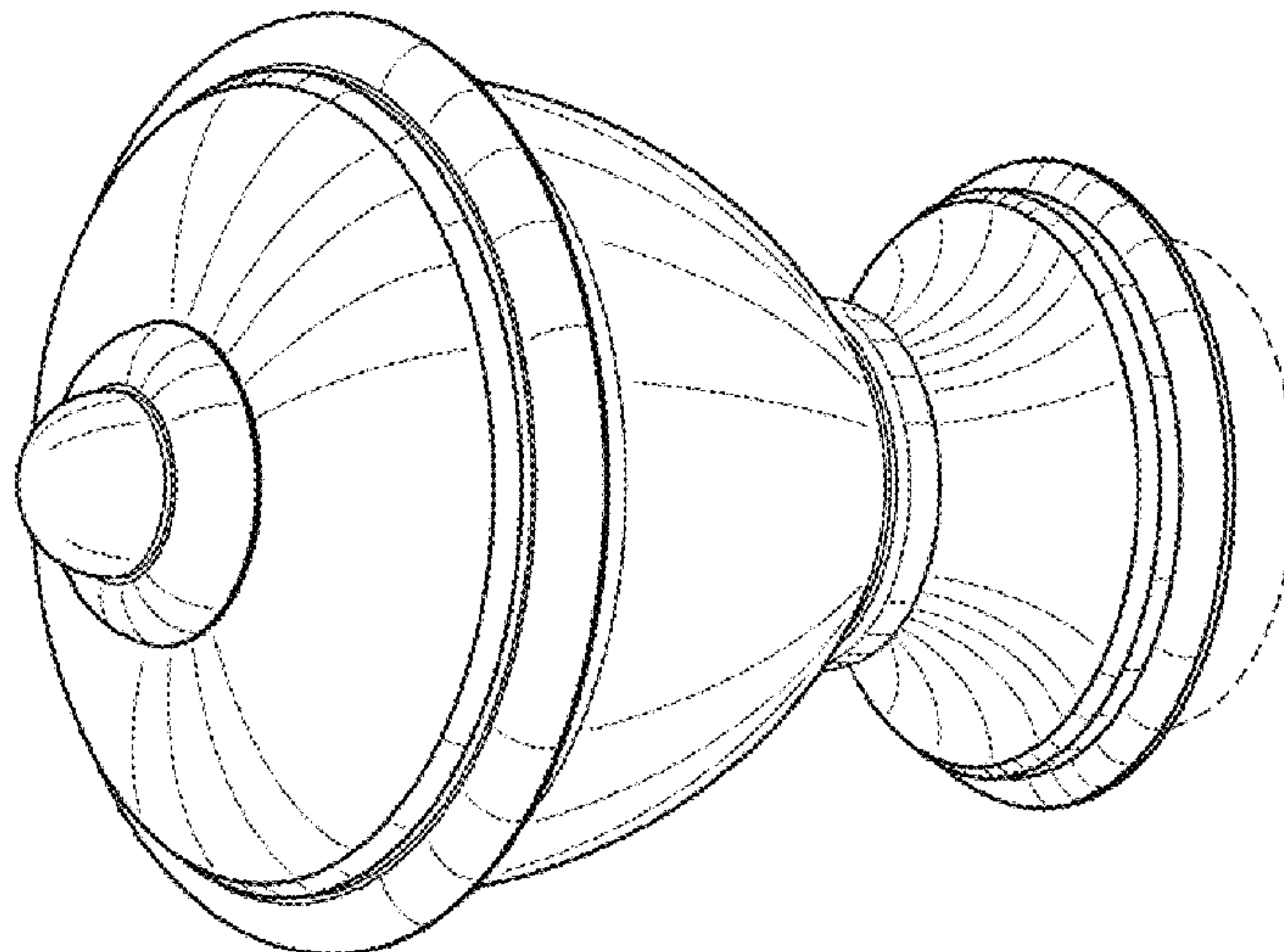
(57) **CLAIM**

The ornamental design for a curtain rod finial, as shown and described.

**DESCRIPTION**

FIG. 1 is a side perspective view of a curtain rod finial; FIG. 2 is a first end view of the curtain rod finial of FIG. 1; FIG. 3 is a side view of the curtain rod finial of FIG. 1; and, FIG. 4 is a second end view of the curtain rod finial of FIG. 1.  
The broken lines in the drawings illustrate portions of a curtain rod finial which form no part of the claimed design.

**1 Claim, 1 Drawing Sheet**



(56)

**References Cited**

U.S. PATENT DOCUMENTS

D733,563	S	7/2015	Oberlender
D768,031	S	10/2016	Pellham
D789,777	S	6/2017	Sotto
2003/0010880	A1	1/2003	Lee
2004/0179376	A1	9/2004	Chan et al.
2007/0163185	A1	7/2007	Morley et al.
2009/0046461	A1	2/2009	Fan
2011/0241555	A1	10/2011	Lin

\* cited by examiner

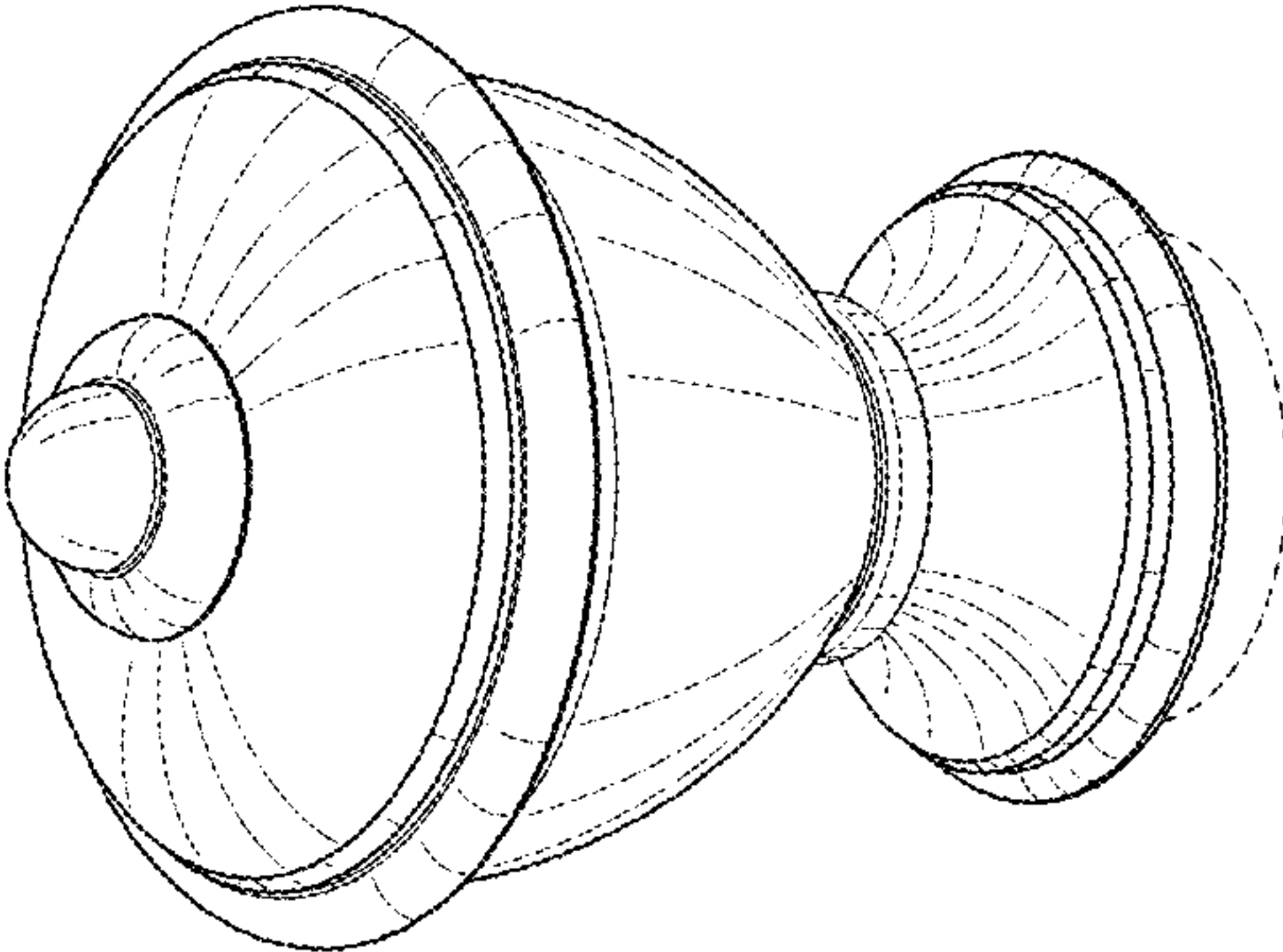


FIG. 1

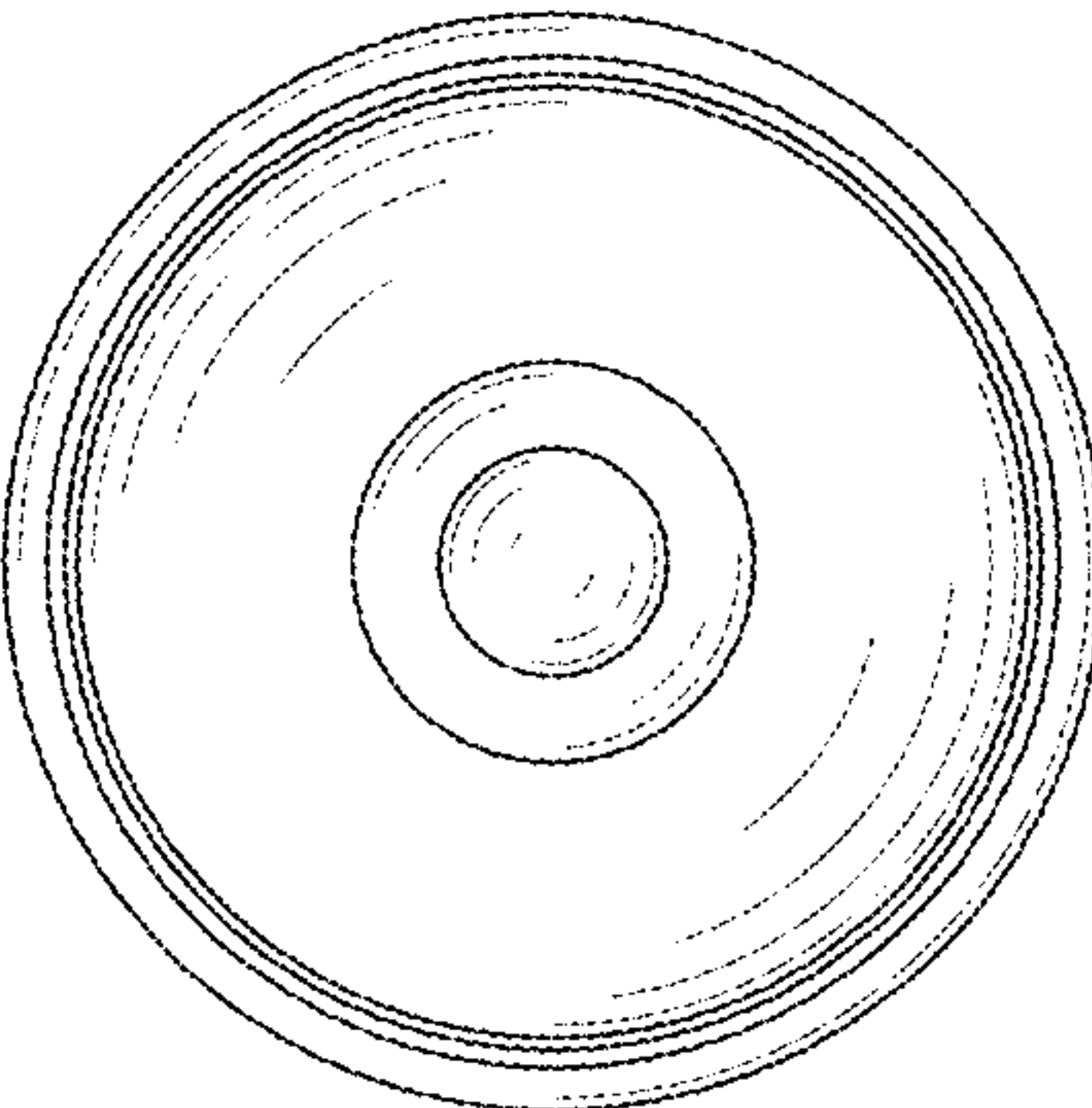


FIG. 2

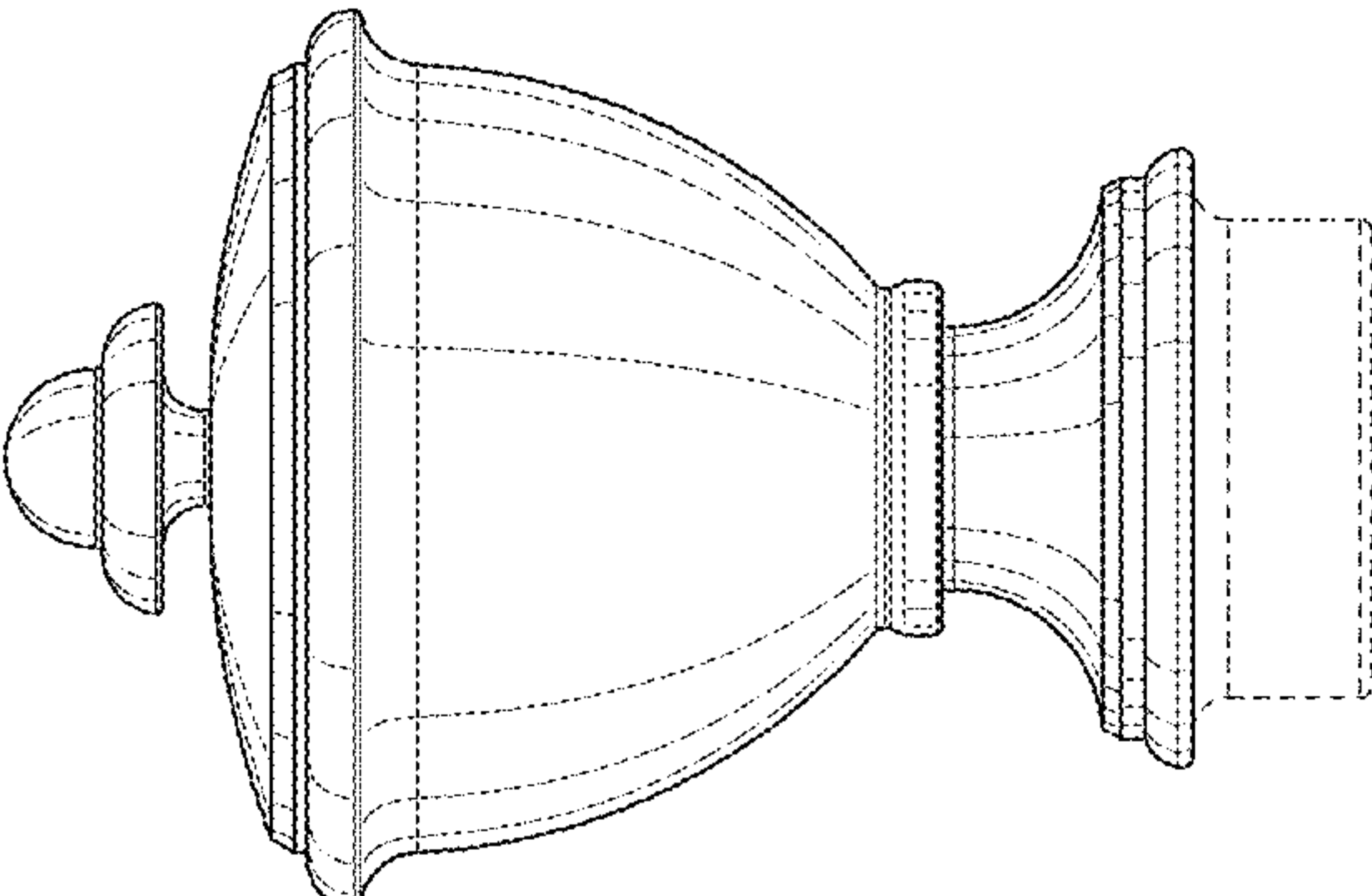


FIG. 3

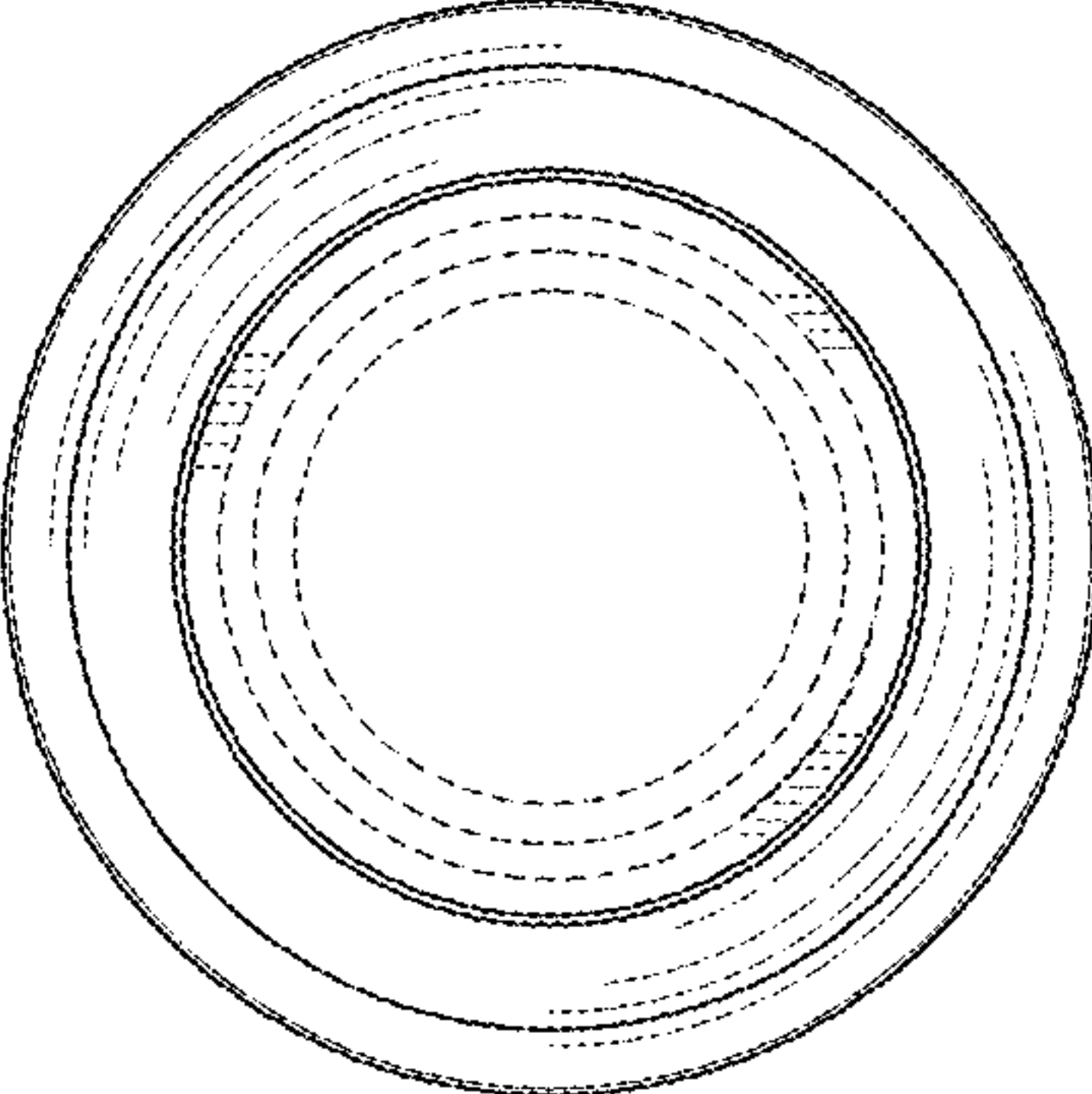


FIG. 4