



US00D799945S

(12) **United States Design Patent** (10) **Patent No.:** **US D799,945 S**
Sotto (45) **Date of Patent:** **** Oct. 17, 2017**

(54) **CURTAIN ROD FINIAL**
(71) Applicant: **UNIQUE FINE FABRICS IMPORT INC., Woodbridge (CA)**
(72) Inventor: **Christopher Sotto, Toronto (CA)**
(73) Assignee: **UNIQUE FINE FABRICS IMPORT INC., Woodbridge (CA)**
(**) Term: **15 Years**
(21) Appl. No.: **29/594,213**
(22) Filed: **Feb. 16, 2017**

D434,325 S 11/2000 Jivago
D459,203 S * 6/2002 Dolan D8/378
D463,007 S 9/2002 Lord
D464,710 S 10/2002 Lord
D492,582 S 7/2004 Graves
D504,059 S 4/2005 File et al.
D505,860 S 6/2005 Graves et al.
D516,902 S 3/2006 Harwanko
D517,903 S 3/2006 Zoroufy
D551,591 S 9/2007 Wesorick
D626,189 S 10/2010 Lin
D656,829 S 4/2012 Watabe
D707,544 S 6/2014 Varlamoff
D725,204 S 3/2015 Rub
D733,563 S 7/2015 Oberlender
(Continued)

Related U.S. Application Data

(62) Division of application No. 29/508,985, filed on Nov. 13, 2014, now Pat. No. Des. 789,777.
(51) **LOC (10) Cl.** **08-08**
(52) **U.S. Cl.**
USPC **D8/373**
(58) **Field of Classification Search**
USPC D8/380, 373, 376, 307, 352, 378, 310;
D23/250, 238, 407; D26/154; 248/262,
248/261, 264, 251
CPC A47H 1/00; A47H 2001/006
See application file for complete search history.

OTHER PUBLICATIONS

Office Action dated Jan. 11, 2017 in respect of Design U.S. Appl. No. 29/508,985.
Primary Examiner — Lakiya Rogers
Assistant Examiner — Harold E Blackwell, II
(74) *Attorney, Agent, or Firm* — Bereskin & Parr LLP/S.E.N.C.R.L., s.r.l.

(56) **References Cited**

U.S. PATENT DOCUMENTS

D7,020 S * 12/1873 Gorman D8/310
D73,182 S * 8/1927 Kasch D11/90
D107,066 S 11/1937 Cavnac
D230,948 S 3/1974 Moon
D233,907 S 12/1974 Michaeli
D306,552 S 3/1990 Paul
D375,345 S 11/1996 Warshawsky
D377,516 S 1/1997 Doughty et al.
D404,292 S 1/1999 Weber

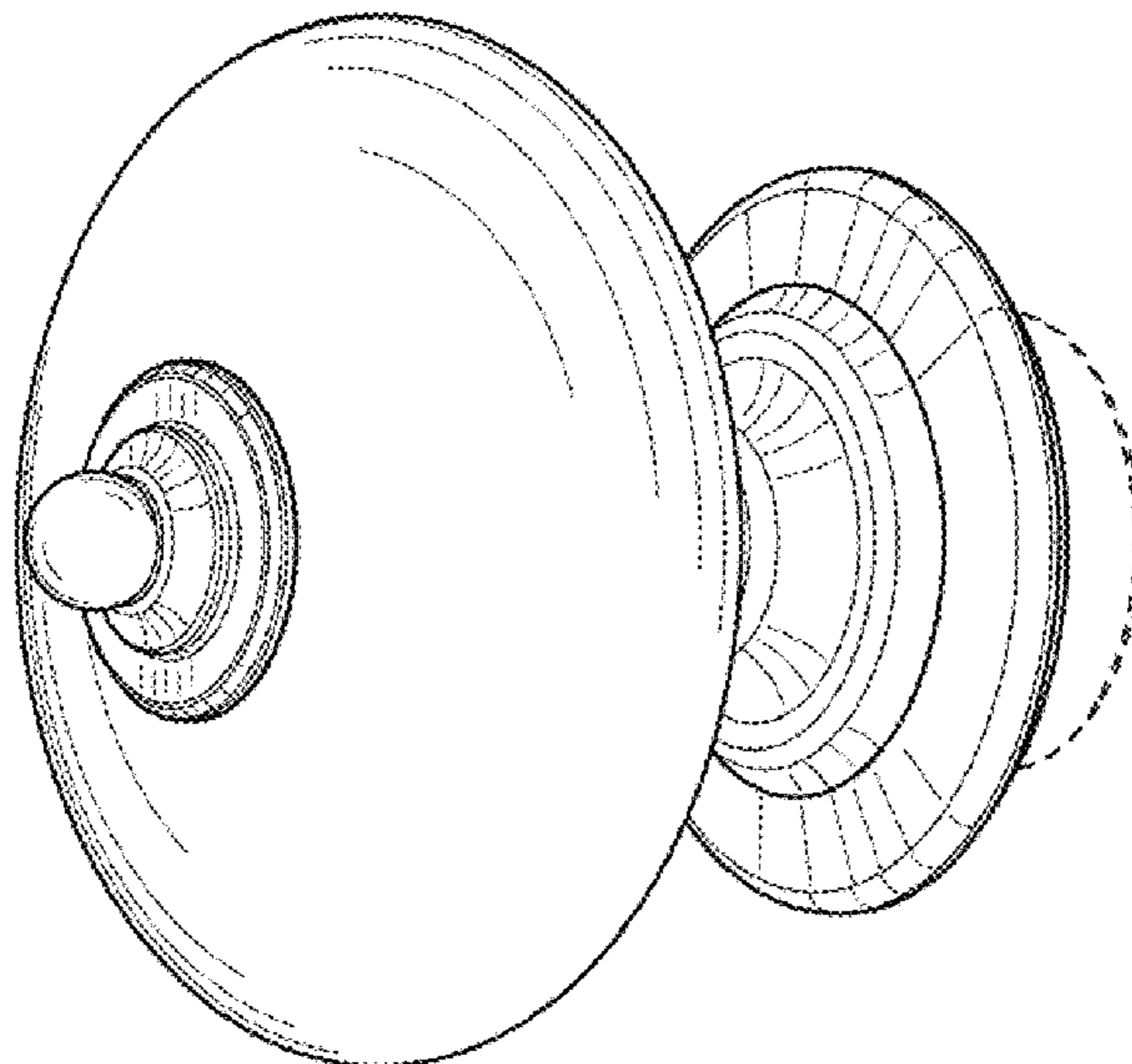
(57) **CLAIM**

The ornamental design for a curtain rod finial, as shown and described.

DESCRIPTION

FIG. 1 is a side perspective view of a curtain rod finial; FIG. 2 is a first end view of the curtain rod finial of FIG. 1; FIG. 3 is a side view of the curtain rod finial of FIG. 1; and, FIG. 4 is a second end view of the curtain rod finial of FIG. 1.
The broken lines in the drawings illustrate portions of a curtain rod finial which form no part of the claimed design.

1 Claim, 1 Drawing Sheet



(56)

References Cited

U.S. PATENT DOCUMENTS

D768,031	S	10/2016	Pellham
D789,777	S	6/2017	Sotto
2003/0010880	A1	1/2003	Lee
2004/0179376	A1	9/2004	Chan et al.
2007/0163185	A1	7/2007	Morley et al.
2009/0046461	A1	2/2009	Fan
2011/0241555	A1	10/2011	Lin

* cited by examiner

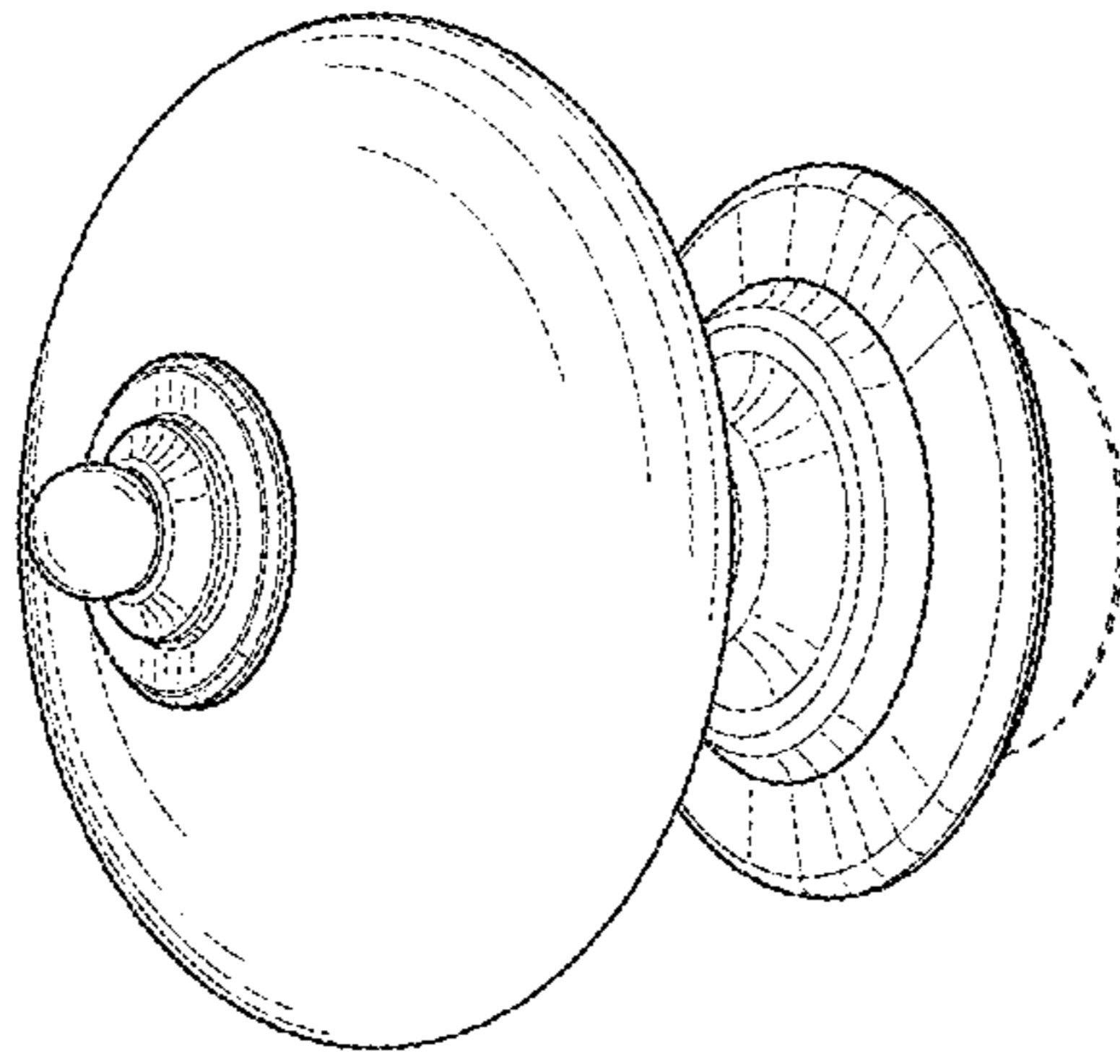


FIG. 1

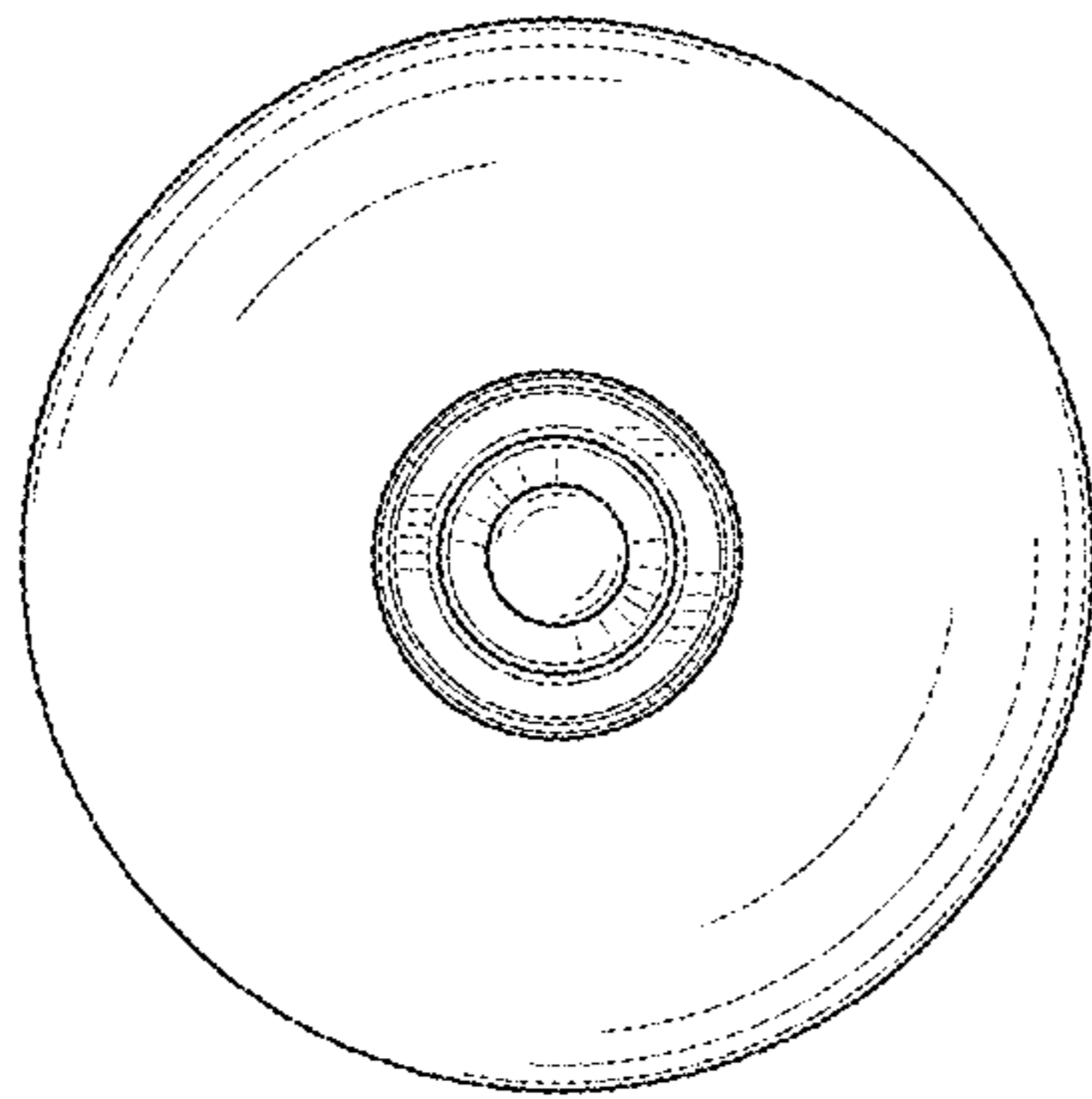


FIG. 2

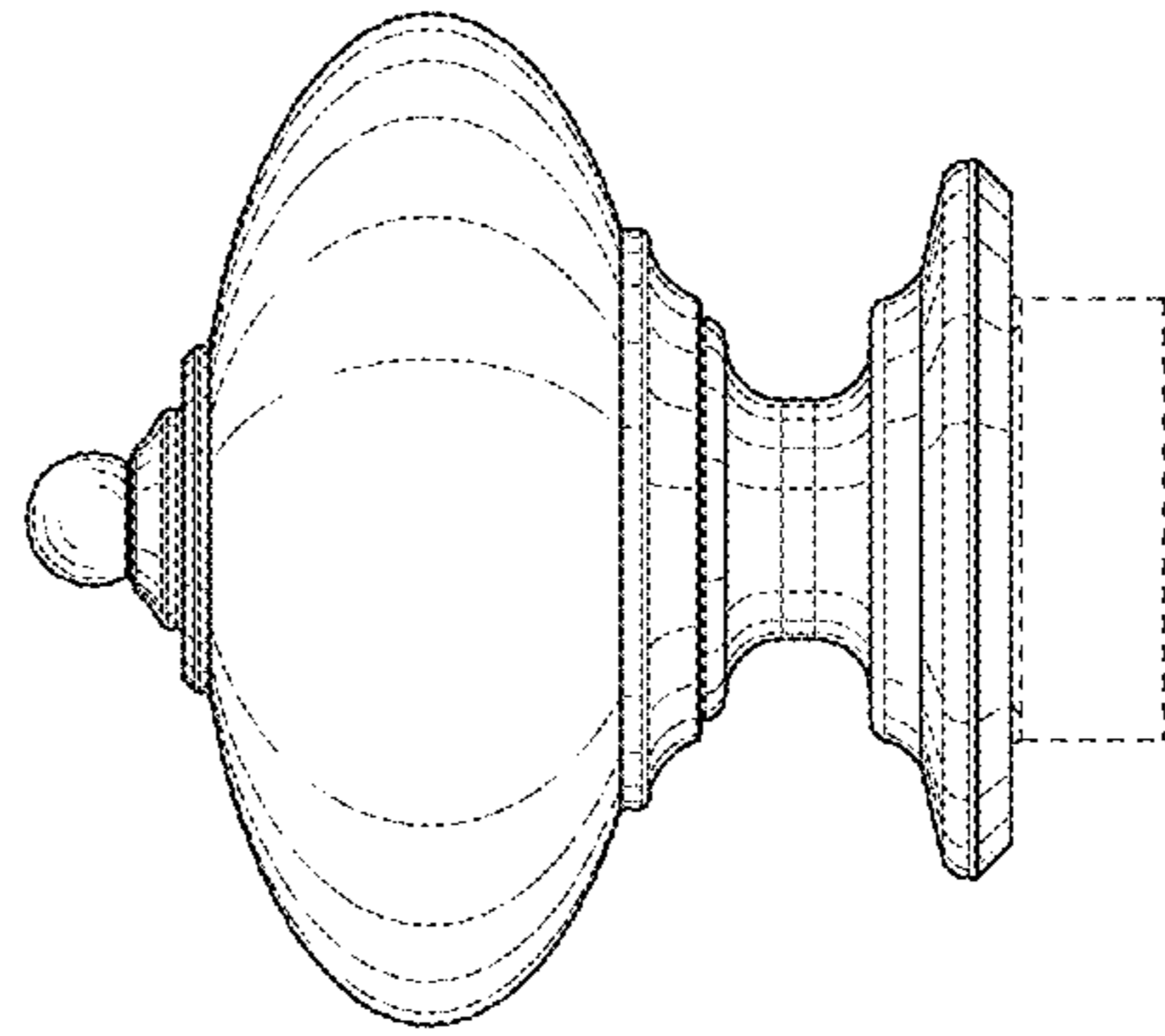


FIG. 3

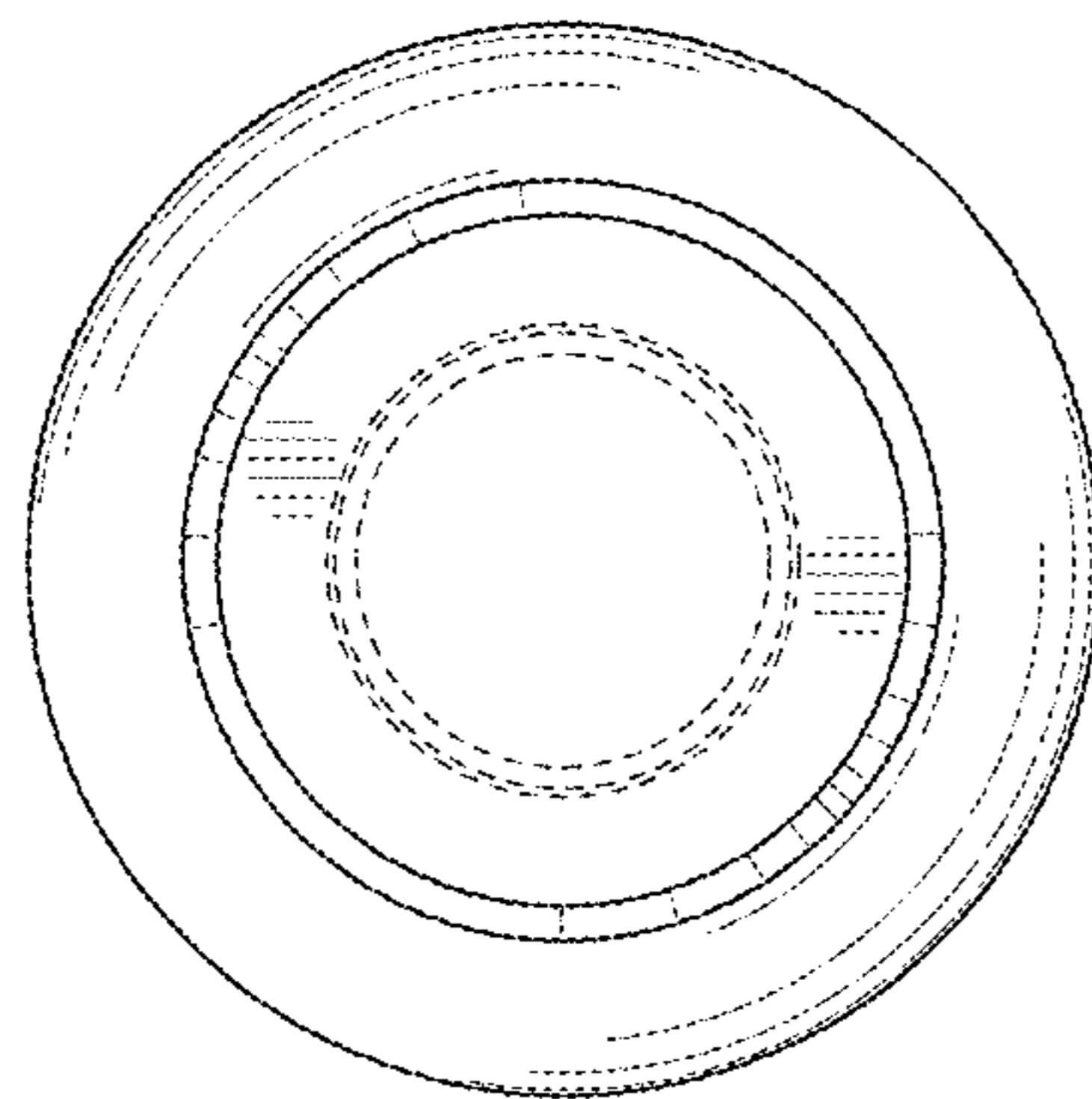


FIG. 4