

US00D799944S

(12) **United States Design Patent**  
**Sullivan**

(10) **Patent No.:** **US D799,944 S**

(45) **Date of Patent:** **\*\* Oct. 17, 2017**

(54) **WALL HOOK**

(71) Applicant: **Scott Sullivan**, San Francisco, CA (US)

(72) Inventor: **Scott Sullivan**, San Francisco, CA (US)

(\*\*) Term: **15 Years**

(21) Appl. No.: **29/584,736**

(22) Filed: **Nov. 16, 2016**

(51) **LOC (10) Cl.** ..... **08-05**

(52) **U.S. Cl.**  
USPC ..... **D8/367**

(58) **Field of Classification Search**  
USPC ..... D8/367, 354, 349, 394, 372, 398, 382,  
D8/356; D3/228; 224/247, 197;  
248/220.43, 220.42; D13/156  
CPC ..... F16L 3/13; F16L 3/26; A47G 23/0225;  
A47G 25/06; A47G 1/16; A47F 5/0846;  
A47F 5/02; A47F 5/0823; H02G 11/003;  
D06F 55/00; E04H 17/10; A45F 5/02;  
F16B 45/02

See application file for complete search history.

(56) **References Cited**

**U.S. PATENT DOCUMENTS**

D307,539 S \* 5/1990 Goodman ..... D8/367  
D390,014 S \* 2/1998 Ho ..... D6/323

D565,939 S \* 4/2008 Newbould ..... D8/367  
D579,322 S \* 10/2008 Newbould ..... D8/367  
D632,951 S \* 2/2011 McGreevy ..... D8/367  
D641,228 S \* 7/2011 Qiblawi ..... D8/367  
D697,387 S \* 1/2014 Starck ..... D8/367  
D715,133 S \* 10/2014 Pan ..... D8/367  
D715,625 S \* 10/2014 Pan ..... D8/367  
D715,626 S \* 10/2014 Pan ..... D8/367

\* cited by examiner

*Primary Examiner* — Cynthia Underwood

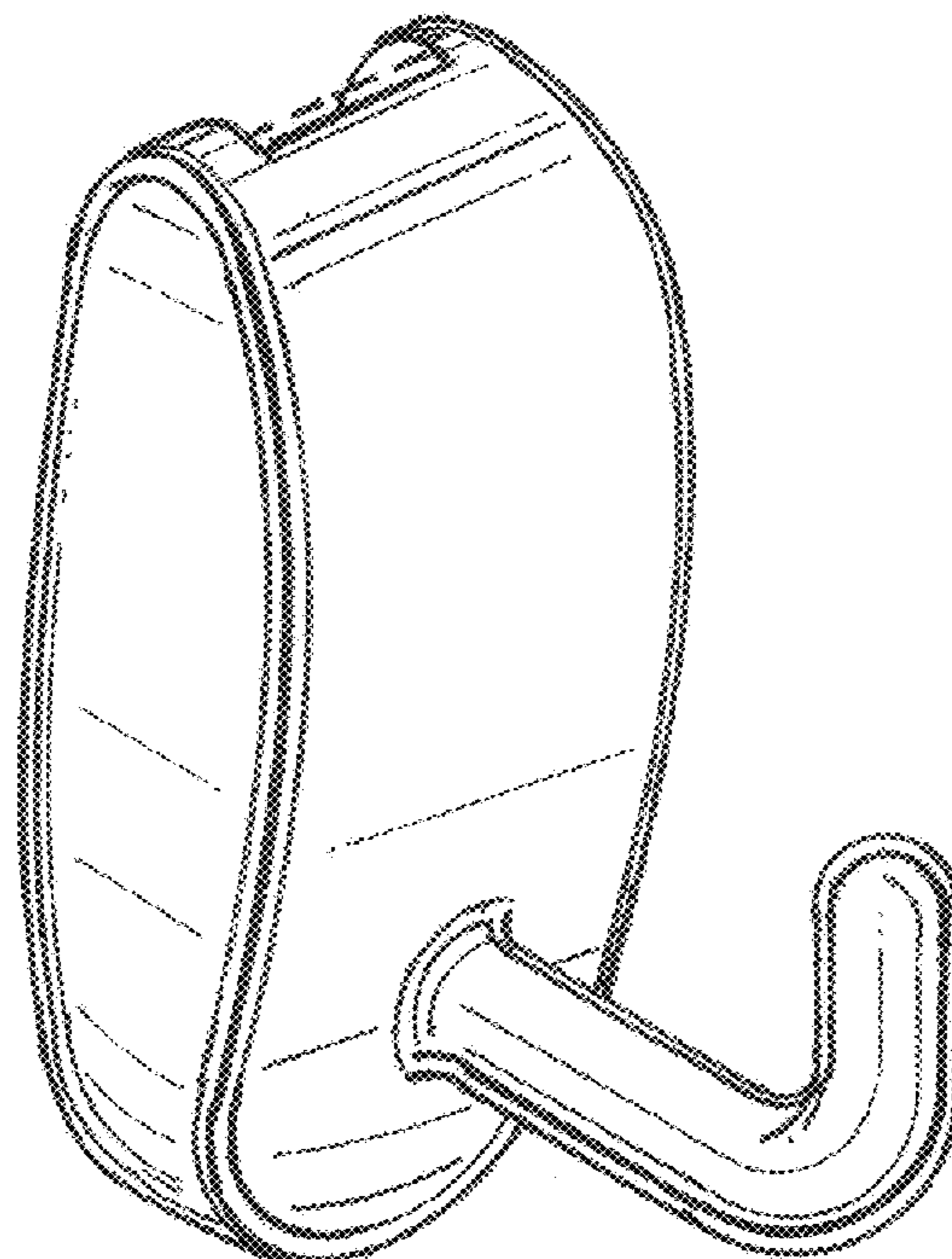
(57) **CLAIM**

The ornamental design for a wall hook, as shown and described.

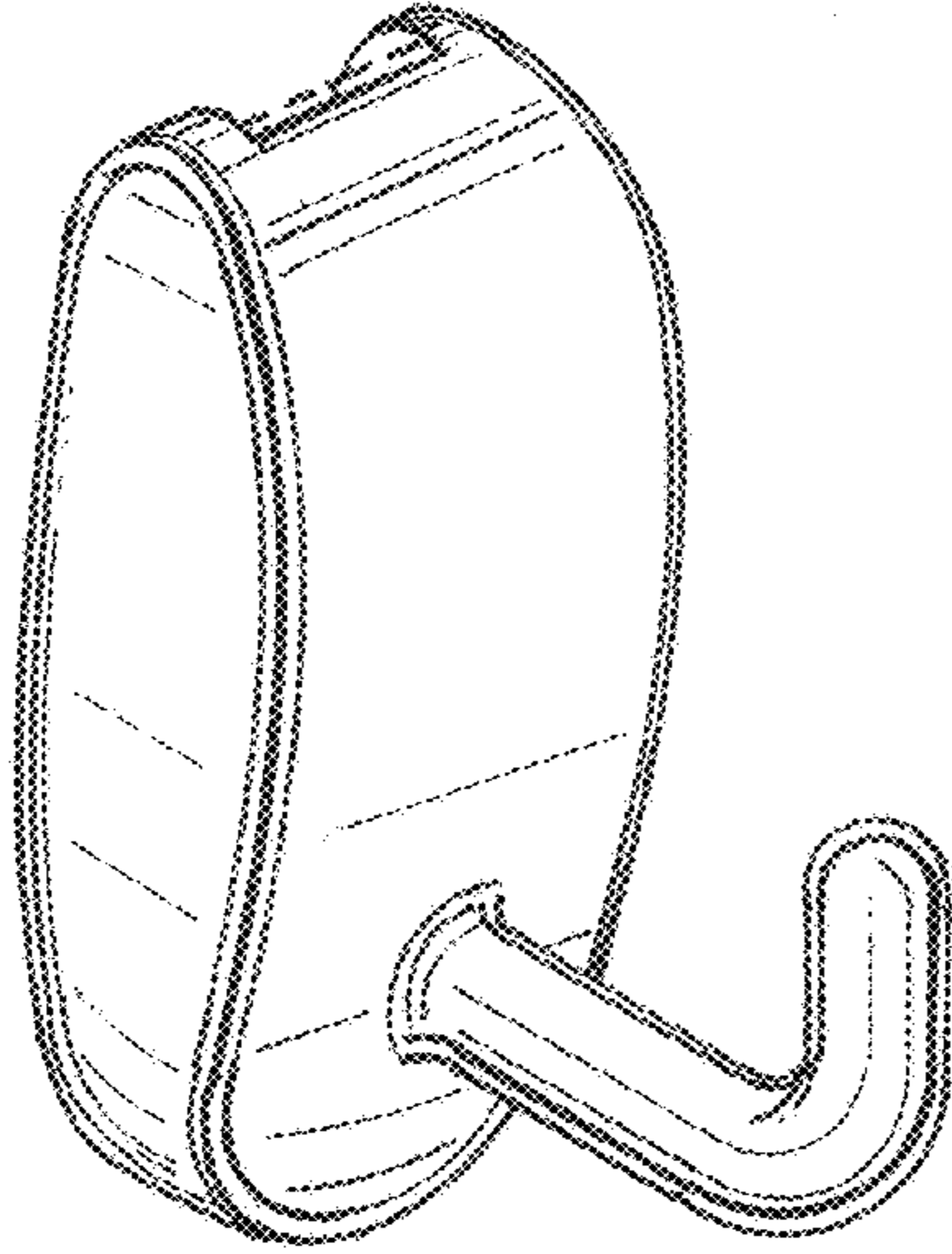
**DESCRIPTION**

FIG. 1 is a top front perspective view of a wall hook showing my new design;  
FIG. 2 is a front elevation view thereof;  
FIG. 3 is a left side elevation view thereof, the right side elevation view being a mirror image thereof;  
FIG. 4 is a rear elevation view thereof;  
FIG. 5 is a top plan view thereof; and,  
FIG. 6 is a bottom plan view thereof.  
The broken lines represent portions of the structure that form no part of the claim.

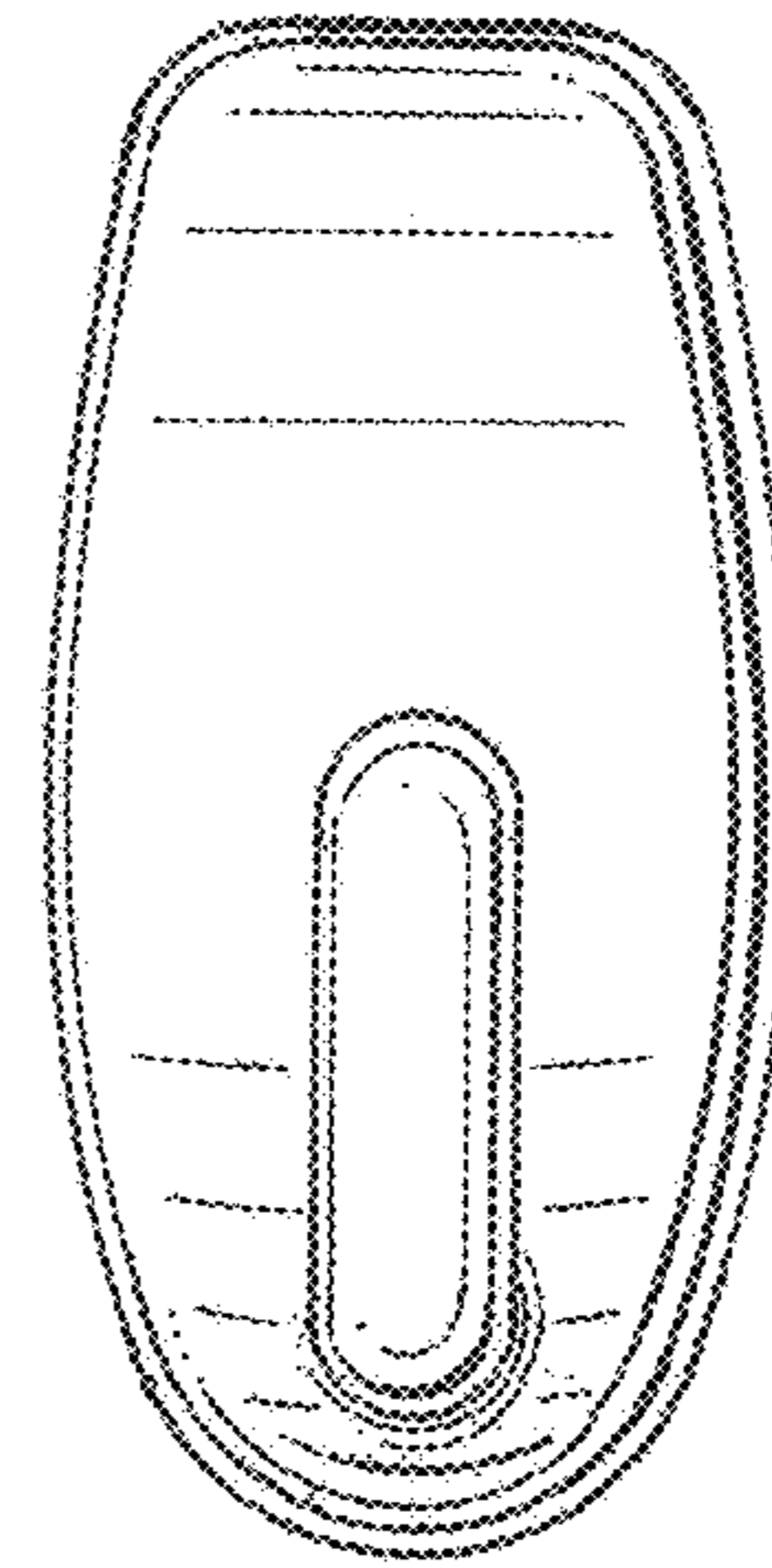
**1 Claim, 2 Drawing Sheets**



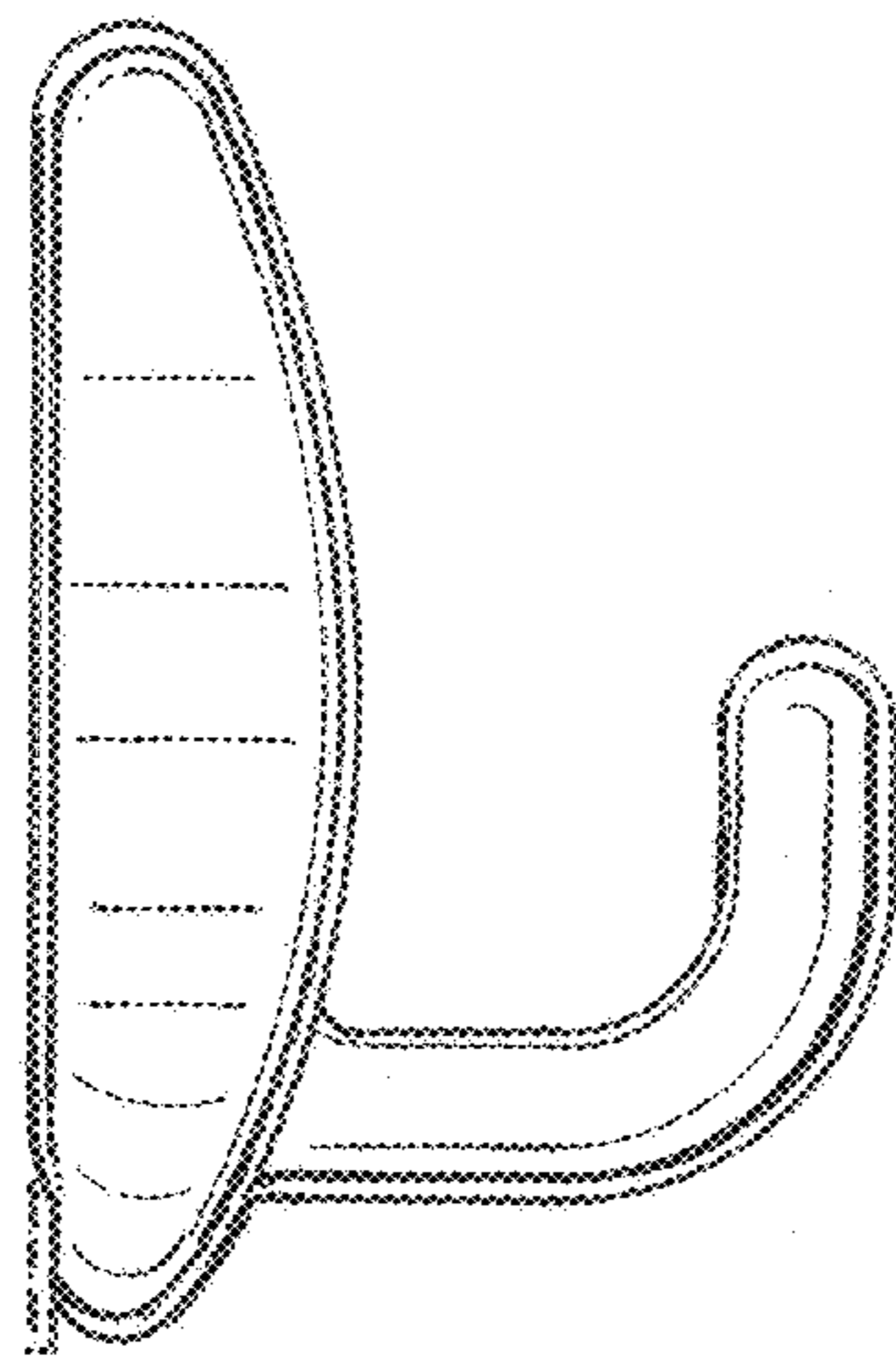
**FIG 1**



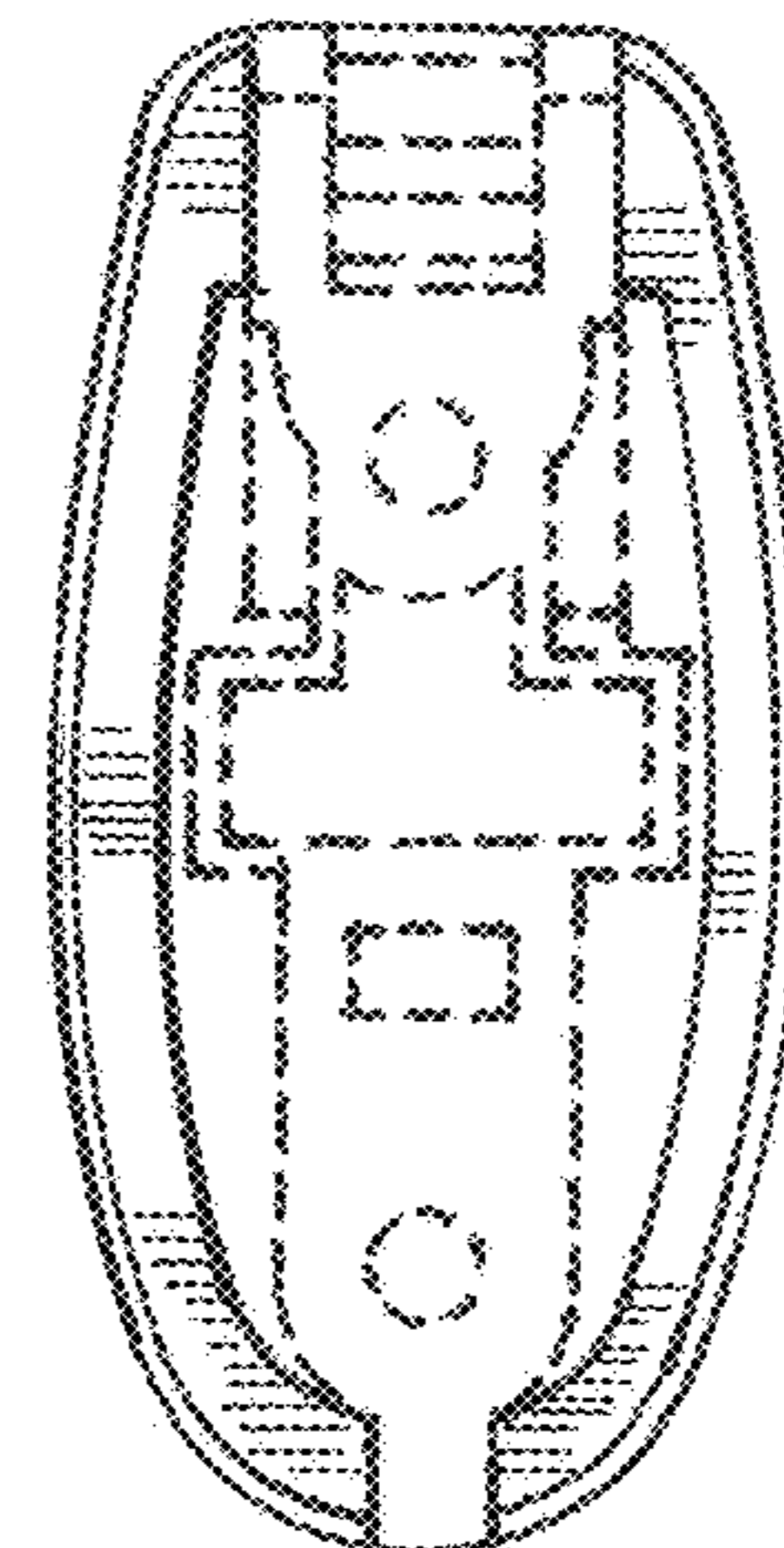
**FIG 2**

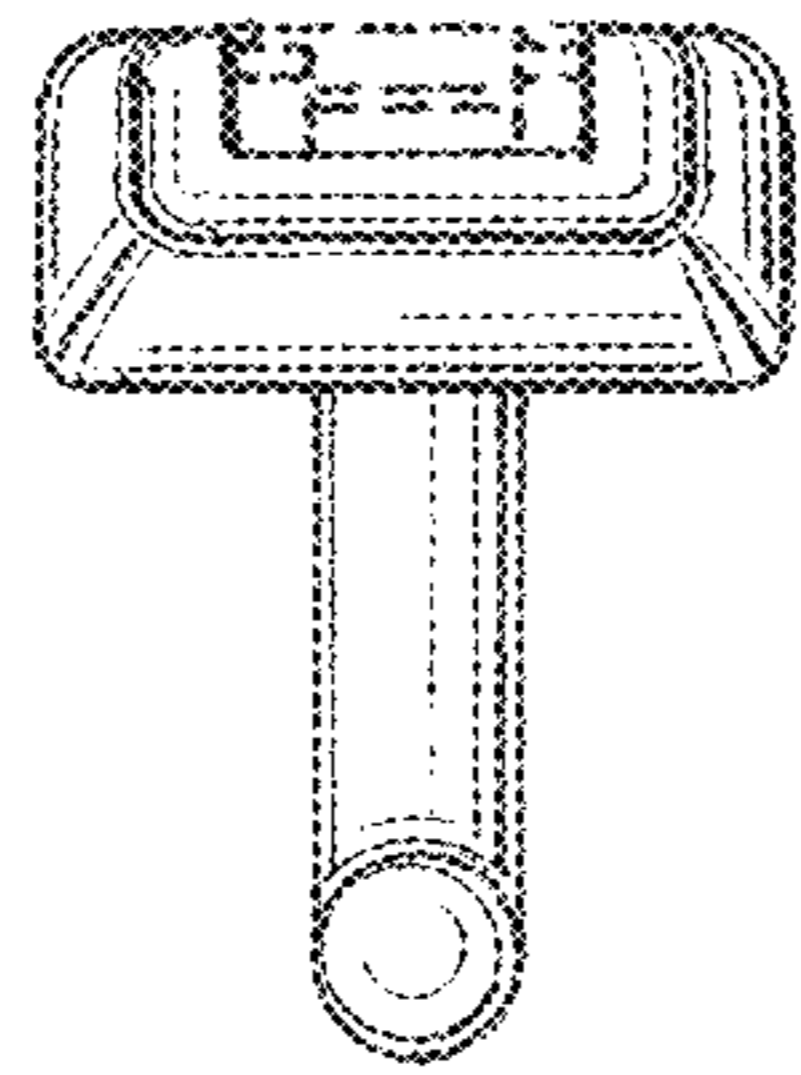


**FIG 3**

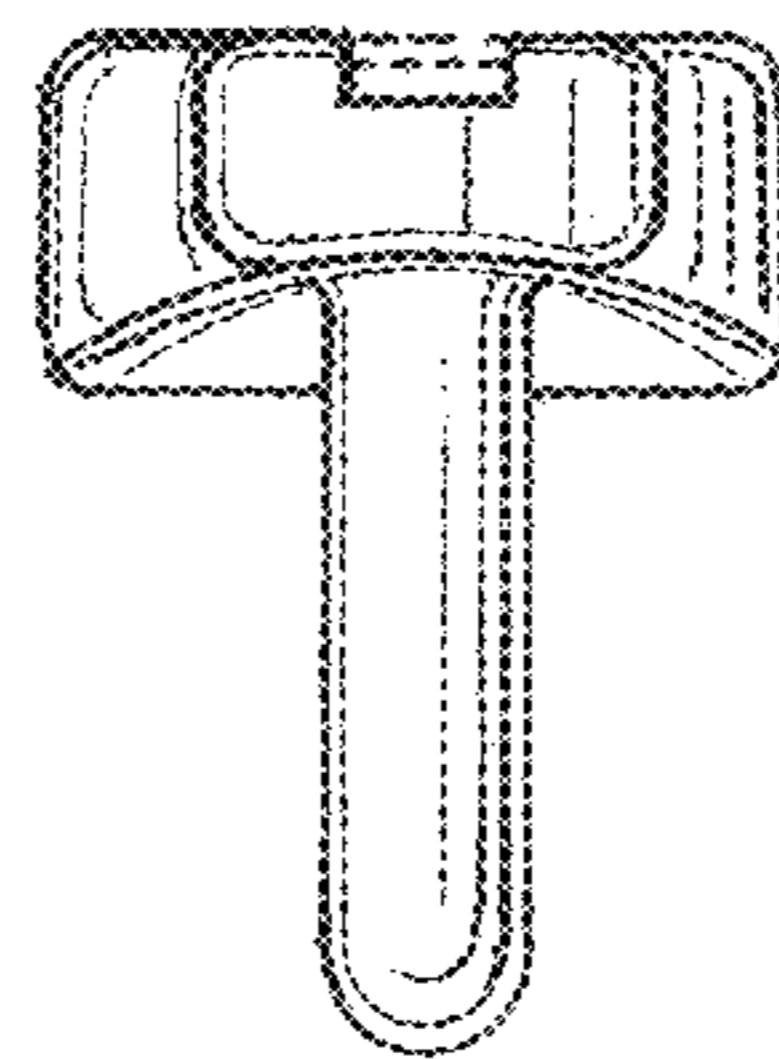


**FIG 4**





**FIG 5**



**FIG 6**