

US00D799941S

(12) **United States Design Patent** (10) **Patent No.:** **US D799,941 S**  
**Rothenberg et al.** (45) **Date of Patent:** **\*\* Oct. 17, 2017**

- (54) **CABLE PROTECTOR**
- (71) Applicant: **Elasco Products, LLC**, Huntington Beach, CA (US)
- (72) Inventors: **Dani Rothenberg**, Corona Del Mar, CA (US); **Greg Stevens**, Eastvale, CA (US)
- (73) Assignee: **Elasco Products, LLC**, Huntington Beach, CA (US)

- D577,990 S \* 10/2008 Andre ..... D14/205
- 7,484,539 B1 \* 2/2009 Huang ..... D03D 3/02  
139/384 R
- D629,803 S \* 12/2010 St. Ives ..... D14/396
- D648,685 S \* 11/2011 Symons ..... D13/155
- D679,581 S \* 4/2013 Liu ..... D8/395
- 8,602,370 B2 \* 12/2013 McKenzie ..... A47G 25/0614  
248/215
- D708,052 S \* 7/2014 Symons ..... D8/394
- D745,380 S \* 12/2015 Williams ..... D8/394

(Continued)

- (\*\*) Term: **15 Years**
- (21) Appl. No.: **29/537,120**
- (22) Filed: **Aug. 21, 2015**
- (51) **LOC (10) Cl.** ..... **08-05**
- (52) **U.S. Cl.**  
USPC ..... **D8/356**
- (58) **Field of Classification Search**  
USPC ..... D8/356, 354, 349  
CPC ..... E02D 5/803; B63B 21/045; B63B 59/02;  
B60D 1/18; B60P 7/0823; A44B 13/0029  
See application file for complete search history.

(56) **References Cited**

U.S. PATENT DOCUMENTS

- 577,220 A \* 2/1897 Whitehead ..... B25J 1/04  
15/144.3
- 3,056,309 A \* 10/1962 Horste ..... B62D 55/211  
305/204
- 3,953,640 A \* 4/1976 Takada ..... B60R 21/18  
139/387 R
- 4,048,399 A \* 9/1977 Terzaghi ..... H01M 4/765  
139/387 R
- D372,420 S \* 8/1996 Mendez ..... D8/356
- 6,392,882 B1 \* 5/2002 Chen ..... G06F 1/1626  
345/205
- 6,405,414 B1 \* 6/2002 Byrnes ..... B60R 22/023  
24/198
- D494,450 S \* 8/2004 Schultz ..... D8/356
- D534,065 S \* 12/2006 Andre ..... D14/205

OTHER PUBLICATIONS

Grainger Product Information for Cable Crossover Pad accessed on Aug. 18, 2015. [http://www.grainger.com/product/GRAINGER-APPROVED-Cable-Crossover-Pad-WP5141650/\\_/N-1z0dm09?s\\_pp=false&picUrl=//static.grainger.com/rp/s/is/image/Grainger/3KUR6\\_AS01?\\$smthumb\\$](http://www.grainger.com/product/GRAINGER-APPROVED-Cable-Crossover-Pad-WP5141650/_/N-1z0dm09?s_pp=false&picUrl=//static.grainger.com/rp/s/is/image/Grainger/3KUR6_AS01?$smthumb$).

(Continued)

*Primary Examiner* — Cynthia Underwood  
(74) *Attorney, Agent, or Firm* — Knobbe, Martens, Olson & Bear LLP

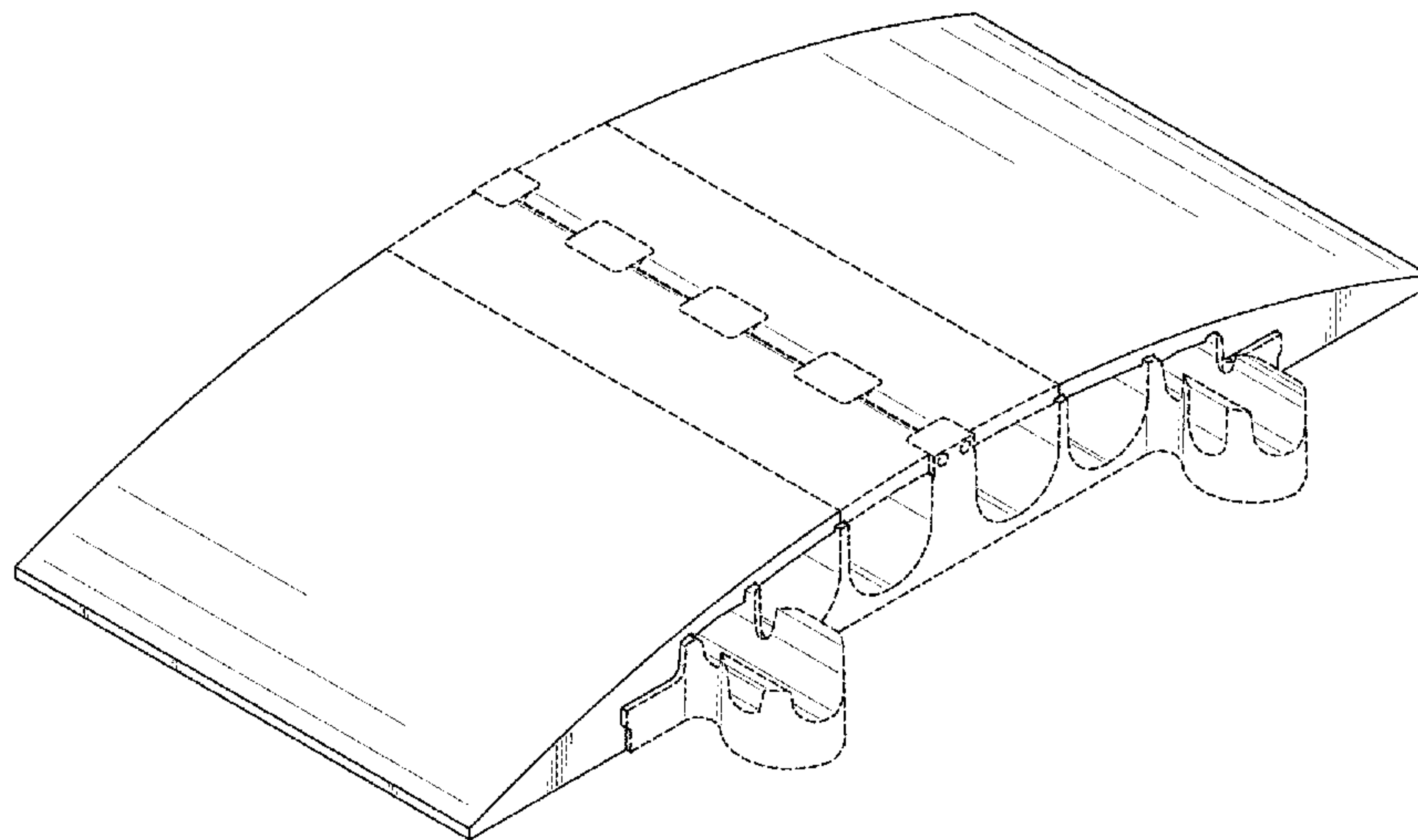
(57) **CLAIM**

We claim the ornamental design for a cable protector, as shown and described.

**DESCRIPTION**

FIG. 1 is a top, front and side perspective view of a cable protector.  
FIG. 2 is a front view thereof.  
FIG. 3 is a back view thereof.  
FIG. 4 is a side view thereof.  
FIG. 5 is a side view thereof opposite the side view of FIG. 4.  
FIG. 6 is a top view thereof; and,  
FIG. 7 is a bottom view thereof.  
Broken lines are used to illustrate features of the cable protector which form no part of the claimed design.

**1 Claim, 5 Drawing Sheets**



(56)

**References Cited**

## U.S. PATENT DOCUMENTS

D747,413 S \* 1/2016 Hoyt Drazen ..... D19/203  
D752,955 S \* 4/2016 Rowan ..... D8/356  
D762,588 S \* 8/2016 Chin ..... D13/155  
D763,671 S \* 8/2016 Sizelove ..... D8/394  
2005/0230143 A1\* 10/2005 Simmons ..... B65H 75/36  
174/66  
2014/0360771 A1\* 12/2014 Itani ..... H05K 9/0098  
174/354  
2015/0027778 A1\* 1/2015 Murao ..... H02G 3/0481  
174/72 A

## OTHER PUBLICATIONS

Grainger Product Information for 25 ft. Cable Protector accessed on Aug. 18, 2015. [http://www.grainger.com/product/POWER-FIRST-25-ft-Cable-Protector-WP5388422/\\_/N-1z0dm09?s\\_pp=false&picUrl=//static.grainger.com/rp/s/is/image/Grainger/4CEH6\\_AS01?%\\$smthumb\\$](http://www.grainger.com/product/POWER-FIRST-25-ft-Cable-Protector-WP5388422/_/N-1z0dm09?s_pp=false&picUrl=//static.grainger.com/rp/s/is/image/Grainger/4CEH6_AS01?%$smthumb$).

Firefly Series Ad Live Design titled, “Protecting More Than Just Your Cables”; LDI Tradeshow; 2008.

Adam Hall Product Information for Defender Mini—Cable Protector—3-channels accessed on Oct. 31, 2016. [http://www.adamhall.com/en/Defender\\_Mini\\_-\\_Cable\\_Protector\\_3-channels\\_85200.html](http://www.adamhall.com/en/Defender_Mini_-_Cable_Protector_3-channels_85200.html).

LineBacker-Cable Management Information for “3-Channel Lightweight Grip Guard” accessed on Oct. 31, 2016. <http://linebacker-safety.com/products/cable-protectors/grip-guard-gripper-connector-cable-protectors/3-channel-lightweight-grip-guard/>.

Defender Series—User’s Manual, Version 1, [www.adamhall.com](http://www.adamhall.com), dated Nov. 4, 2016.

\* cited by examiner

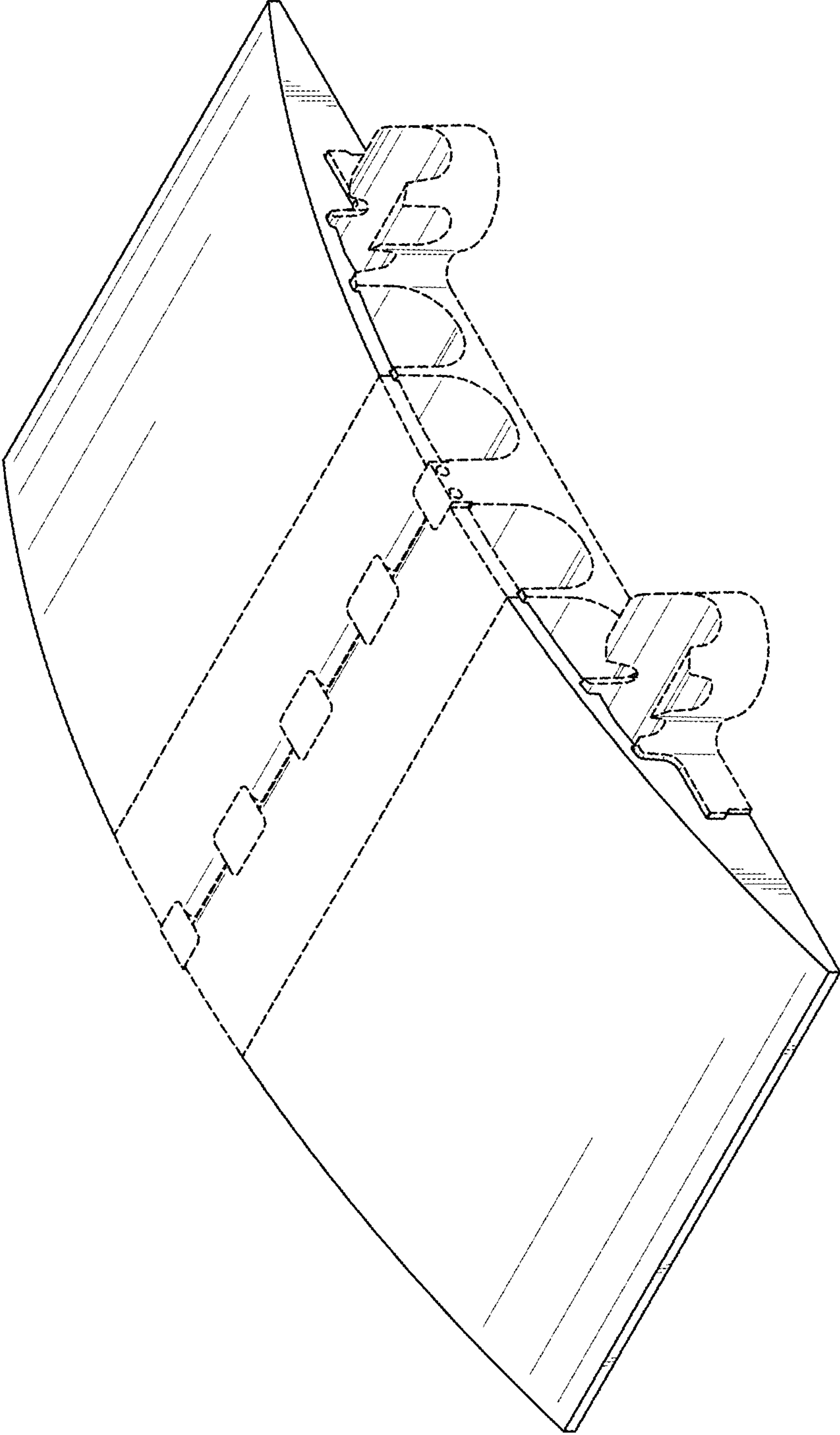


FIG. 1

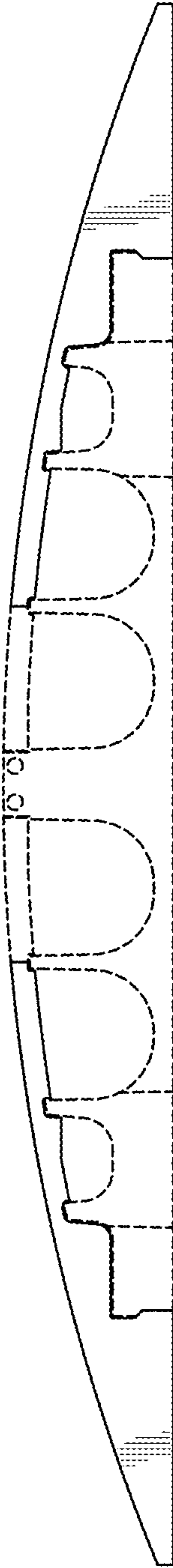


FIG. 2

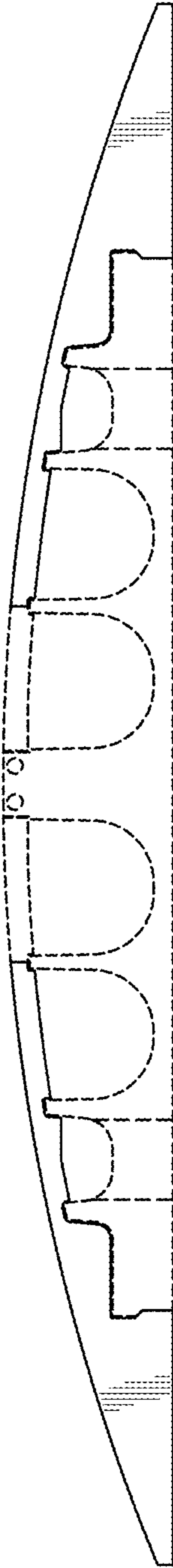


FIG. 3

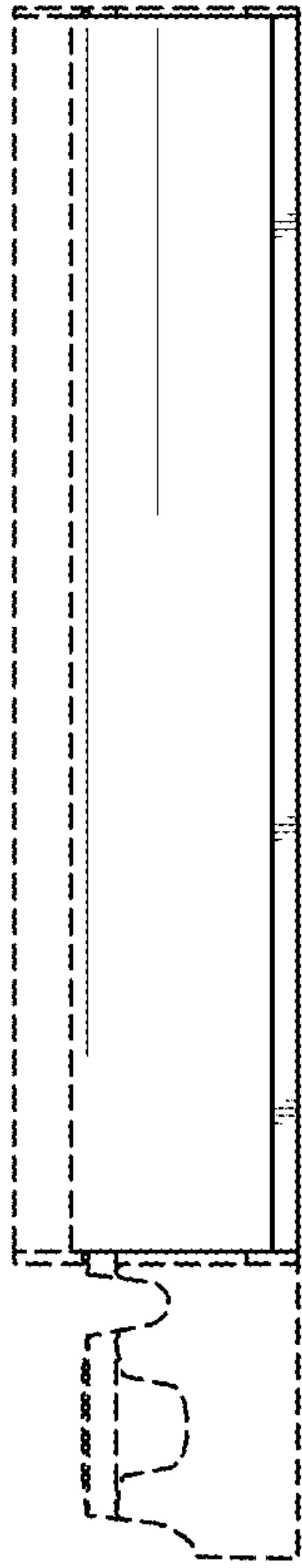


FIG. 4

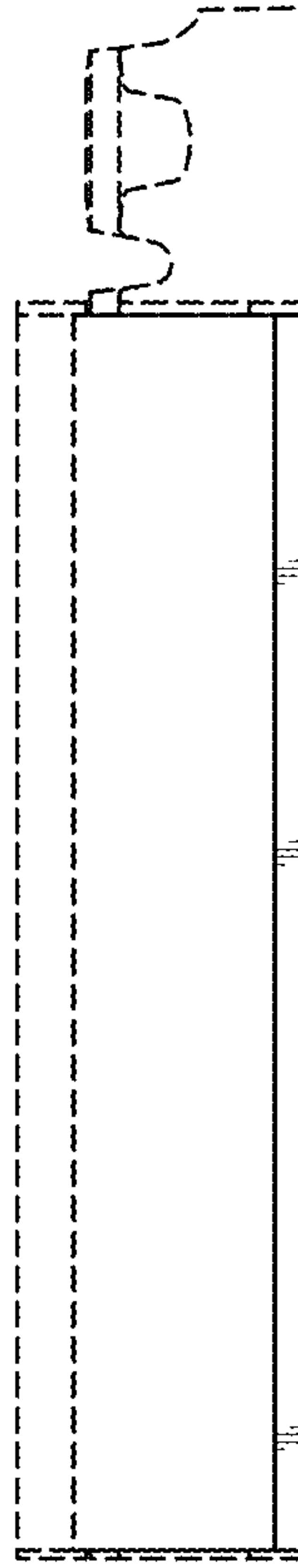


FIG. 5

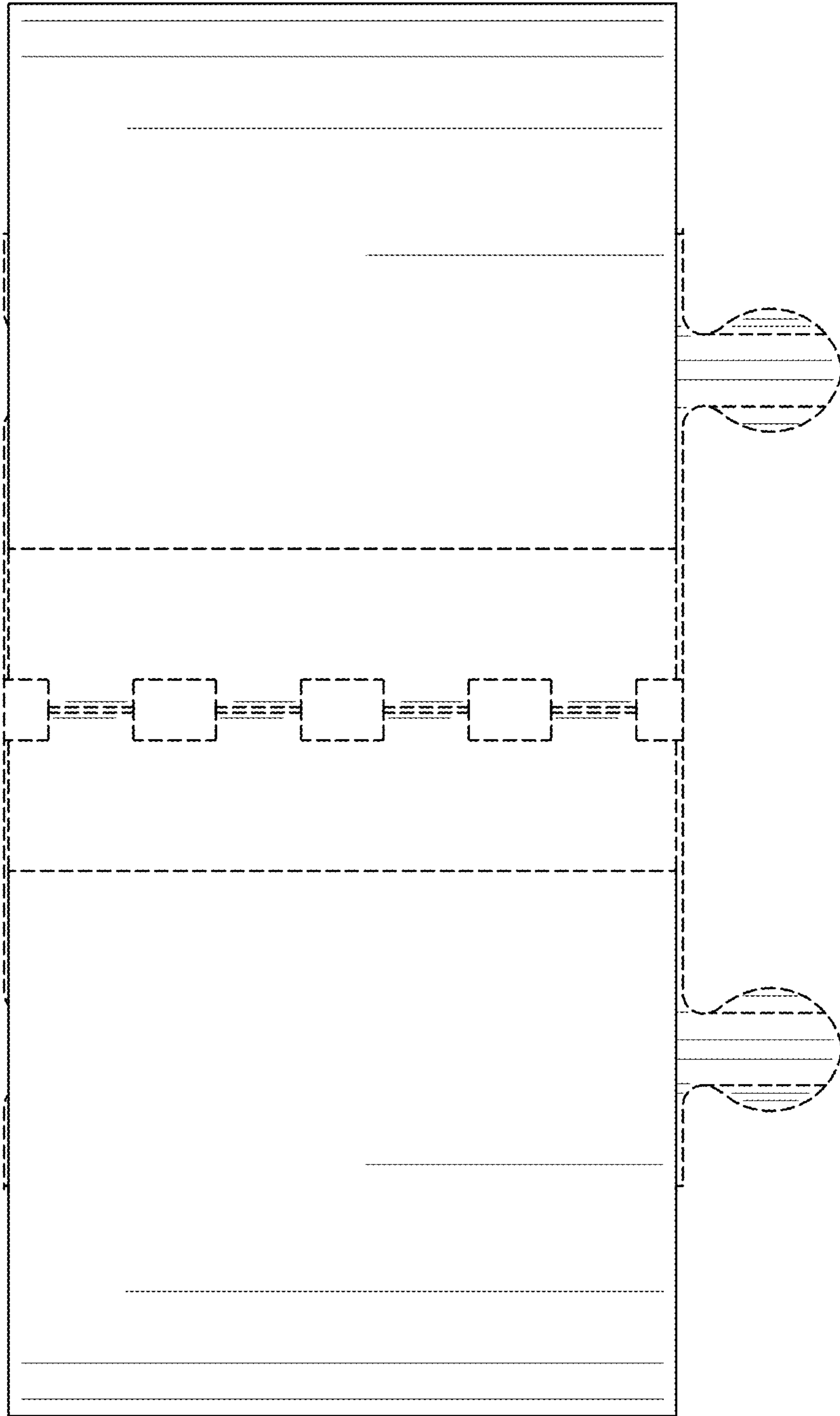


FIG. 6



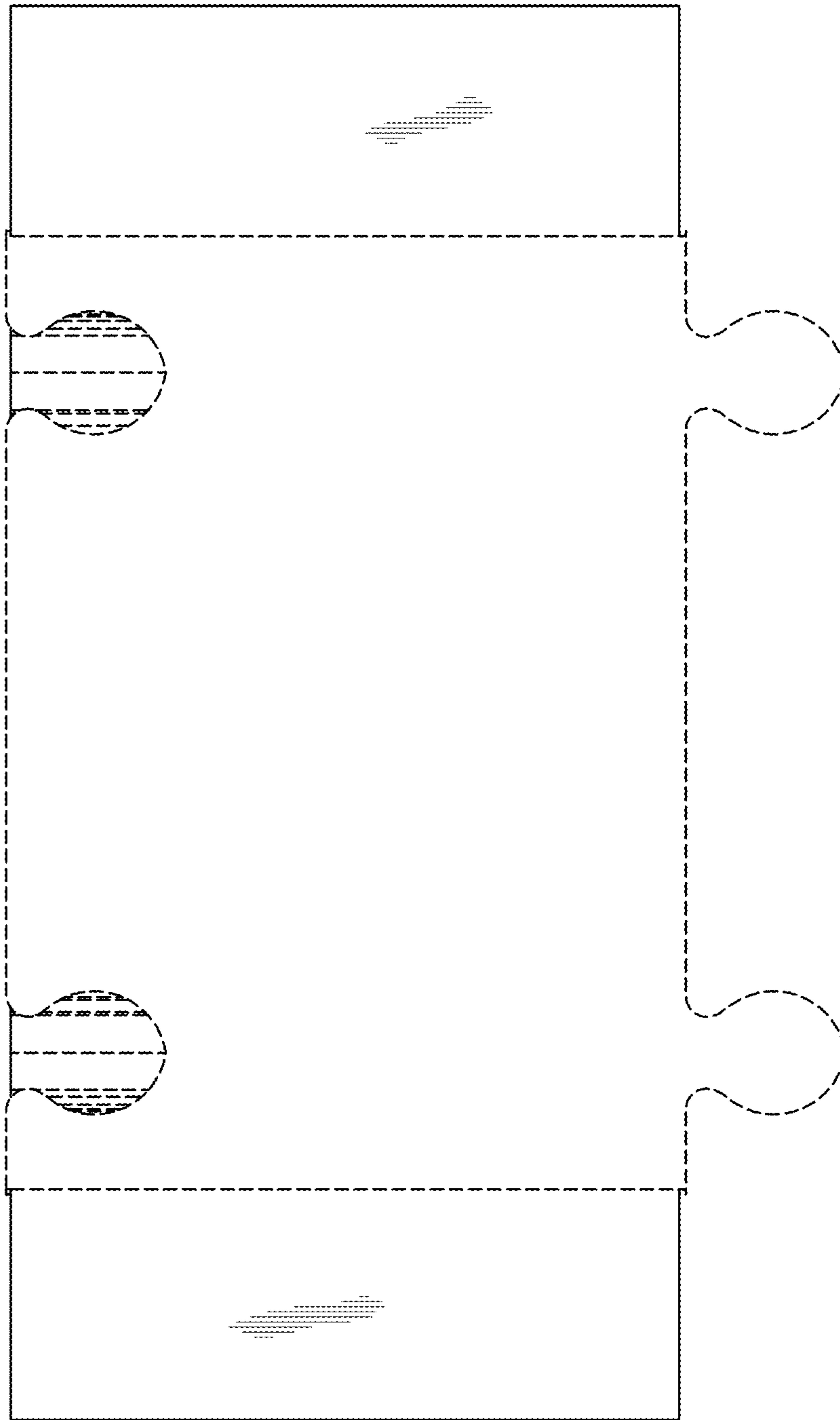


FIG. 7