



US00D799939S

(12) **United States Design Patent** (10) **Patent No.:** **US D799,939 S**
Lowitz (45) **Date of Patent:** **** Oct. 17, 2017**

(54) **CALIPER CRACK MARK**
(71) Applicant: **Gregory E. Lowitz**, Redwood City, CA (US)
(72) Inventor: **Gregory E. Lowitz**, Redwood City, CA (US)
(**) Term: **15 Years**
(21) Appl. No.: **29/582,408**
(22) Filed: **Oct. 27, 2016**

D483,252 S 12/2003 Williamson
D619,449 S 7/2010 Smith
D627,490 S 11/2010 Janish
D637,697 S 5/2011 Steiner
D662,807 S * 7/2012 Waddell D8/382
D678,481 S * 3/2013 Branco D23/260
D700,682 S 3/2014 Bayyouk
D718,121 S 11/2014 Yu
D733,262 S * 6/2015 Kang D23/261
D744,068 S * 11/2015 Turner D23/260
D748,228 S 1/2016 Bayyouk
D771,480 S * 11/2016 Lowitz D8/382

(Continued)

Related U.S. Application Data

(62) Division of application No. 29/503,458, filed on Sep. 26, 2014, now Pat. No. Des. 771,480.
(51) **LOC (10) Cl.** **08-05**
(52) **U.S. Cl.**
USPC **D8/354**; D8/382
(58) **Field of Classification Search**
USPC D8/349, 354, 375, 382, 387, 388, 393, D8/394, 396; D25/199; D6/702, 710; D23/233, 259, 260, 261, 499
CPC G01N 2203/006; G01N 2203/0062; G01N 2203/0064; G01N 2203/0066; G01N 3/62; G01N 19/08; G01N 27/4163; G01N 27/9086; G01N 2035/00702; G01N 3/40
See application file for complete search history.

References Cited

U.S. PATENT DOCUMENTS

3,731,920 A * 5/1973 Matsuda A63B 25/08 135/86
D243,510 S * 3/1977 Shirey D23/316
4,075,886 A 2/1978 Barker
D309,857 S * 8/1990 Fenton D8/367
D347,467 S 5/1994 Medvick
D370,629 S * 6/1996 Lynch D9/439
D463,537 S * 9/2002 Kozu D23/233
D480,953 S 10/2003 Lee

OTHER PUBLICATIONS

Data Sheet and Installation Guide—Crackmon® Crackpoint™ TR50ti, 2 pages, date unknown, cited in Notice of Allowance for U.S. Appl. No. 29/503,458 mailed Aug. 17, 2016, <<https://buildera.box.com/shared/static/zumr4j5ce03raw2psl8q2wm4i5yykj5k.pdf>>.

Primary Examiner — Sandra Snapp
Assistant Examiner — Ieisha Price
(74) *Attorney, Agent, or Firm* — Price Heneveld LLP

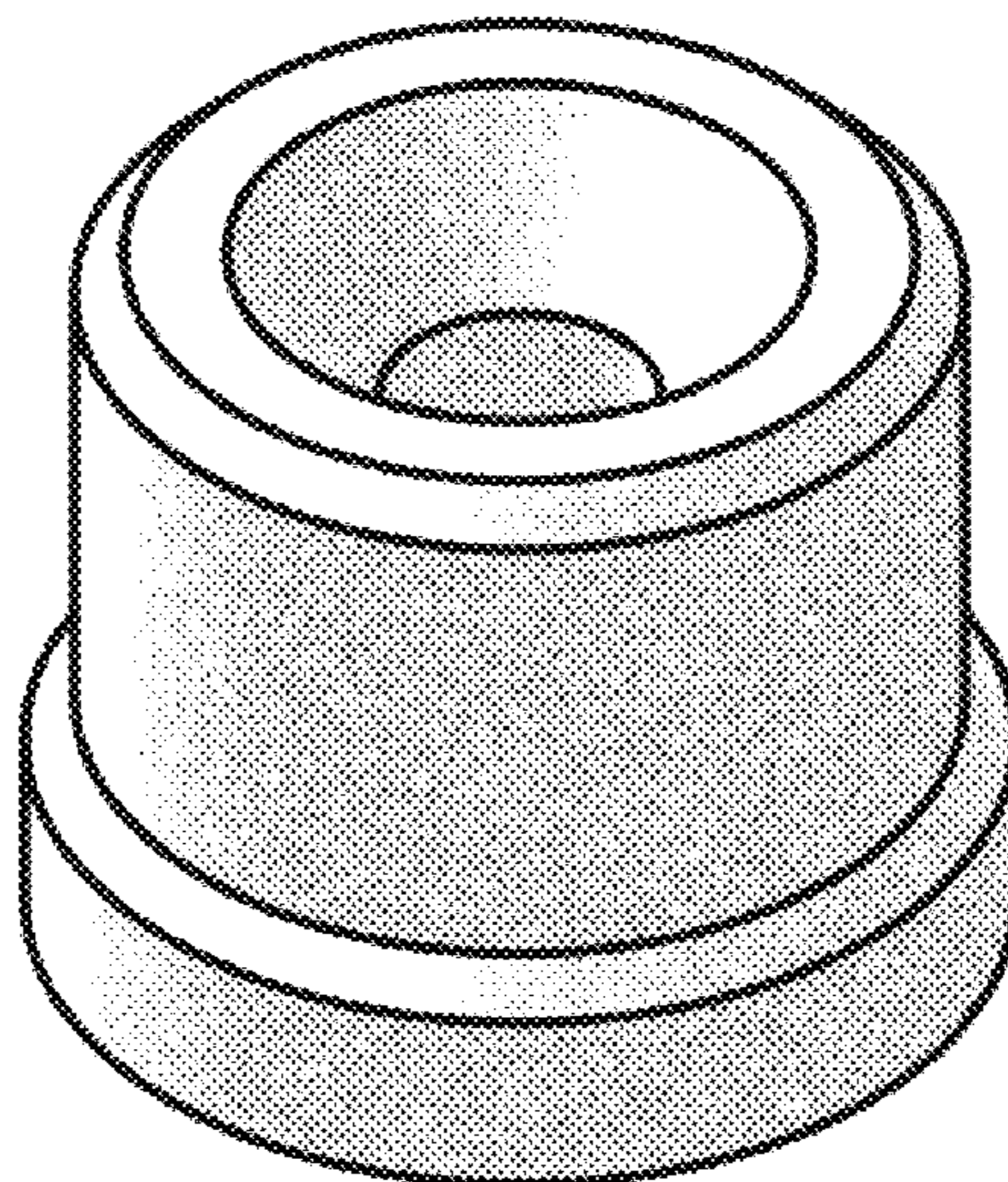
CLAIM

I claim the ornamental design for a caliper crack mark, as shown and described.

DESCRIPTION

FIG. 1 is a top perspective view of a caliper crack mark according to the design;
FIG. 2 is a top plan view thereof;
FIG. 3 is a front elevation view thereof, the left, right and rear elevation views being identical;
FIG. 4 is a cross-section view thereof taken along the line 4-4 of FIG. 3;
FIG. 5 is a bottom perspective view thereof; and,
FIG. 6 is a bottom plan view thereof.
The stippled shading in the Figures shows surface contouring and does not represent surface ornamentation.

1 Claim, 1 Drawing Sheet



(56)

References Cited

U.S. PATENT DOCUMENTS

D788,886 S * 6/2017 Salzer D23/259
2013/0099541 A1* 4/2013 Hung A47C 9/002
297/344.21
2016/0161383 A1 6/2016 Lowitz

* cited by examiner

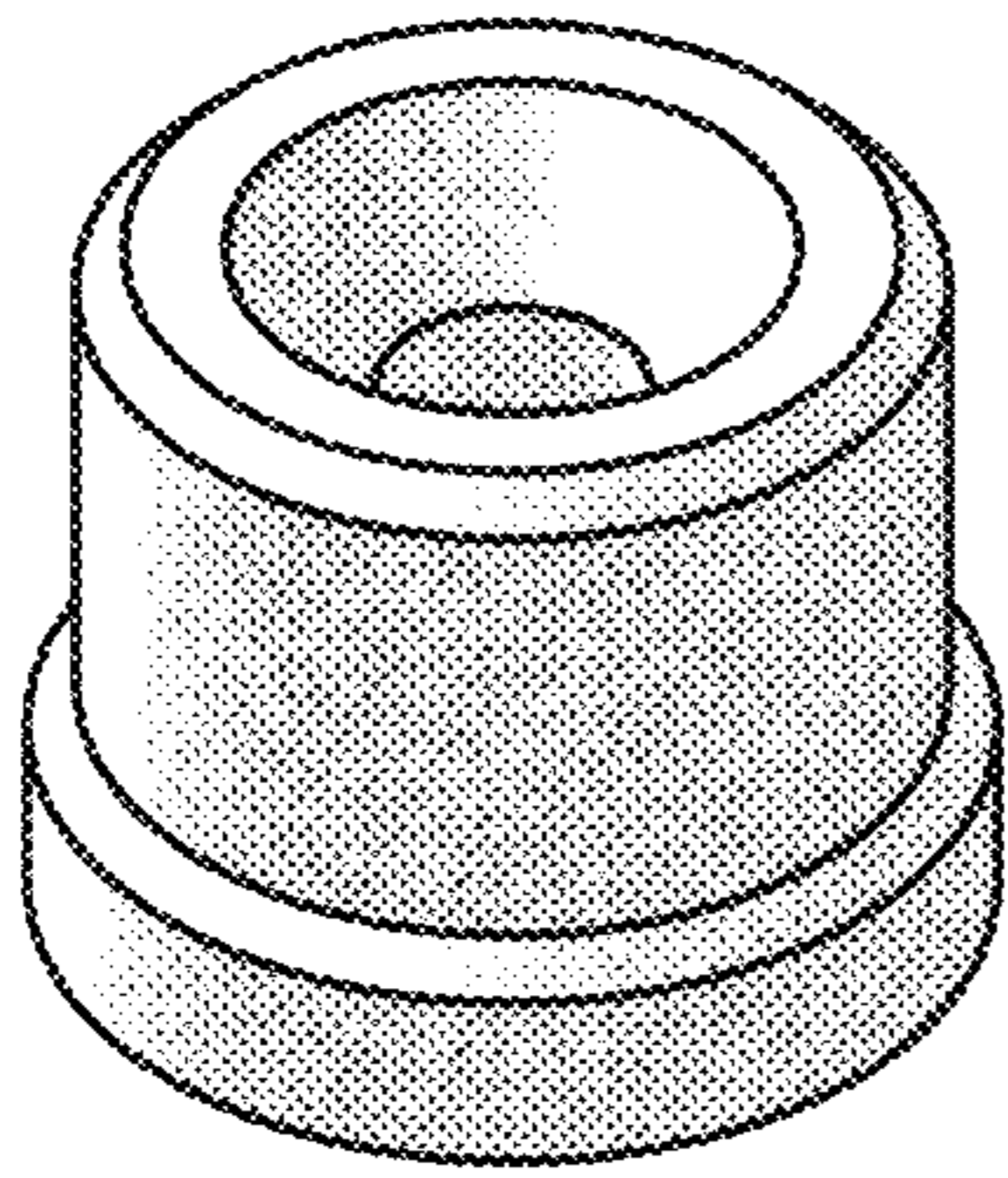


FIG. 1

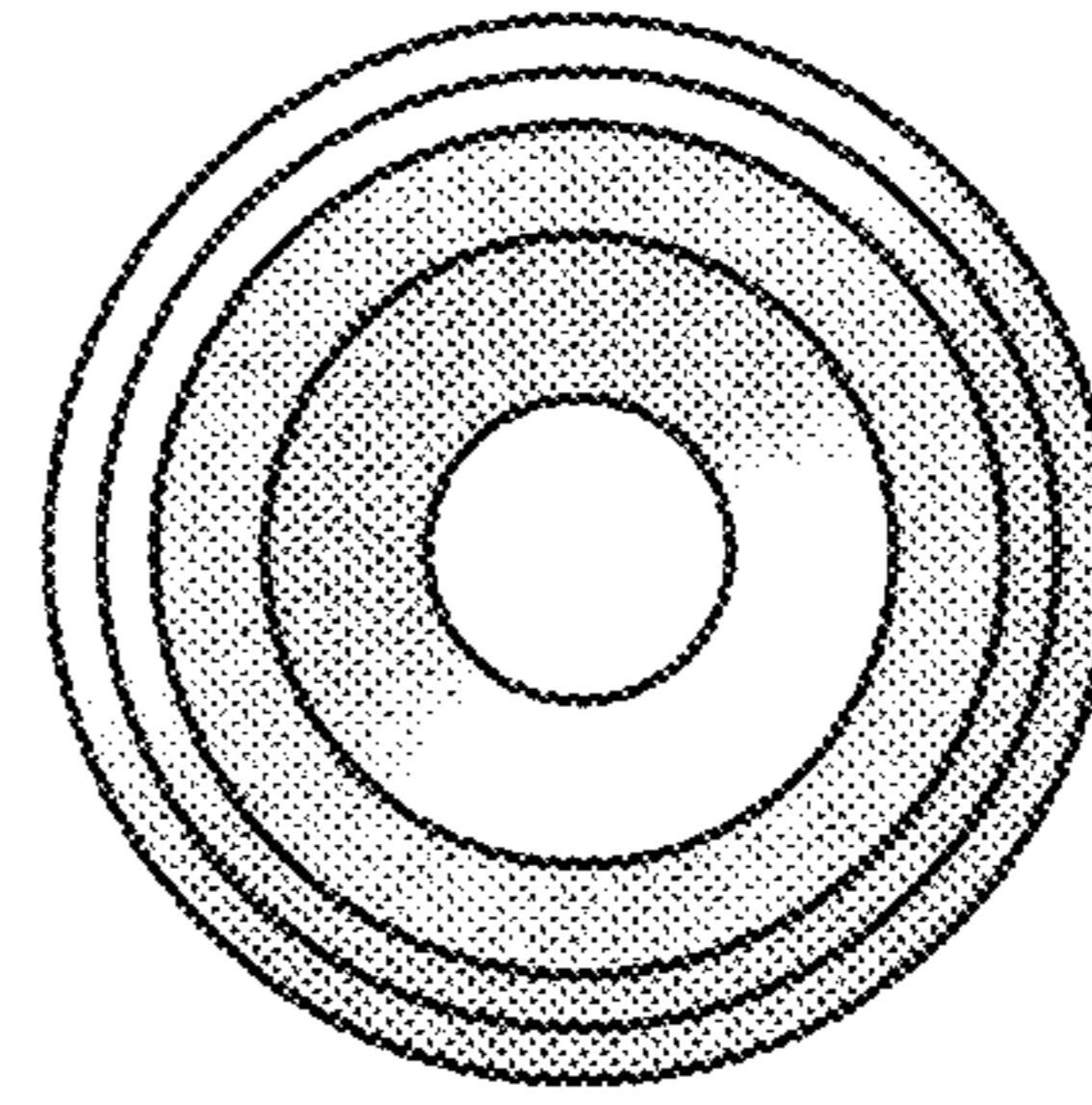


FIG. 2

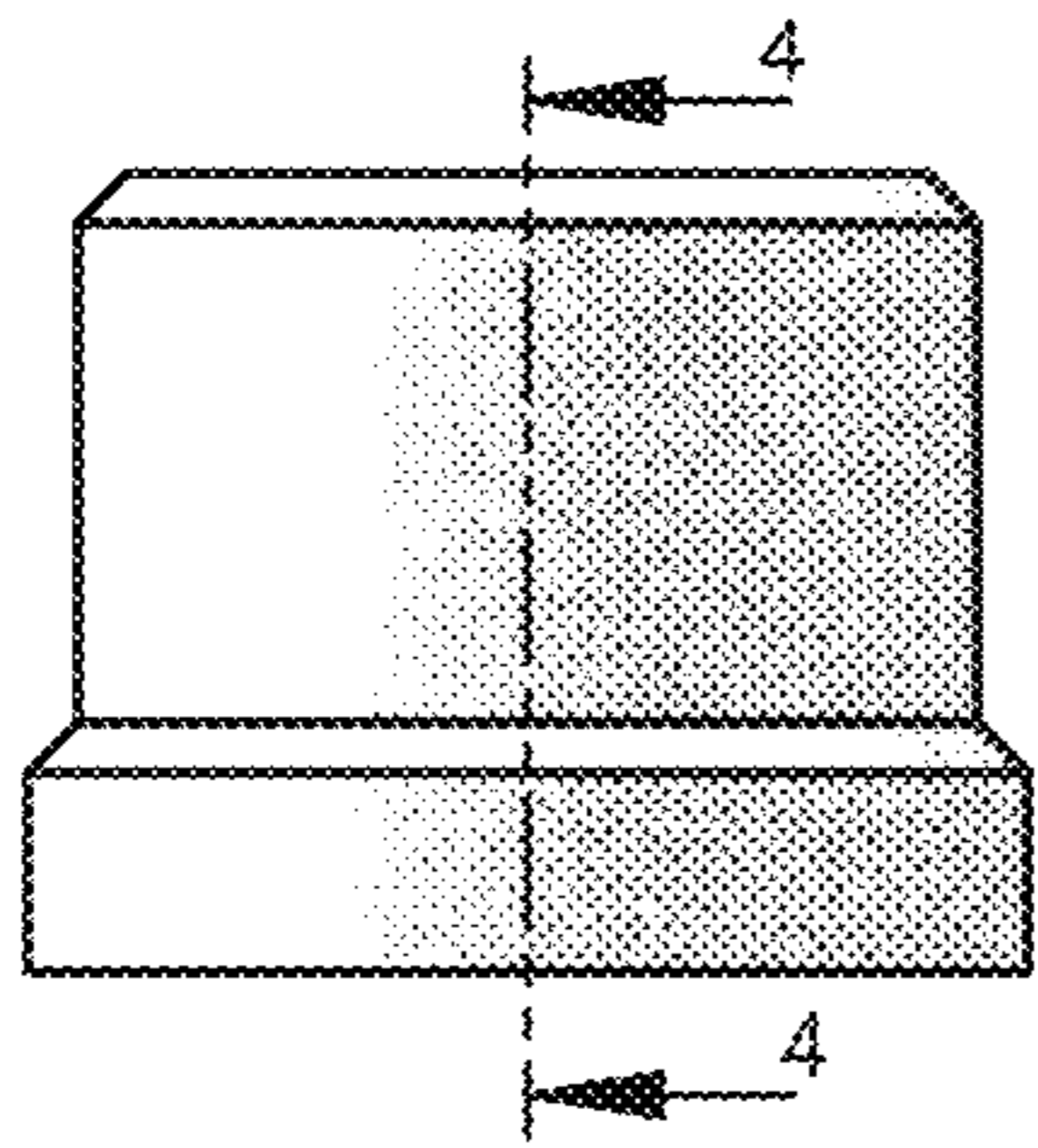


FIG. 3

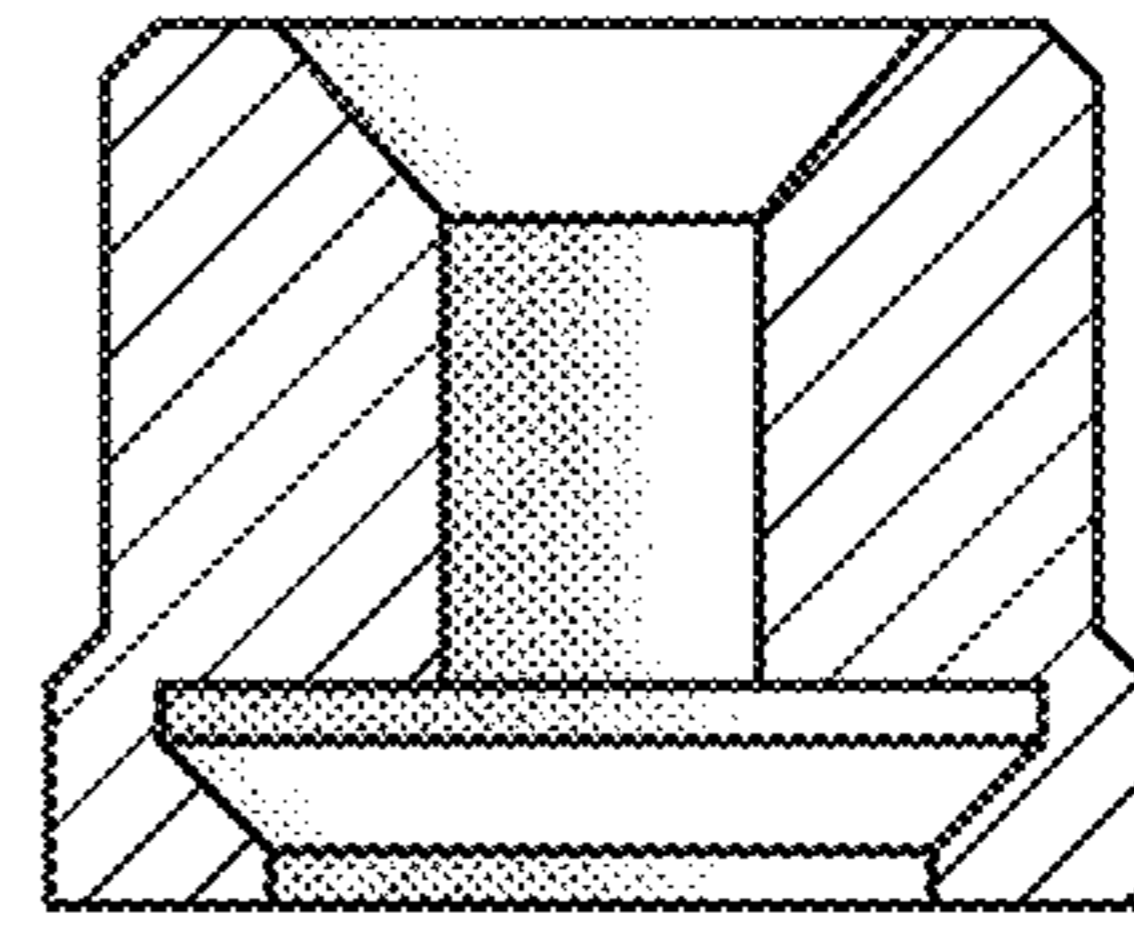


FIG. 4

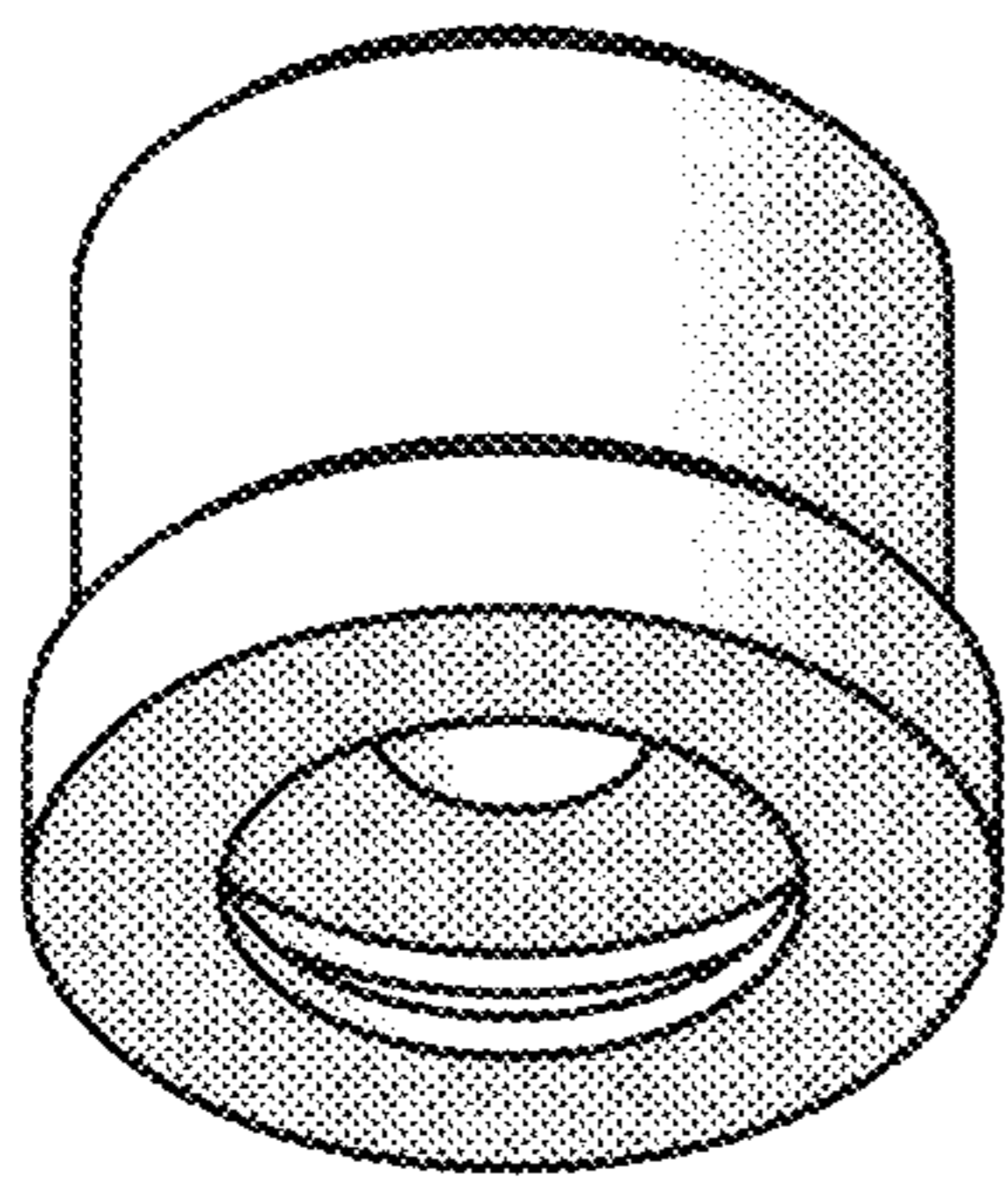


FIG. 5

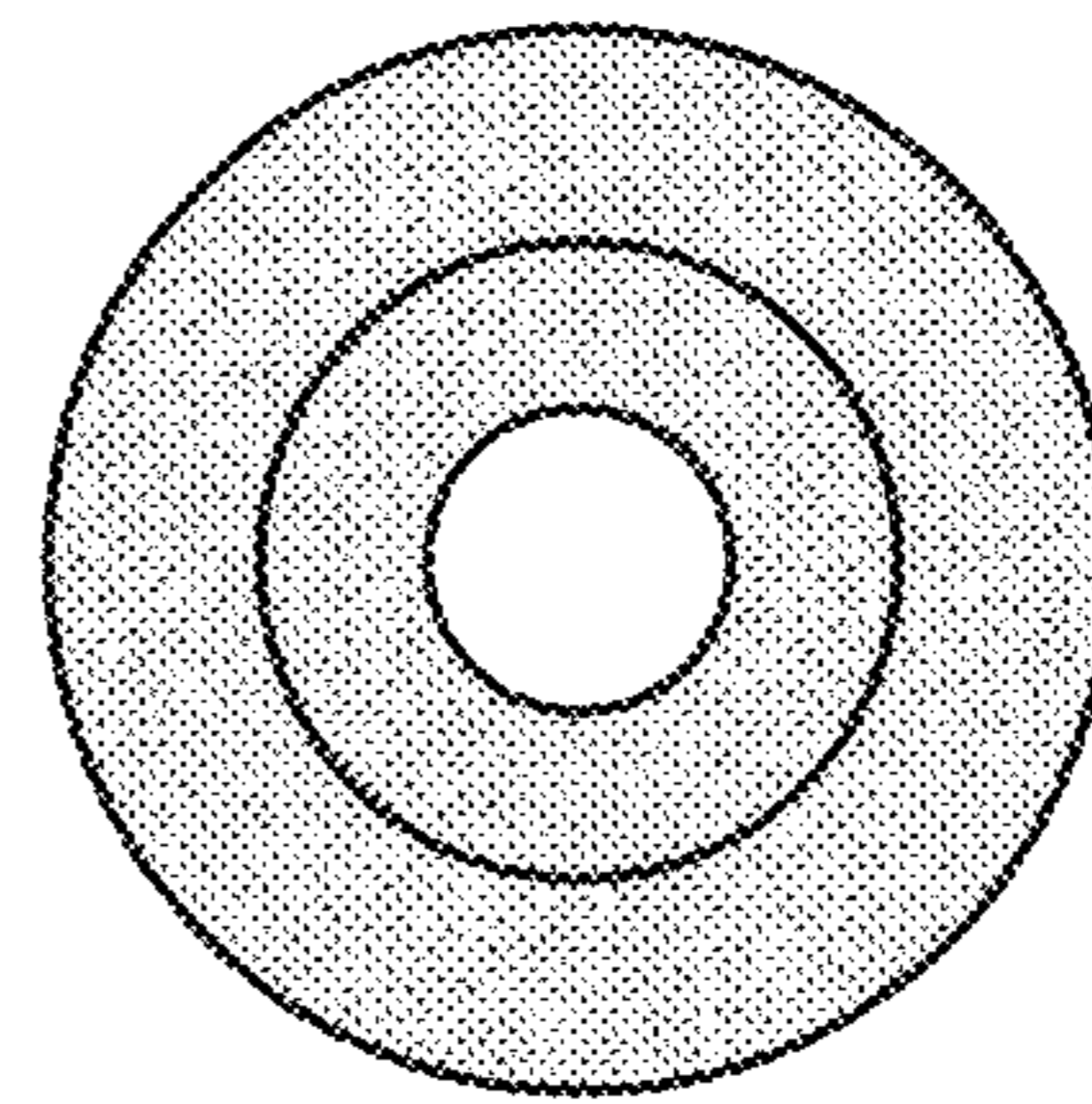


FIG. 6