



US00D799937S

(12) **United States Design Patent** (10) **Patent No.:** **US D799,937 S**
Karol et al. (45) **Date of Patent:** **** Oct. 17, 2017**

(54) **BRACKET**

D556,842 S * 12/2007 Webber D21/694
D666,133 S * 8/2012 In D12/223
D732,932 S * 6/2015 Ng D8/354

(71) Applicant: **DEKA Products Limited Partnership,**
Manchester, NH (US)

(72) Inventors: **Daniel Scott Karol,** Southborough, MA
(US); **Jason Michael Overson,**
Manchester, NH (US)

(73) Assignee: **DEKA Products Limited Partnership,**
Manchester, NH (US)

(**) Term: **15 Years**

(21) Appl. No.: **29/553,516**

(22) Filed: **Feb. 2, 2016**

(51) **LOC (10) Cl.** **08-05**

(52) **U.S. Cl.**
USPC **D8/354**

(58) **Field of Classification Search**
USPC D8/354; 160/321, 323 A, 323.1;
248/267, 268
CPC ... E02D 27/02; E04B 2005/322; E04G 11/06;
E04G 11/36
See application file for complete search history.

(56) **References Cited**

U.S. PATENT DOCUMENTS

1,101,324 A * 6/1914 Parker E06B 9/50
248/267
D442,539 S * 5/2001 Nickel D12/223
D528,951 S * 9/2006 Oben D12/180

OTHER PUBLICATIONS

VersaFrame Gussets and Mounts (18 choices)—VEX Robotics,
<http://www.vexrobotics.com/versaframegussetsandmounts.html>,
Innovation First International, Inc. Copyright (c) 2002-2016.

* cited by examiner

Primary Examiner — George D Kirschbaum

Assistant Examiner — Maria Edwards

(74) *Attorney, Agent, or Firm* — Kathleen Chapman

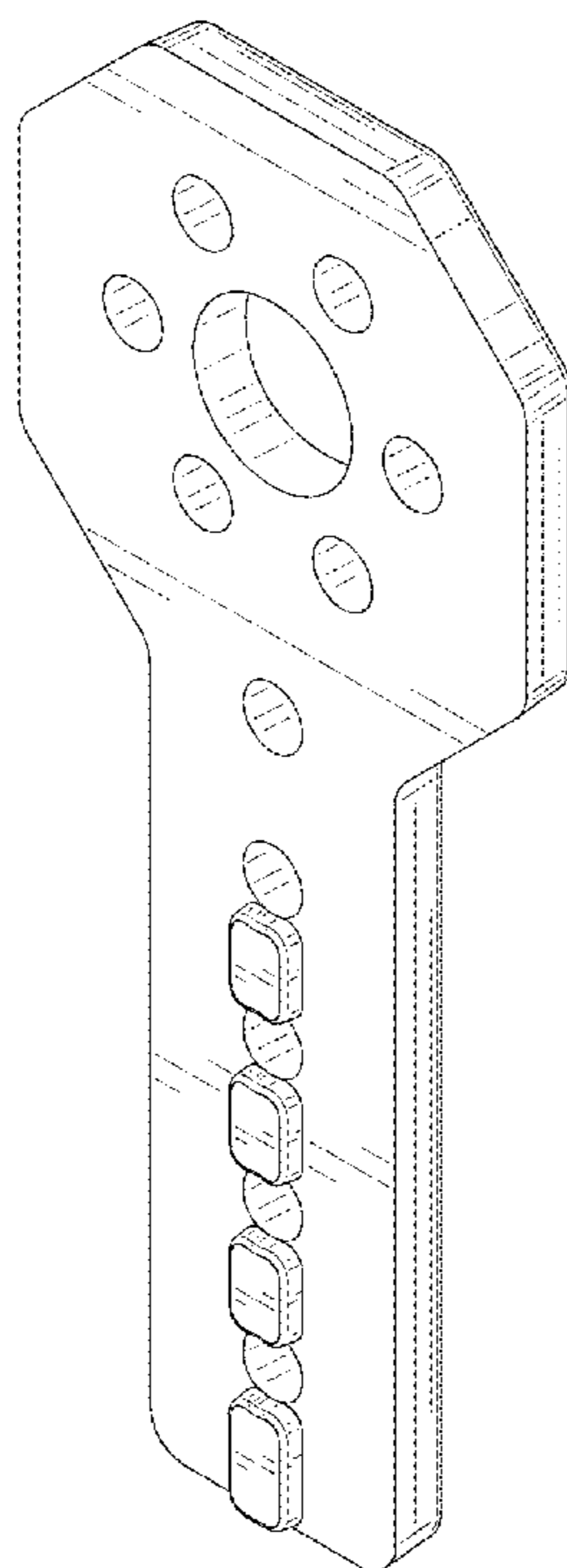
(57) **CLAIM**

The ornamental design for a bracket, as shown and described.

DESCRIPTION

FIG. 1 is a front, top, right side perspective view of the bracket, showing our new design;
FIG. 2 is a front side elevational view thereof;
FIG. 3 is a rear side elevational view thereof;
FIG. 4 is a left side elevational view thereof;
FIG. 5 is a right side elevational view thereof;
FIG. 6 is a top plan view thereof; and,
FIG. 7 is a bottom plan view thereof.
The ornamental design which is claimed is shown in solid lines in the drawings. Any broken lines in the drawings are for illustrative purposes only and form no part of the claimed design.

1 Claim, 5 Drawing Sheets



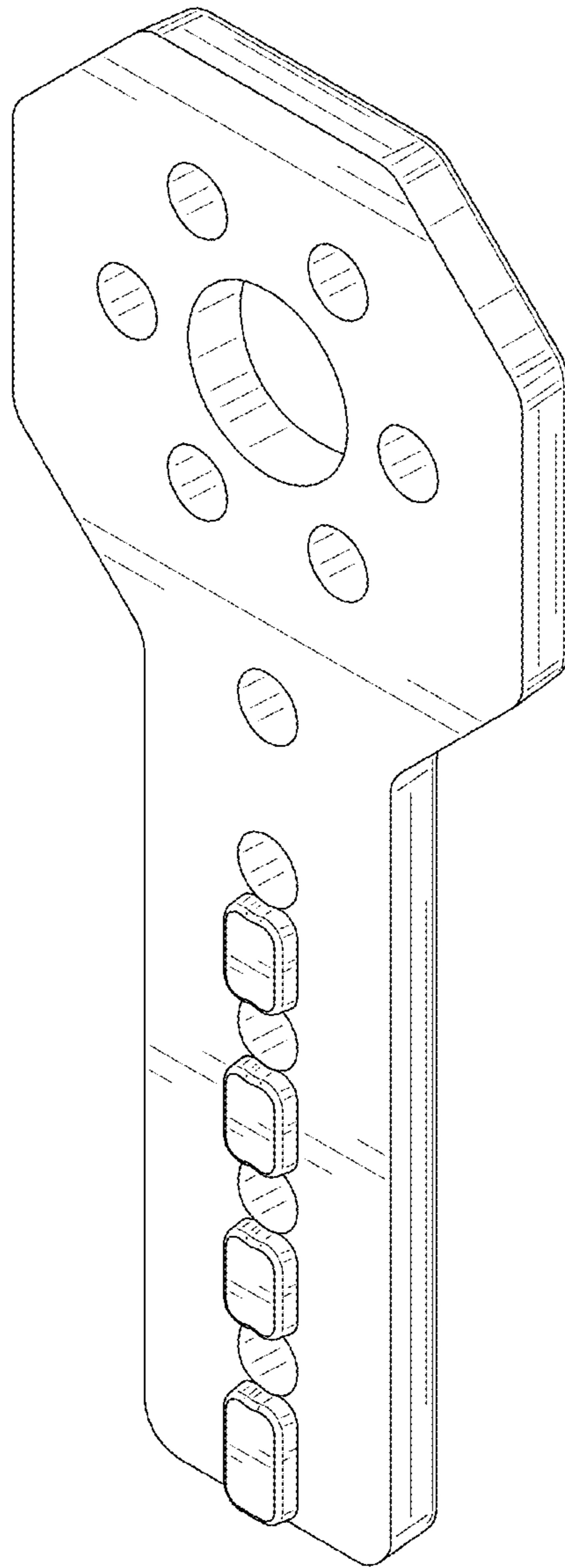


FIG. 1

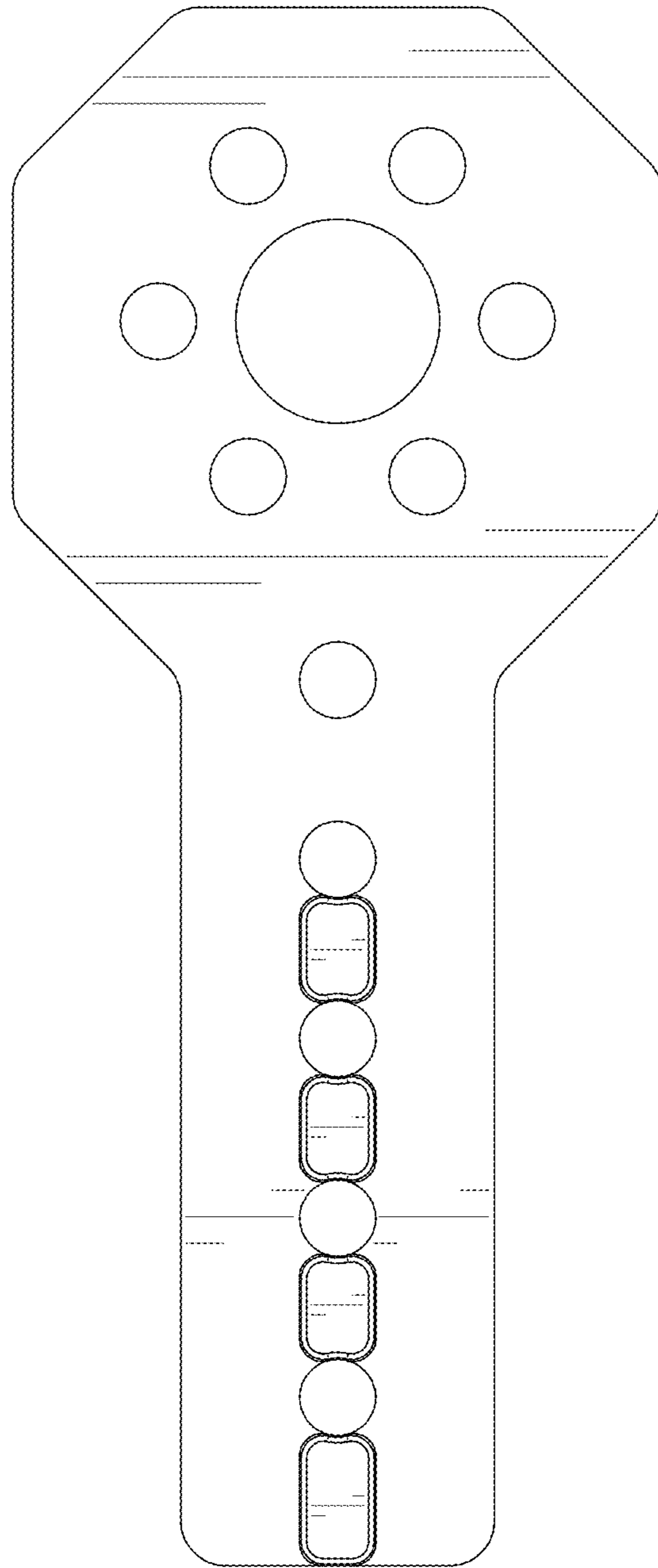


FIG. 2

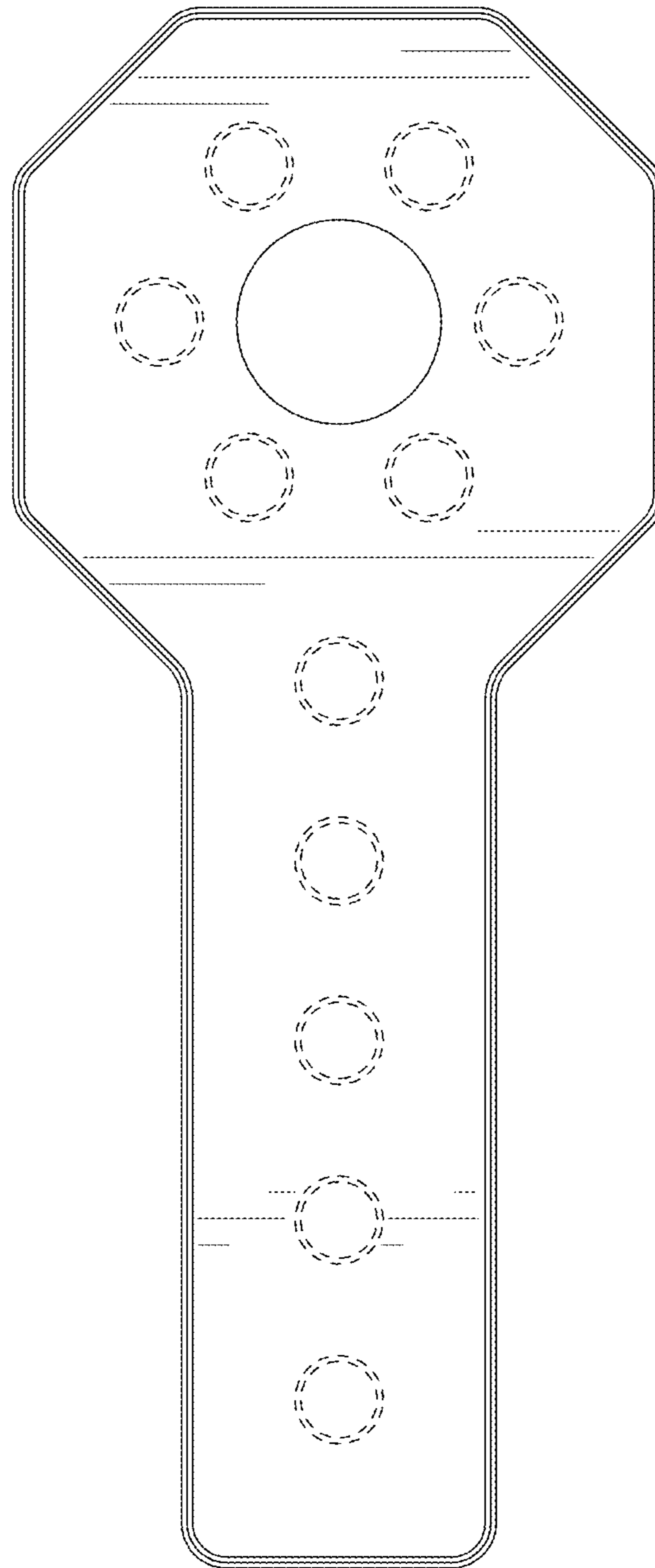


FIG. 3

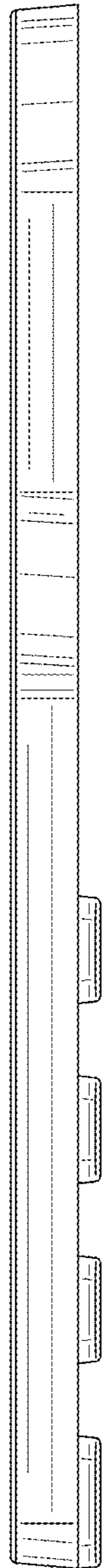


FIG. 4

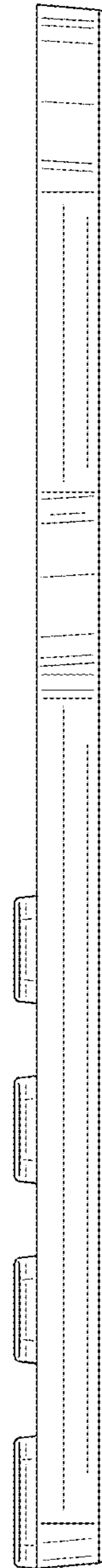


FIG. 5

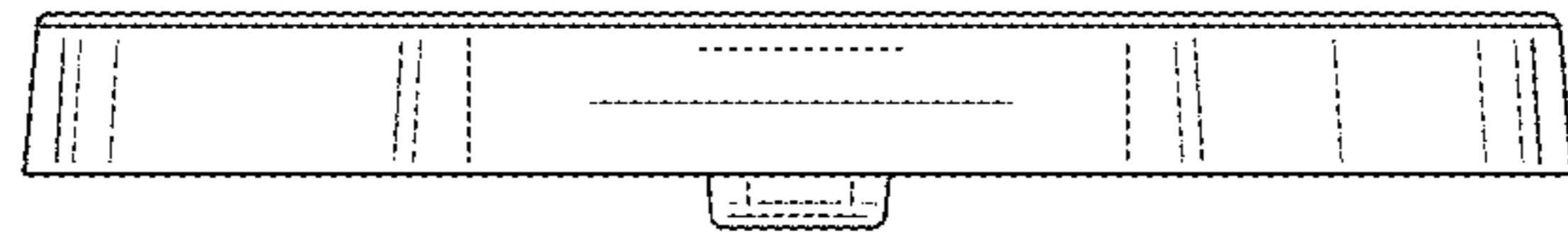


FIG. 6

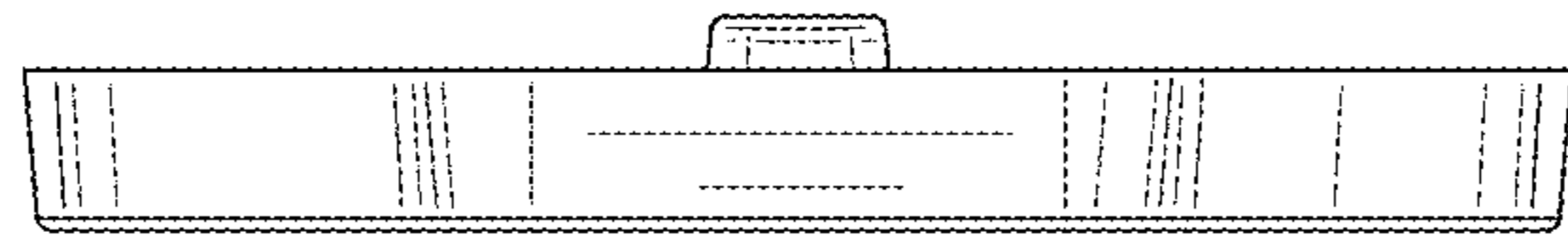


FIG. 7