



US00D799936S

(12) **United States Design Patent**
Calle

(10) **Patent No.:** **US D799,936 S**

(45) **Date of Patent:** **** Oct. 17, 2017**

(54) **GUIDE**

(71) Applicant: **Lisa H. Calle**, Pottstown, PA (US)

(72) Inventor: **Lisa H. Calle**, Pottstown, PA (US)

(**) Term: **14 Years**

(21) Appl. No.: **29/523,991**

(22) Filed: **Apr. 15, 2015**

(51) **LOC (10) Cl.** **08-05**

(52) **U.S. Cl.**
USPC **D8/354**

(58) **Field of Classification Search**
USPC D8/354; D10/61, 64, 71
CPC A61B 17/3403; A61B 17/0841
See application file for complete search history.

(56) **References Cited**

U.S. PATENT DOCUMENTS

D139,083	S	*	10/1944	Macht	33/565
2,507,073	A	*	5/1950	White	G01G 19/002 177/251
4,524,522	A	*	6/1985	Perry	A41H 3/002 33/11
4,760,624	A	*	8/1988	Fish	B25B 9/00 24/30.5 S
D314,641	S	*	2/1991	Weigel	D10/64
D359,615	S	*	6/1995	Broy	D3/18
D369,756	S	*	5/1996	Noel	D10/64
D384,297	S	*	9/1997	Paynes	D10/64

D398,864	S	*	9/1998	Dietterich	D10/62
D490,729	S	*	6/2004	Chudek	D10/64
D604,589	S	*	11/2009	Johansson	D8/356
D634,893	S	*	3/2011	Brown	D28/10
D639,684	S	*	6/2011	Essel	D10/64
8,238,666	B2	*	8/2012	Besley	G06K 9/00456 382/203
8,783,267	B2	*	7/2014	Allen	A45D 24/36 132/213
9,617,682	B2	*	4/2017	Pelland	D06H 7/00
D785,472	S	*	5/2017	Jack	D10/64
D788,570	S	*	6/2017	Calle	D8/354

* cited by examiner

Primary Examiner — Lakiya Rogers
Assistant Examiner — Harold E Blackwell, II
(74) *Attorney, Agent, or Firm* — Baker Hostetler LLP

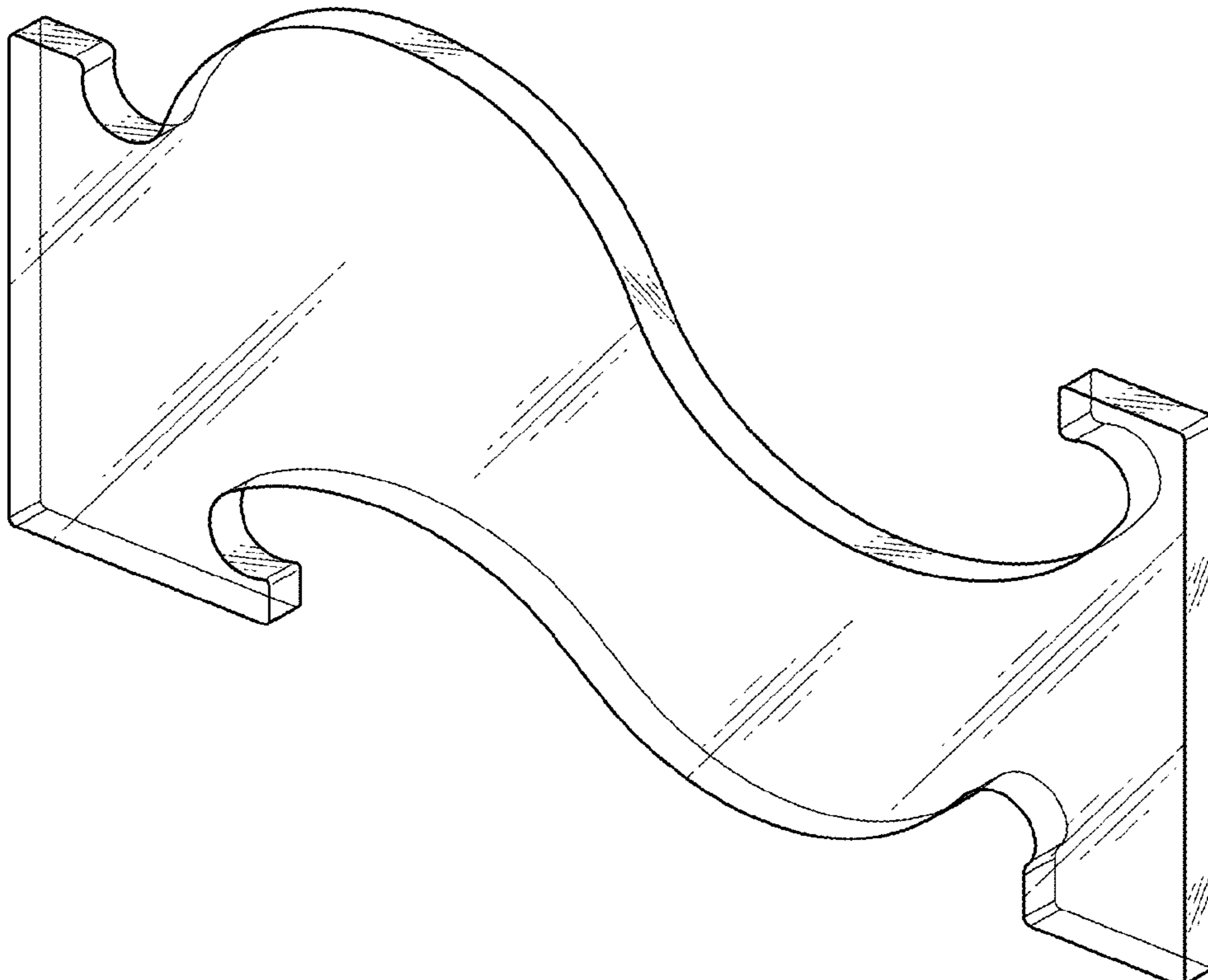
(57) **CLAIM**

I claim the ornamental design for a guide, as shown and described.

DESCRIPTION

FIG. 1 is a perspective view of a guide according to my new design;
FIG. 2 is a front elevation view thereof;
FIG. 3 a back elevation view thereof;
FIG. 4 is a left side elevation view thereof;
FIG. 5 is a right side elevation view thereof;
FIG. 6 is a top plan view thereof; and,
FIG. 7 is a bottom plan view thereof.

1 Claim, 2 Drawing Sheets



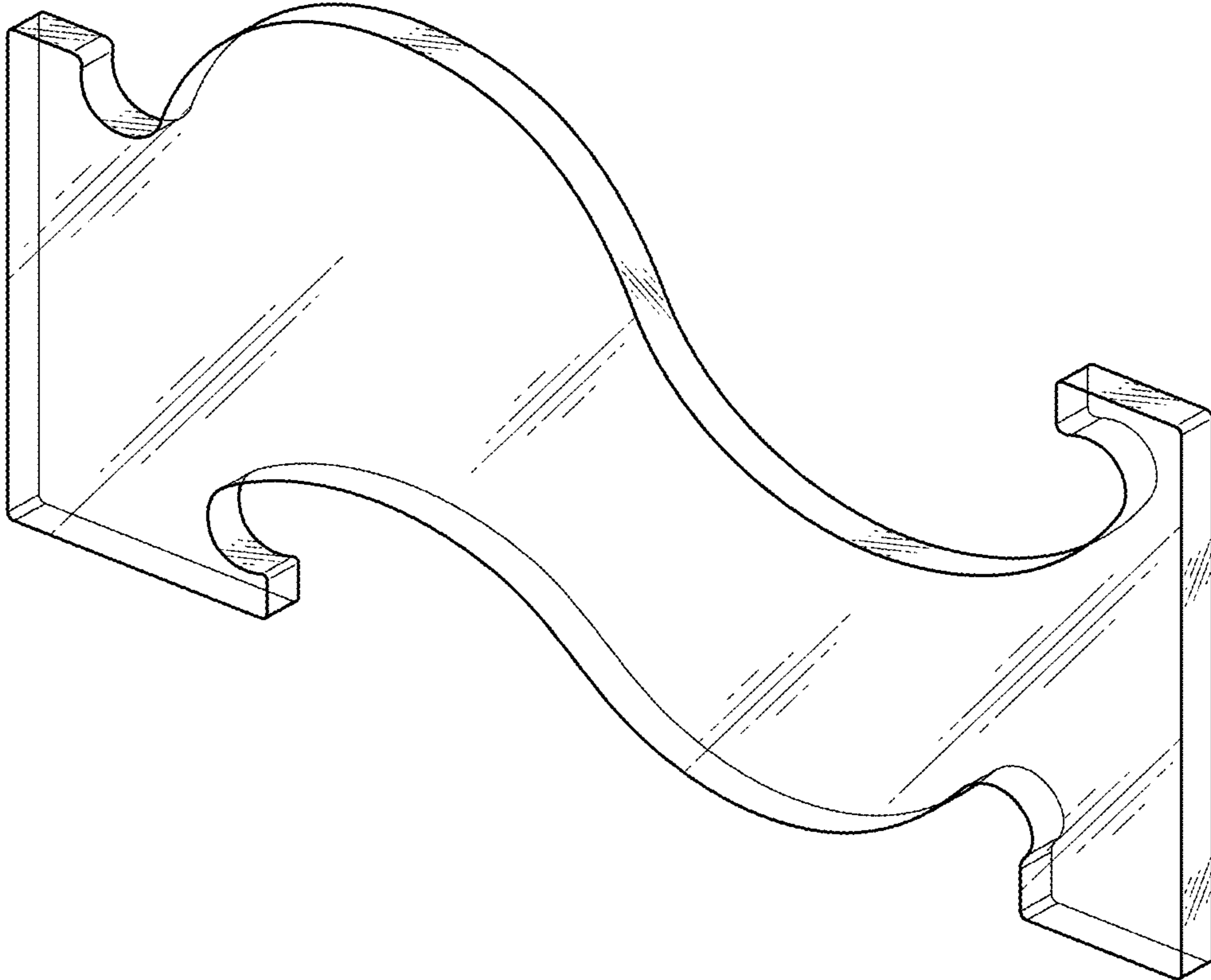


FIG. 1

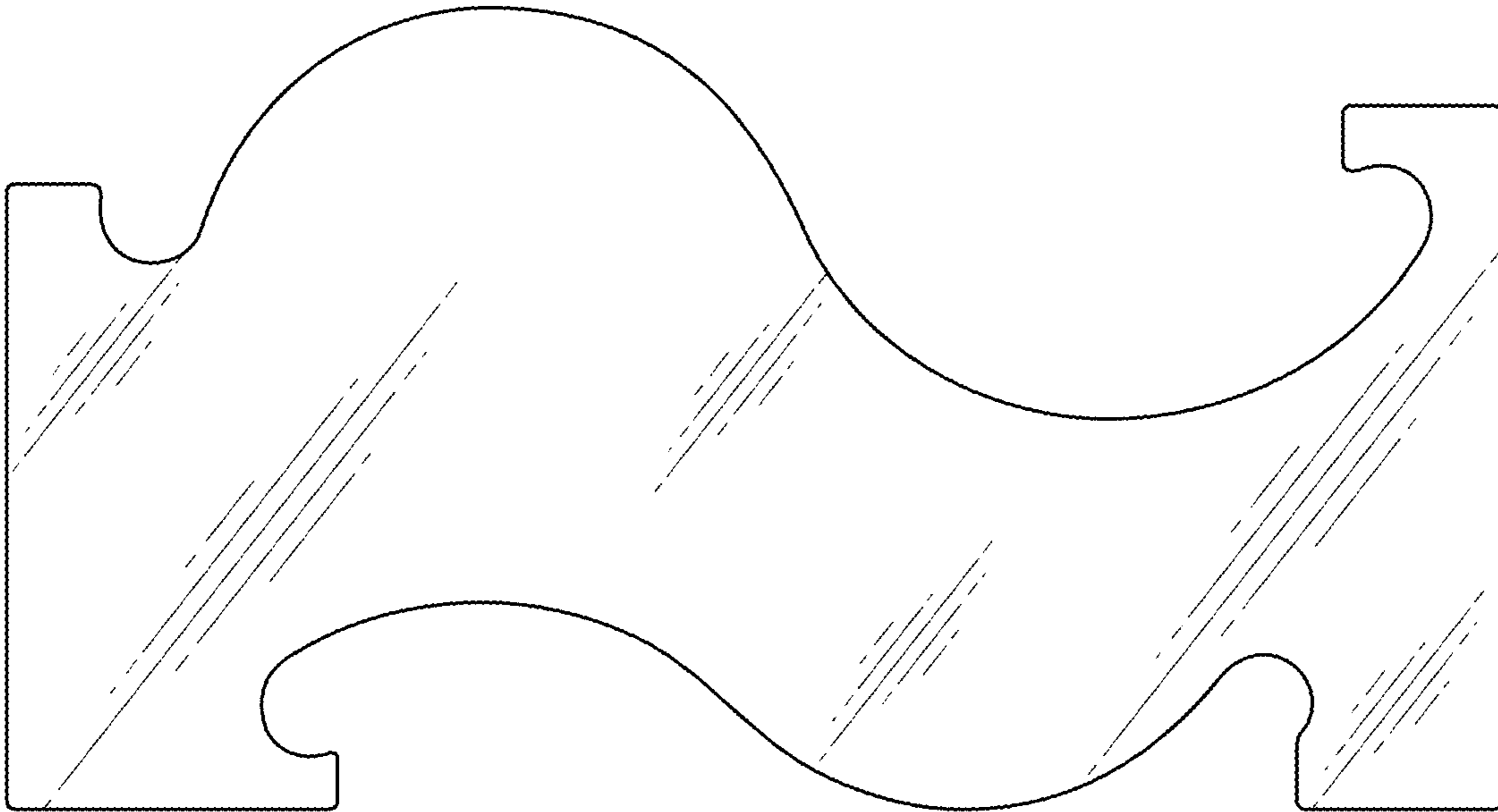


FIG. 2

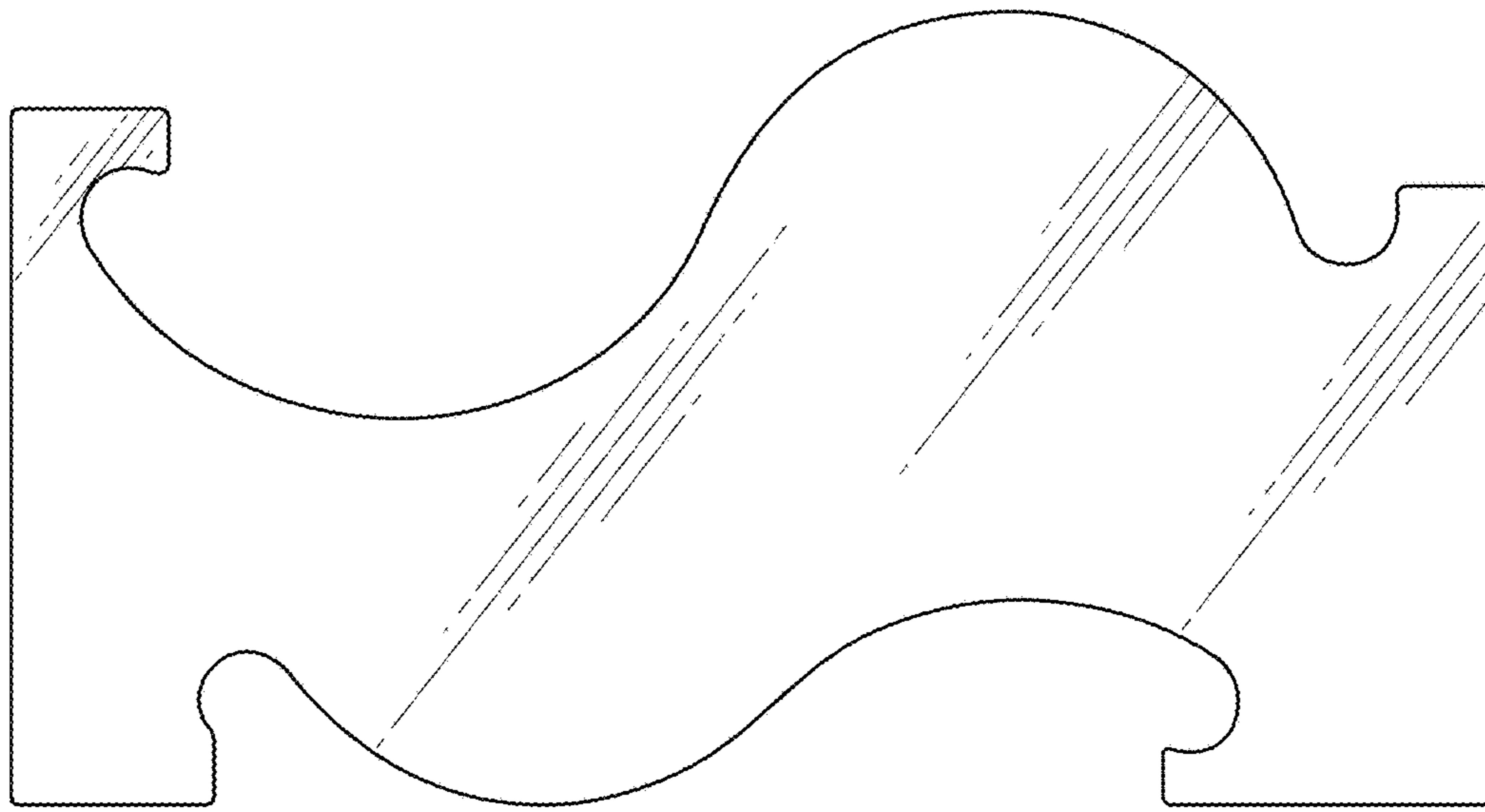


FIG. 3



FIG. 4



FIG. 5



FIG. 6

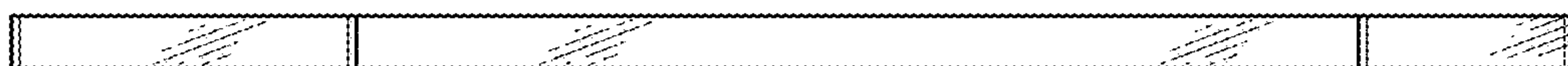


FIG. 7