



US00D799935S

(12) **United States Design Patent**
Rashidi Doust

(10) **Patent No.:** **US D799,935 S**

(45) **Date of Patent:** **** Oct. 17, 2017**

- (54) **DISC**
- (71) Applicant: **ELITE LIGHTING**, Commerce, CA (US)
- (72) Inventor: **Hamid Rashidi Doust**, Beverly Hills, CA (US)
- (73) Assignee: **Elite Lighting**, Commerce, CA (US)
- (**) Term: **14 Years**
- (21) Appl. No.: **29/523,388**
- (22) Filed: **Apr. 9, 2015**
- (51) **LOC (10) Cl.** **08-05**
- (52) **U.S. Cl.**
USPC **D8/354**
- (58) **Field of Classification Search**
USPC D8/48, 71, 315–322, 354–355, 378–381,
D8/400–499; D12/420, 223;
D25/119–125, 199
CPC A61B 1/00; A61B 17/00; A61B 2217/00;
A61B 2218/00; H02G 1/00; H02G
2200/00; A47F 1/00
See application file for complete search history.

- D481,926 S * 11/2003 Englmayer D8/354
 - 6,931,745 B2 * 8/2005 Granger H01R 35/04
33/1 PT
 - D542,628 S * 5/2007 Brassard D8/354
 - 7,296,979 B2 * 11/2007 Raab B25B 11/005
248/205.8
 - D559,657 S * 1/2008 Wohlford D8/354
 - 7,320,536 B2 1/2008 Petrakis
 - 7,670,033 B2 3/2010 Steer
 - D636,118 S * 4/2011 Kim D26/138
- (Continued)

FOREIGN PATENT DOCUMENTS

- EP 2484968 8/2012
- GB 2270936 3/1994

(Continued)

OTHER PUBLICATIONS

U.S. Appl. No. 14/555,029, filed Nov. 2014, entitled “Downlight Firestop.”

Primary Examiner — Lakiya Rogers
Assistant Examiner — Harold E Blackwell, II
(74) *Attorney, Agent, or Firm* — Payam Moradian

(56) **References Cited**

U.S. PATENT DOCUMENTS

- 3,136,206 A * 6/1964 Adams F16B 39/24
411/546
- 4,174,532 A * 11/1979 Kelley A45B 3/04
362/102
- D263,927 S * 4/1982 Dewey 411/531
- D272,392 S * 1/1984 Bigelow 280/86.753
- 4,784,046 A * 11/1988 Gautier B60T 13/5675
248/222.41
- 5,918,707 A * 7/1999 Saunders, III B60B 3/145
188/18 A
- 6,105,334 A 8/2000 Monson
- 6,209,147 B1 * 4/2001 Wheaton E04H 4/14
248/534
- 6,226,939 B1 5/2001 Atkins

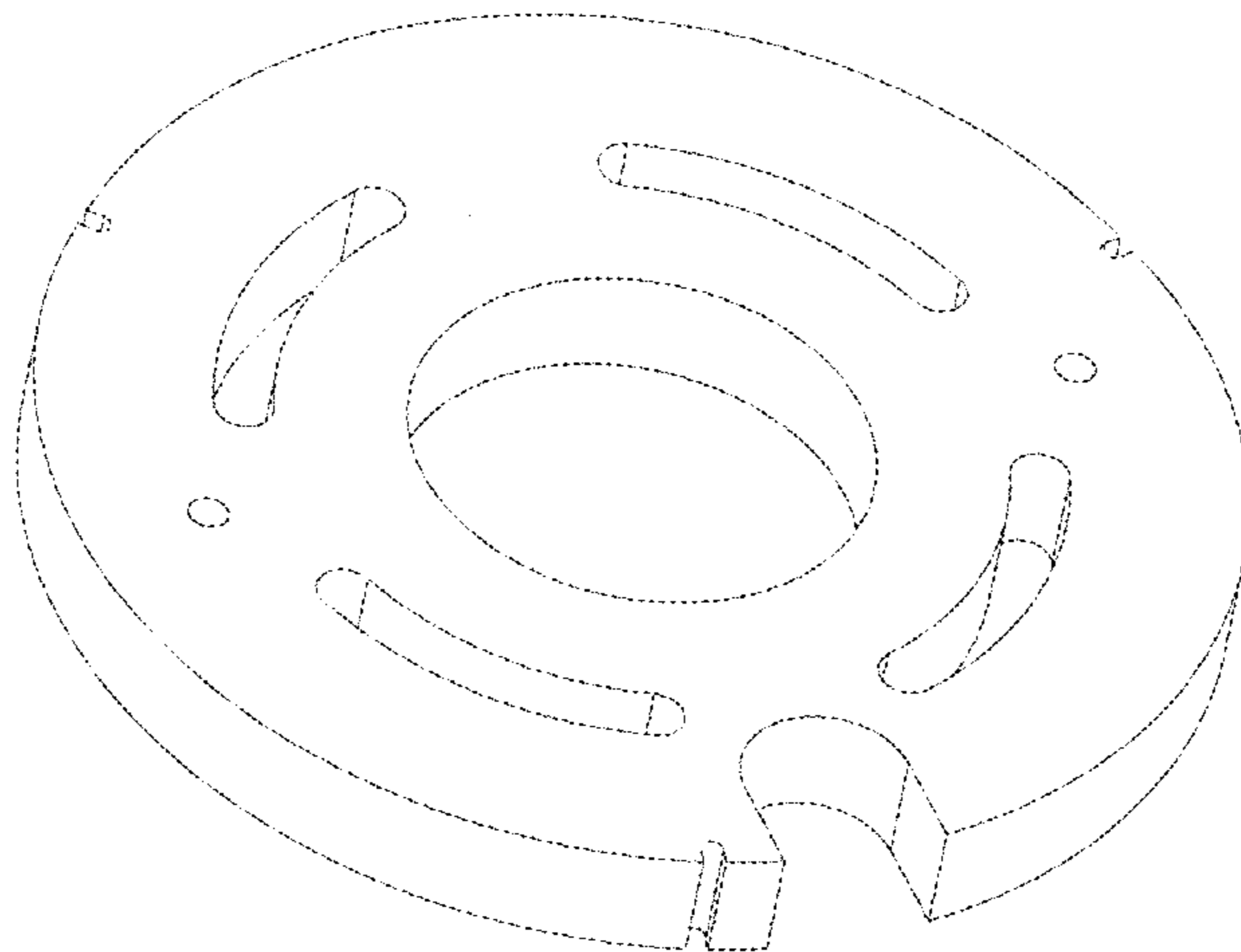
(57) **CLAIM**

The ornamental design for a disc, as shown.

DESCRIPTION

FIG. 1 is a top perspective view of the disc;
FIG. 2 is a bottom perspective bottom view thereof;
FIG. 3 is a top plan view thereof;
FIG. 4 is a bottom plan view thereof;
FIG. 5 is a left elevation view thereof;
FIG. 6 is a right elevation view thereof;
FIG. 7 is a rear elevation view thereof; and,
FIG. 8 is a front elevation view thereof.

1 Claim, 8 Drawing Sheets



(56)

References Cited

U.S. PATENT DOCUMENTS

D676,309 S * 2/2013 Bailey D8/354
D734,129 S * 7/2015 Allen D8/354
D747,245 S * 1/2016 Nosworthy D12/180
D751,238 S * 3/2016 Siuvatti D26/113
9,512,994 B2 * 12/2016 Rashidi Doust F21V 25/125
D791,394 S * 7/2017 Rashidi Doust D26/113
D791,395 S * 7/2017 Rashidi Doust D26/113

FOREIGN PATENT DOCUMENTS

GB 2415245 12/2005
GB 254449 5/2009

* cited by examiner

Figure 1

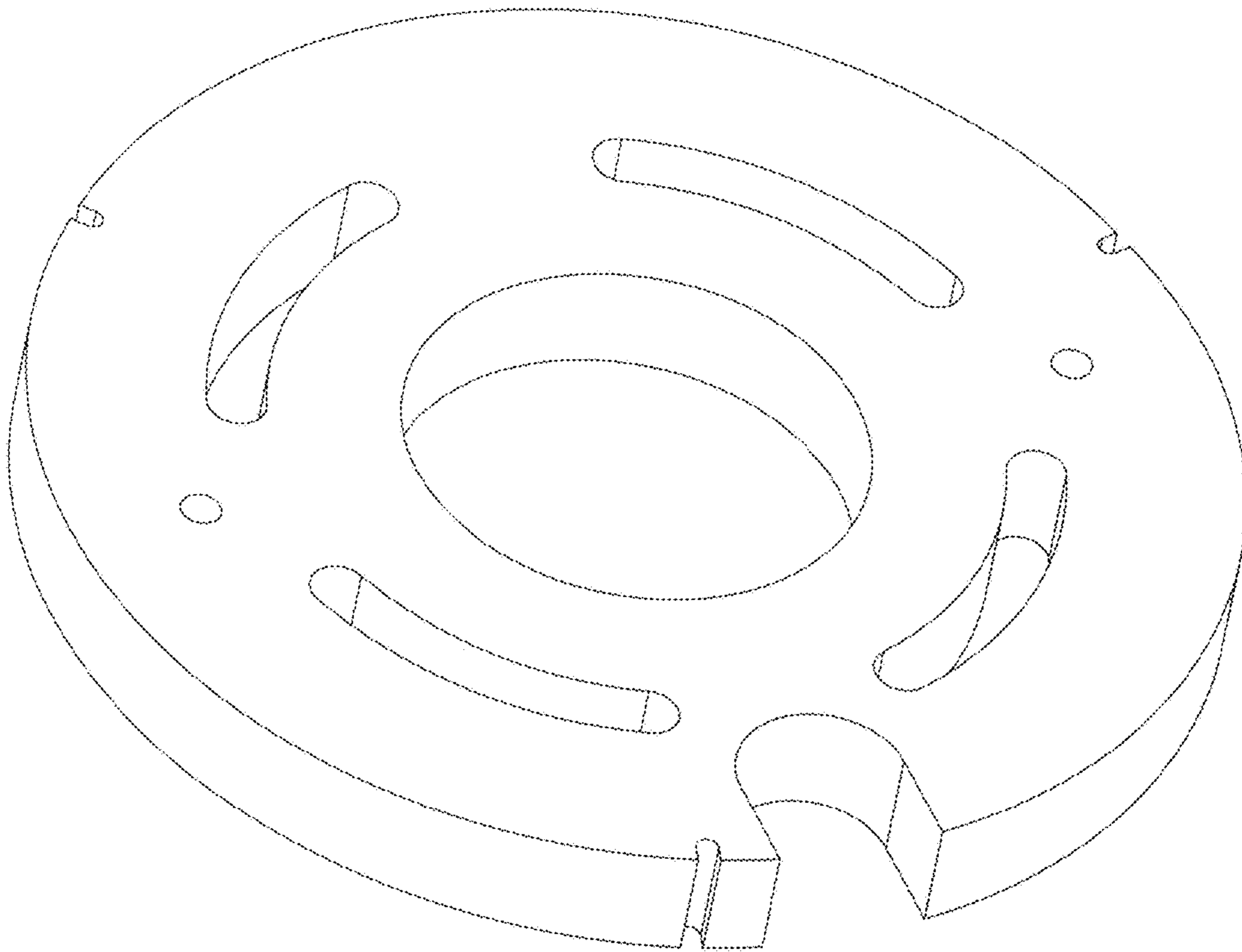


Figure 2

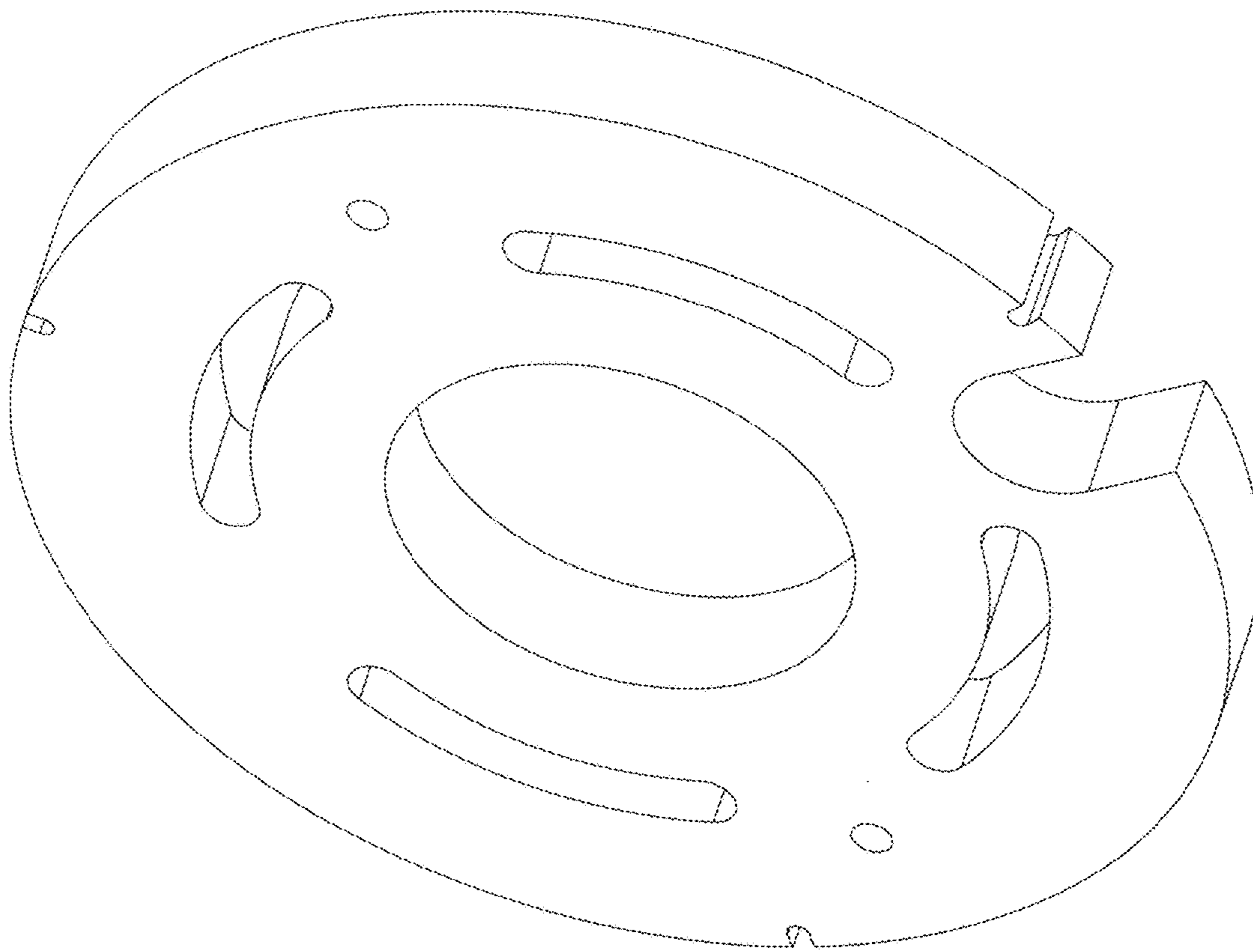


Figure 3

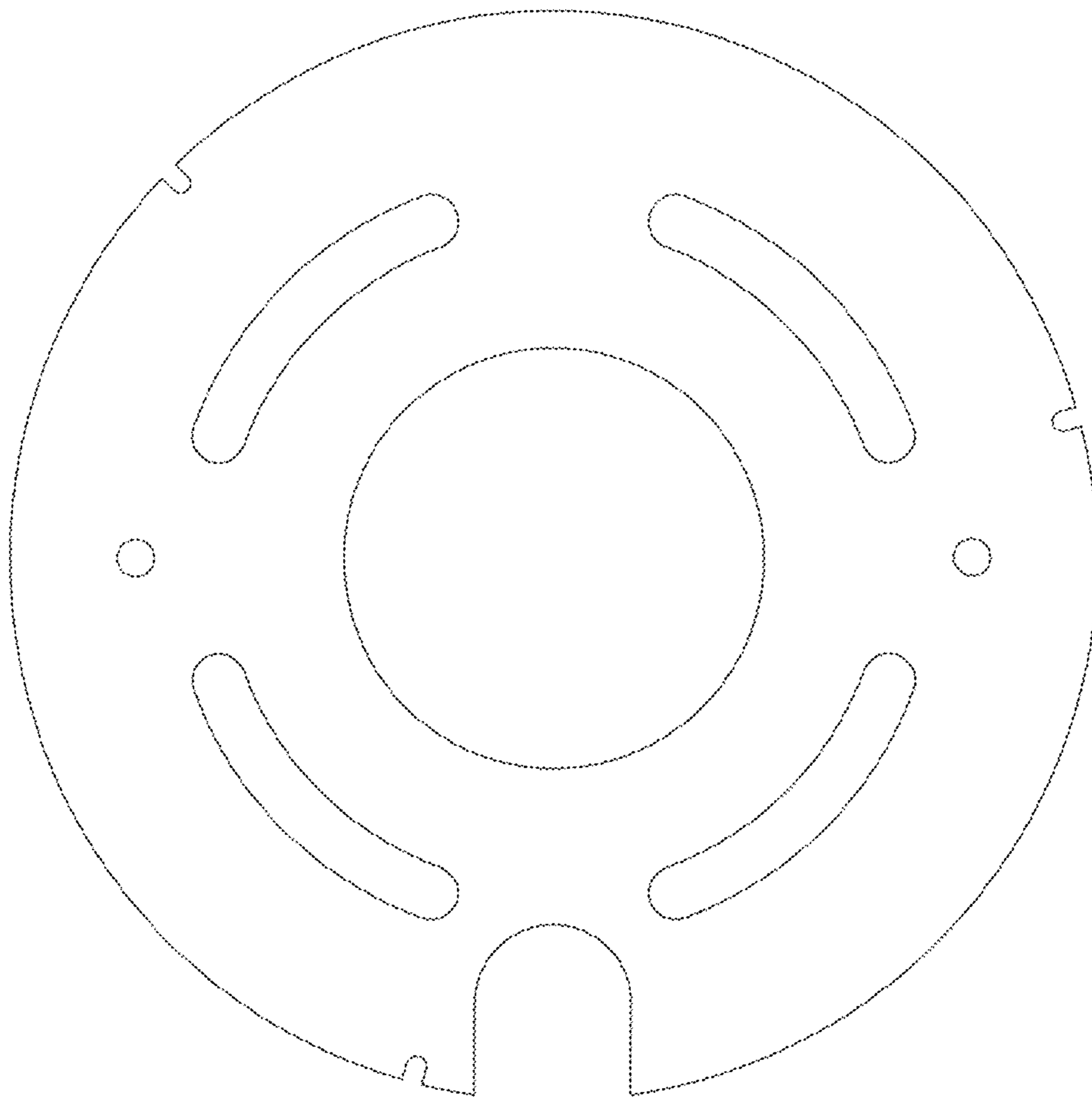


Figure 4

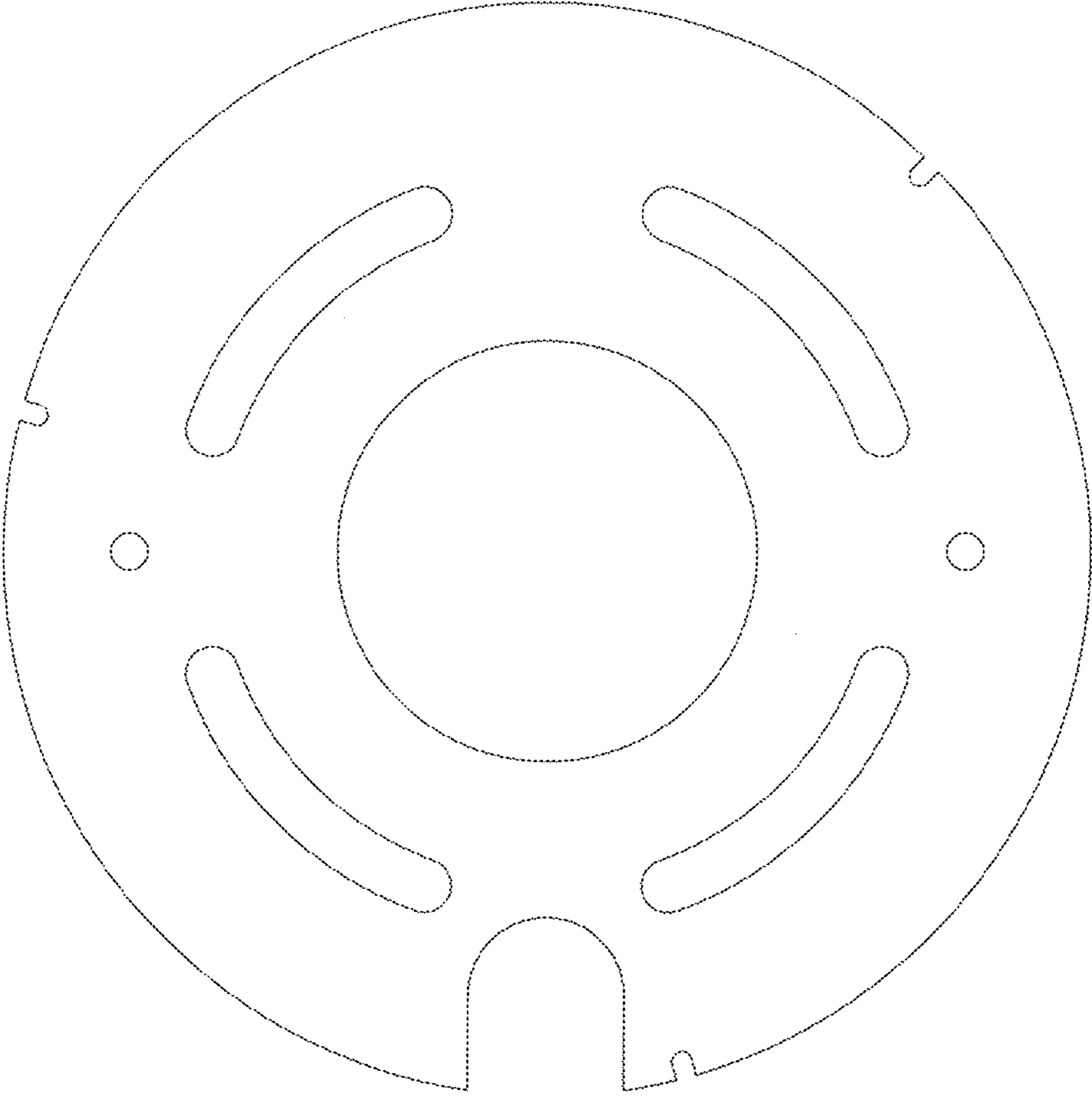


Figure 5

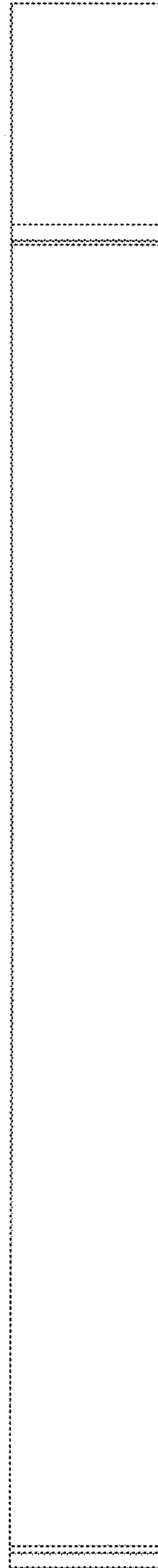


Figure 6

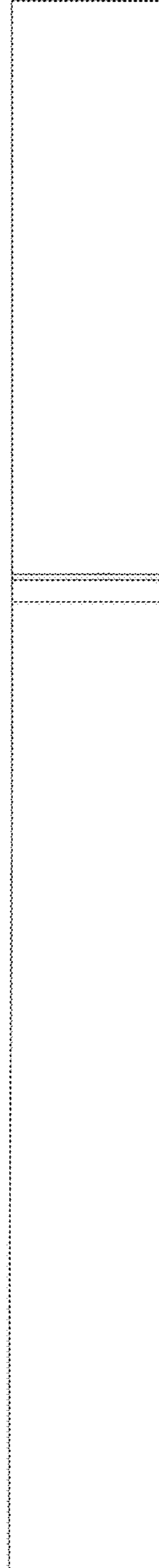


Figure 7



Figure 8

