



US00D799932S

(12) **United States Design Patent**
Groten et al.

(10) **Patent No.:** **US D799,932 S**

(45) **Date of Patent:** **** Oct. 17, 2017**

(54) **TOOL HANDLE**

(71) Applicant: **Orbis Will GmbH & Co., KG**, Ahaus (DE)

(72) Inventors: **Andreas H. Groten**, Ahaus (DE);
Markus Jepping, Ahaus-Alstatte (DE)

(73) Assignee: **Orbis Will GmbH & Co. KG**. (DE)

(**) Term: **15 Years**

(21) Appl. No.: **29/571,180**

(22) Filed: **Jul. 15, 2016**

(51) **LOC (10) Cl.** **08-05**

(52) **U.S. Cl.**
USPC **D8/105**

(58) **Field of Classification Search**
USPC D3/12; D7/395; D8/9, 14, 51, 52, 107,
D8/300, 303; D24/133; D32/52
CPC B26B 13/00; B26B 13/06; B26B 13/14;
B25G 1/102; B25G 1/10; Y10T 16/469
See application file for complete search history.

(56) **References Cited**

U.S. PATENT DOCUMENTS

D520,315 S * 5/2006 Deter D8/5
D523,723 S * 6/2006 Walker D8/107

D577,563 S * 9/2008 Chen D8/107
D579,745 S * 11/2008 Huang D8/107
D618,078 S * 6/2010 Cripps D8/52
D704,523 S * 5/2014 Sramek D8/52
D719,808 S * 12/2014 Musser D8/107
D760,042 S * 6/2016 Jenkins D8/107

* cited by examiner

Primary Examiner — Phillip S Hyder

(74) *Attorney, Agent, or Firm* — Jeffrey Joyce; Patricia Mathers

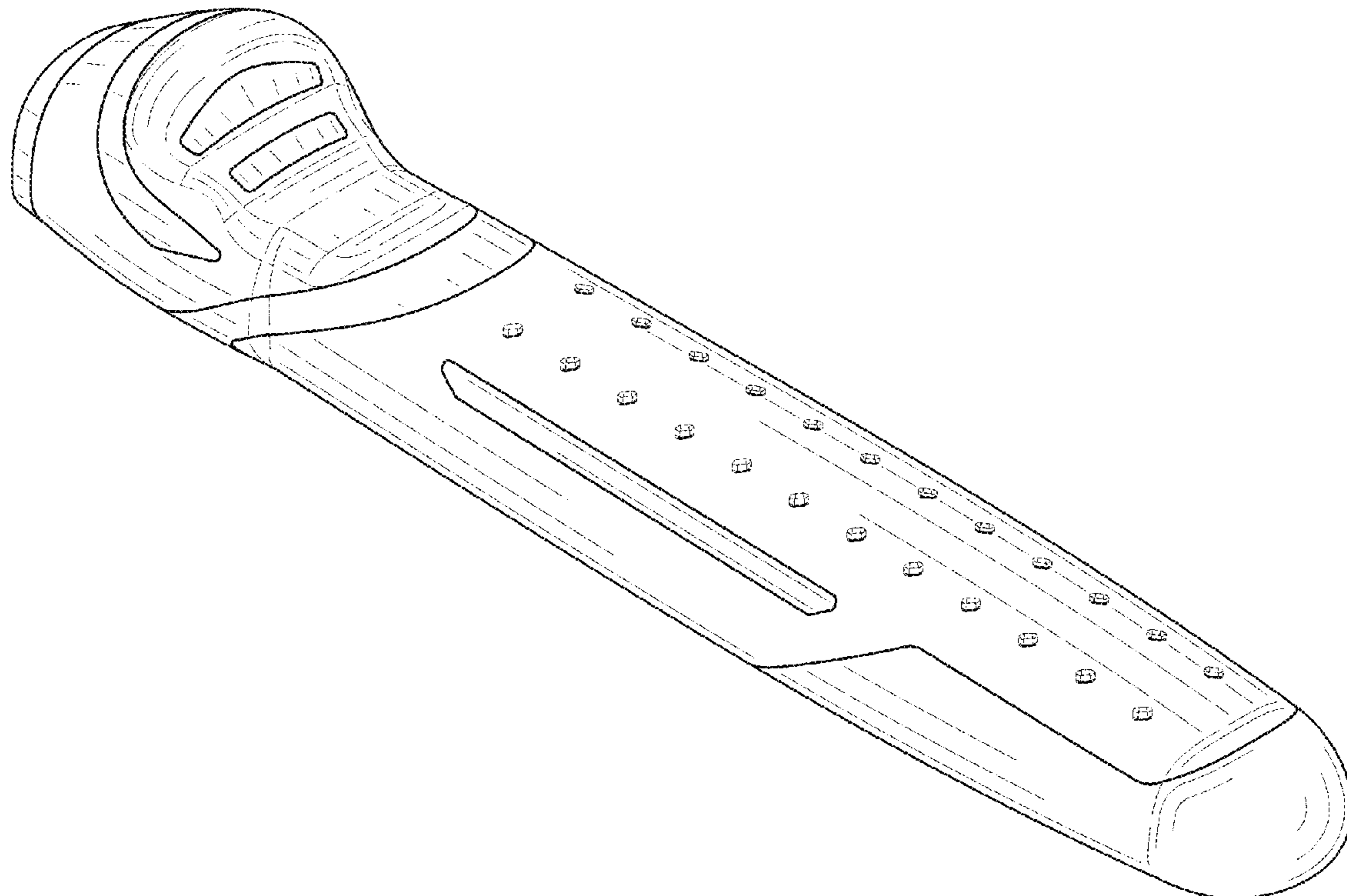
(57) **CLAIM**

The ornamental design for a tool handle, as shown and described.

DESCRIPTION

FIG. 1 is a top, front and right side view of a tool handle showing my new design;
FIG. 2 is a bottom rear and left side perspective view thereof;
FIG. 3 is a front elevation view thereof;
FIG. 4 is a right side elevation view thereof;
FIG. 5 is a left side elevation view thereof;
FIG. 6 is a top plan view thereof;
FIG. 7 is a bottom plan view thereof; and,
FIG. 8 is a top, rear and left side perspective view thereof.
The area at left end enclosed by a broken line forms no part of the claimed design.

1 Claim, 5 Drawing Sheets



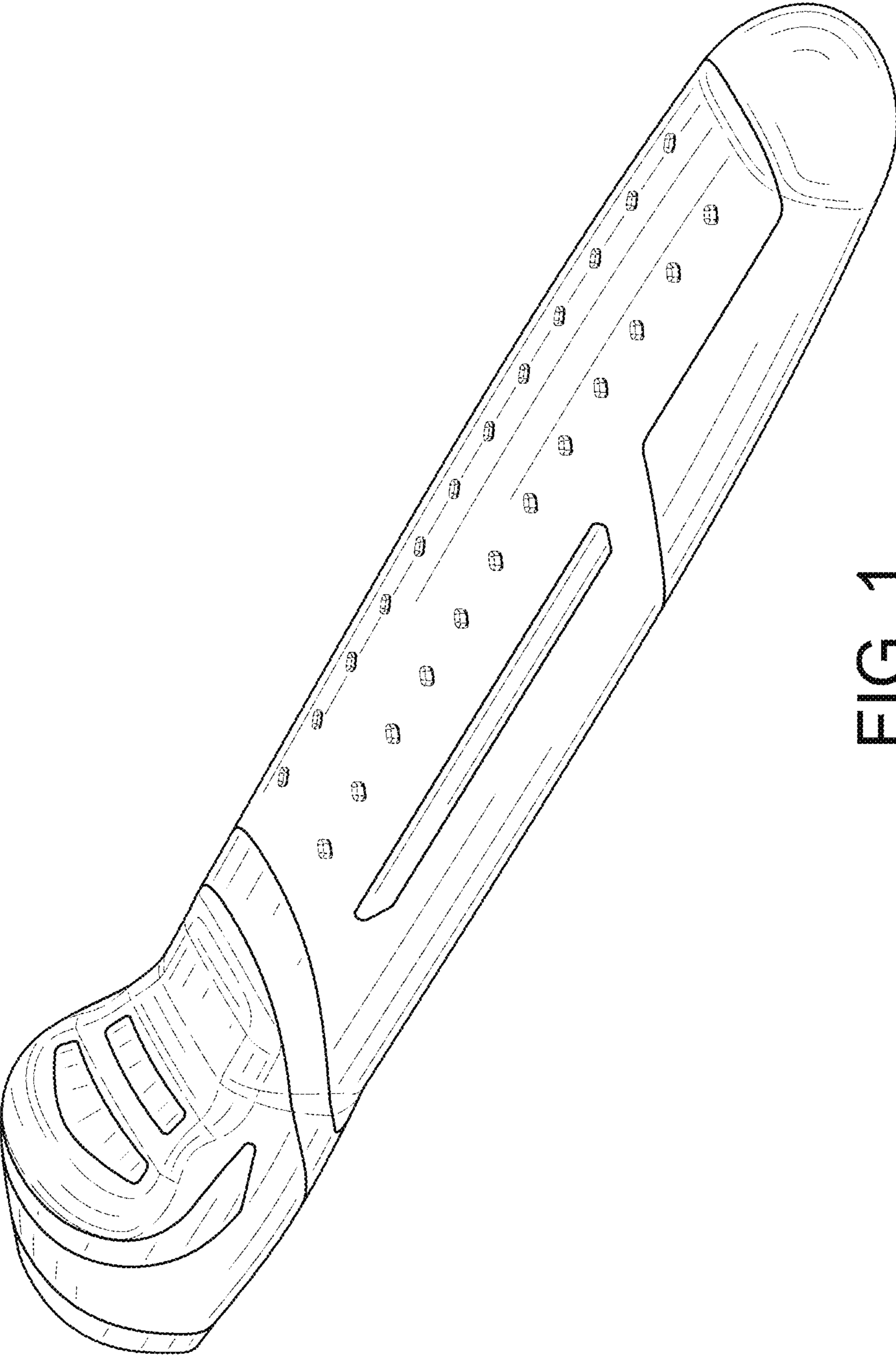


FIG. 1

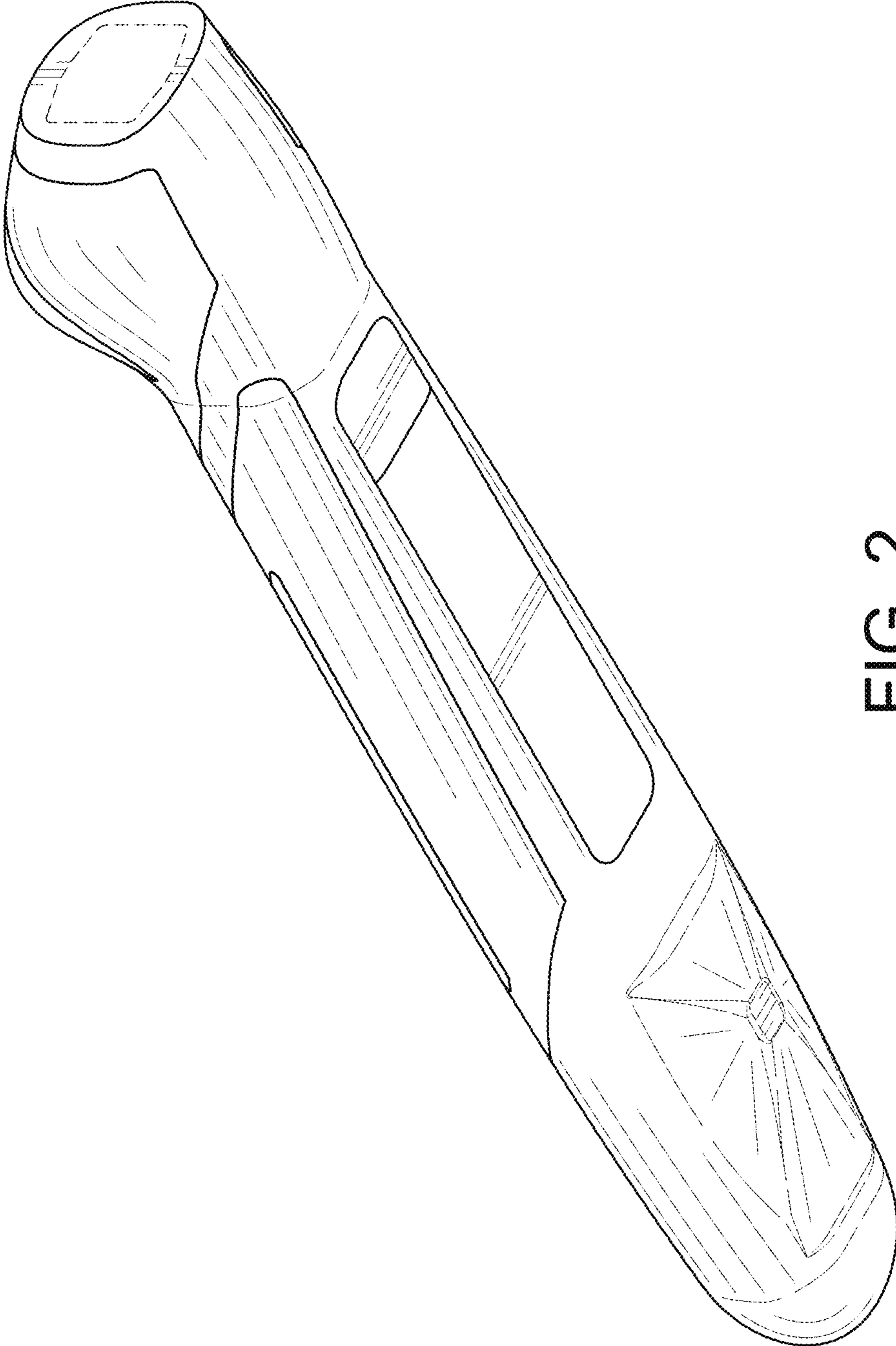


FIG. 2

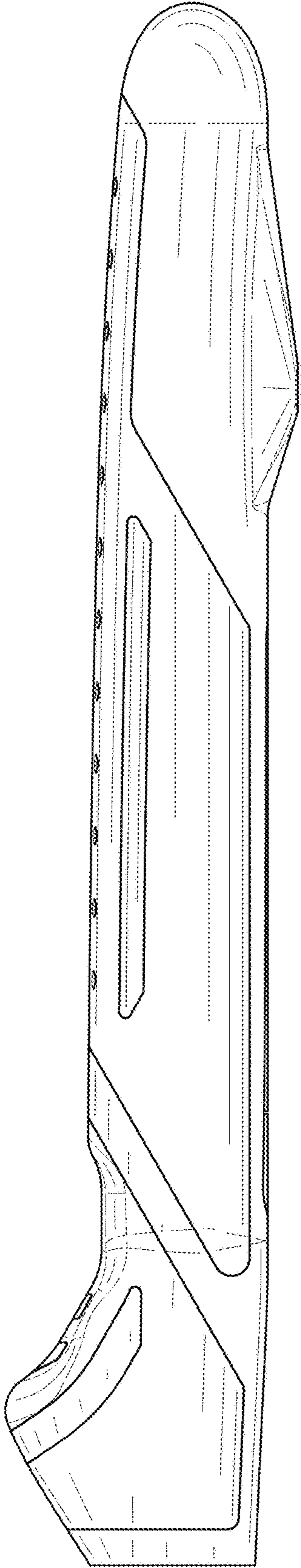


FIG. 3

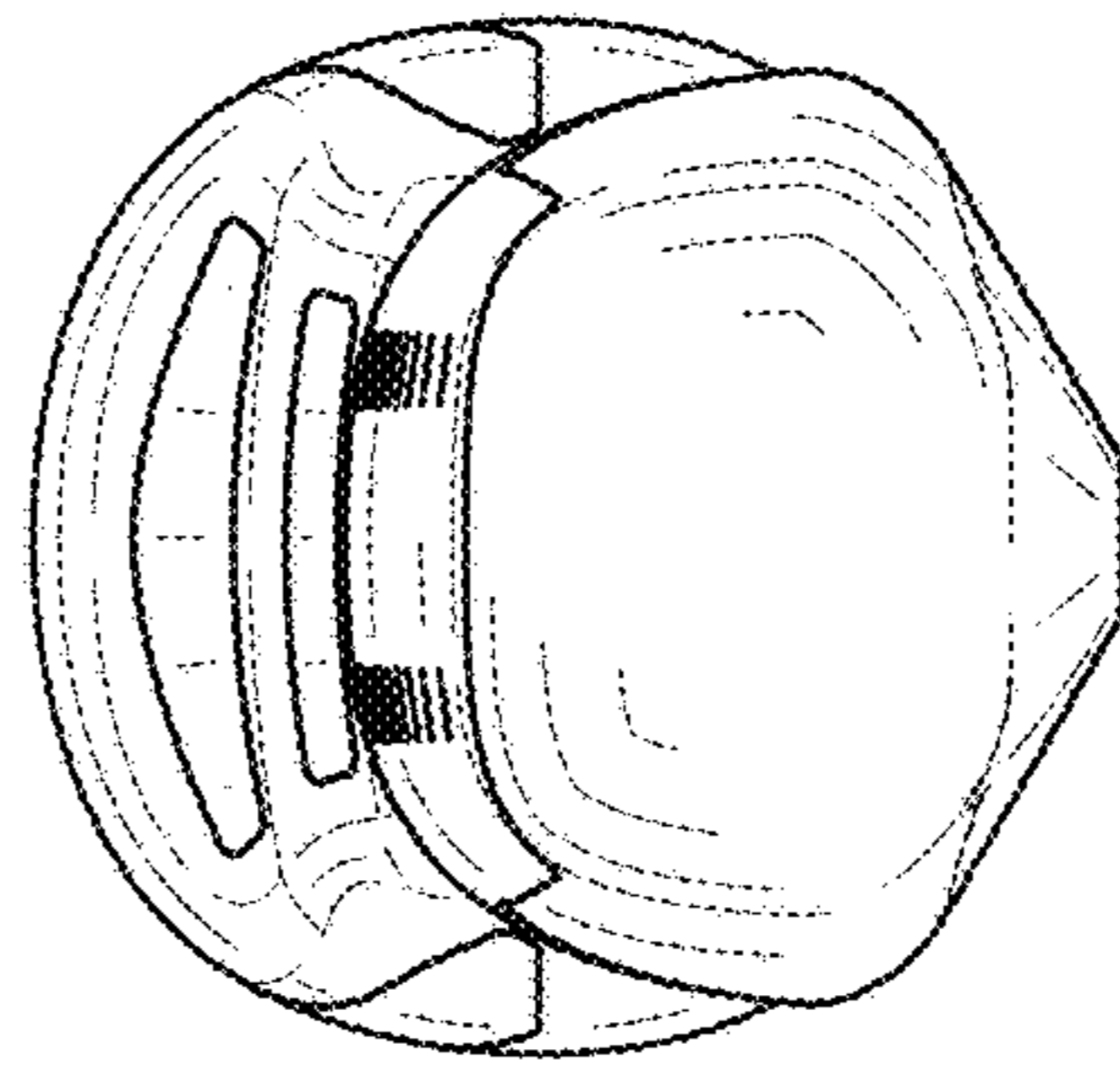


FIG. 4

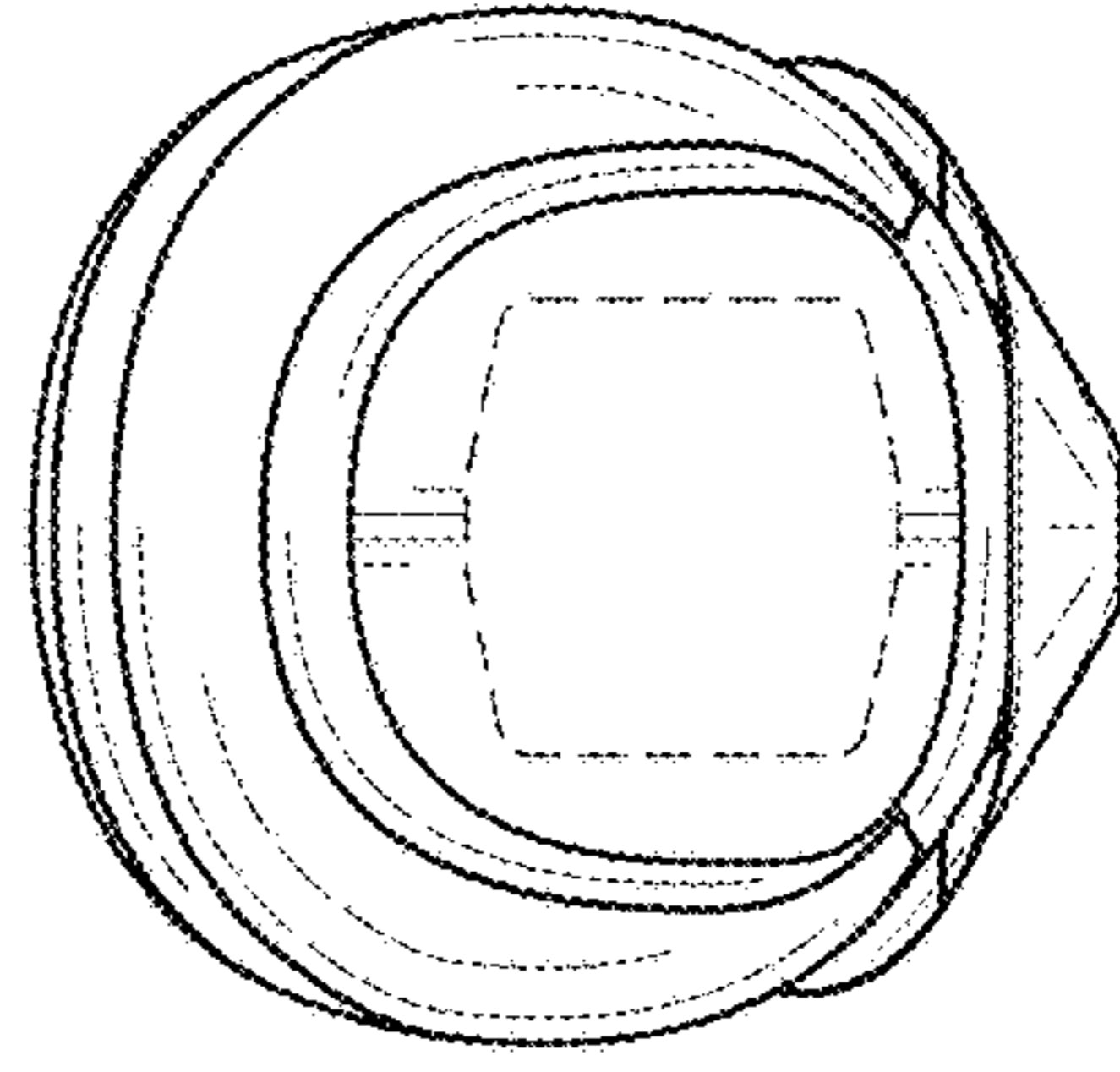


FIG. 5

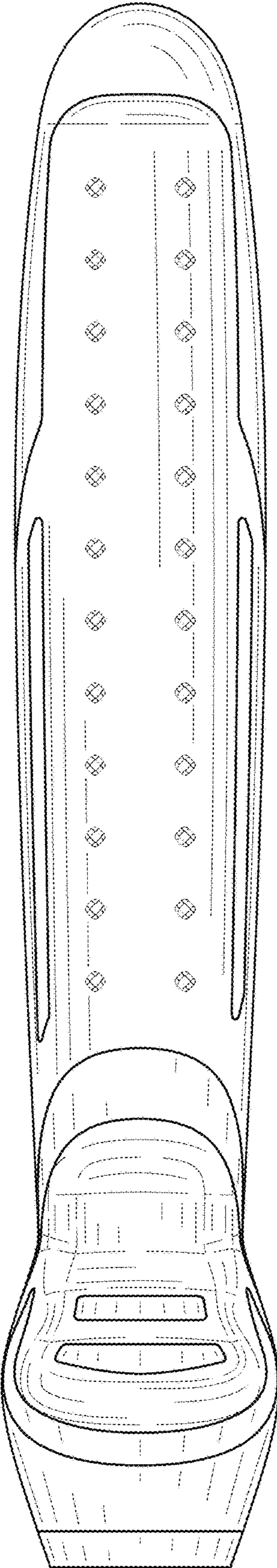


FIG. 6

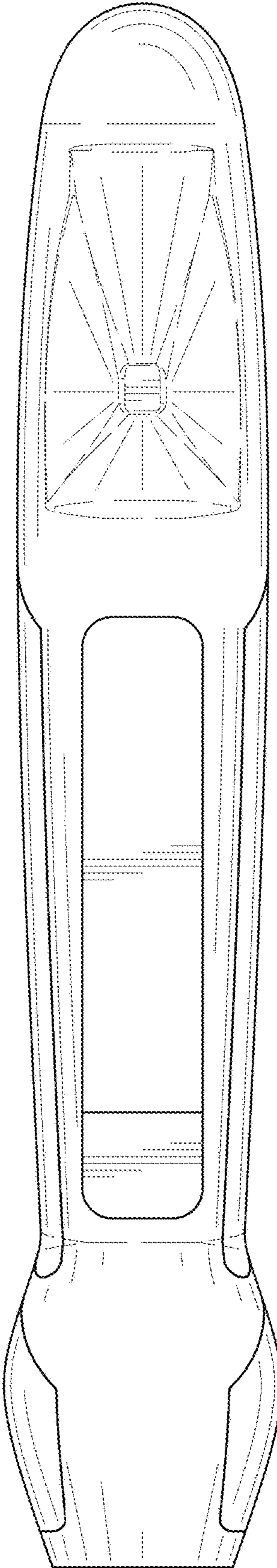


FIG. 7

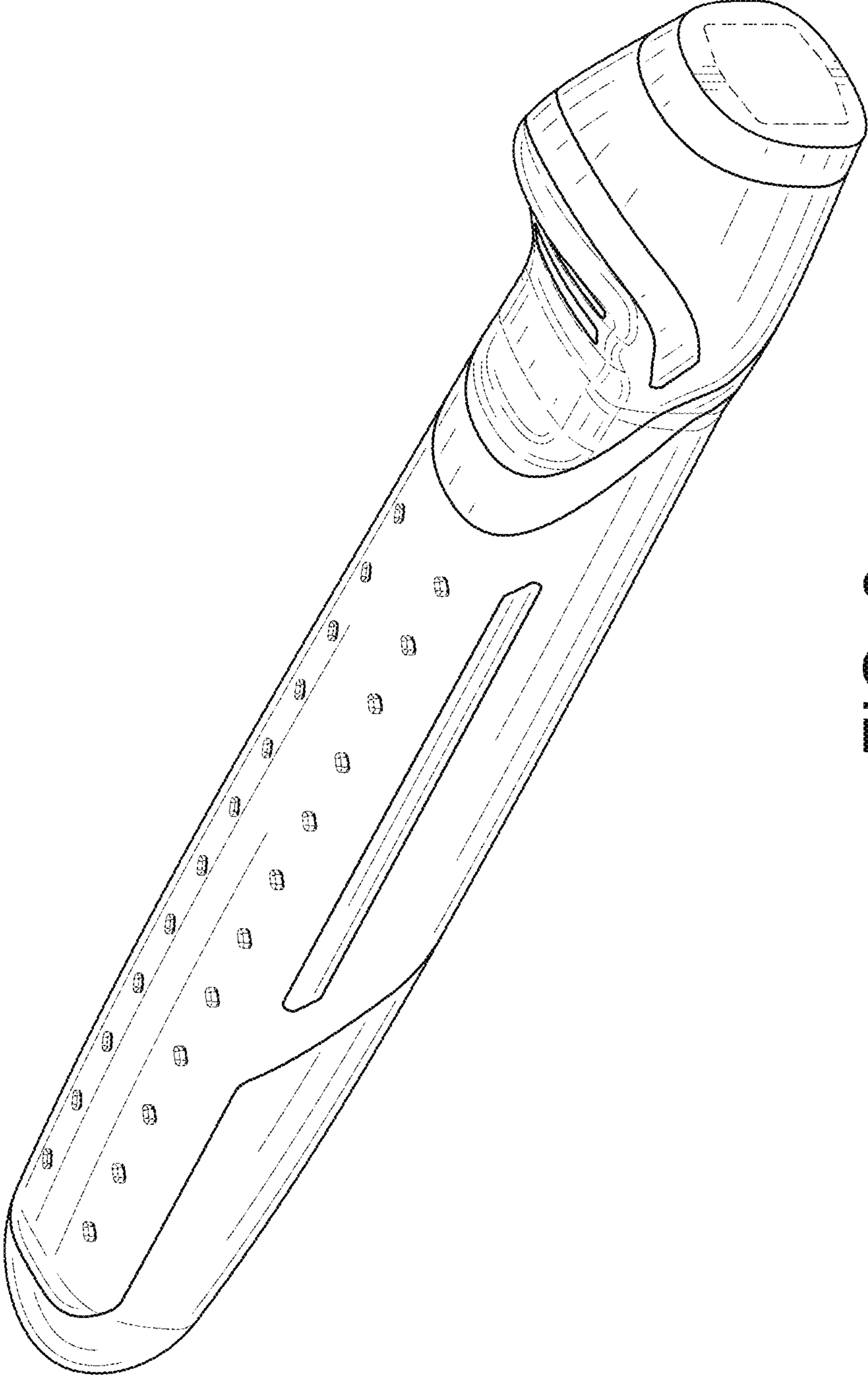


FIG. 8