



US00D799929S

(12) **United States Design Patent**  
**Aoki et al.**

(10) **Patent No.:** **US D799,929 S**

(45) **Date of Patent:** **\*\* Oct. 17, 2017**

(54) **PORTABLE ELECTRIC HAMMER DRILL**

(56) **References Cited**

(71) Applicant: **Hitachi Koki Co., Ltd.**, Minato-Ku,  
Tokyo (JP)

U.S. PATENT DOCUMENTS

(72) Inventors: **Yoshiki Aoki**, Hitachinaka (JP);  
**Shinichi Kakefuda**, Hitachinaka (JP);  
**Rui Akiba**, Hitachinaka (JE); **Hideki Yamada**, Hitachinaka (JP)

D409,468 S *	5/1999	Uchida .....	D8/69
D480,937 S *	10/2003	Vogele .....	D8/69
D526,873 S *	8/2006	Tsuzuki .....	D8/69
D538,619 S *	3/2007	Okuda .....	D8/69
D607,294 S *	1/2010	Yamamoto .....	D8/69
D614,469 S *	4/2010	Hahn .....	D8/69

(73) Assignee: **Hitachi Koki Co., Ltd.**, Minato-Ku,  
Tokyo (JP)

\* cited by examiner

(\*\*) Term: **15 Years**

*Primary Examiner* — Austin Murphy

(21) Appl. No.: **29/575,082**

(74) *Attorney, Agent, or Firm* — Banner & Witcoff, Ltd.

(22) Filed: **Aug. 22, 2016**

(57) **CLAIM**

(30) **Foreign Application Priority Data**

Feb. 22, 2016 (JP) ..... 2016-003713

The ornamental design for a portable electric hammer drill, as shown and described.

(51) **LOC (10) Cl.** ..... **08-05**

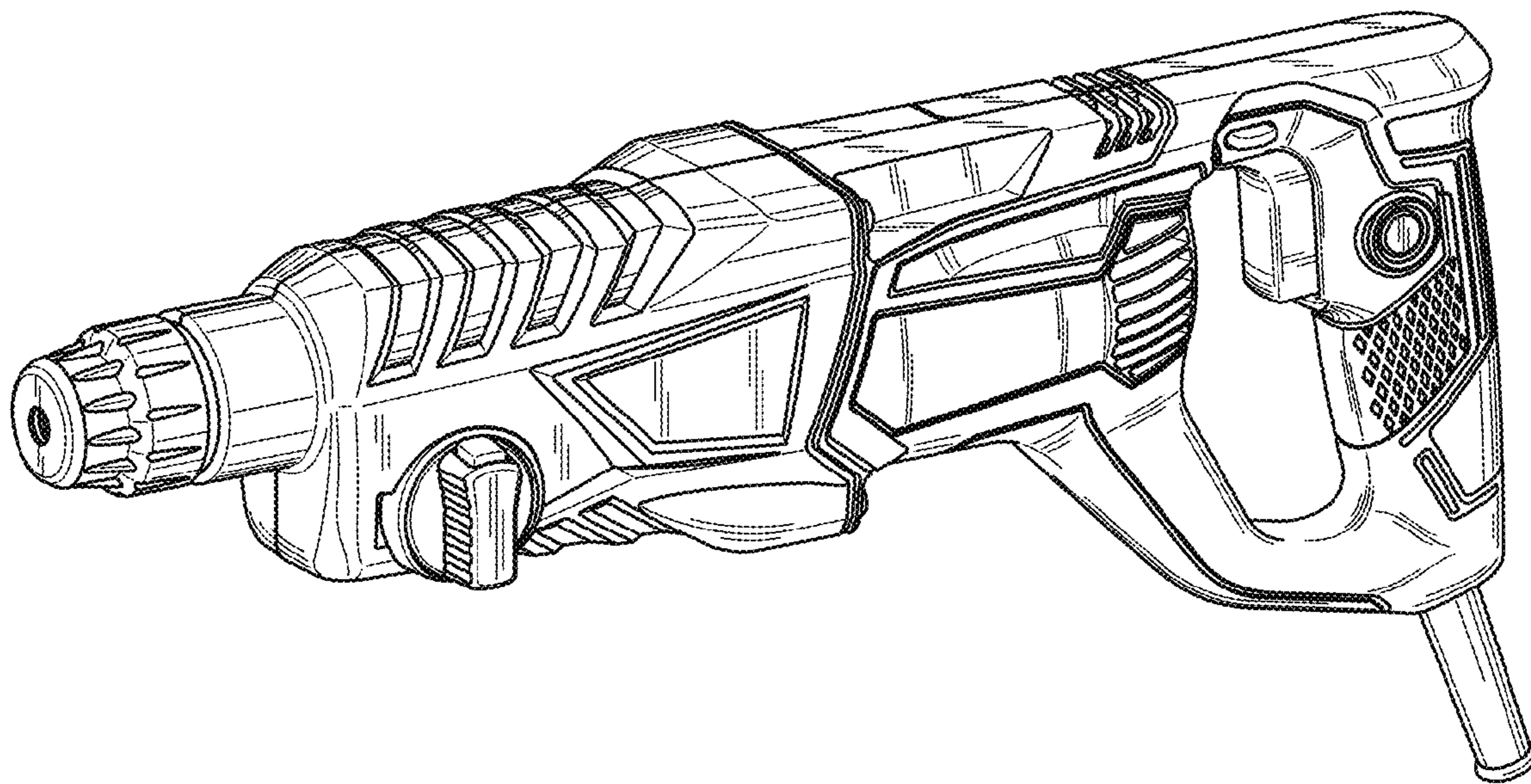
**DESCRIPTION**

(52) **U.S. Cl.**  
USPC ..... **D8/69**; D8/61

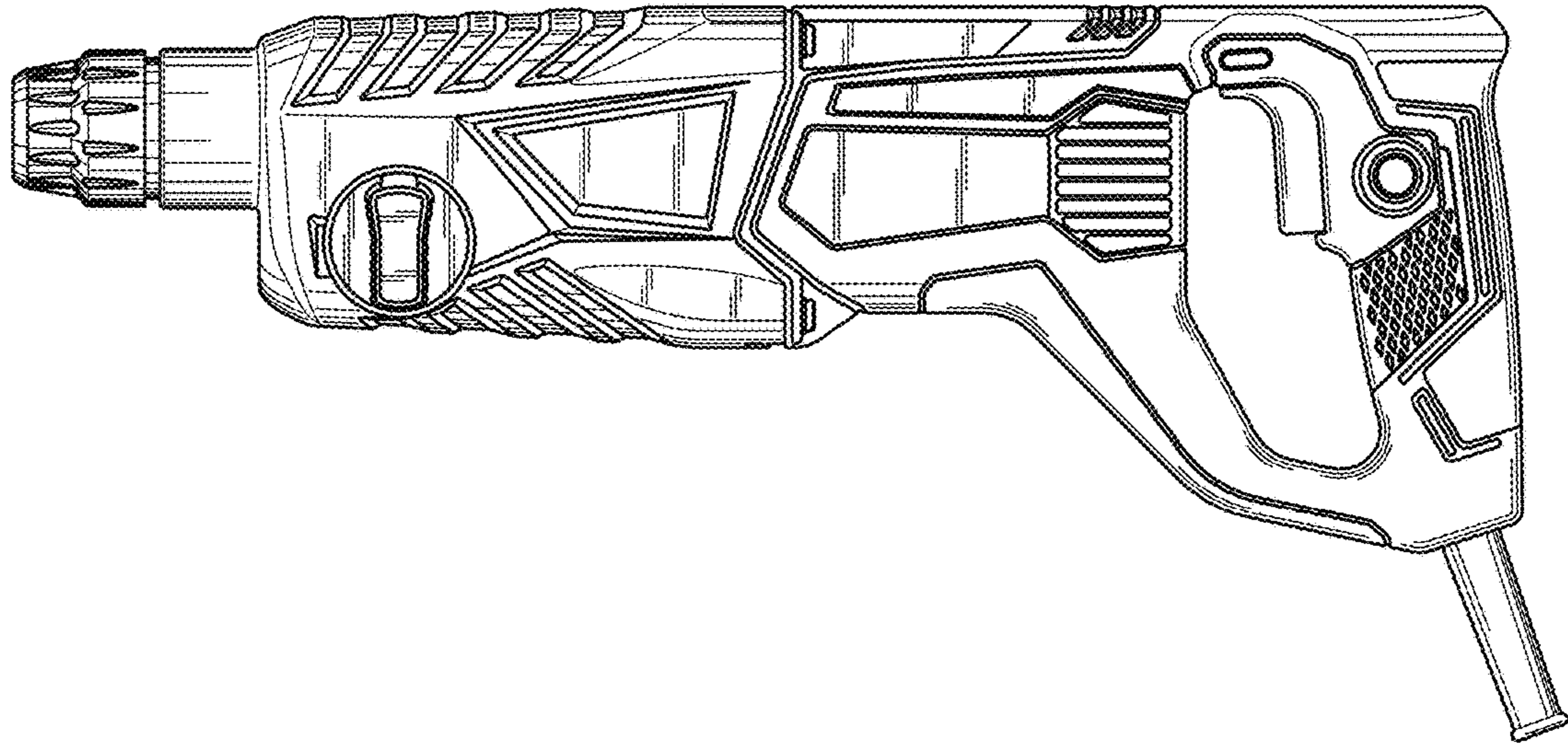
(58) **Field of Classification Search**  
USPC ..... D8/14.1, 61-70; 81/429, 454-456, 469,  
81/489; 173/104, 114, 168-171, 178,  
173/201, 211, 213, 217; 408/20, 124,  
408/125, 234; 9/16  
CPC ..... B25D 9/26; B25D 9/16; B25D 11/005;  
B25D 11/125  
See application file for complete search history.

FIG. 1 is a front view of a portable electric hammer drill showing our new design;  
FIG. 2 is a rear side view thereof;  
FIG. 3 is a top plan view thereof;  
FIG. 4 is a bottom side view thereof;  
FIG. 5 is a right side view thereof;  
FIG. 6 is a left side view thereof; and,  
FIG. 7 is a front, left, upper perspective view thereof.

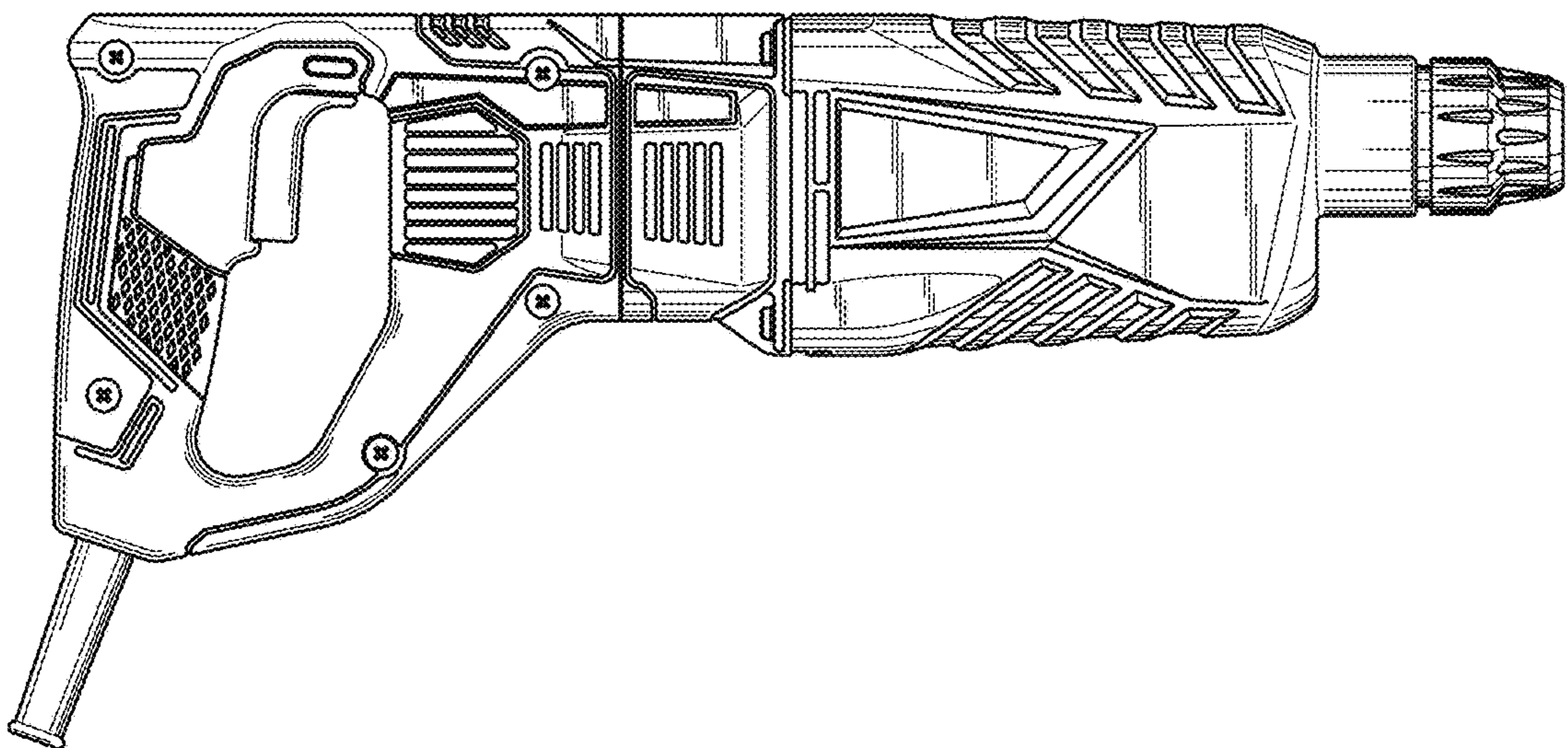
**1 Claim, 4 Drawing Sheets**



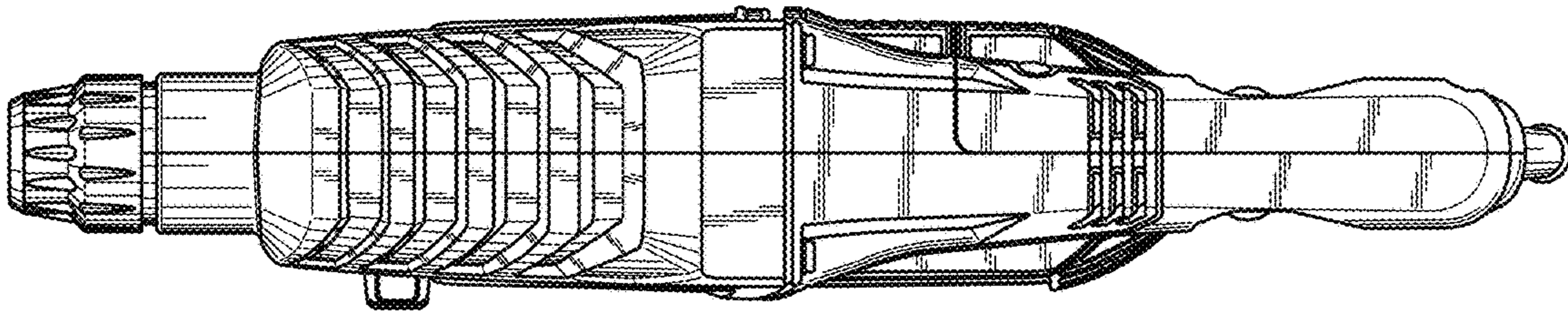
**FIG. 1**



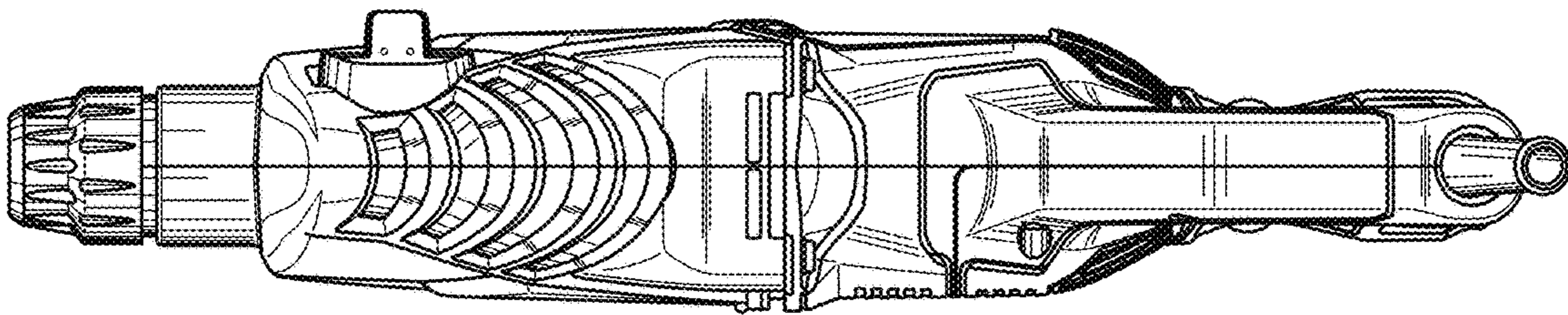
**FIG. 2**



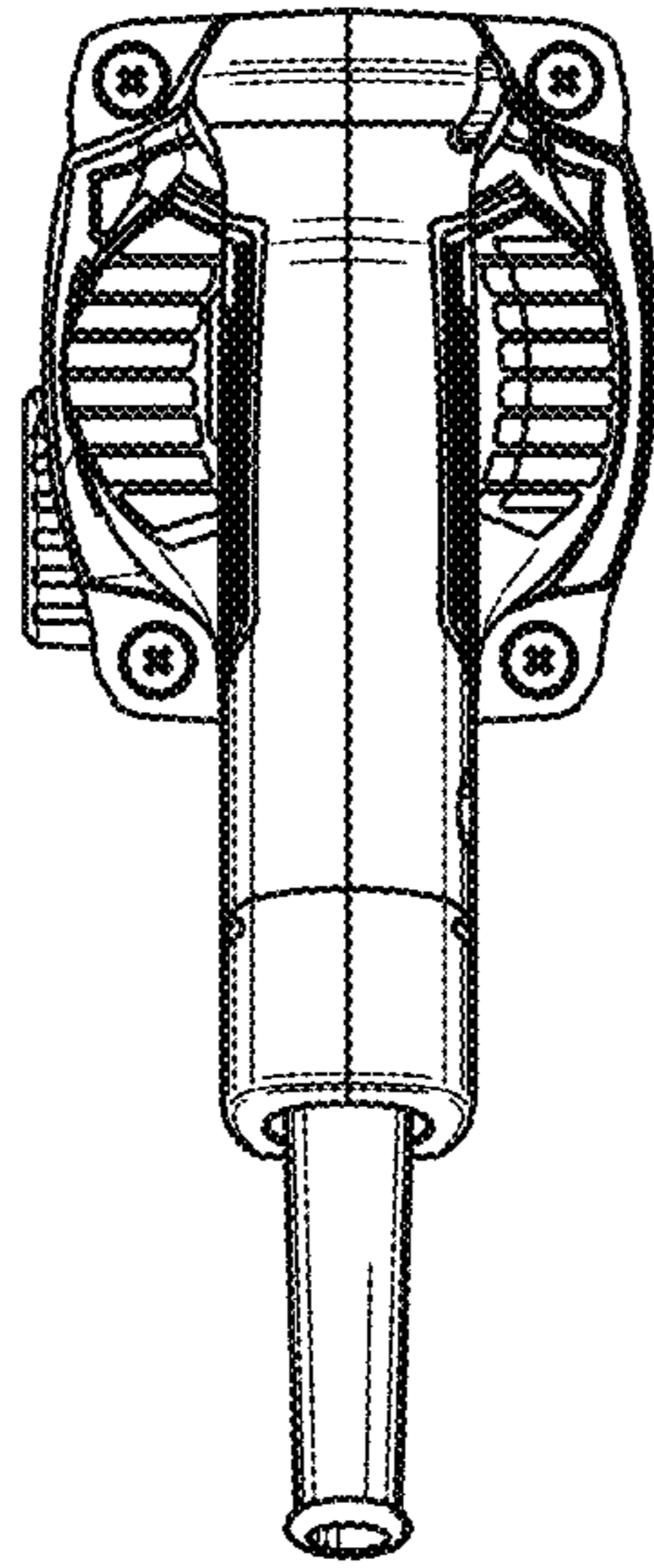
**FIG. 3**



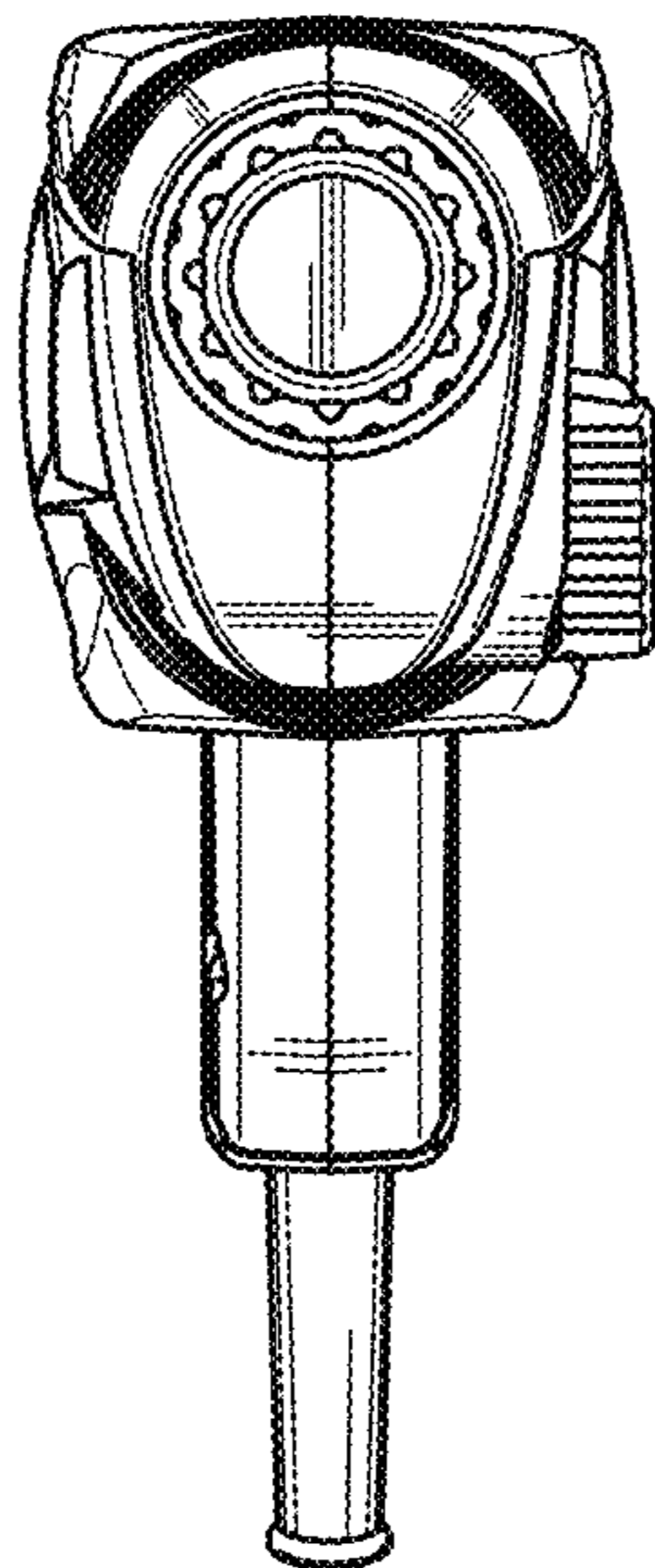
**FIG. 4**



**FIG. 5**



**FIG. 6**



**FIG. 7**

