

US00D799928S

(12) **United States Design Patent** (10) **Patent No.:** **US D799,928 S**  
**Lee** (45) **Date of Patent:** **\*\* \*Oct. 17, 2017**

(54) **SCISSORS**  
(71) Applicant: **Ching-Lu Lee**, Changhua (TW)  
(72) Inventor: **Ching-Lu Lee**, Changhua (TW)  
(\* ) Notice: This patent is subject to a terminal disclaimer.  
(\*\* ) Term: **15 Years**  
(21) Appl. No.: **29/549,091**  
(22) Filed: **Dec. 18, 2015**  
(51) **LOC (10) Cl.** ..... **08-03**  
(52) **U.S. Cl.**  
USPC ..... **D8/57**  
(58) **Field of Classification Search**  
USPC ..... D8/4, 5, 51-58  
CPC ..... A01G 3/02; B26B 13/16  
See application file for complete search history.

D431,761 S \* 10/2000 Deville ..... D8/5  
D463,227 S \* 9/2002 Choi ..... D8/5  
D503,595 S \* 4/2005 Lipscomb ..... D8/5  
D705,023 S \* 5/2014 Chen ..... D8/5  
D714,597 S \* 10/2014 Lee ..... D8/5  
D715,113 S \* 10/2014 Masalin ..... D8/5  
D718,590 S \* 12/2014 Roberts ..... D8/57

\* cited by examiner

*Primary Examiner* — Deanna L Pratt  
(74) *Attorney, Agent, or Firm* — C. G. Mersereau;  
Nikolai & Mersereau, P.A.

(57) **CLAIM**

The ornamental design for scissors, as shown and described.

**DESCRIPTION**

FIG. 1 is a perspective view of scissors, showing my new design;  
FIG. 2 is another perspective view thereof;  
FIG. 3 is a front view thereof;  
FIG. 4 is rear front view thereof;  
FIG. 5 is a left side view thereof;  
FIG. 6 is a right side view thereof;  
FIG. 7 is a top view thereof; and,  
FIG. 8 is a bottom view thereof.

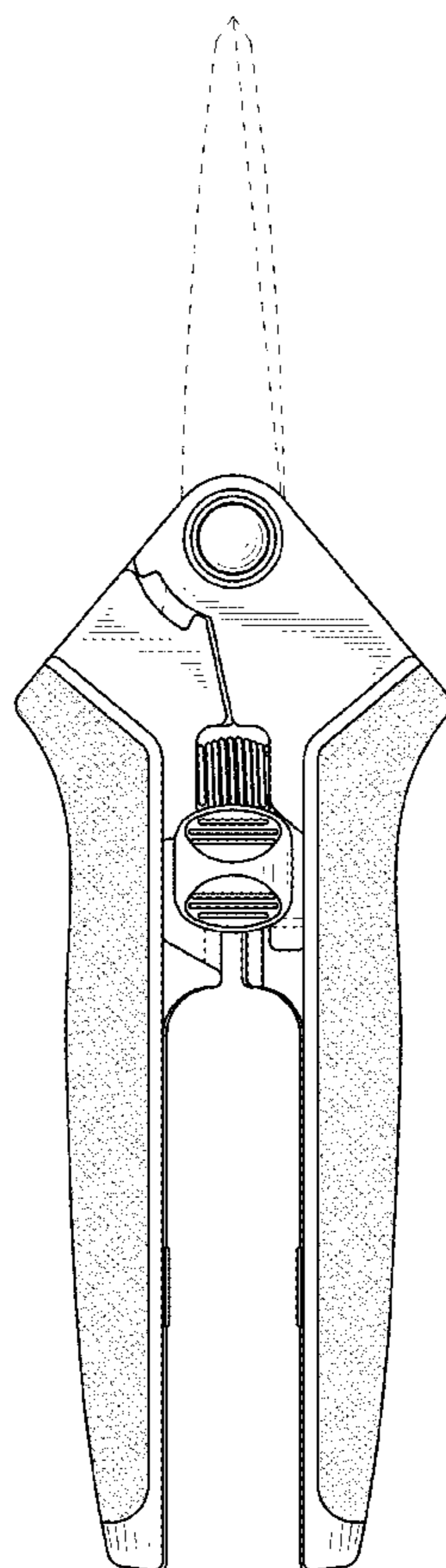
The broken lines in the drawings illustrate portions of the scissors that form no part of the claimed design.

**1 Claim, 8 Drawing Sheets**

(56) **References Cited**

U.S. PATENT DOCUMENTS

D353,523 S \* 12/1994 Her ..... D8/5  
D354,890 S \* 1/1995 Concari ..... D8/5  
D427,491 S \* 7/2000 Deville ..... D8/5  
D427,859 S \* 7/2000 Deville ..... D8/5  
D427,860 S \* 7/2000 Deville ..... D8/5



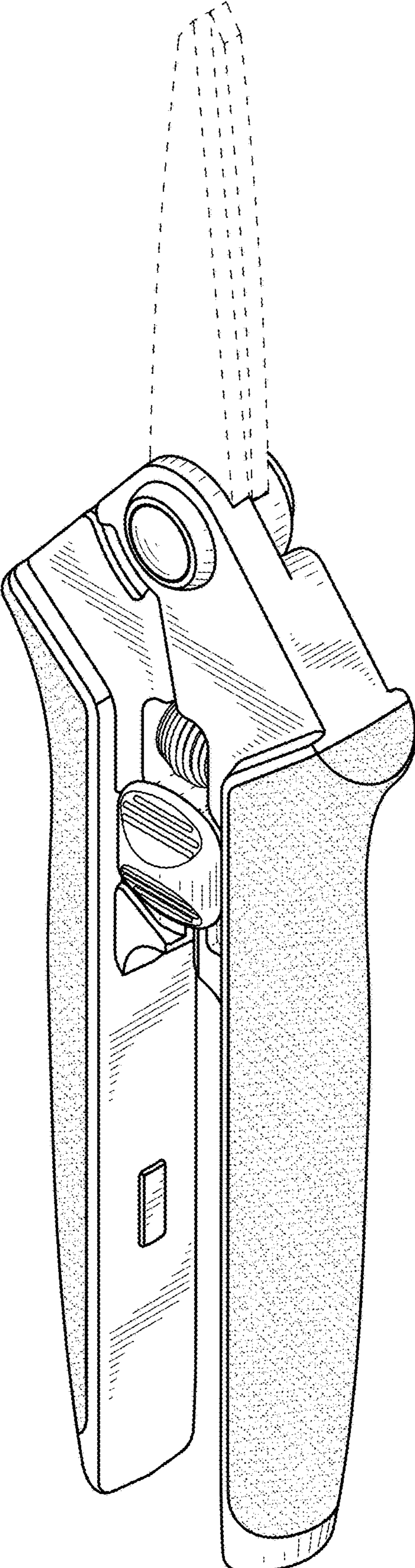


FIG.1

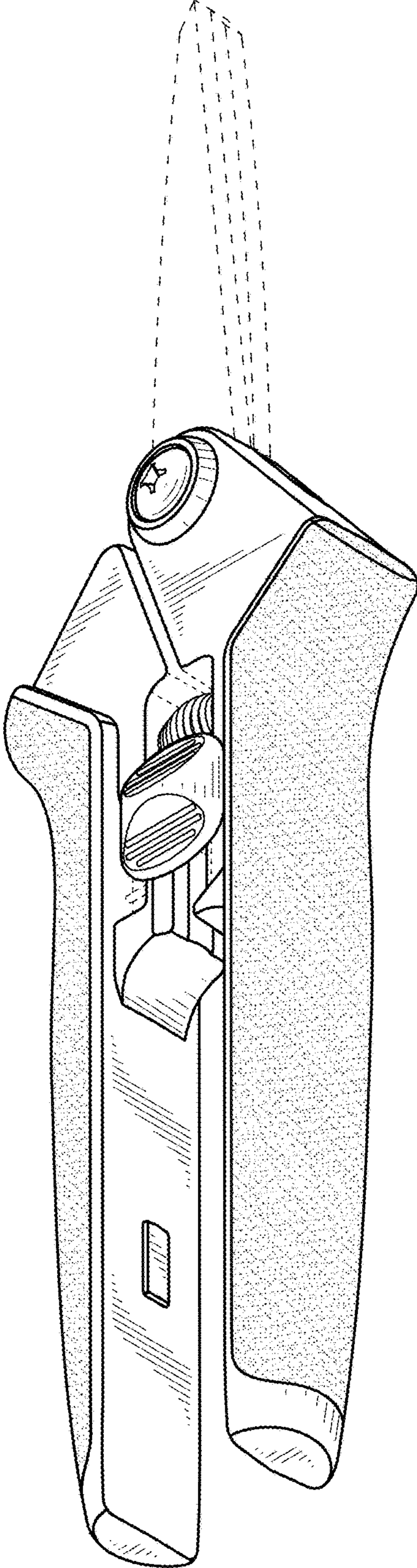


FIG.2

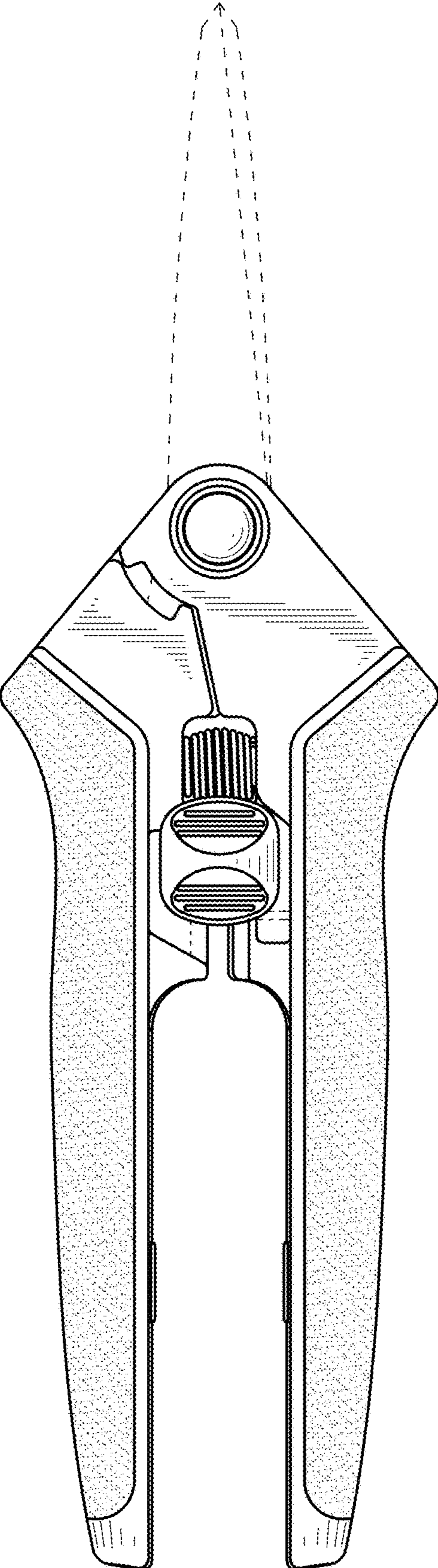


FIG.3

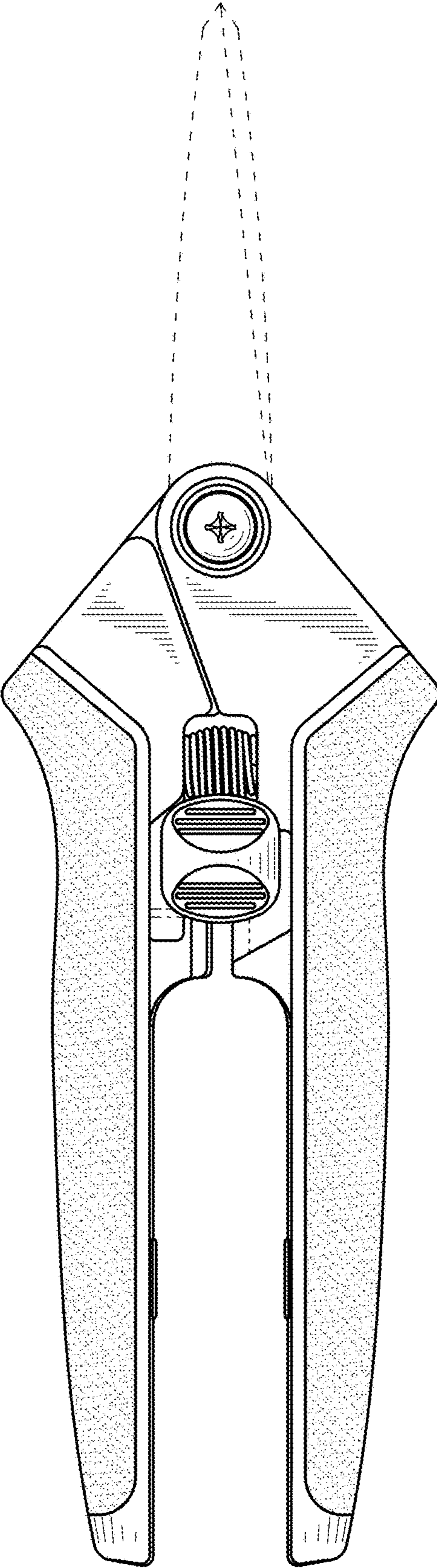


FIG.4

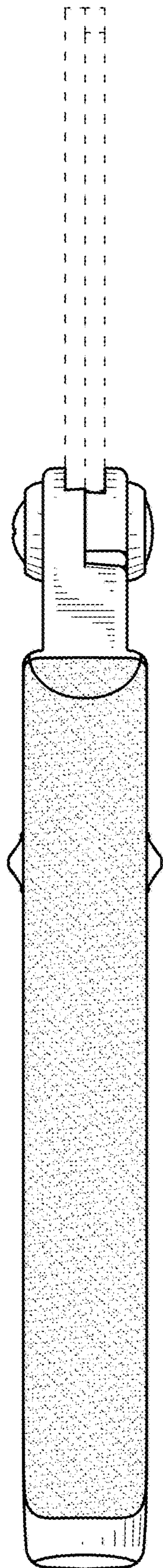


FIG.5

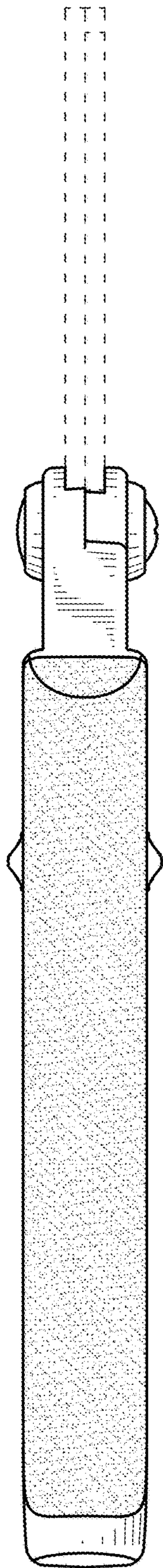


FIG.6

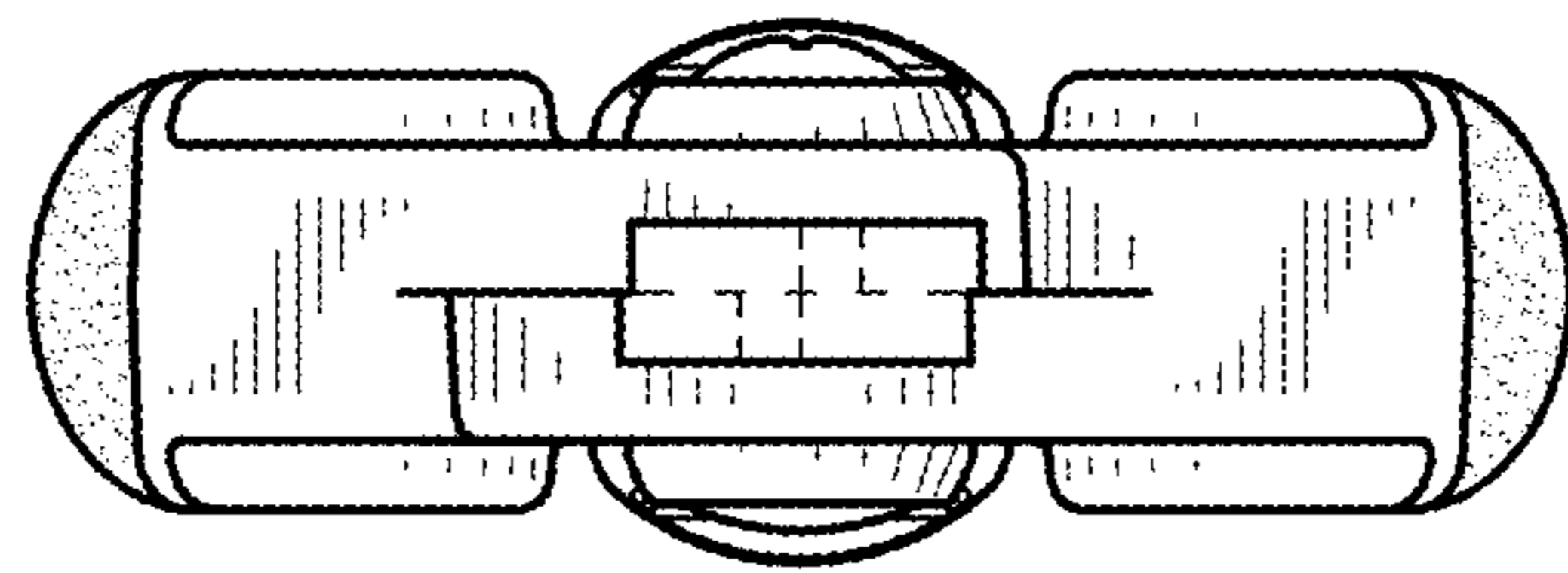


FIG.7



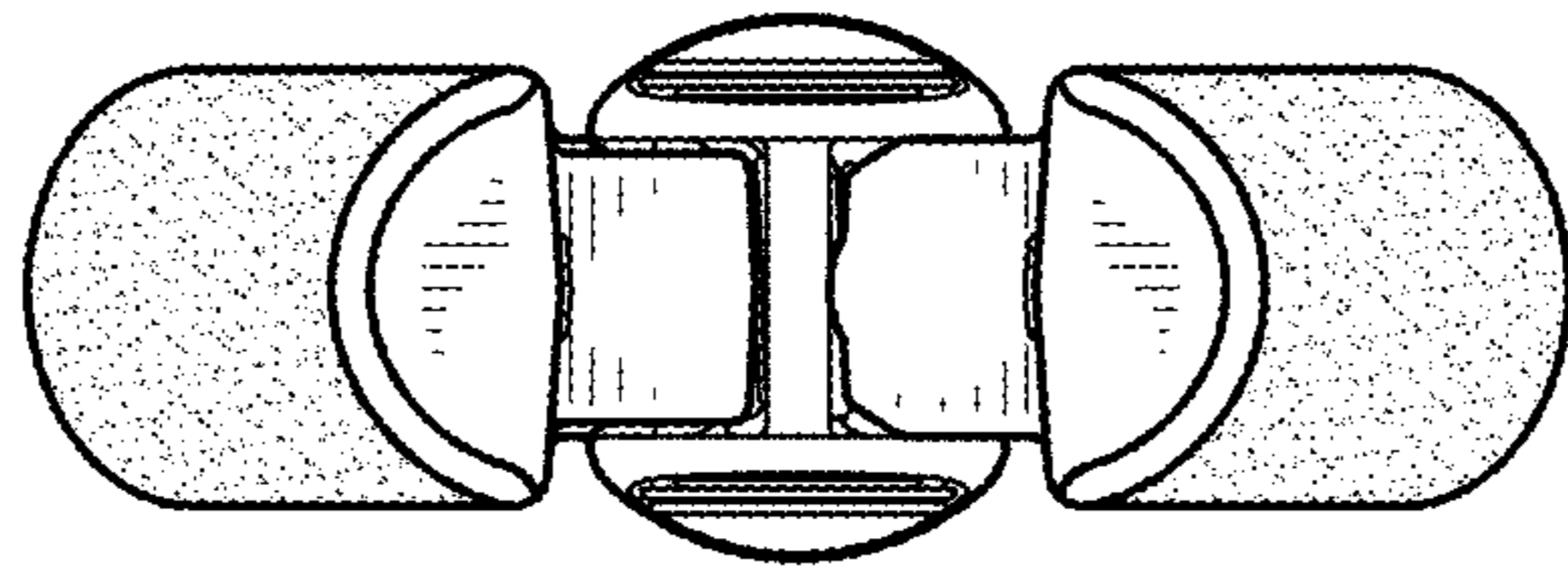


FIG.8