



US00D799926S

(12) **United States Design Patent**
Hogan, Jr.

(10) **Patent No.:** **US D799,926 S**

(45) **Date of Patent:** **** *Oct. 17, 2017**

(54) **TILE SPACER REMOVER**

(71) Applicant: **James Hogan, Jr.**, Paducah, KY (US)

(72) Inventor: **James Hogan, Jr.**, Paducah, KY (US)

(*) Notice: This patent is subject to a terminal disclaimer.

(**) Term: **15 Years**

(21) Appl. No.: **29/551,589**

(22) Filed: **Jan. 14, 2016**

(51) **LOC (10) Cl.** **08-05**

(52) **U.S. Cl.**
USPC **D8/51**

(58) **Field of Classification Search**
USPC D8/14, 51-60, 105
CPC E04F 21/0092; B25C 11/00; Y10S 33/20;
Y10S 52/01; B26B 25/005; B26B 11/00;
B26B 17/00

See application file for complete search history.

(56) **References Cited**

U.S. PATENT DOCUMENTS

722,282	A	*	3/1903	Buehler	B26B 25/00	30/319
D120,678	S	*	5/1940	Parker	15/105	
D201,203	S	*	5/1965	Ives	D8/51	
3,448,508	A	*	6/1969	Turner	E04F 21/28	29/235
D281,759	S	*	12/1985	Filippini	D8/107	
4,953,341	A	*	9/1990	Joos		
5,031,881	A	*	7/1991	Thurmston	B25C 11/00	254/131
D337,247	S		7/1993	Dart		
D426,444	S	*	6/2000	Hepworth	D8/14	
D428,569	S	*	7/2000	Miles	D8/14	
D441,631	S	*	5/2001	Carroll	D8/51	

6,394,518	B1	*	5/2002	Kelley	B25B 27/0092	294/61
D552,952	S	*	10/2007	Horner	D8/14	
D556,526	S	*	12/2007	Horner	D8/14	
D601,395	S	*	10/2009	Burton	D8/14	
D602,323	S	*	10/2009	Alleyne	D8/14	
D639,619	S		6/2011	Waage		
8,365,418	B2		2/2013	Tomasetti		
D749,923	S	*	2/2016	Davis	D8/14	
D762,095	S	*	7/2016	Davis	D8/14	
2008/0141617	A1		6/2008	Joski		

* cited by examiner

Primary Examiner — Deanna L Pratt

(74) *Attorney, Agent, or Firm* — Julie A. Tennyson;
Marcum Tennyson PLLC

(57) **CLAIM**

I claim the ornamental design for a tile spacer remover, as shown and described.

DESCRIPTION

FIG. 1 is a side view of the tile spacer remover.
 FIG. 2 is a top view of the tile spacer remover.
 FIG. 3 is a bottom view of the tile spacer remover.
 FIG. 4 is a back view of the tile spacer remover.
 FIG. 5 is a side view of the tile spacer remover;
 FIG. 6 is a front perspective view of the tile spacer remover;
 and,
 FIG. 7 is a front perspective view showing that the end of the tile spacer remover is removable. FIG. 7 also shows an alternative end of the tile spacer remover, with it being understood that in an alternative embodiment of the tile spacer remover design, the alternative end of the tile spacer remover shown in FIG. 7 is applied to the body of the tile spacer remover shown in FIGS. 1-7.
 The broken lines in the drawings illustrate portions of the tile spacer remover that form no part of the claimed design.

1 Claim, 7 Drawing Sheets

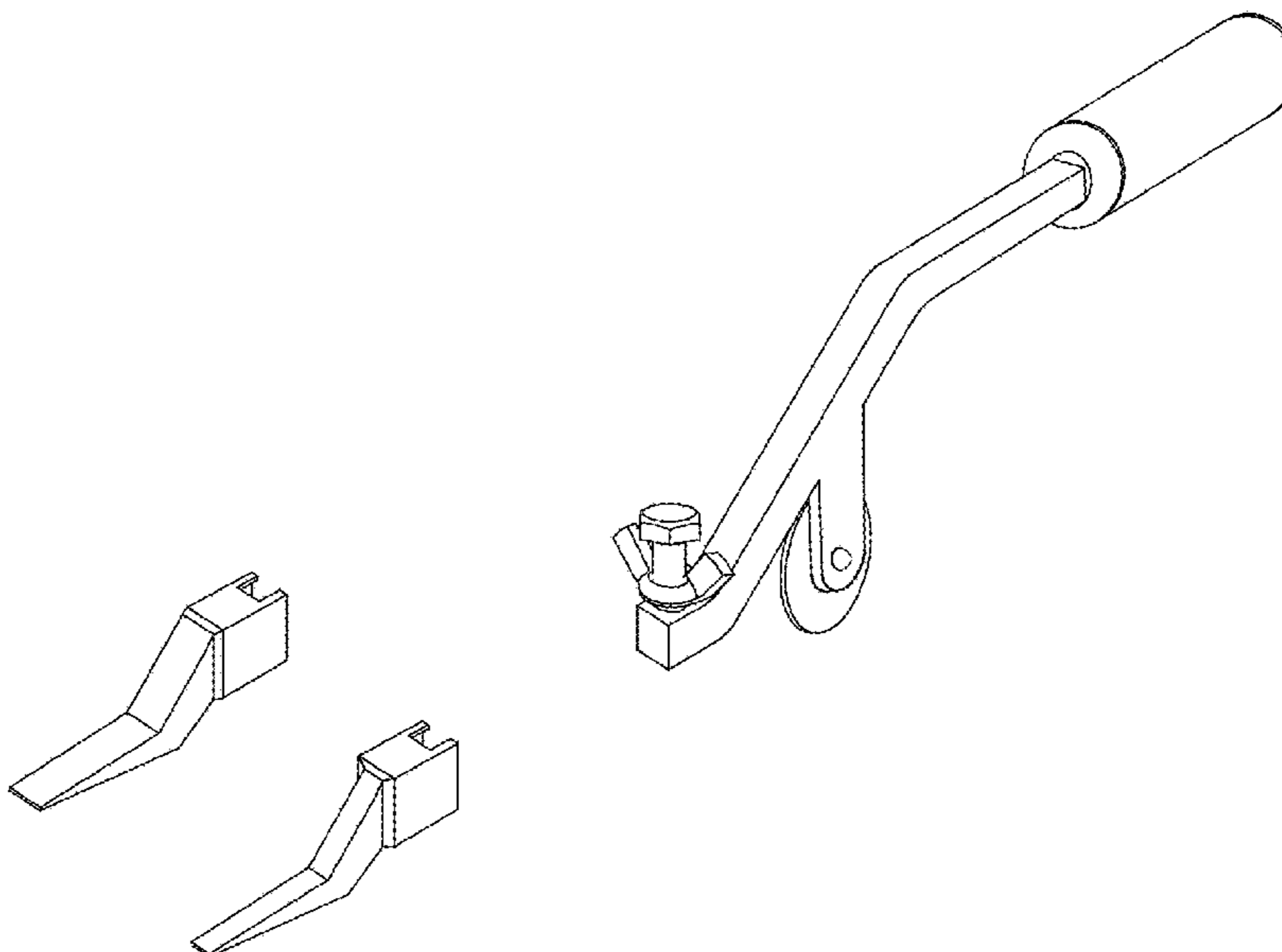


FIGURE 1

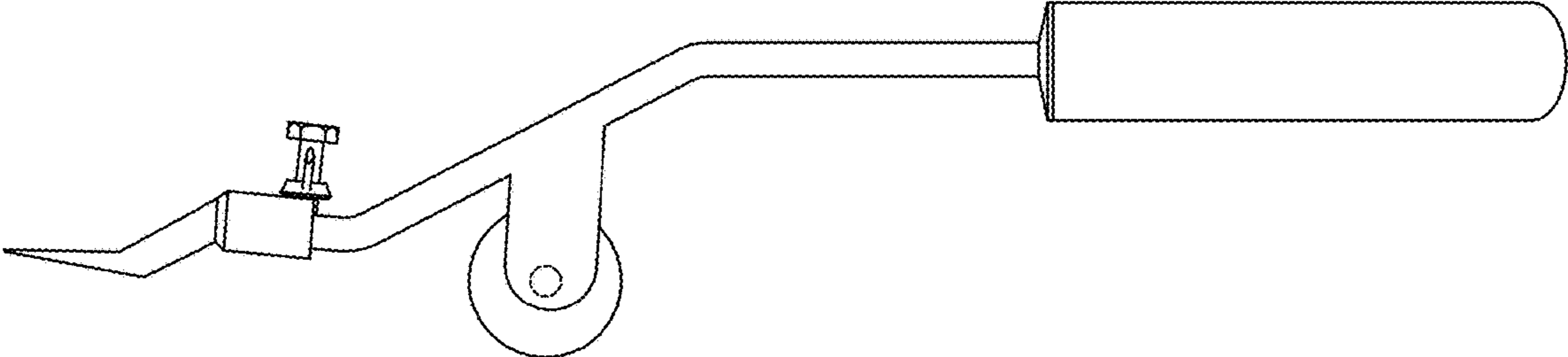


FIGURE 2

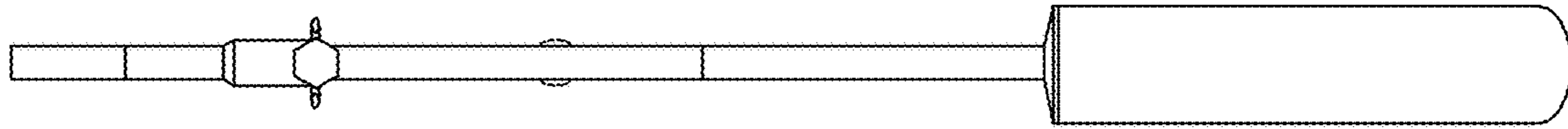


FIGURE 3

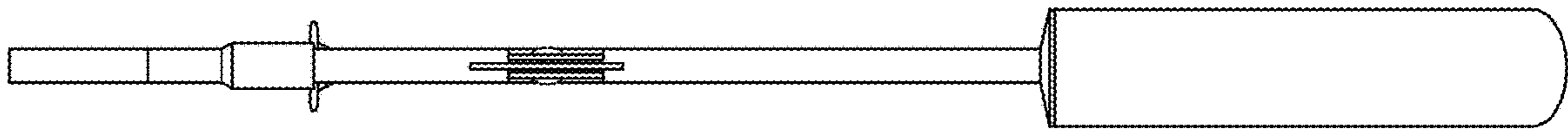


FIGURE 4

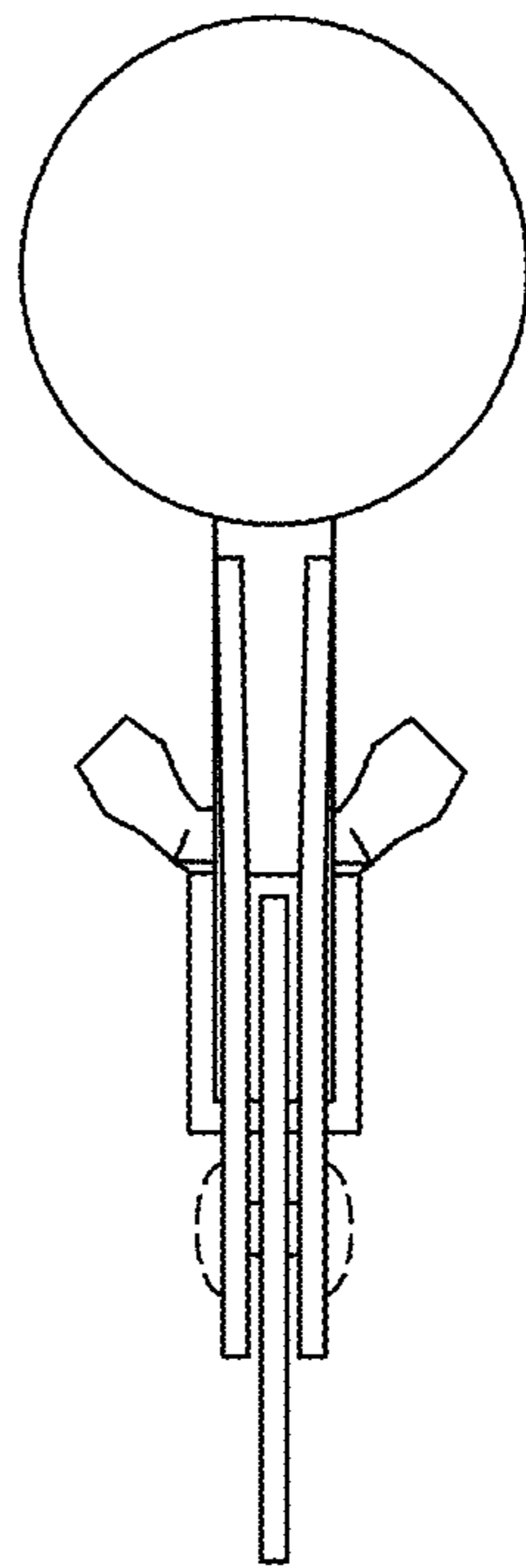


FIGURE 5

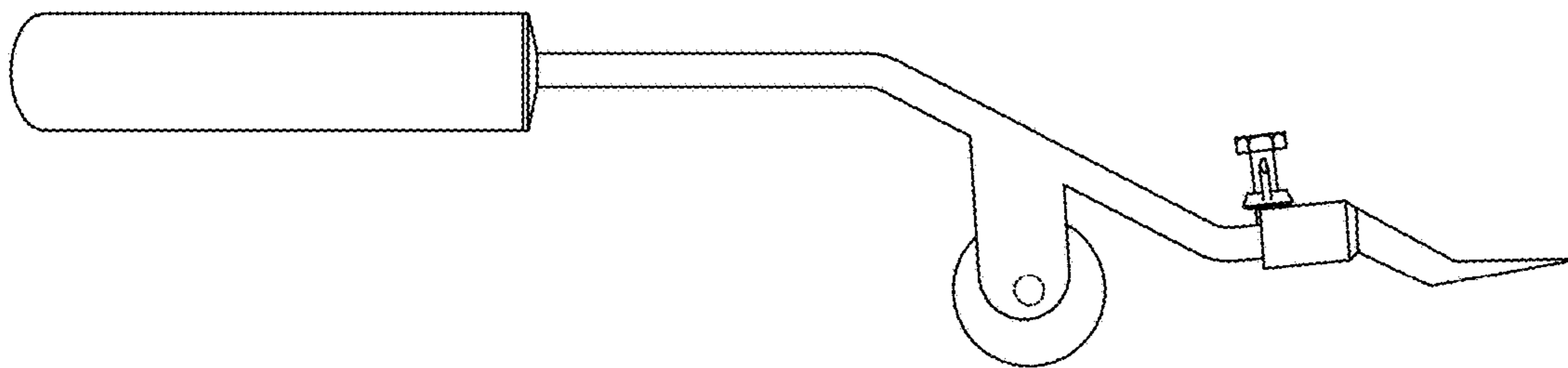


FIGURE 6

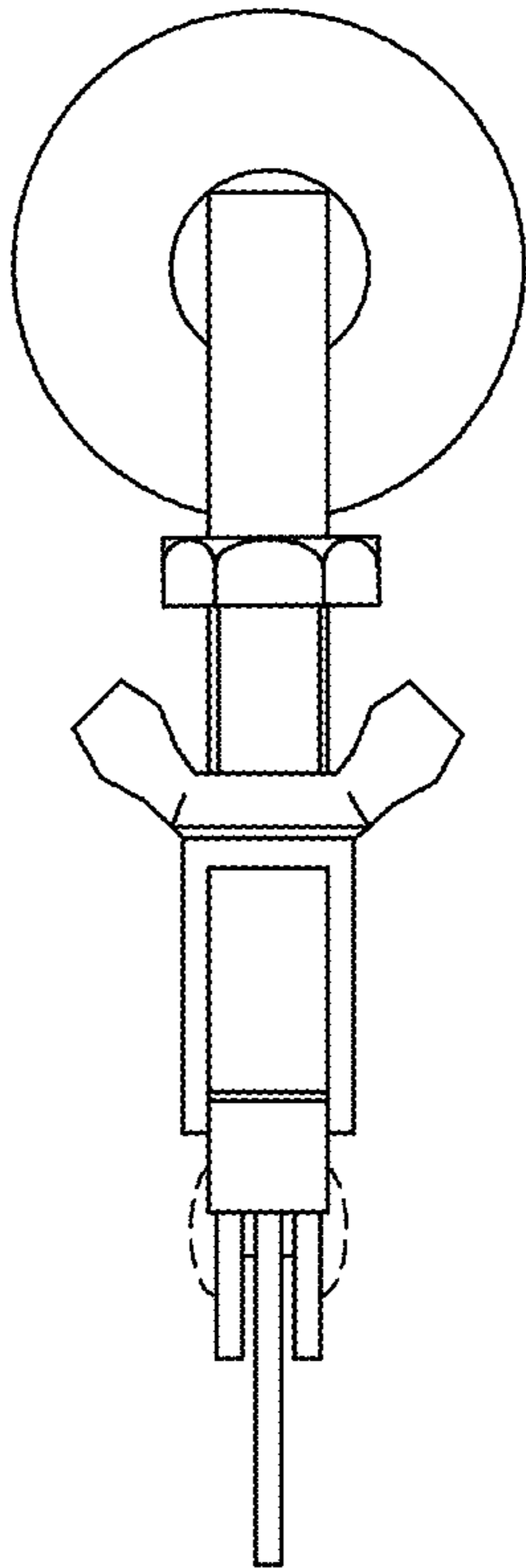


FIGURE 7

