



US00D799925S

(12) **United States Design Patent**
Wheeler et al.

(10) **Patent No.:** **US D799,925 S**

(45) **Date of Patent:** **** Oct. 17, 2017**

- (54) **BOTTLE CAP OPENER**
- (71) Applicants: **Renette Lay Wheeler**, Charlotte, NC (US); **James L. Wheeler**, Charlotte, NC (US); **Katie Cox**, West Columbia, SC (US)
- (72) Inventors: **Renette Lay Wheeler**, Charlotte, NC (US); **James L. Wheeler**, Charlotte, NC (US); **Katie Cox**, West Columbia, SC (US)
- (**) Term: **15 Years**
- (21) Appl. No.: **29/554,579**
- (22) Filed: **Feb. 12, 2016**
- (51) **LOC (10) Cl.** **07-99**
- (52) **U.S. Cl.**
USPC **D8/33**
- (58) **Field of Classification Search**
USPC D8/14, 16, 18, 19, 33-43, 98, 88, 89, D8/107, 300, 301, 306-309, DIG. 10
CPC B67B 7/00; B67B 7/04; B67B 7/14; B67B 7/16; B67B 7/18; B67B 7/20; B67B 7/24; B67B 7/30; B67B 7/34; B67B 7/36; B67B 7/44
See application file for complete search history.

- D281,572 S * 12/1985 Gabriel D8/40
- D284,825 S * 7/1986 Zinbarg D7/672
- D287,456 S * 12/1986 Kobos D8/14
- 5,022,288 A * 6/1991 Taktakian B67B 7/18
81/3.4
- D320,916 S * 10/1991 Riddle D8/40
- D334,326 S * 3/1993 Detling D8/40
- 5,440,957 A * 8/1995 Rogers B25B 27/0042
81/124.4
- 5,664,694 A * 9/1997 Bietzer B29C 65/368
215/232
- 6,098,497 A * 8/2000 Larose B67B 7/18
368/10
- D440,134 S * 4/2001 Brix-Hansen D8/33
- D442,449 S * 5/2001 McQuillan D8/40
- D458,097 S * 6/2002 de la Guardia D8/33
- D480,935 S * 10/2003 Farce D8/19
- D482,251 S * 11/2003 Kelleghan D8/40
- 6,666,110 B1 * 12/2003 Buettner B67B 7/18
81/176.1
- 7,168,337 B2 * 1/2007 Carmo B67B 7/18
81/3.43
- D650,582 S * 12/2011 Jamtlid D3/271.1

(Continued)

Primary Examiner — Elizabeth Albert

(57) **CLAIM**

The ornamental design for a bottle cap opener, as shown and described.

DESCRIPTION

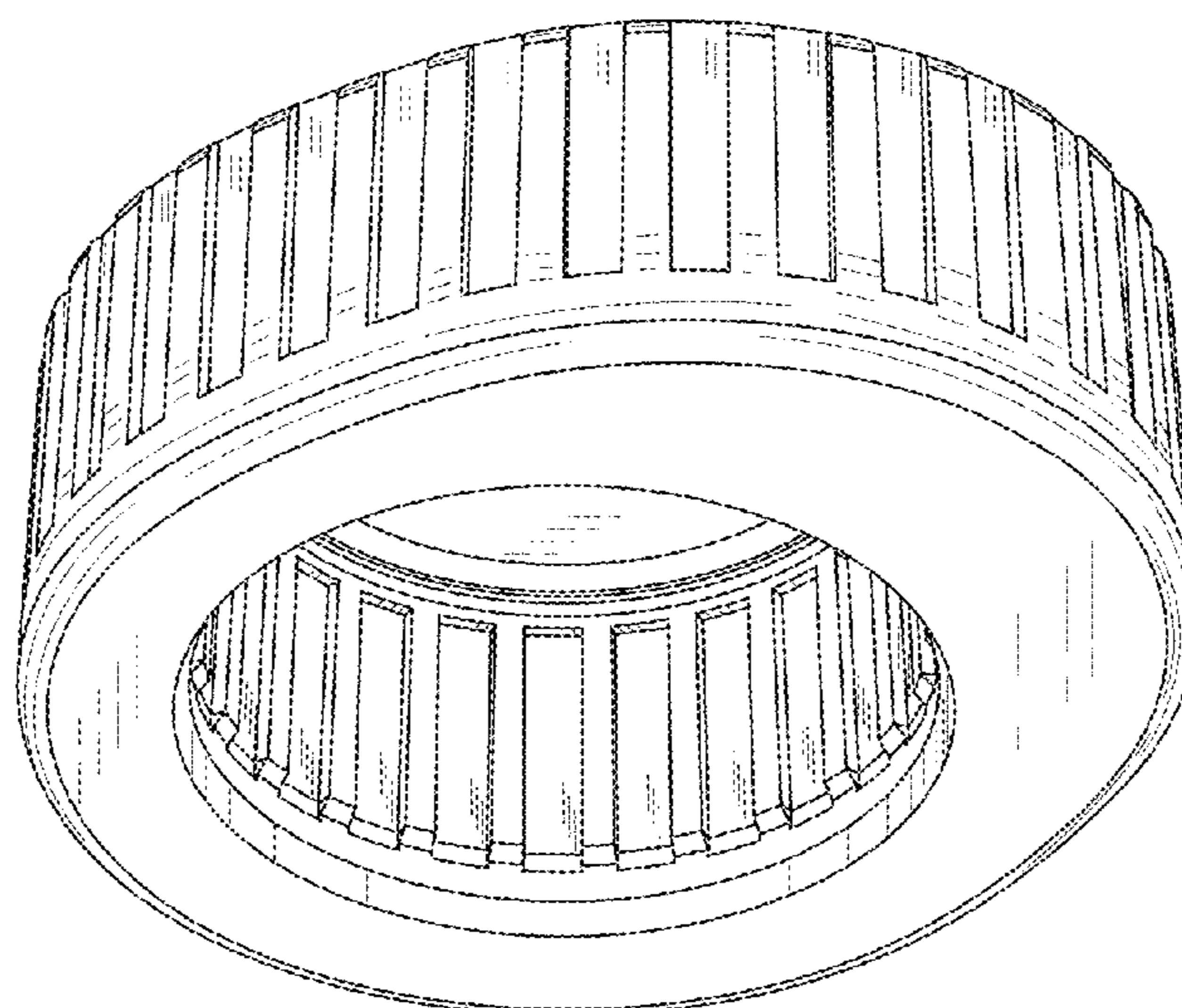
FIG. 1 is a top perspective view of a bottle cap opener; FIG. 2 is a bottom perspective view thereof; FIG. 3 is a front view thereof; FIG. 4 is a rear view thereof; FIG. 5 is a left side view thereof; FIG. 6 is a right side view thereof; FIG. 7 is a top view thereof; and, FIG. 8 is a bottom view thereof.

1 Claim, 8 Drawing Sheets

(56) **References Cited**

U.S. PATENT DOCUMENTS

- 3,812,741 A * 5/1974 Heine B67B 7/18
7/151
- 3,913,424 A * 10/1975 Castillo B67B 7/18
81/3.44
- 4,235,132 A * 11/1980 Kendall B67B 7/18
81/3.44
- D261,854 S * 11/1981 Nielsen D8/40
- 4,414,865 A * 11/1983 Brooks B67B 7/18
81/3.09
- D280,594 S * 9/1985 Dow D8/40



(56)

References Cited

U.S. PATENT DOCUMENTS

8,438,951 B1 * 5/2013 McCabe B67B 7/24
7/151
8,720,714 B2 * 5/2014 Romero B67B 7/18
215/228
D755,596 S * 5/2016 Ranfl D8/40

* cited by examiner

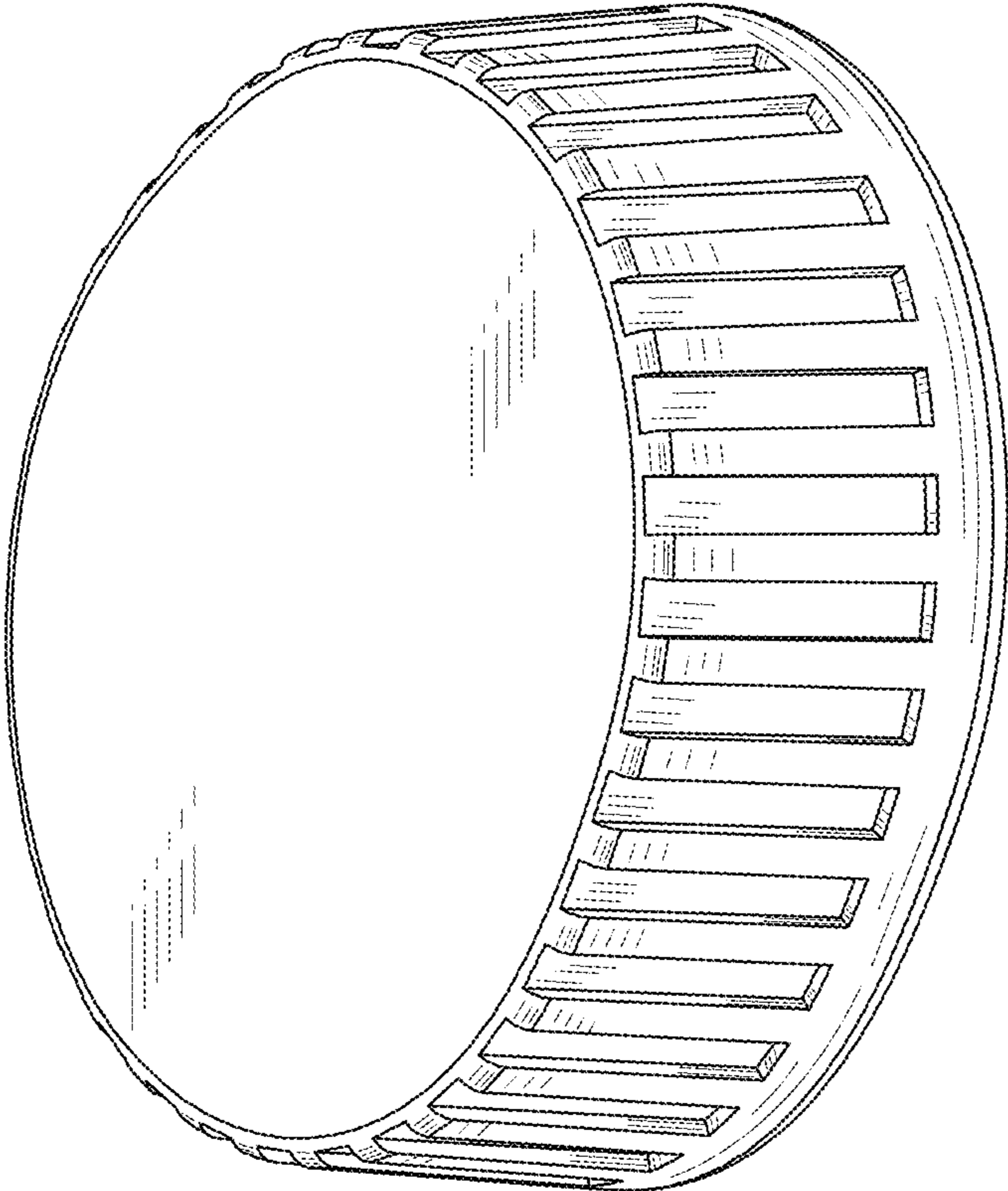


FIG. 1

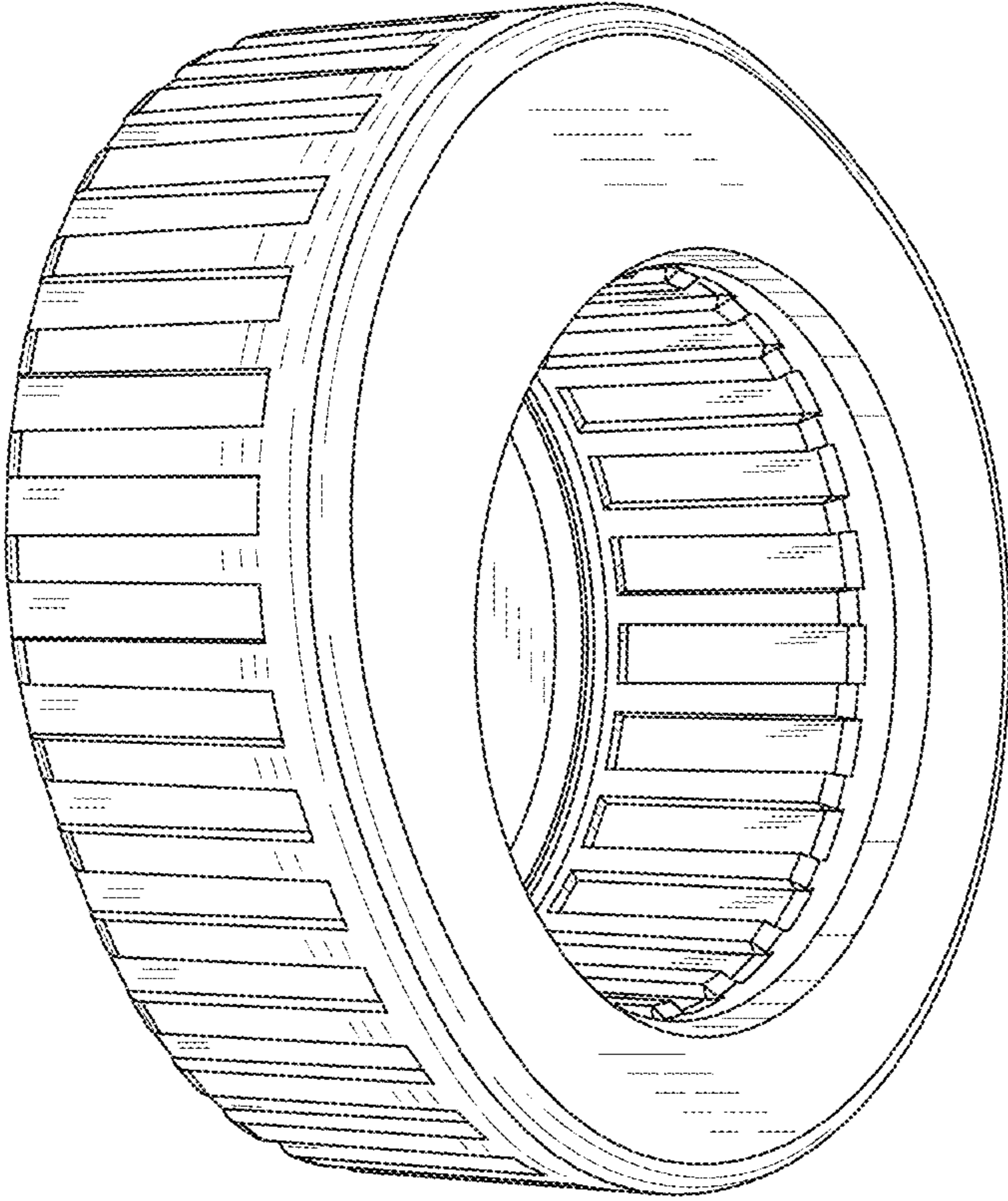


FIG. 2

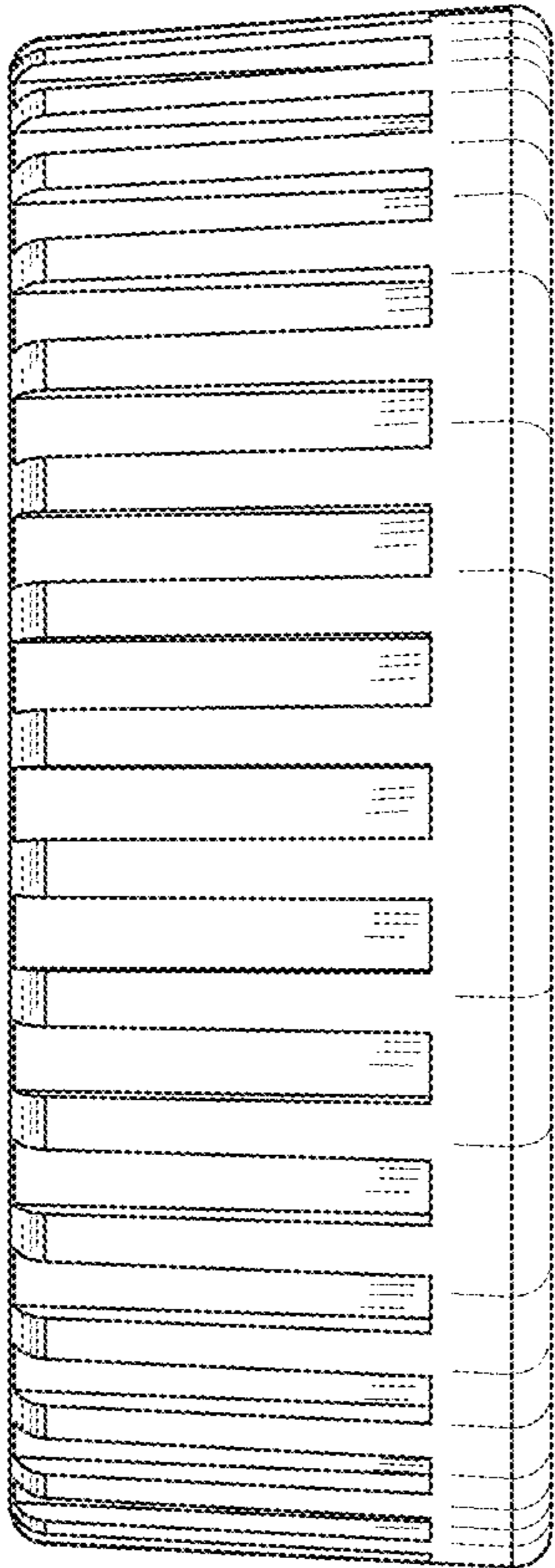


FIG. 3

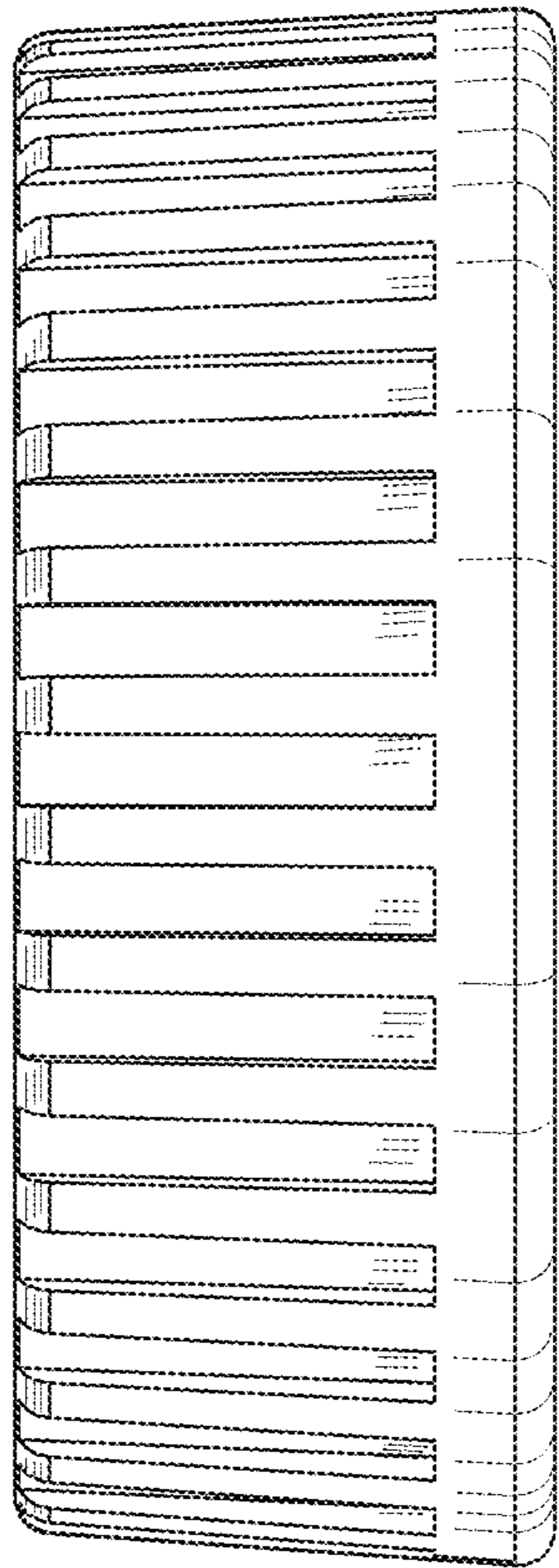


FIG. 4

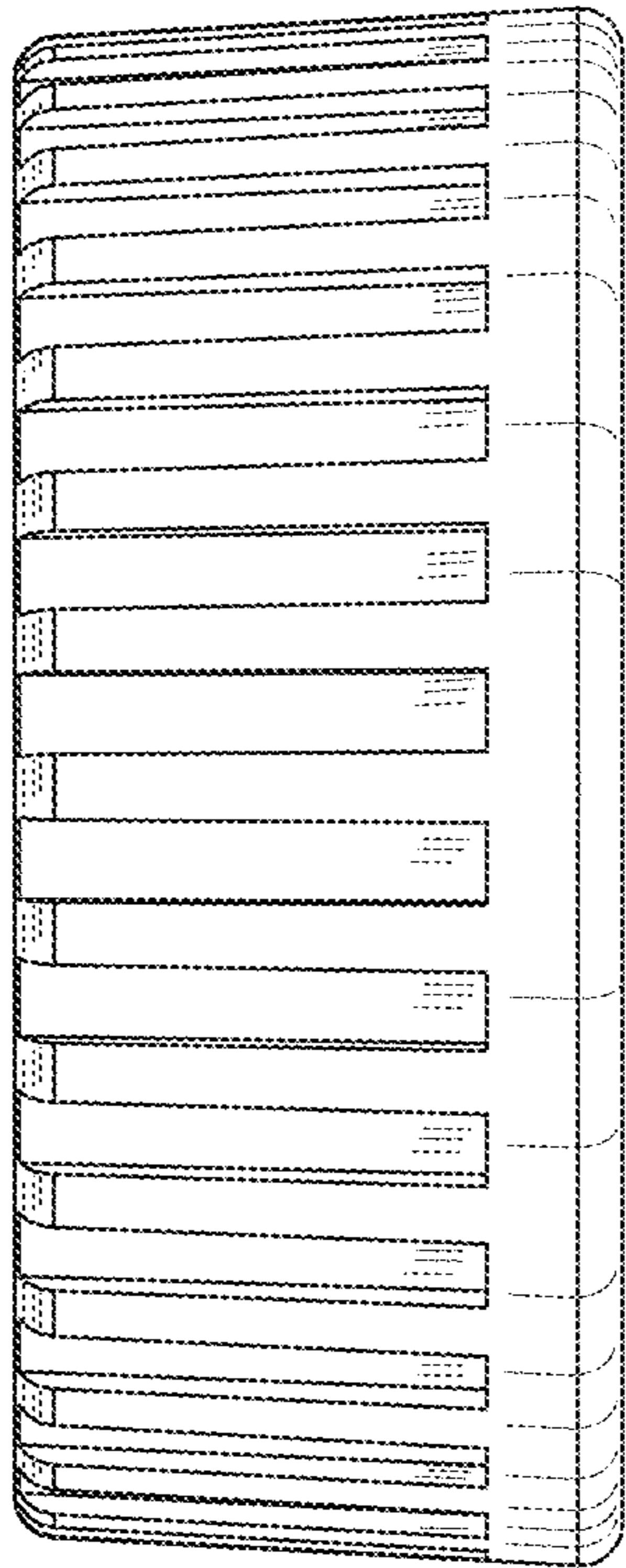


FIG. 5

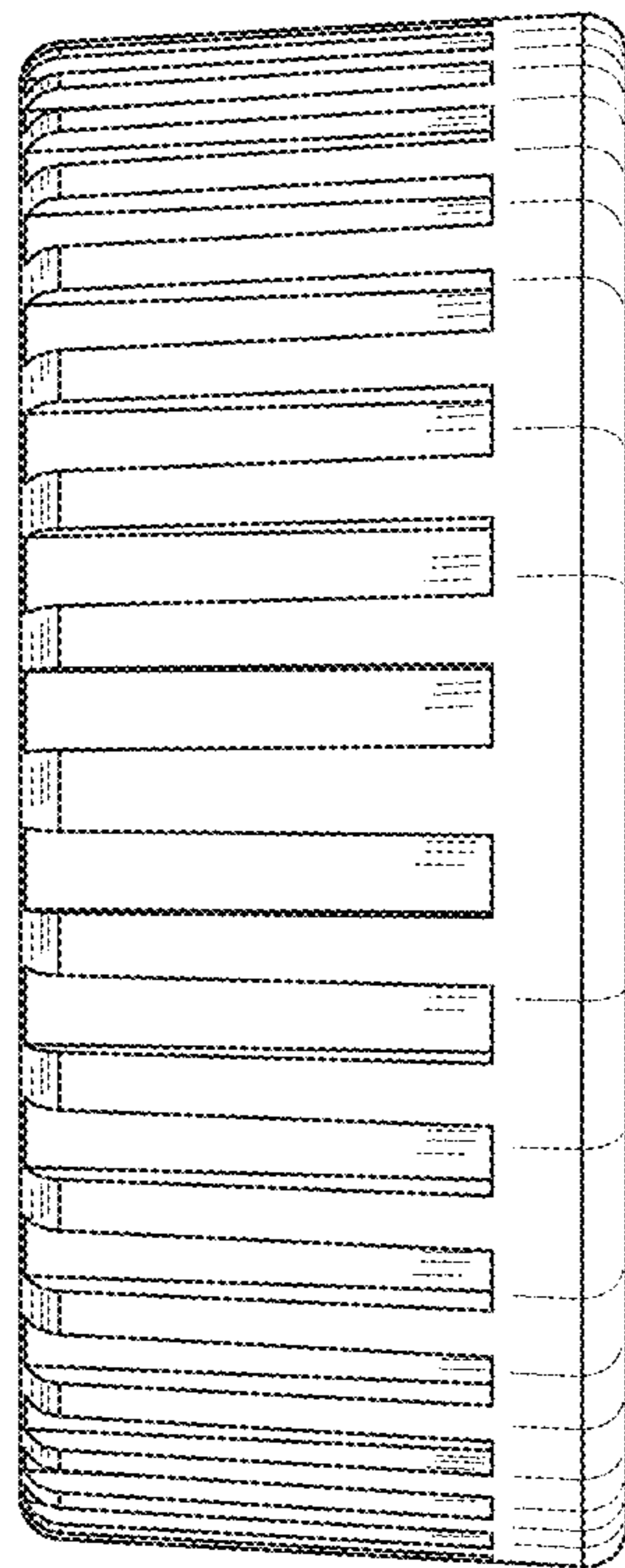


FIG. 6

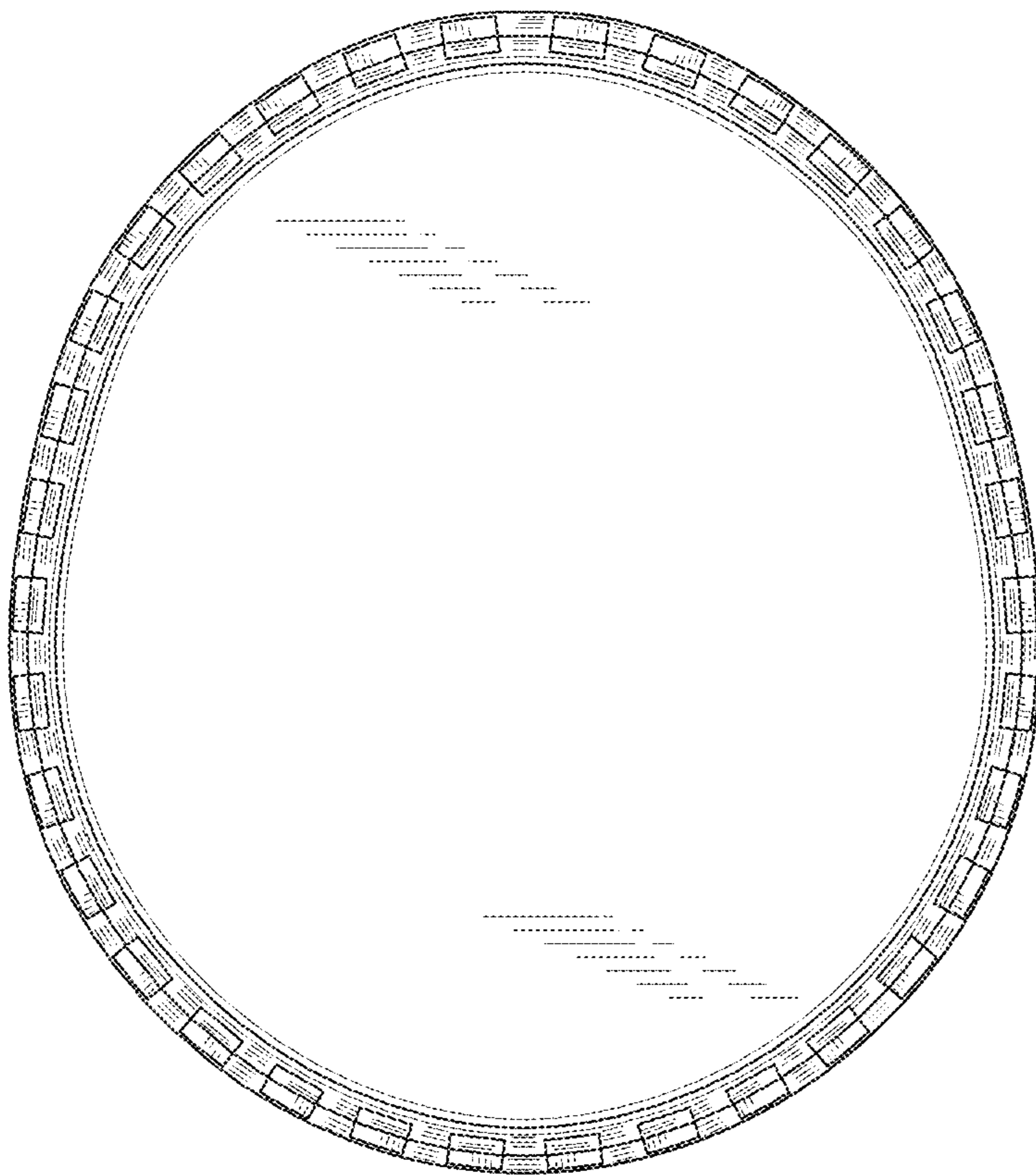


FIG. 7

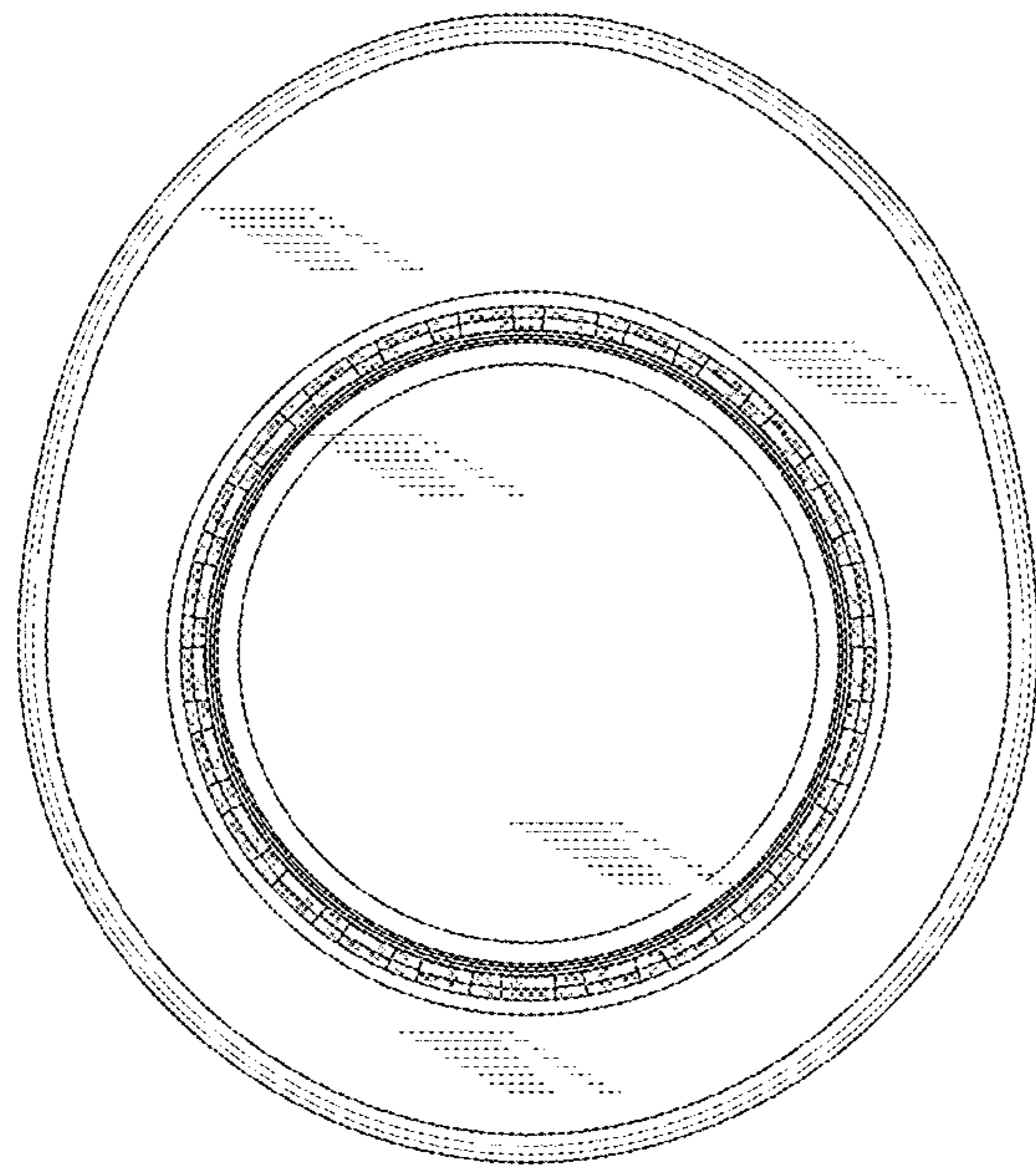


FIG. 8