



US00D799923S

(12) **United States Design Patent**
Hyust et al.

(10) **Patent No.:** **US D799,923 S**
(45) **Date of Patent:** **** Oct. 17, 2017**

- (54) **WRENCH HANDLE**
- (71) Applicant: **KIRK WRENCH LLC**, Canton, OH (US)
- (72) Inventors: **Kirk W. Hyust**, Canton, OH (US);
Karl H. Beitzel, Canton, OH (US)
- (73) Assignee: **KIRK WRENCH LLC**, Canton, OH (US)
- (**) Term: **15 Years**
- (21) Appl. No.: **29/571,945**
- (22) Filed: **Jul. 22, 2016**
- (51) **LOC (10) Cl.** **08-05**
- (52) **U.S. Cl.**
USPC **D8/25**
- (58) **Field of Classification Search**
USPC D8/17, 21-29; 81/58, 58.2, 119, 124.2,
81/124.4, 125.1, 186
CPC B25B 13/02; B25B 13/08; B25B 13/04;
B25B 13/065
See application file for complete search history.

7,845,254 B2 * 12/2010 Lionel B25B 7/22
7/127
8,113,094 B1 * 2/2012 Brackbill B25B 15/00
7/138
8,485,072 B2 7/2013 Swing
D751,874 S * 3/2016 Hills D8/105

OTHER PUBLICATIONS

Author Unknown, picture of 3 wrenches with two labeled "Stanley", webpage, date unknown, 1 page, publisher unknown, found on the internet Oct. 28, 2015.
Author Unknown, picture of wrenches labeled 35-1 to 37-8, webpage, date unknown, 1 page, publisher unknown, found on the internet Oct. 28, 2015.
Fire Fighter Equipment Store, Akron #19 Universal Suction Spanner Wrench, webpage, date unknown, 1 page, found on the internet Oct. 28, 2015.
General Tools & Instruments, 140XL Basin Wrench Large Jaw, webpage, date unknown, 1 page, found on the internet Oct. 28, 2015.

* cited by examiner

Primary Examiner — Randall Gholson
(74) *Attorney, Agent, or Firm* — Hudak, Shunk and Farine Co., LPA

(57) **CLAIM**

The ornamental design for a wrench handle, as shown and described.

DESCRIPTION

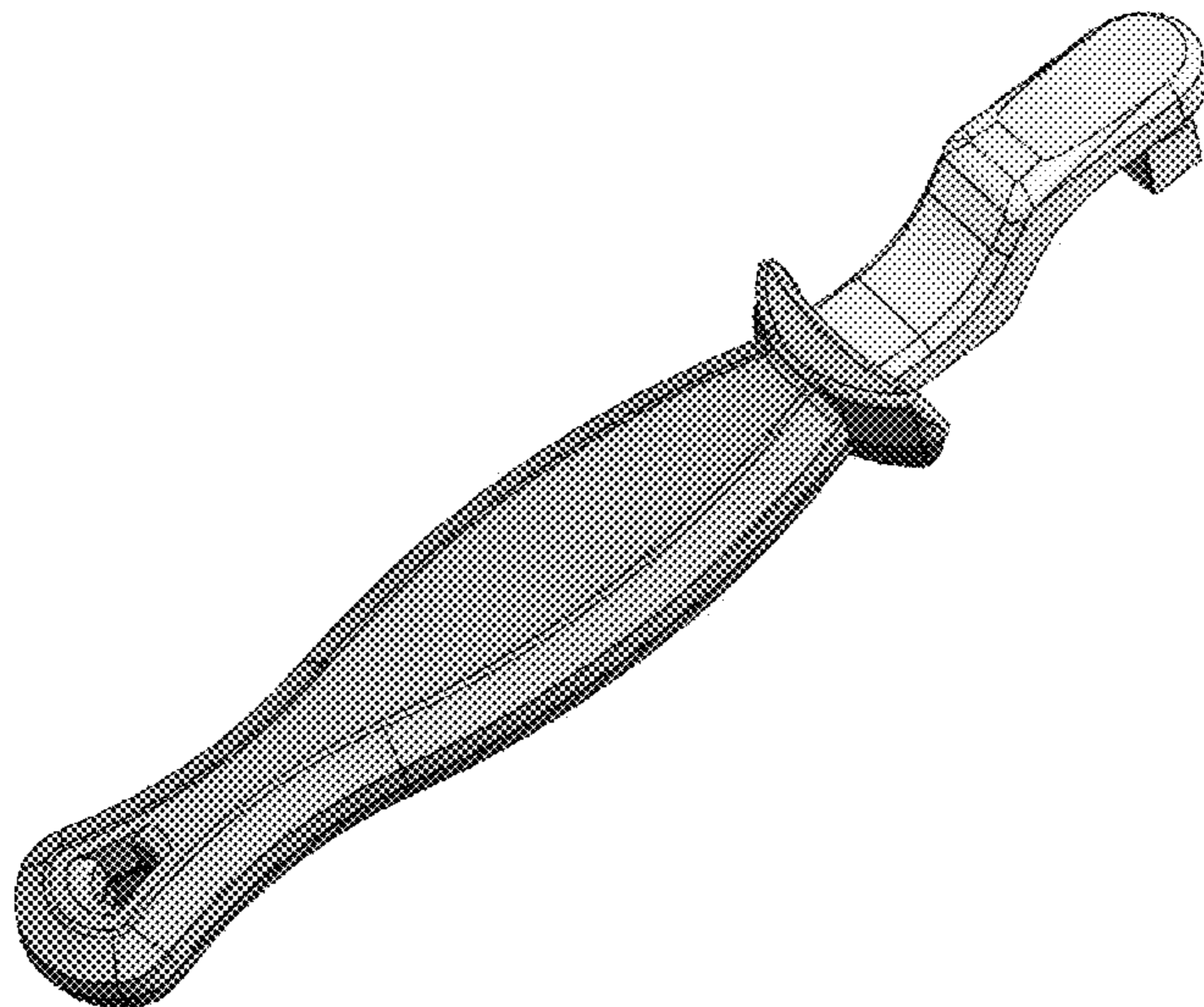
FIG. 1 is a front right side perspective view;
FIG. 2 is a right side view;
FIG. 3 is a left side view;
FIG. 4 is a top view;
FIG. 5 is a bottom view;
FIG. 6 is a front view;
FIG. 7 is a back view;
FIG. 8 is a back right side perspective view; and,
FIG. 9 is a back left side perspective view.

1 Claim, 9 Drawing Sheets

(56) **References Cited**

U.S. PATENT DOCUMENTS

174,745 A	3/1876	Squire	
1,384,887 A	7/1921	Burndahl	
1,400,285 A	12/1921	Hart	
1,568,442 A	1/1926	Carver	
1,840,685 A	1/1932	Wetherup et al.	
2,804,794 A	9/1957	Stang	
3,715,937 A	2/1973	Cade et al.	
D244,252 S *	5/1977	Ardis	D8/105
D281,216 S *	11/1985	Cutliff, Jr.	D8/26
5,870,932 A	2/1999	Brooke	
D618,974 S *	7/2010	Brown	D8/25



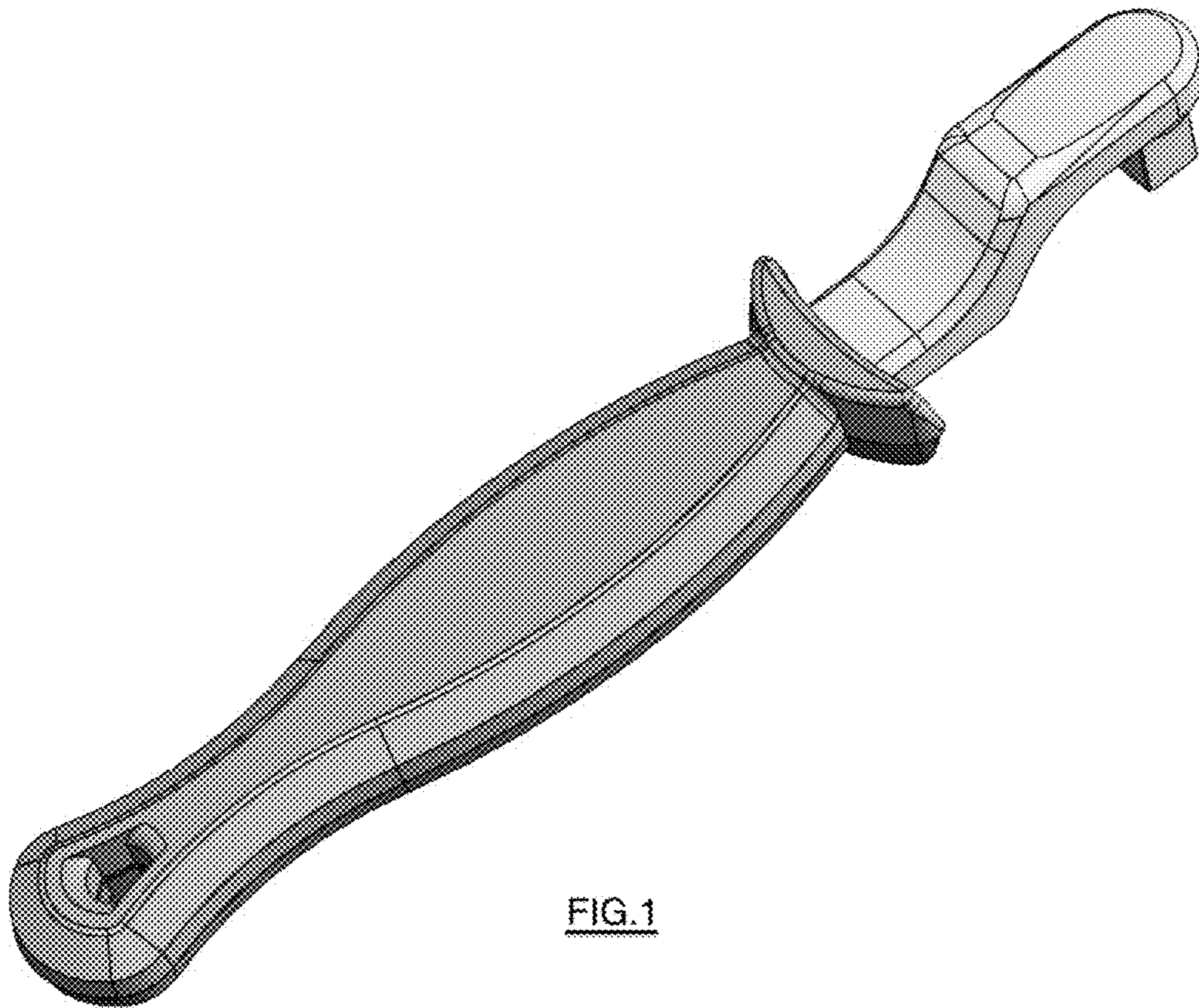


FIG.1



FIG. 2

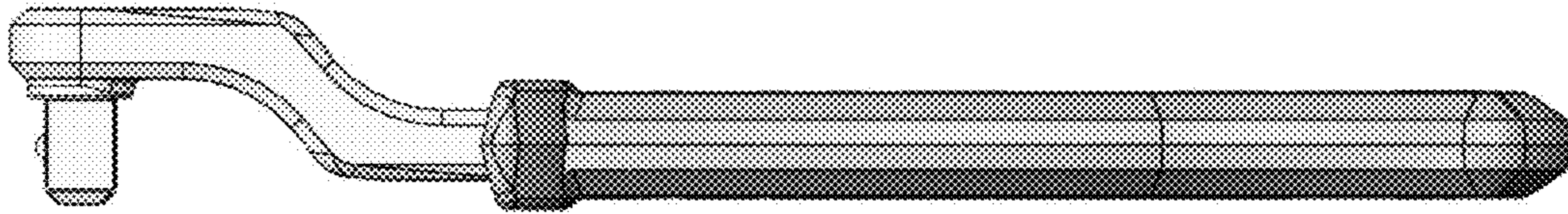


FIG. 3

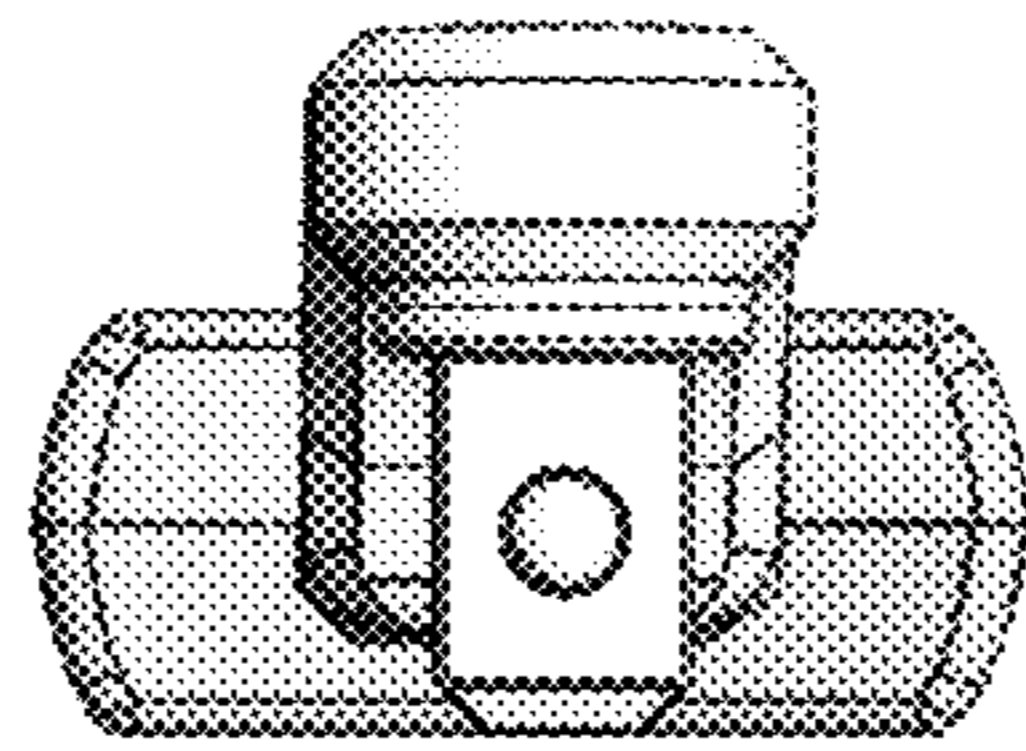


FIG. 4

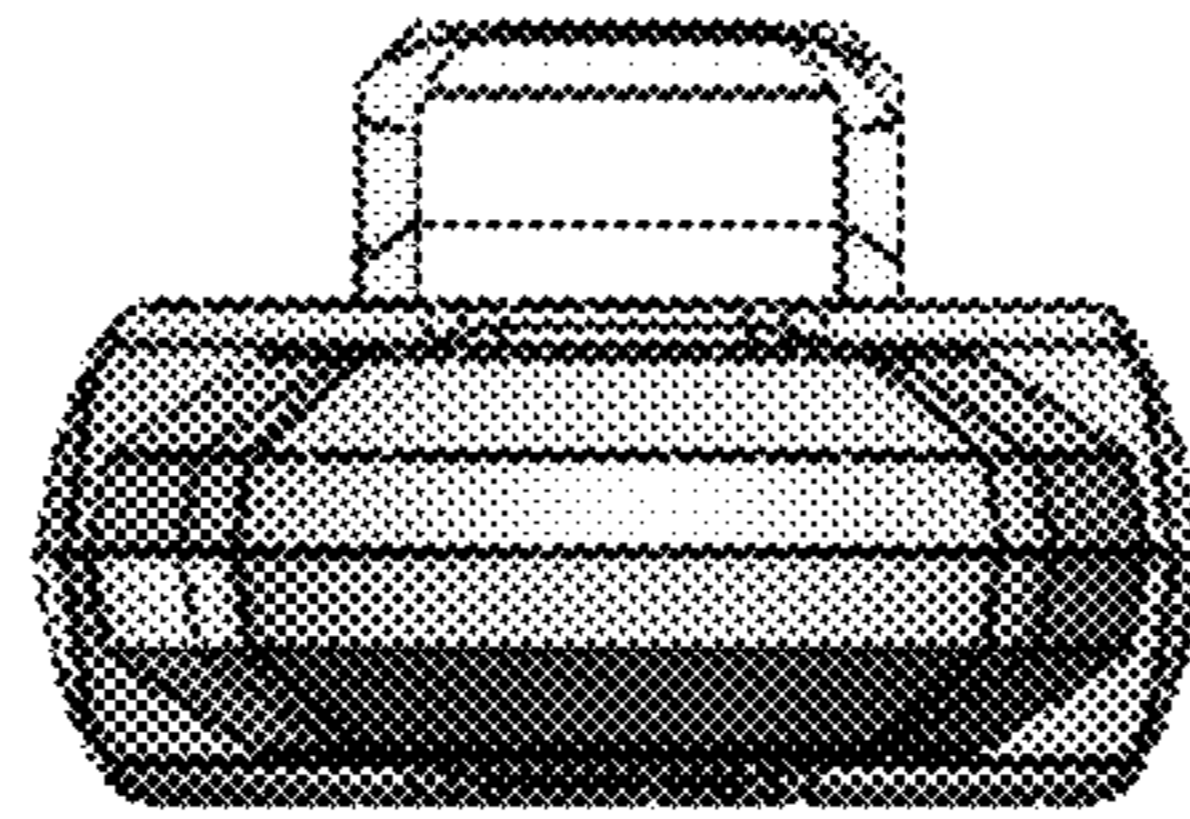


FIG. 5

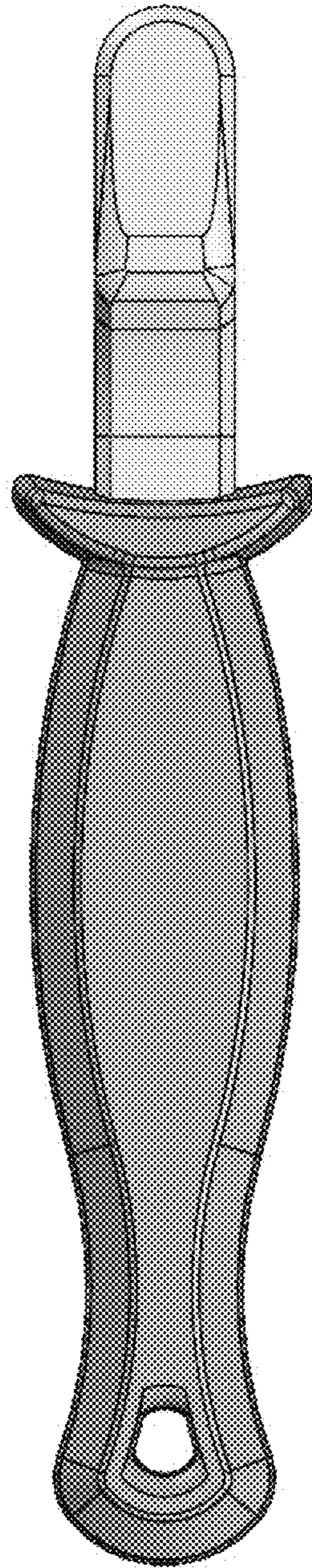


FIG. 6

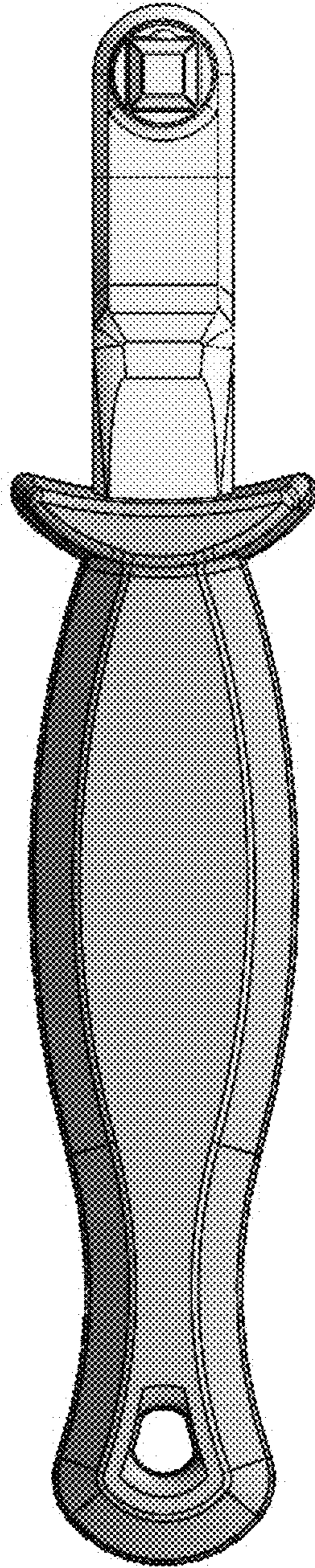


FIG. 7

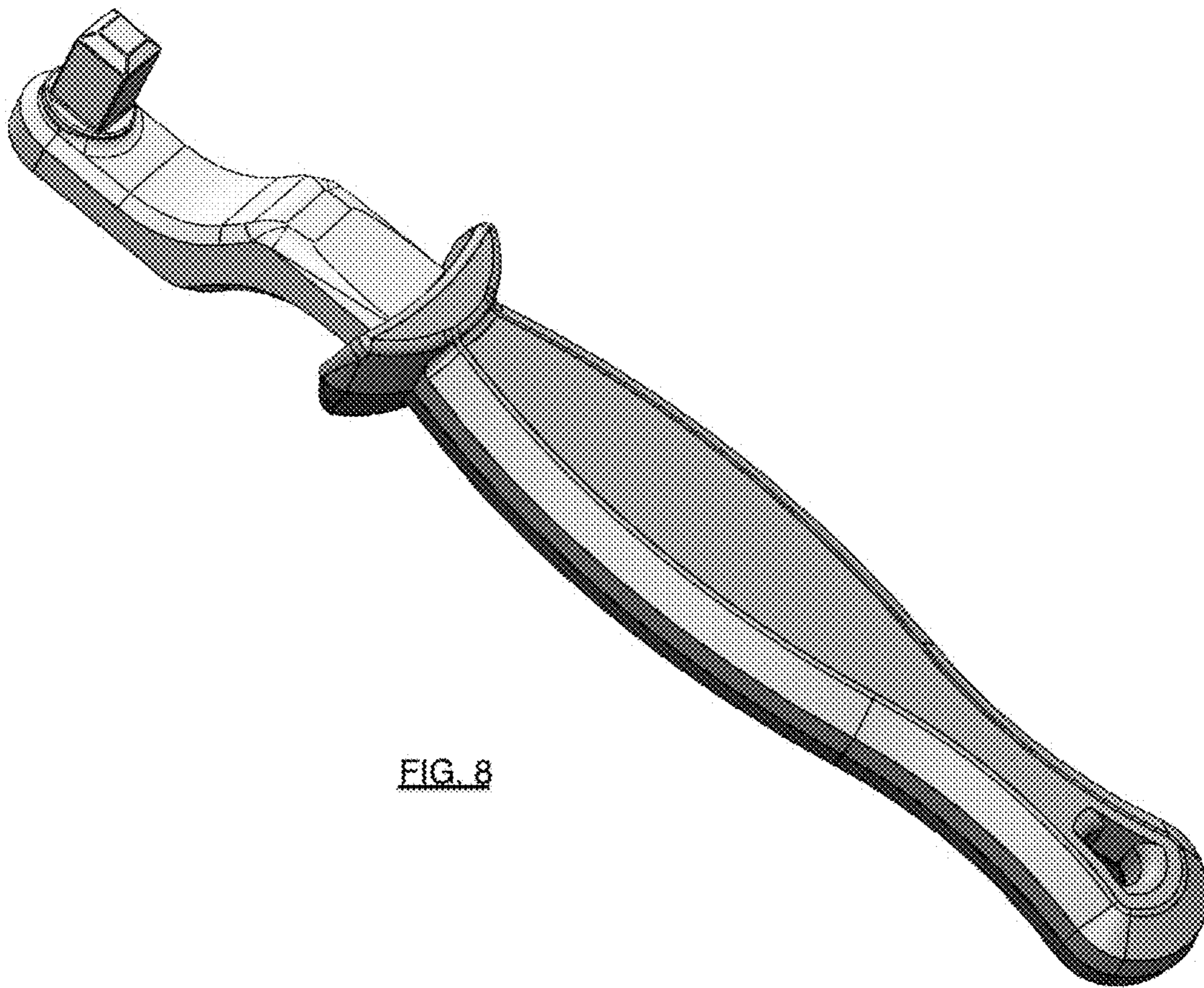


FIG. 8

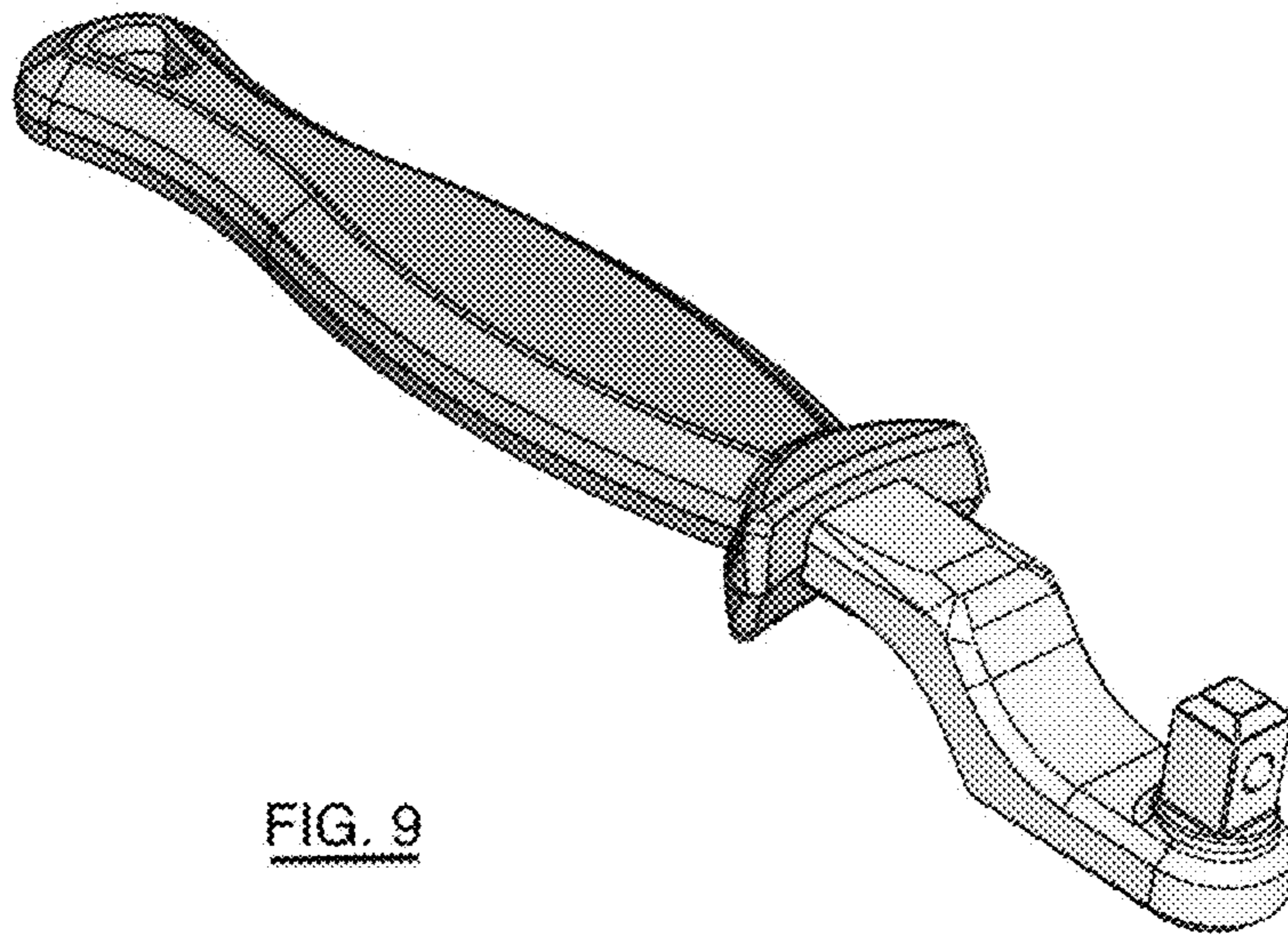


FIG. 9