



US00D799922S

(12) **United States Design Patent**
Yang

(10) **Patent No.:** **US D799,922 S**

(45) **Date of Patent:** **** Oct. 17, 2017**

(54) **WRENCH**

8,621,963 B2 * 1/2014 Johnson B25B 13/461
81/177.5

(71) Applicant: **Te-Chuan Yang**, Taichung (TW)

* cited by examiner

(72) Inventor: **Te-Chuan Yang**, Taichung (TW)

Primary Examiner — Randall Gholson

(**) Term: **15 Years**

(74) *Attorney, Agent, or Firm* — Alan D. Kamrath;
Kamrath IP Lawfirm, P.A.

(21) Appl. No.: **29/571,622**

(57) **CLAIM**

The ornamental design for a wrench, as shown and described.

(22) Filed: **Jul. 20, 2016**

(51) **LOC (10) Cl.** **08-05**

DESCRIPTION

(52) **U.S. Cl.**
USPC **D8/25**

(58) **Field of Classification Search**
USPC D8/17, 21-29; 81/58, 58.2, 119, 124.2,
81/124.4, 125.1, 186
CPC B25B 13/02; B25B 13/08; B25B 13/04;
B25B 13/065
See application file for complete search history.

FIG. 1 is a perspective view of a wrench showing my design;
FIG. 2 is a front elevational view thereof;
FIG. 3 is a rear elevational view thereof;
FIG. 4 is a left side elevational view thereof;
FIG. 5 is a right side elevational view thereof;
FIG. 6 is a top plan view thereof;
FIG. 7 is a bottom plan view thereof;
FIG. 8 is a perspective view showing an application of the
present invention; and,
FIG. 9 is a perspective view showing a second application
of the present invention.

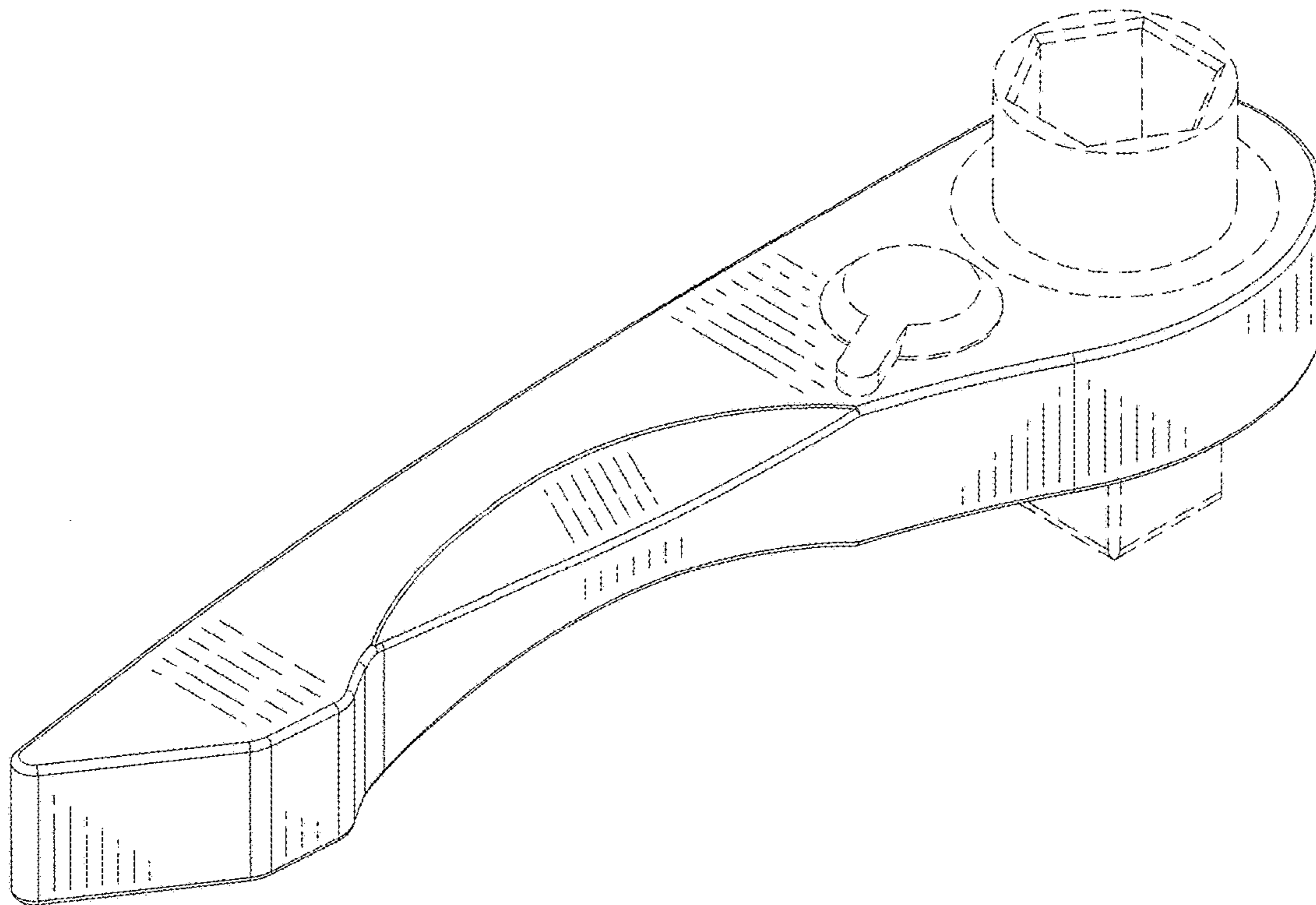
The broken lines shown in the drawing are for illustrative
purposes only, and form no part of the claimed design.

(56) **References Cited**

U.S. PATENT DOCUMENTS

D456,677 S * 5/2002 Kolacz D8/27
D594,299 S * 6/2009 Noyes D8/21
D660,666 S * 5/2012 Chang D8/25

1 Claim, 8 Drawing Sheets



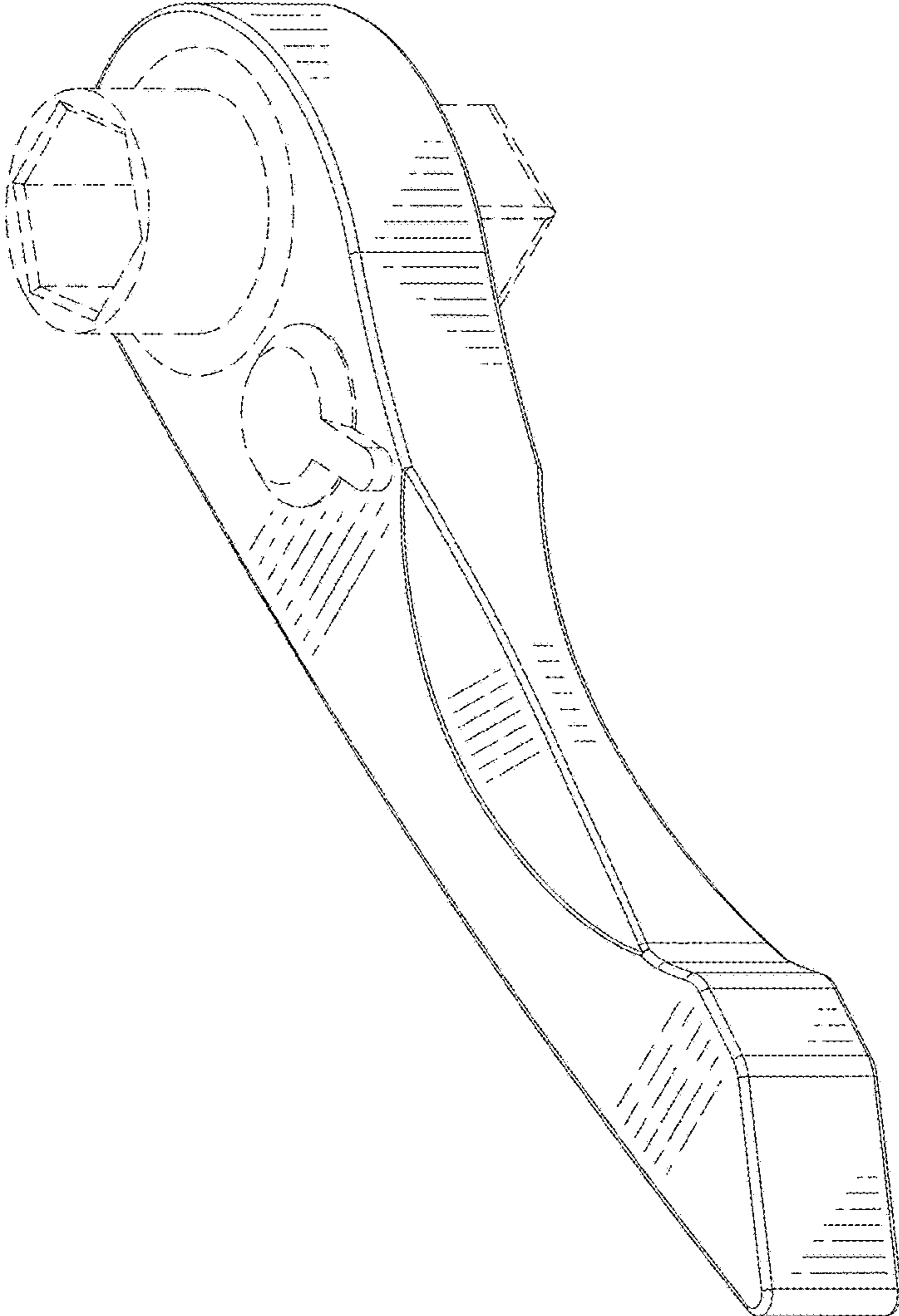


FIG. 1

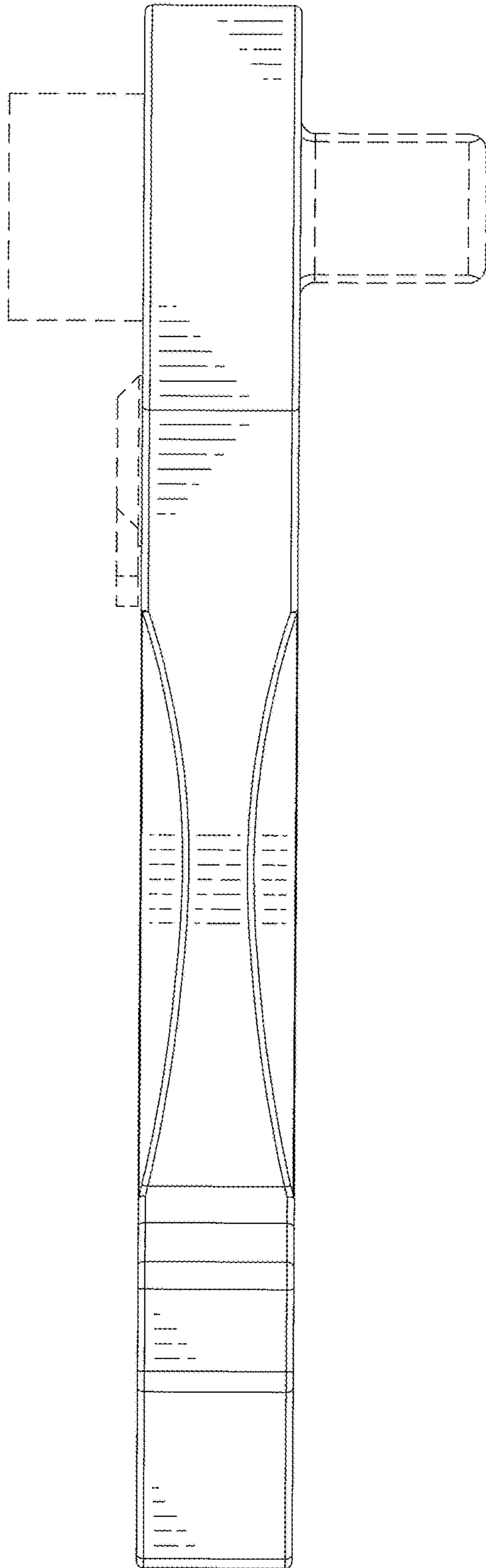


FIG. 2

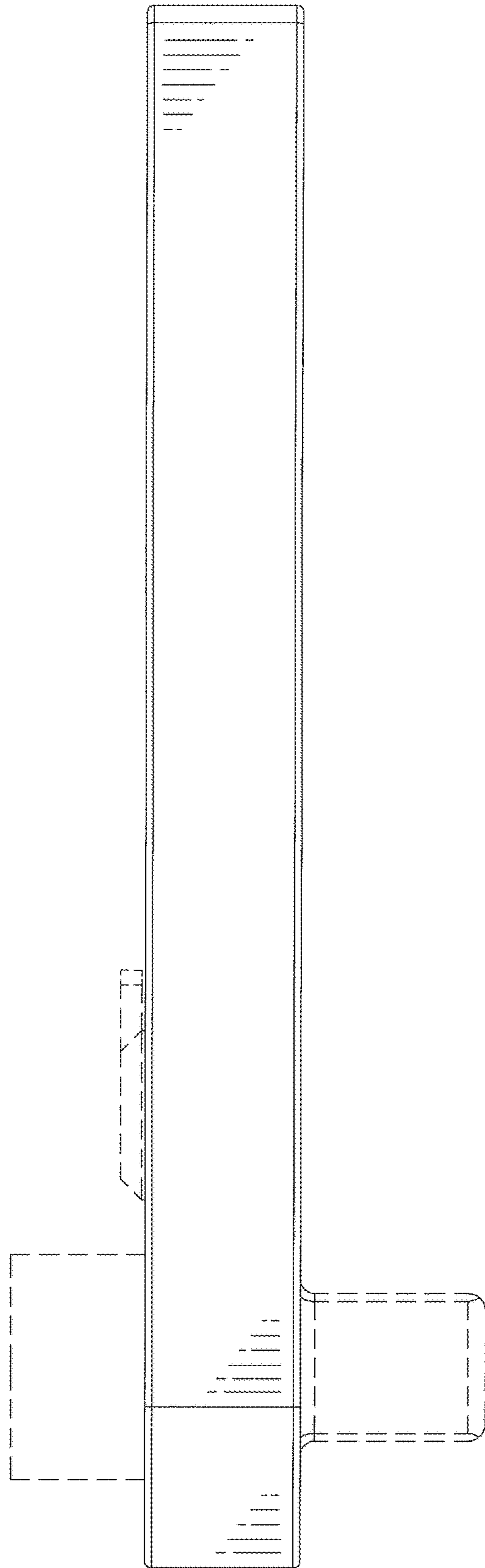


FIG. 3

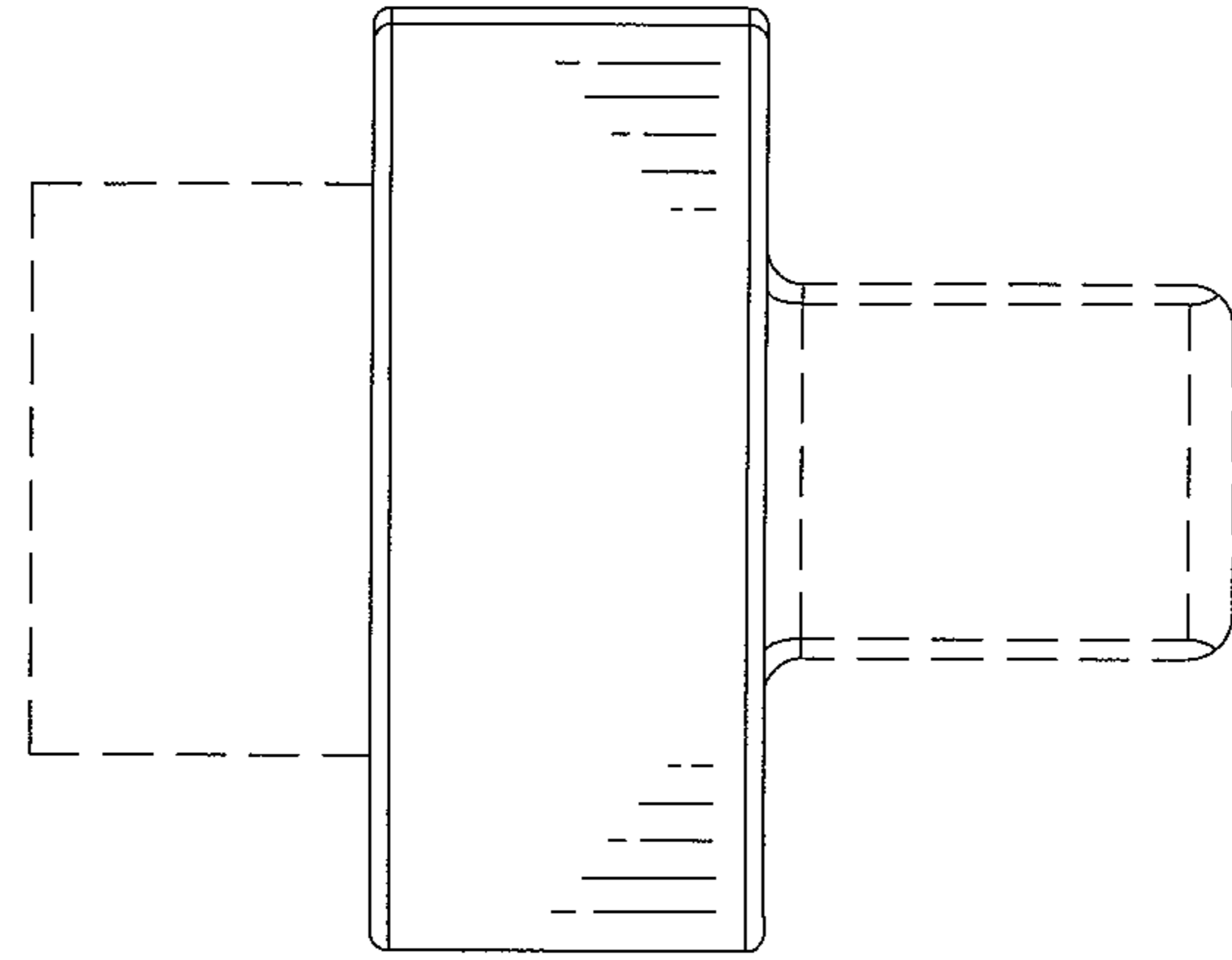


FIG. 5

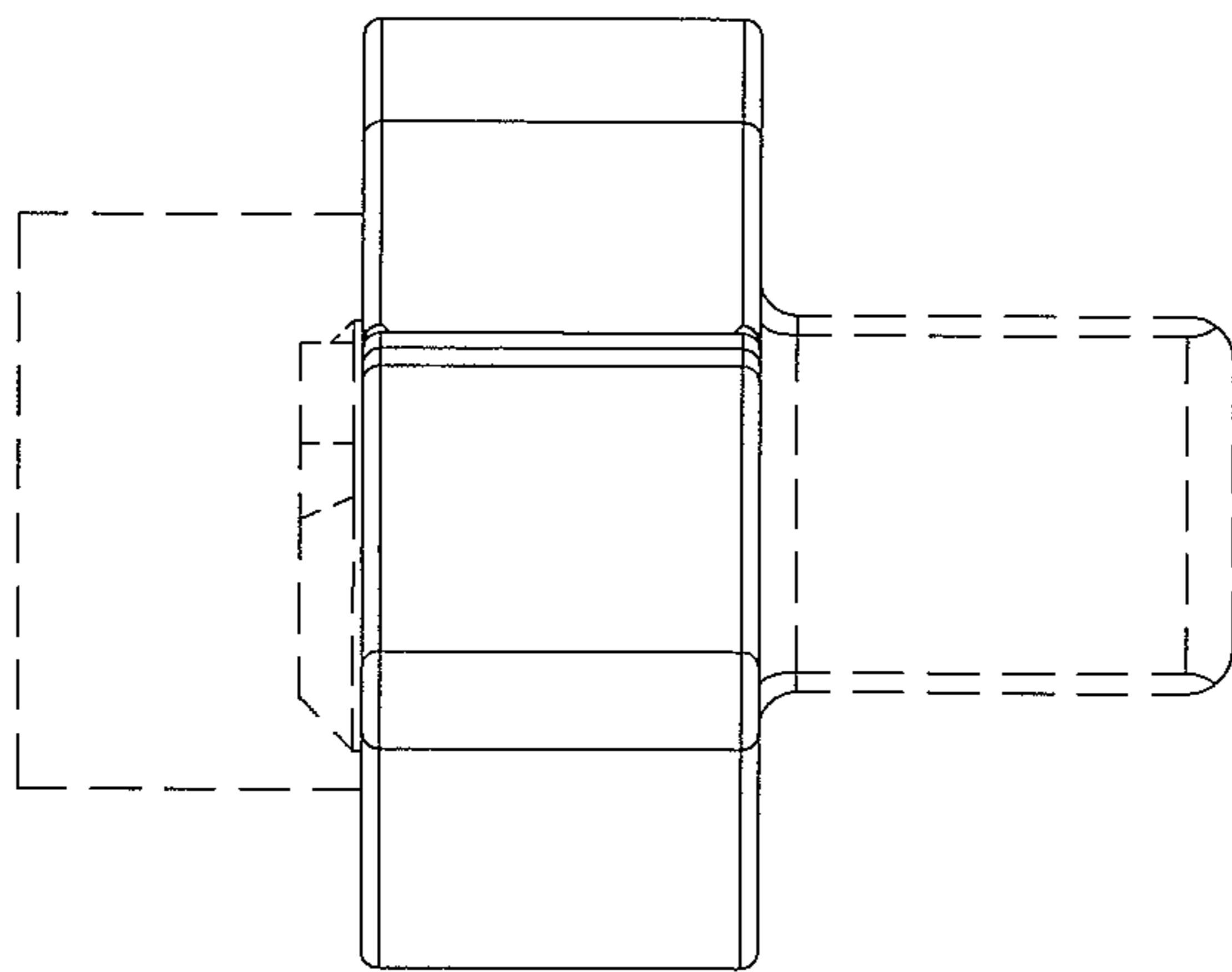


FIG. 4

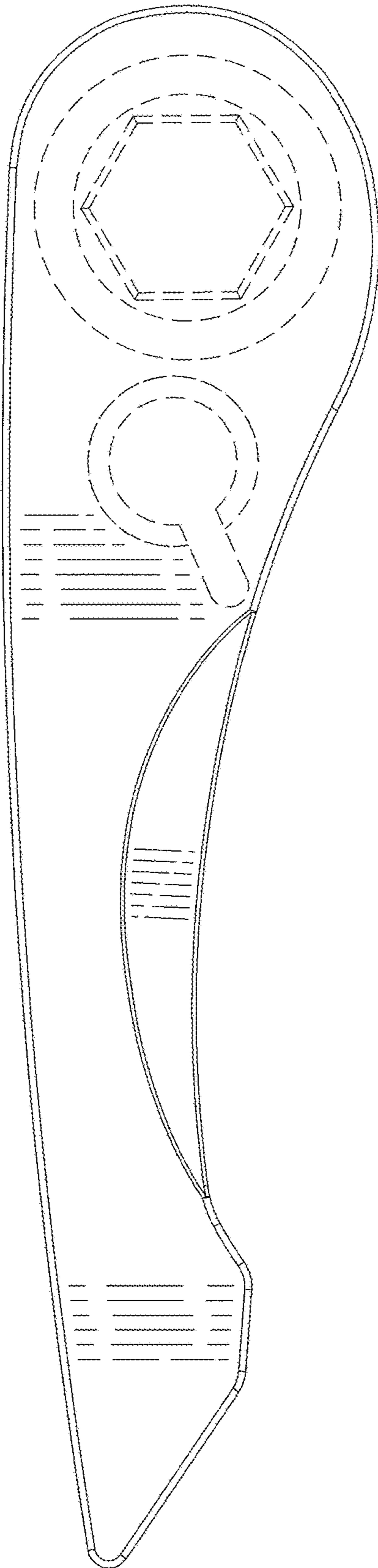


FIG. 6

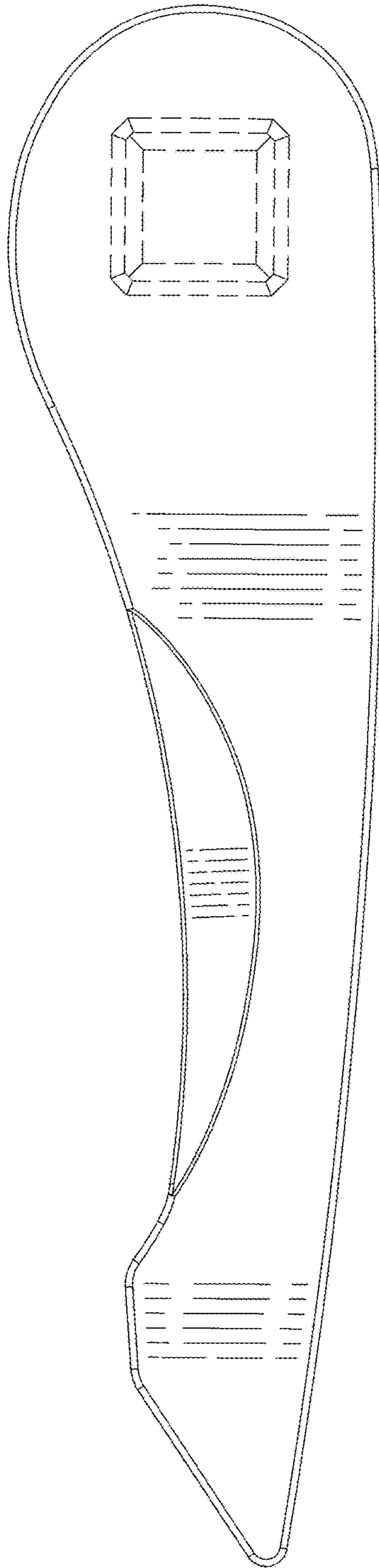


FIG. 7

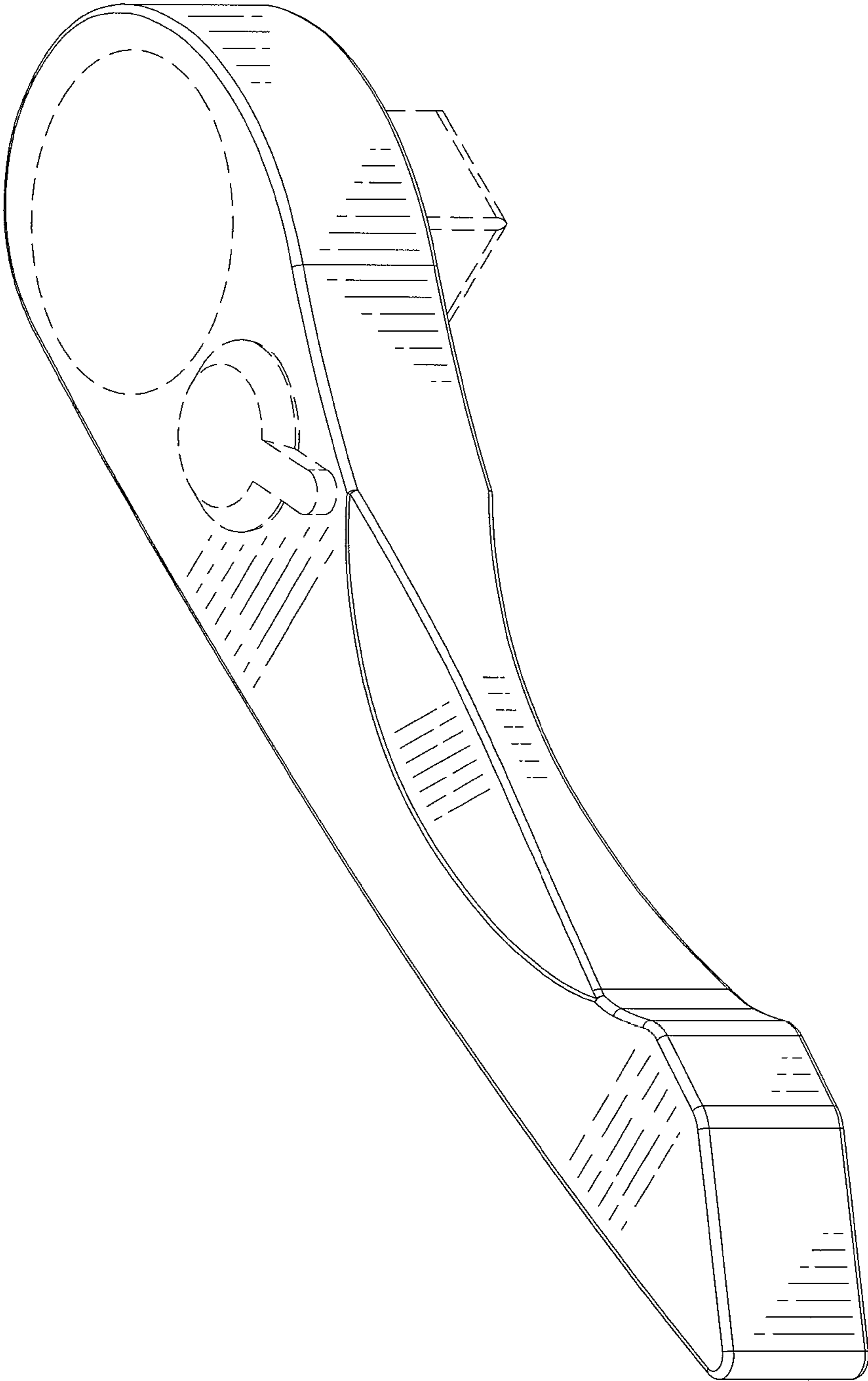


FIG. 8

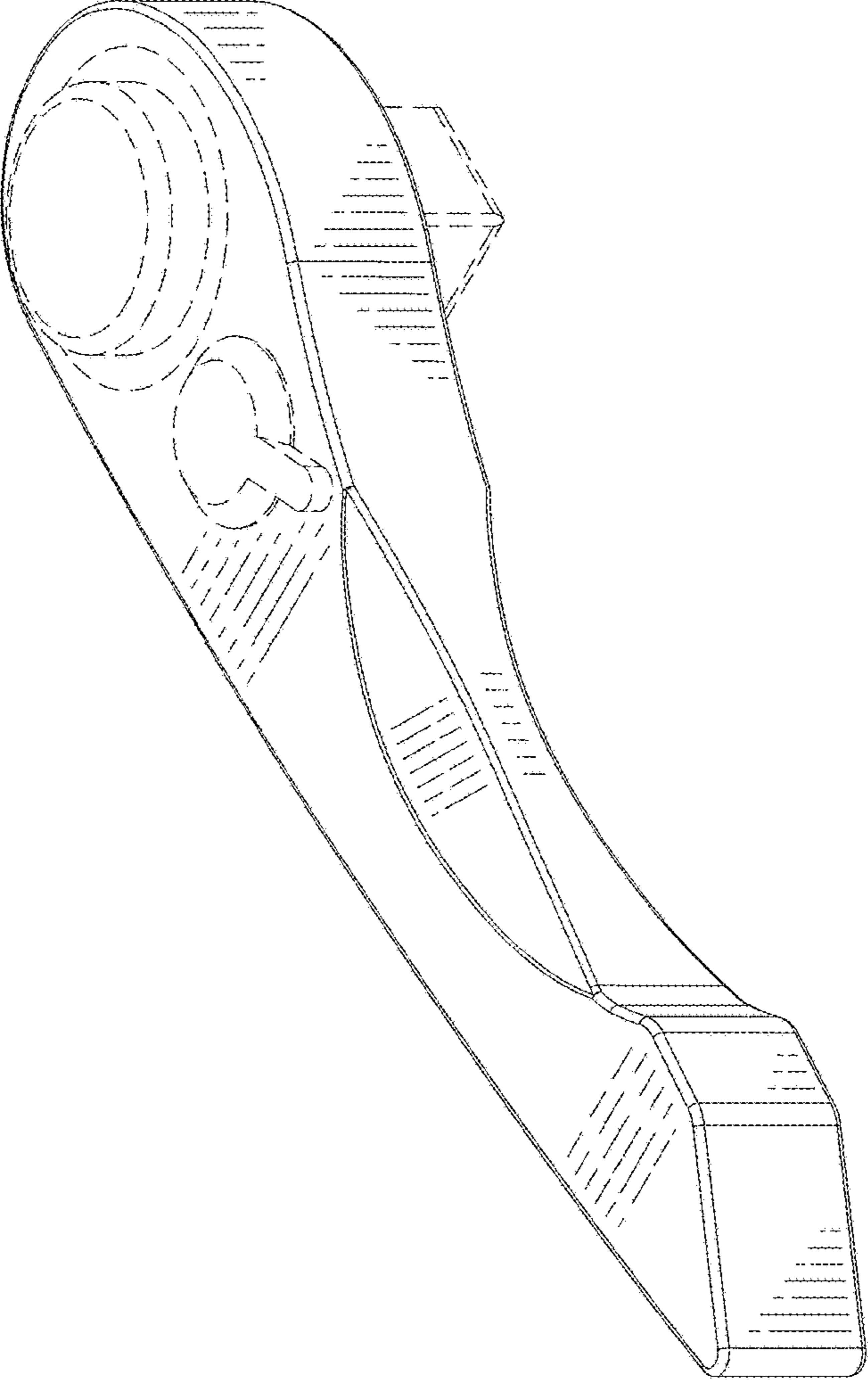


FIG. 9