

US00D799921S

(12) **United States Design Patent**
Herrick

(10) **Patent No.:** **US D799,921 S**

(45) **Date of Patent:** **** Oct. 17, 2017**

- (54) **COLLAR WRENCH**
- (71) Applicant: **Rod Herrick**, Whitefish, MT (US)
- (72) Inventor: **Rod Herrick**, Whitefish, MT (US)
- (73) Assignee: **RODDIE, INC.**, Columbia Falls, MT (US)
- (**) Term: **15 Years**
- (21) Appl. No.: **29/554,361**
- (22) Filed: **Feb. 11, 2016**
- (51) **LOC (10) Cl.** **08-05**
- (52) **U.S. Cl.**
USPC **D8/21; D23/245**
- (58) **Field of Classification Search**
USPC D23/233-250; 137/625, 861, 15.8, 597, 137/884, 1.21, 561 A, 885, 595, 596.12, 137/605, 606, 637, 862; 123/184.56, 123/184.53, 184.61, 337, 90.13, 184.21, 123/184.47, 184.52; 74/519, 488, 491, 74/40, 45, 469; D8/21
CPC F16K 27/0236; F16K 27/12; F16K 1/306
See application file for complete search history.

- 5,553,975 A * 9/1996 Elkins F16L 3/11 248/74.2
- 7,942,163 B2 * 5/2011 Sauer F16L 29/007 137/614.03
- 8,365,377 B1 * 2/2013 Basiliere B25B 27/16 269/143

* cited by examiner

Primary Examiner — Randall Gholson

(74) *Attorney, Agent, or Firm* — Robin Kelson Consulting

(57) **CLAIM**

The ornamental design for a collar wrench, as shown and described.

DESCRIPTION

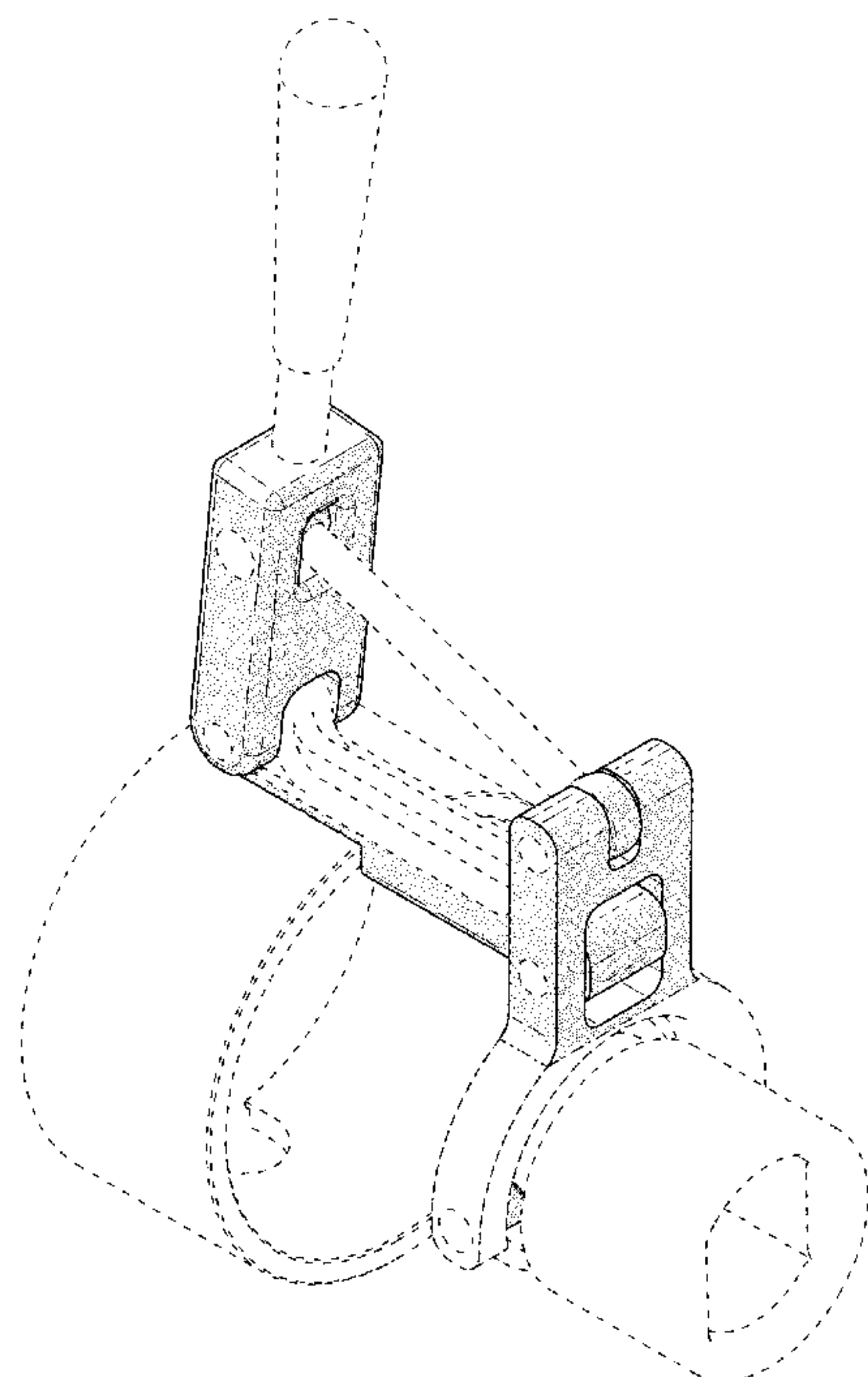
FIG. 1 is a front view of a collar wrench in accordance with the present design;
 FIG. 2 is a back view thereof;
 FIG. 3 is a right side view thereof, the left side view being a mirror image thereof;
 FIG. 4 is a top view thereof;
 FIG. 5 is a bottom view thereof;
 FIG. 6 is a front perspective view thereof showing the collar wrench in a disengaged or resting position; and
 FIG. 7 is a second front perspective view thereof showing the collar wrench in an engaged position.
 FIG. 8 is a front perspective view of a second embodiment of the present design;
 FIG. 9 is a front perspective view of a third embodiment of the present design; and,
 FIG. 10 is a front perspective view of a fourth embodiment of the present design.
 The broken lines shown in the drawings show unclaimed subject matter only and form no part of the claimed design.

1 Claim, 9 Drawing Sheets

(56) **References Cited**

U.S. PATENT DOCUMENTS

- 2,687,905 A * 8/1954 Mayhelt F16L 37/54 D8/21
- 3,752,016 A * 8/1973 Ballard B25B 13/5016 81/57.17
- 4,266,819 A * 5/1981 Pemberton B66F 9/18 294/104



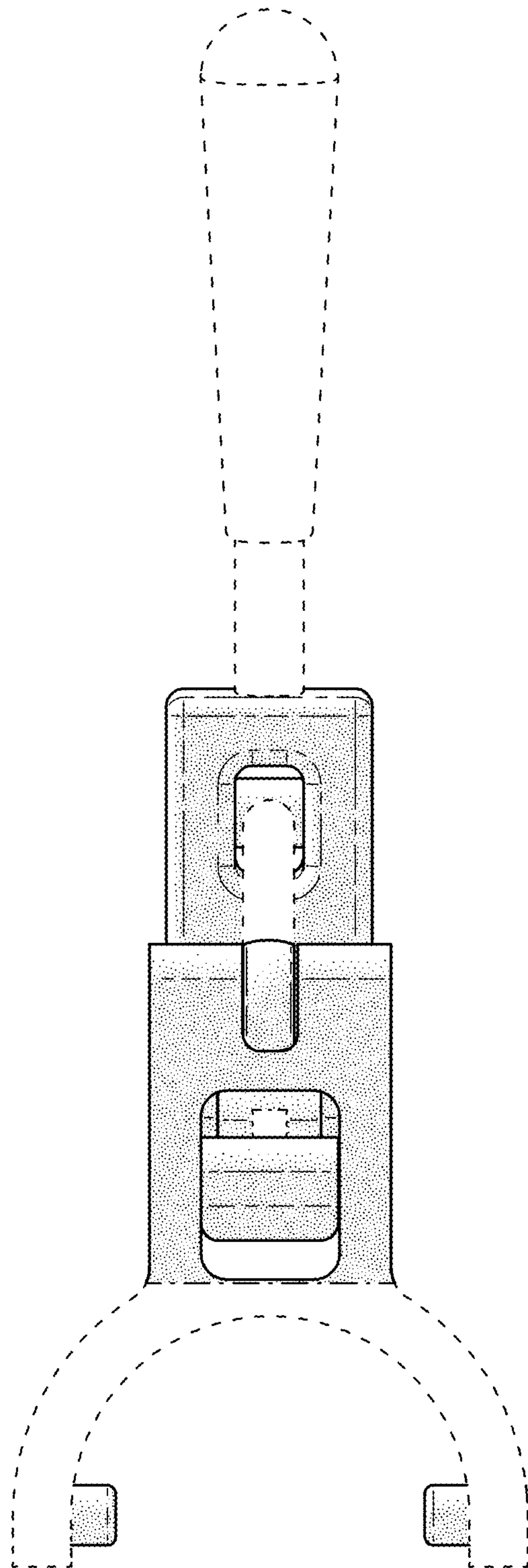


FIG. 1

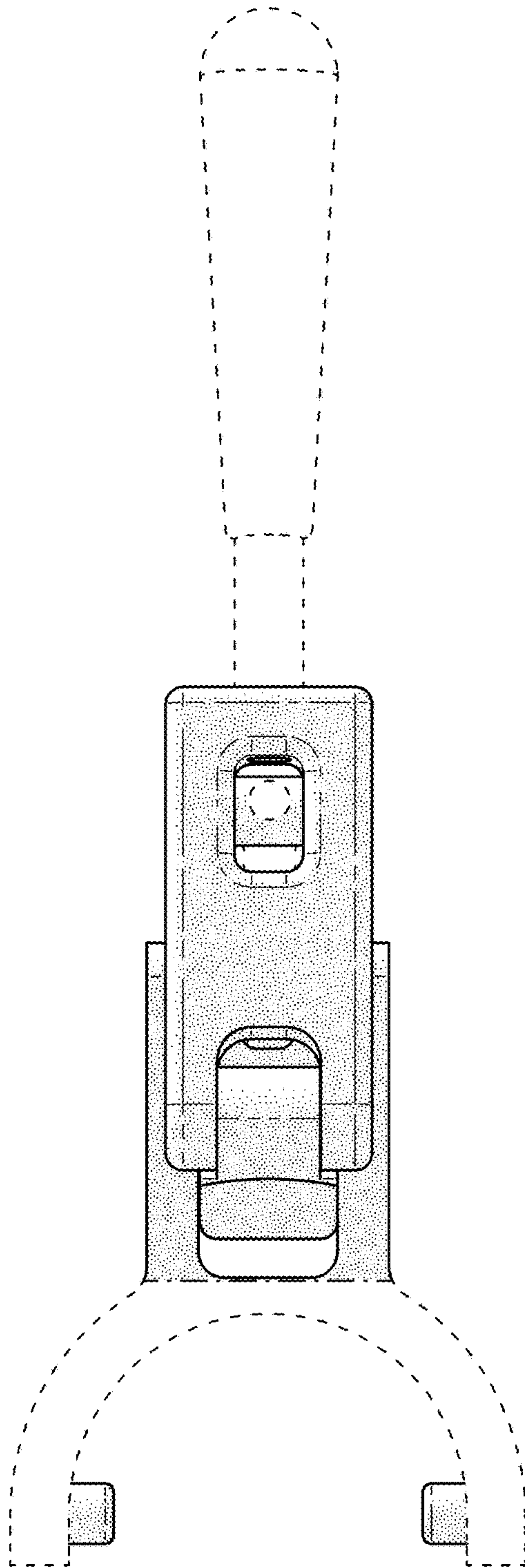


FIG. 2

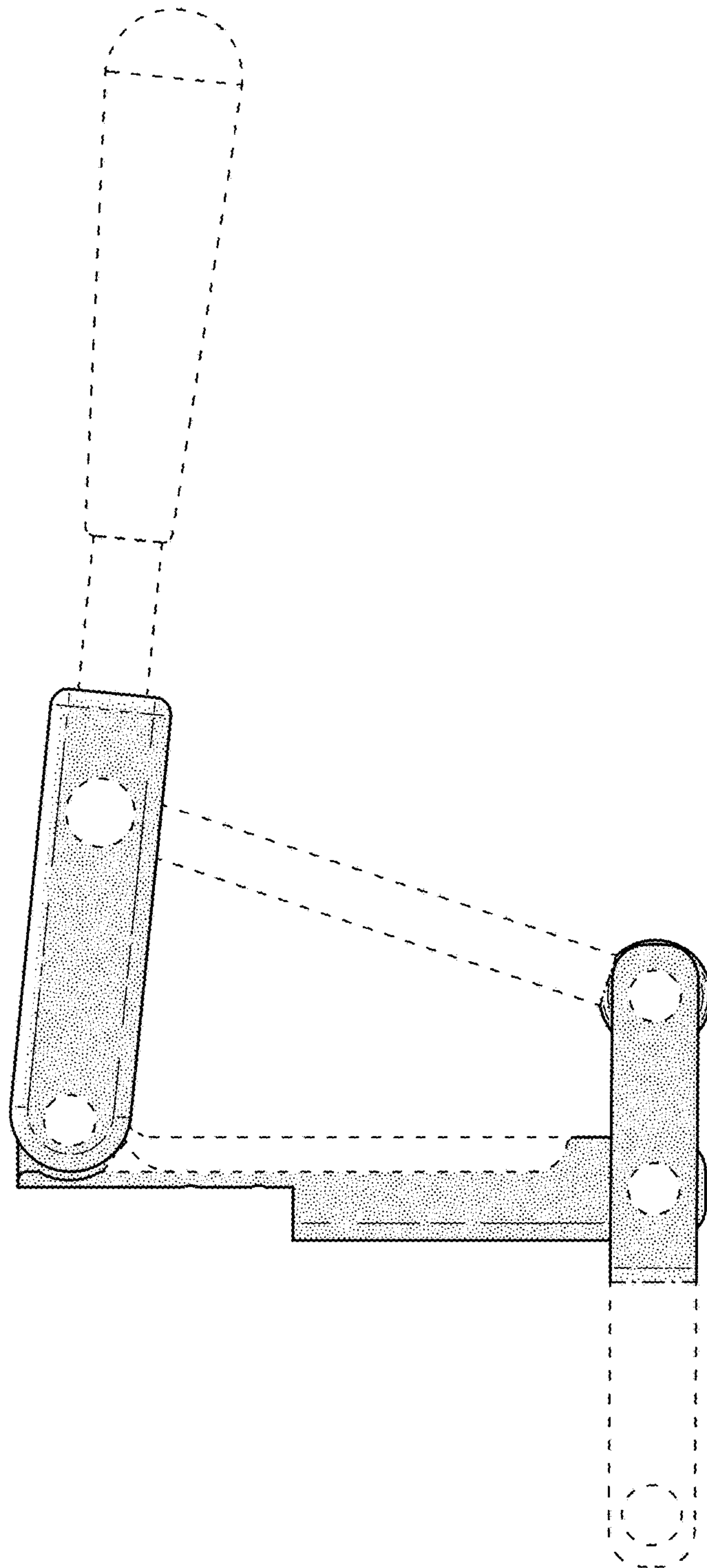


FIG. 3

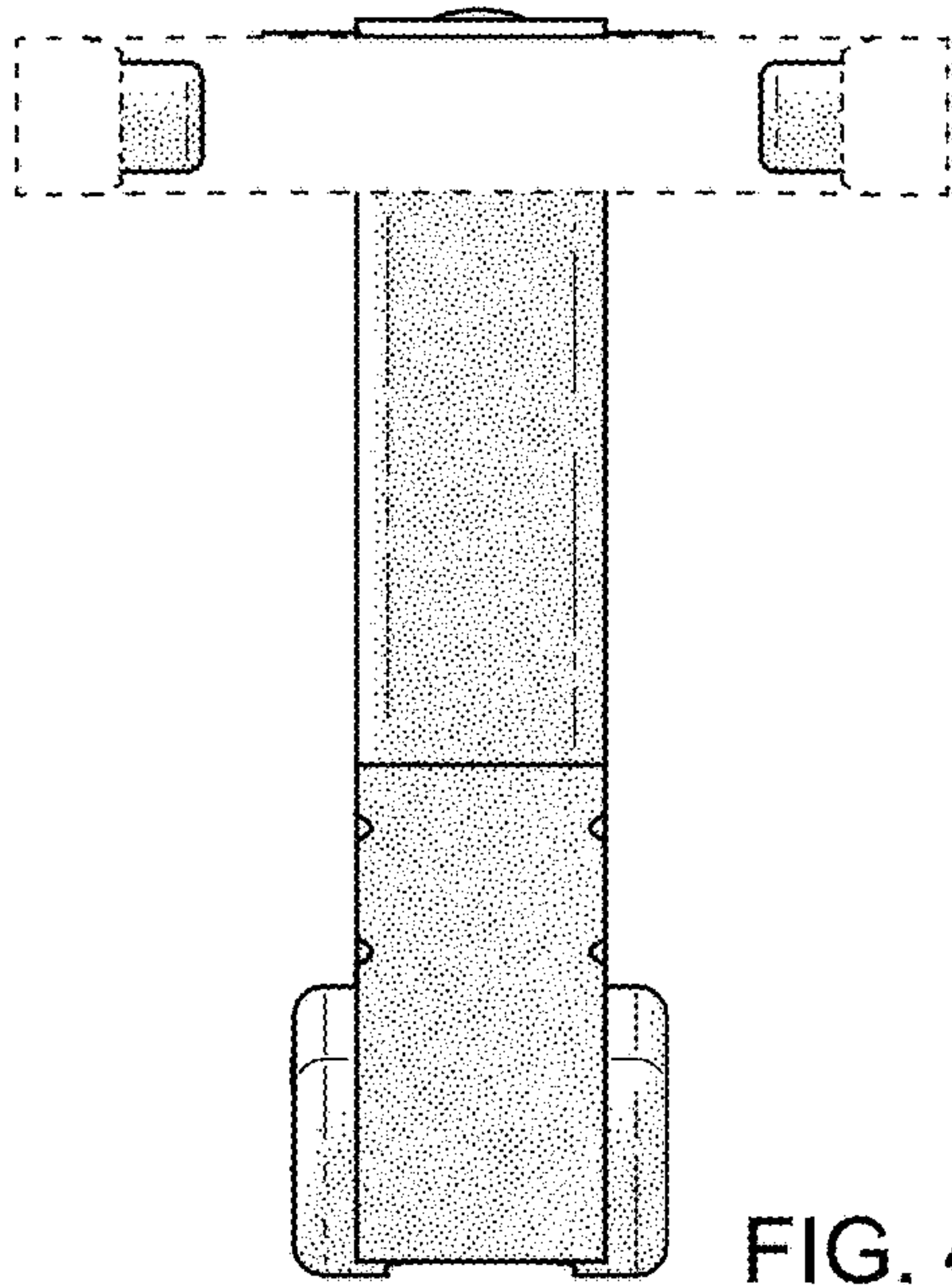


FIG. 4

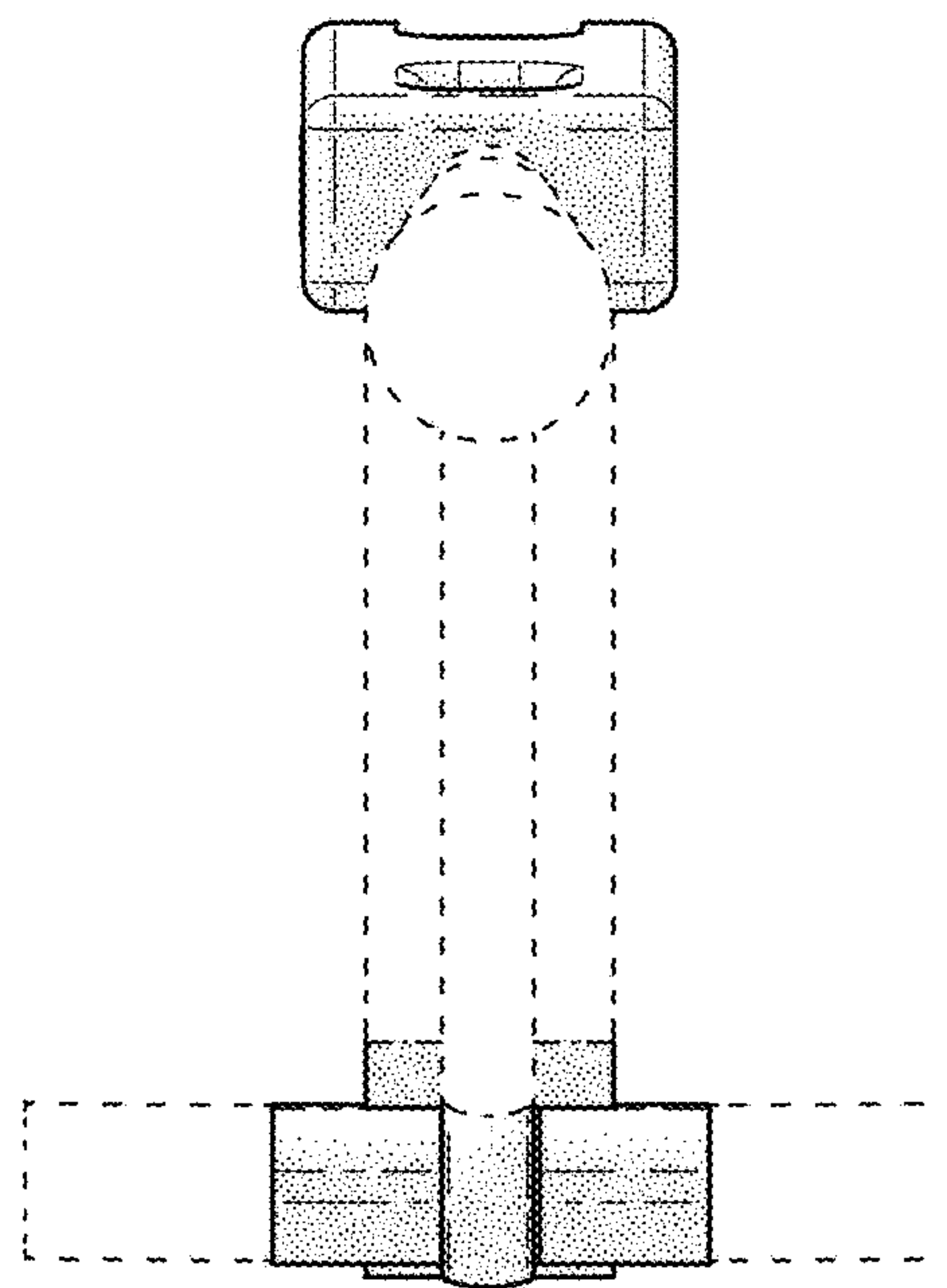


FIG. 5

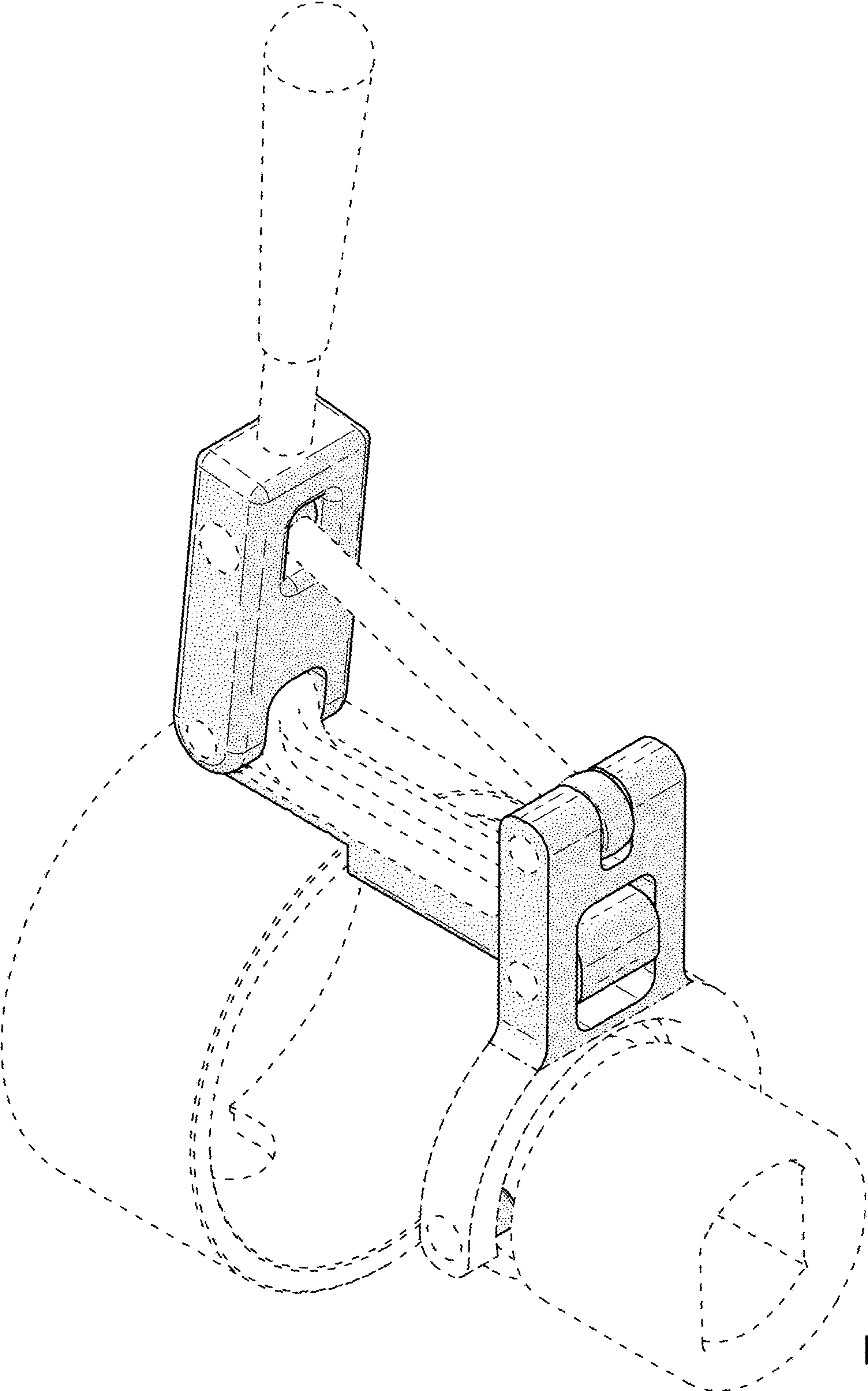


FIG. 6

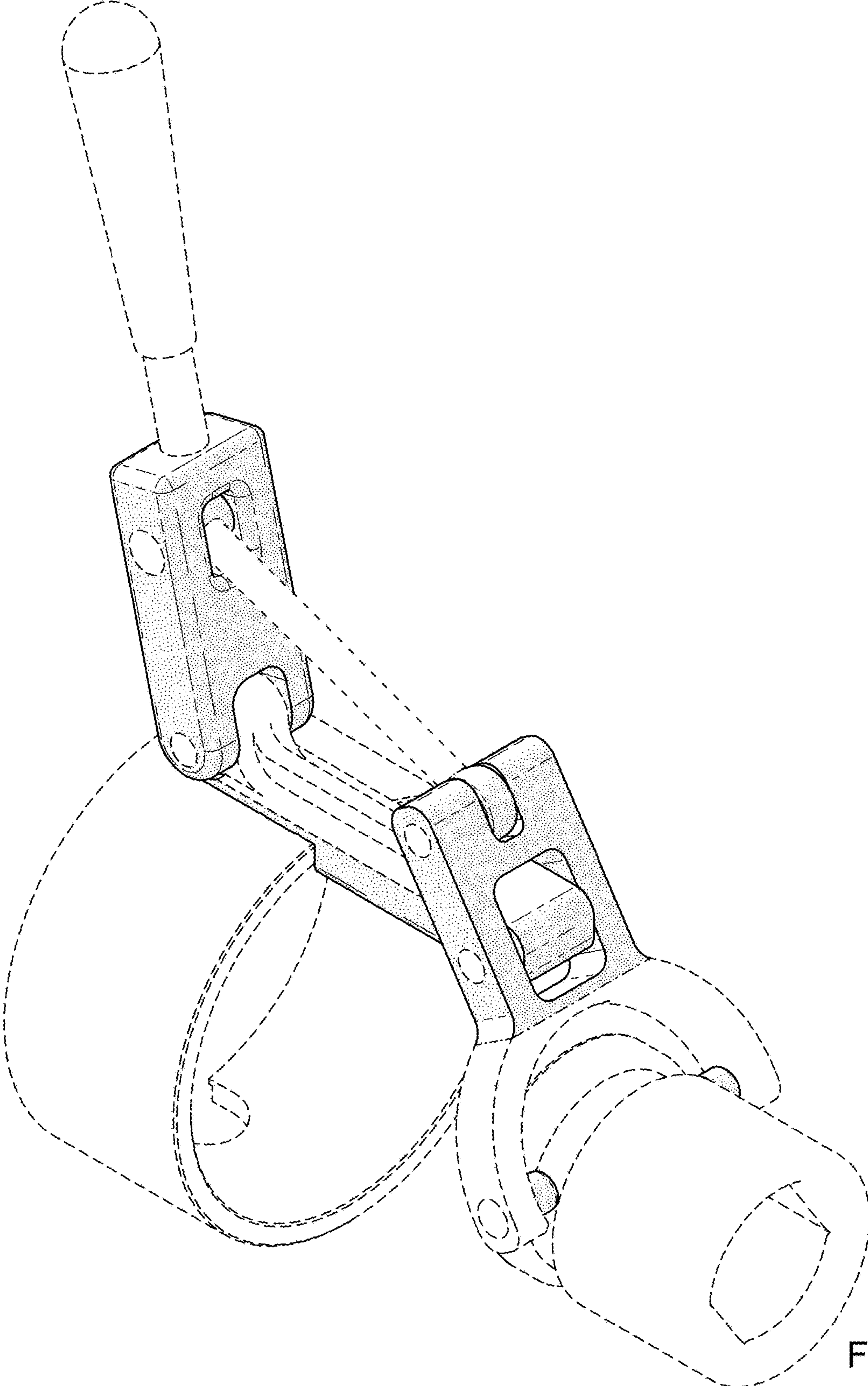


FIG. 7

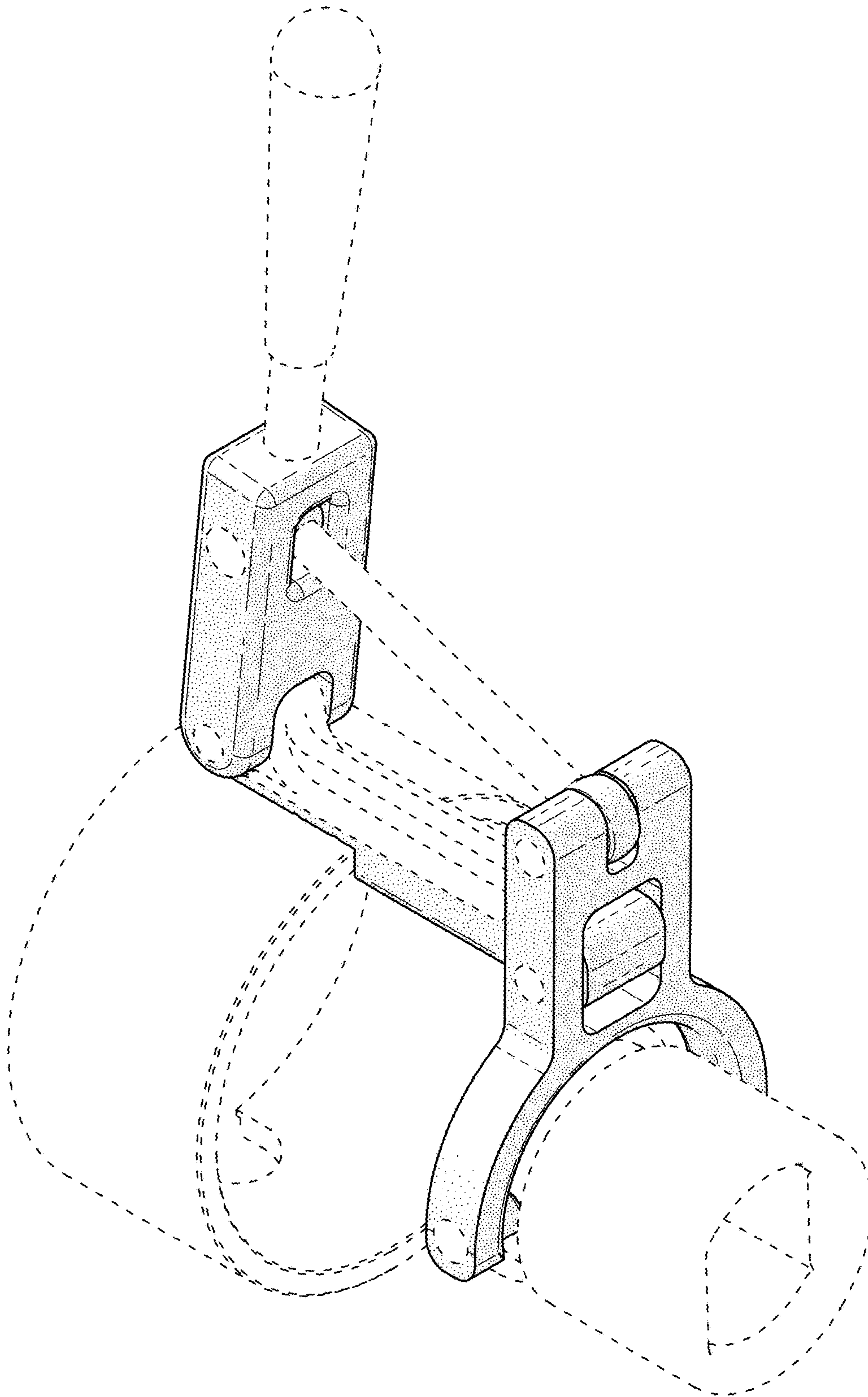


FIG. 8

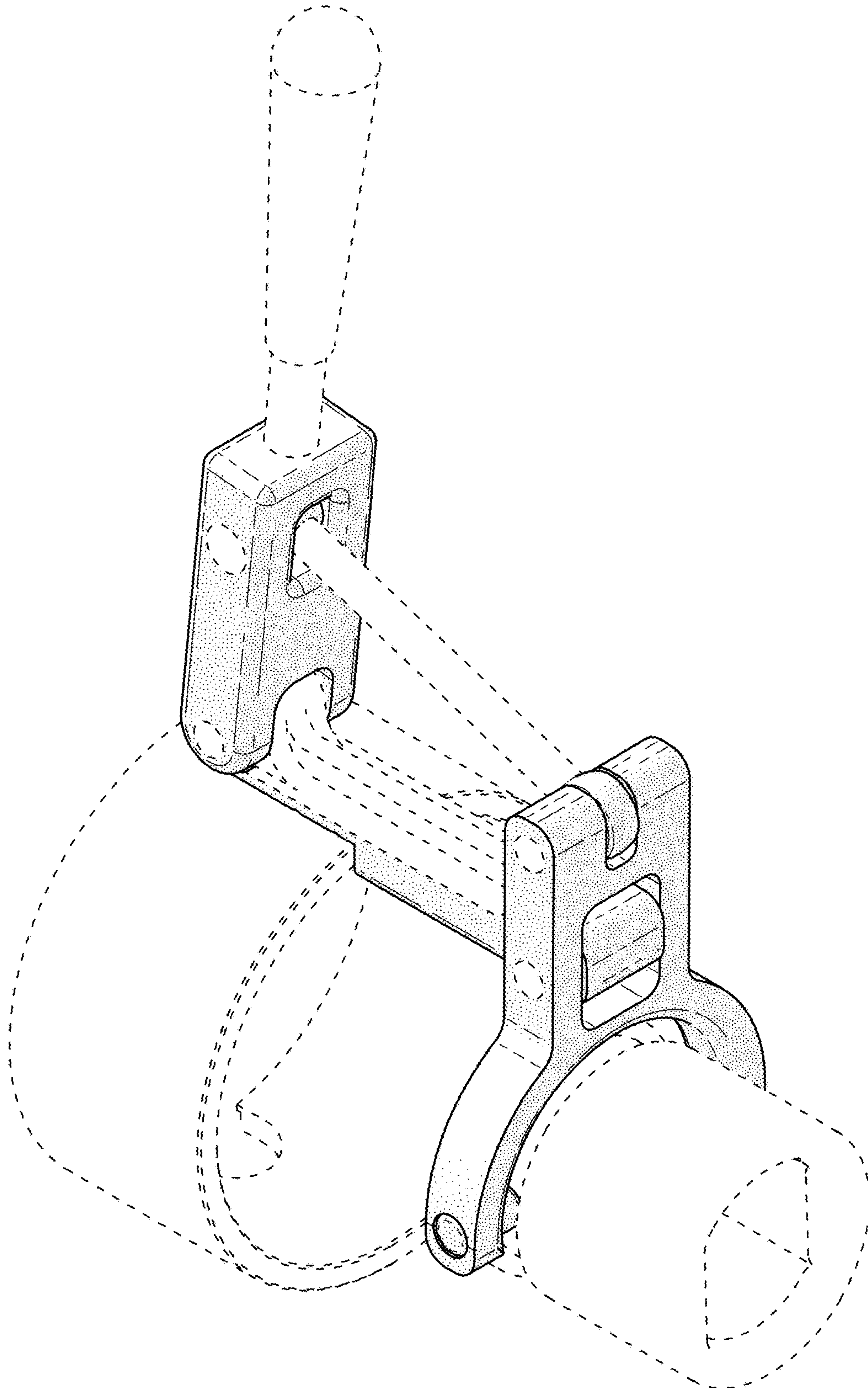


FIG. 9

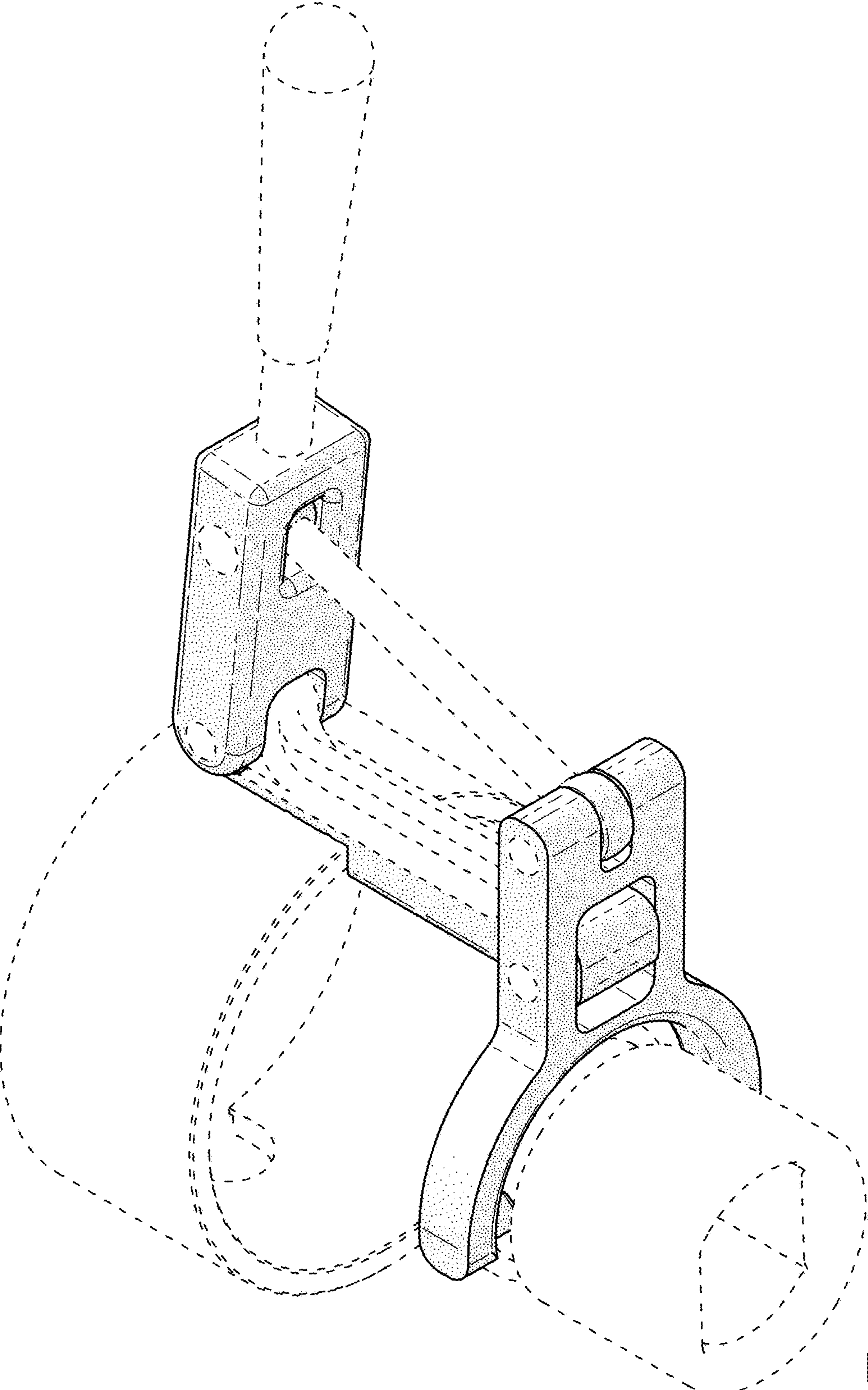


FIG. 10