



US00D799919S

(12) **United States Design Patent**  
**Levand et al.**

(10) **Patent No.:** **US D799,919 S**

(45) **Date of Patent:** **\*\* Oct. 17, 2017**

(54) **DISPENSING GUN**

(71) Applicant: **The Sherwin-Williams Company,**  
Cleveland, OH (US)

(72) Inventors: **Victor J. Levand,** Lyndhurst, OH (US);  
**Michael O'Banion,** Westminster, MD  
(US); **Lowell D. Lueking,** Lake Wylie,  
SC (US)

(73) Assignee: **The Sherwin-Williams Company,**  
Cleveland, OH (US)

(\*\*) Term: **15 Years**

(21) Appl. No.: **29/557,372**

(22) Filed: **Mar. 8, 2016**

(51) **LOC (10) Cl.** ..... **08-05**

(52) **U.S. Cl.**  
USPC ..... **D8/14.1**

(58) **Field of Classification Search**  
USPC ..... D8/14, 14.1, 51, 70  
CPC ..... B05C 1/00; B05C 17/00; B05C 17/01;  
B05C 17/0123

See application file for complete search history.

(56) **References Cited**

**U.S. PATENT DOCUMENTS**

4,802,607 A \* 2/1989 Johnson ..... B05C 17/01  
222/326  
D349,438 S \* 8/1994 Owens ..... D8/14.1

D413,235 S \* 8/1999 Hwang ..... D8/14.1  
D505,306 S \* 5/2005 Gaddy ..... D8/14.1  
D511,077 S \* 11/2005 Huang ..... D8/14.1  
D640,517 S \* 6/2011 Rumrill ..... D8/14.1  
D654,768 S \* 2/2012 Rumrill ..... D8/14.1  
D762,431 S \* 8/2016 Lee ..... B05C 17/0116  
D8/14.1

\* cited by examiner

*Primary Examiner* — Phillip S Hyder

(74) *Attorney, Agent, or Firm* — Daniel A. Sherwin

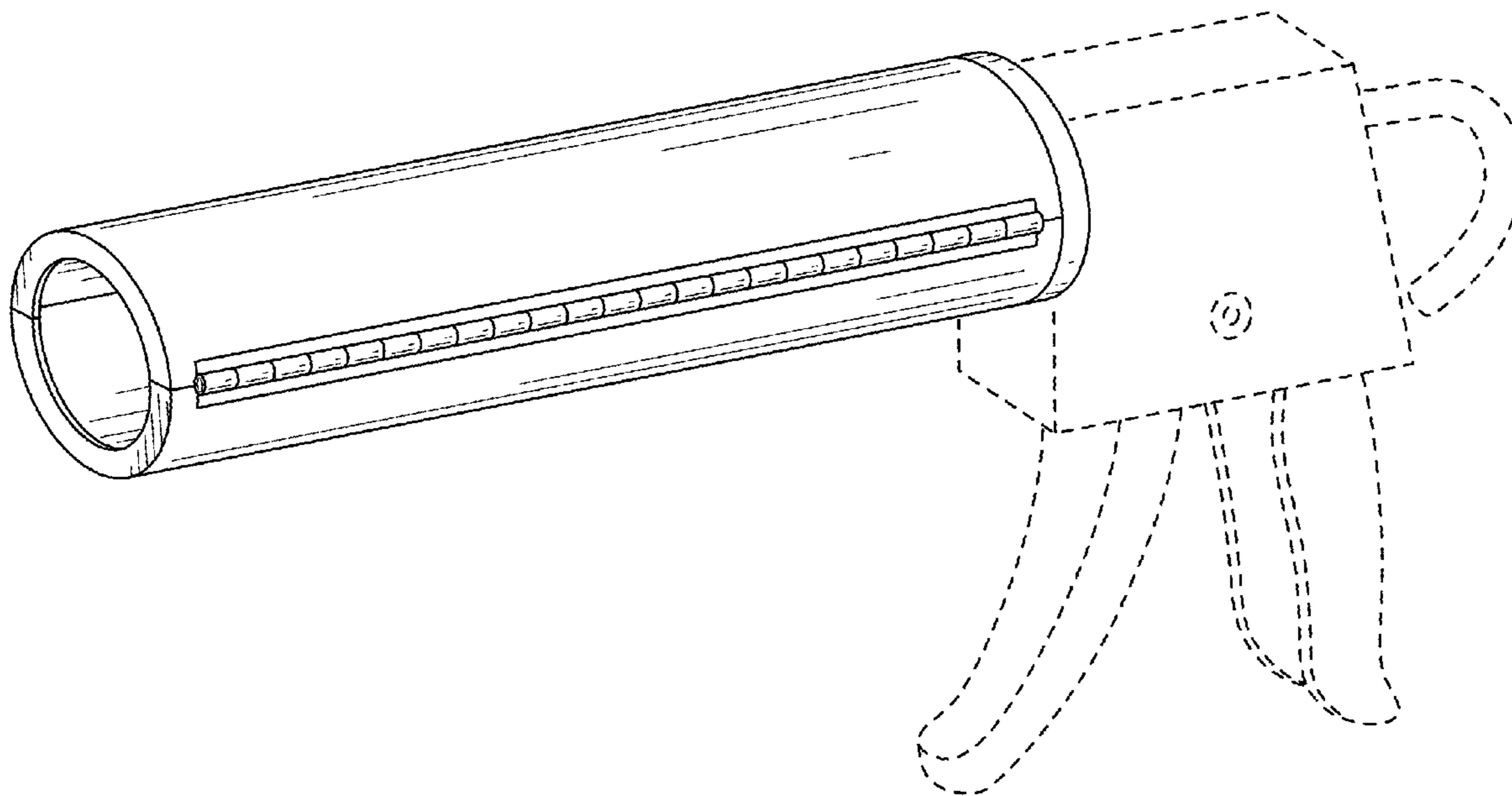
(57) **CLAIM**

The ornamental design for a dispensing gun, as shown and described.

**DESCRIPTION**

FIG. 1 is a top front perspective view of a dispensing gun in an closed position showing our new design;  
FIG. 2 is a right side view of the dispensing gun illustrated in FIG. 1;  
FIG. 3 is a left side view of the dispensing gun illustrated in FIG. 1;  
FIG. 4 is a front view of the dispensing gun illustrated in FIG. 1;  
FIG. 5 is a top view of the dispensing gun illustrated in FIG. 1; and,  
FIG. 6 is a bottom view dispensing gun illustrated in FIG. 1. The broken lines depict portions of the dispensing gun in which the design is embodied that are not considered part of the claimed design.

**1 Claim, 5 Drawing Sheets**



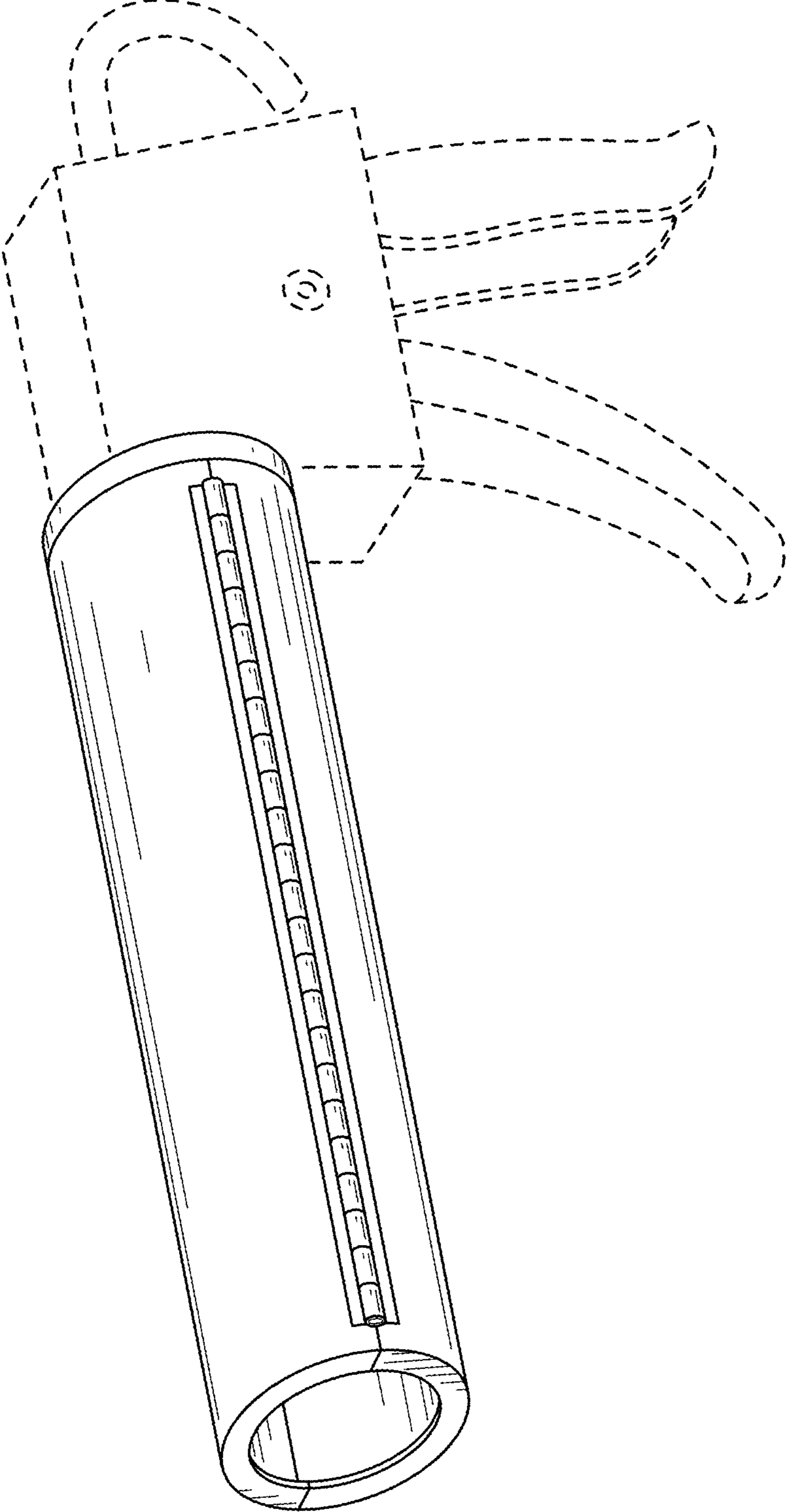


FIG. 1

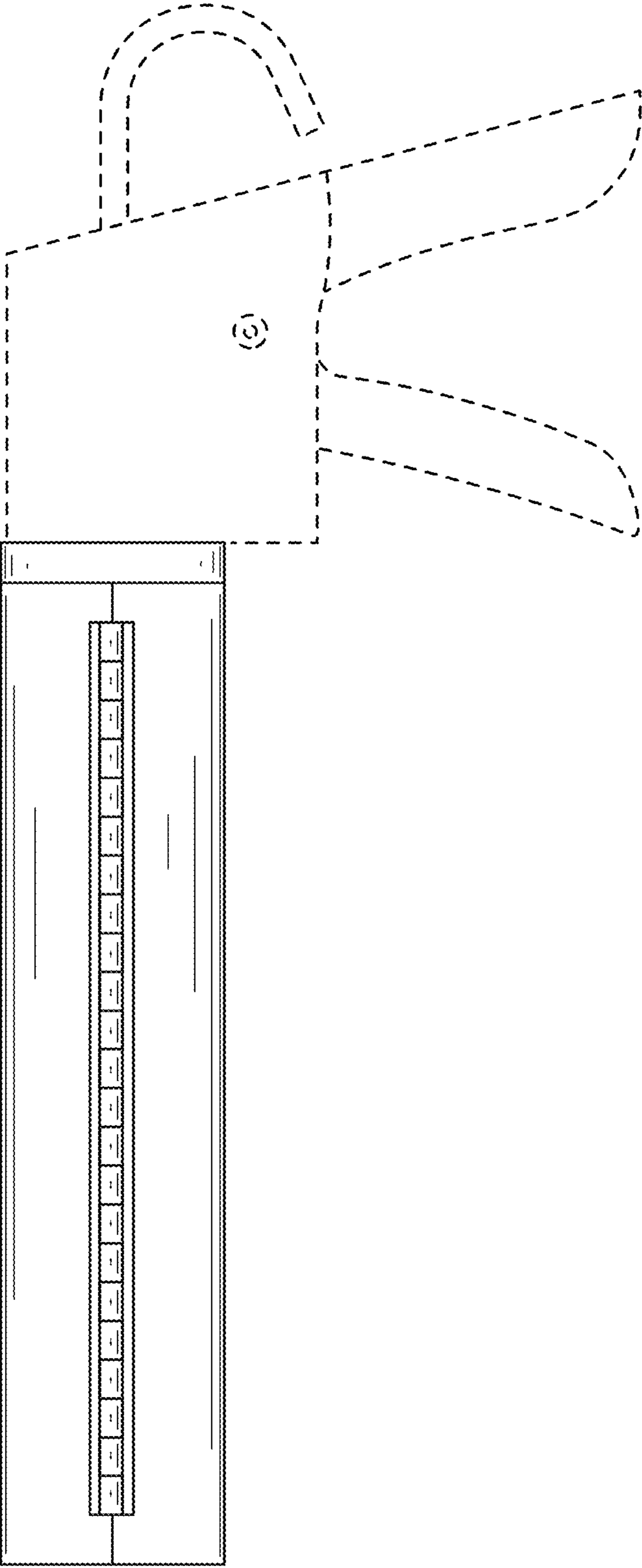


FIG. 2

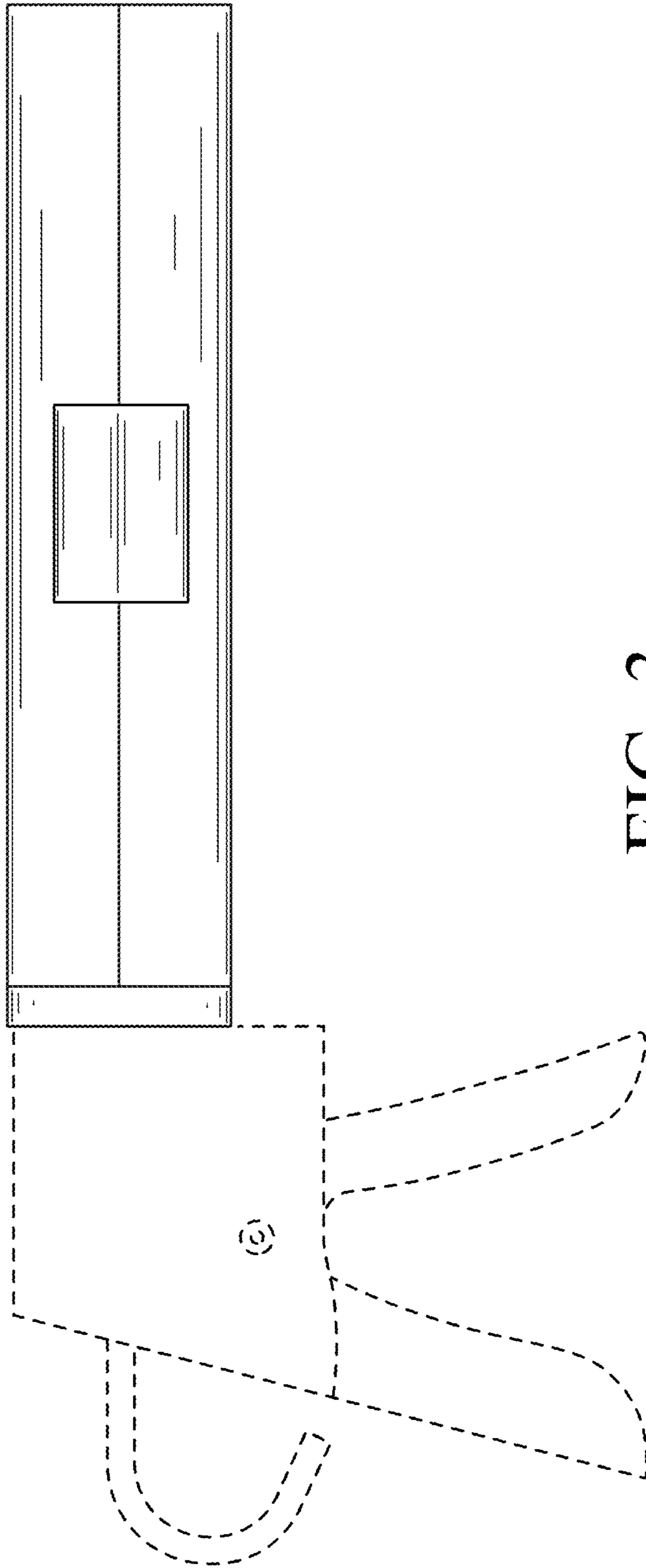


FIG. 3

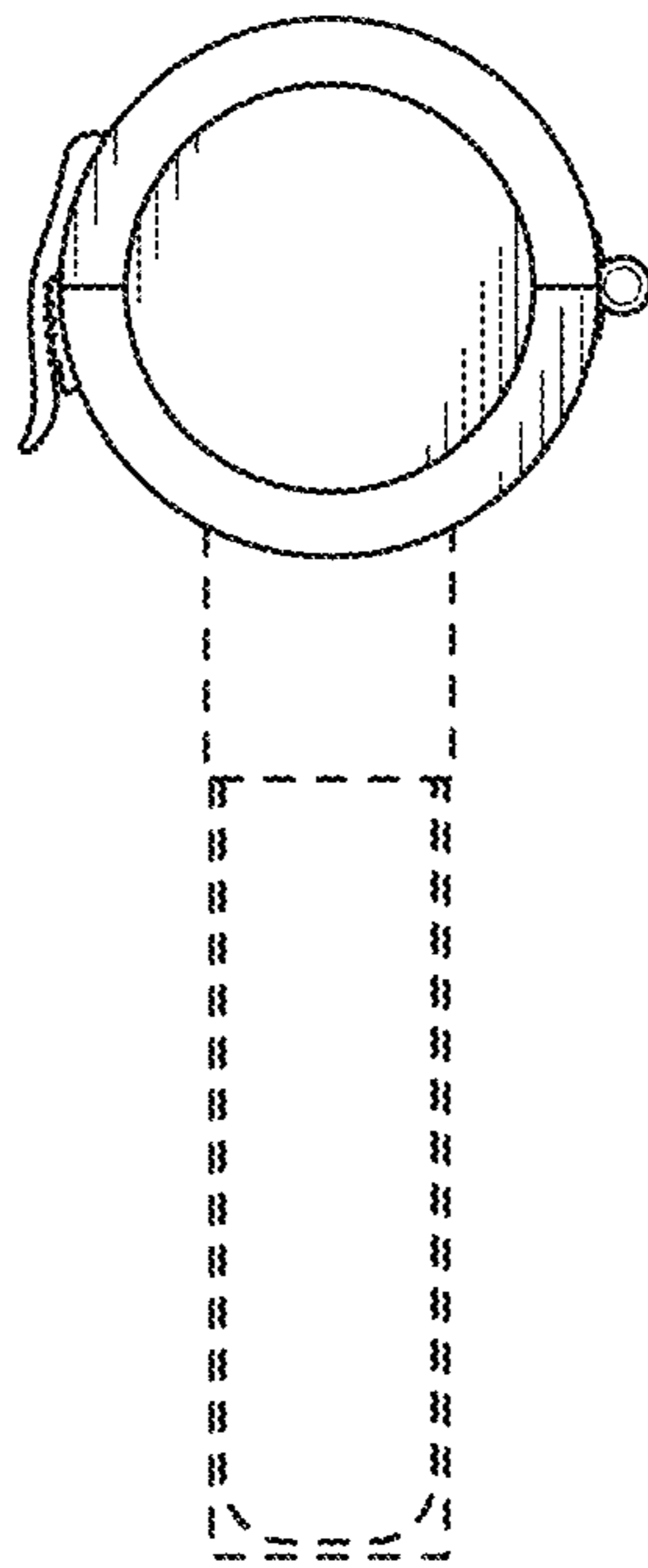


FIG. 4

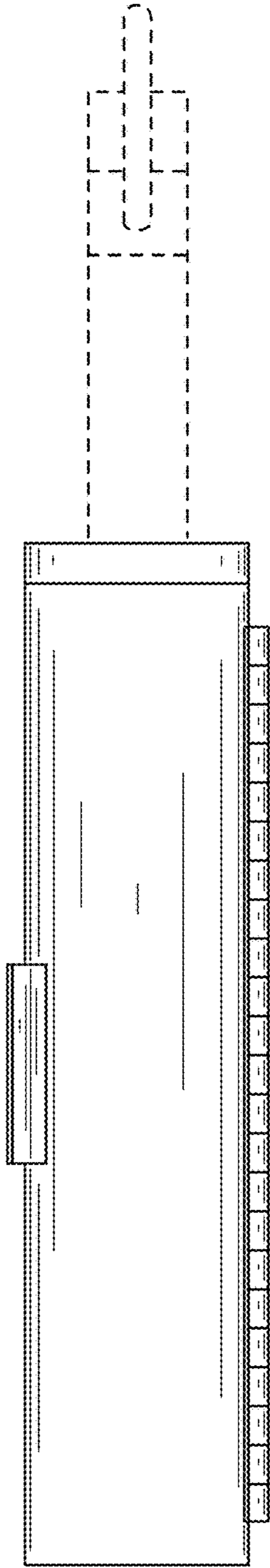


FIG. 5

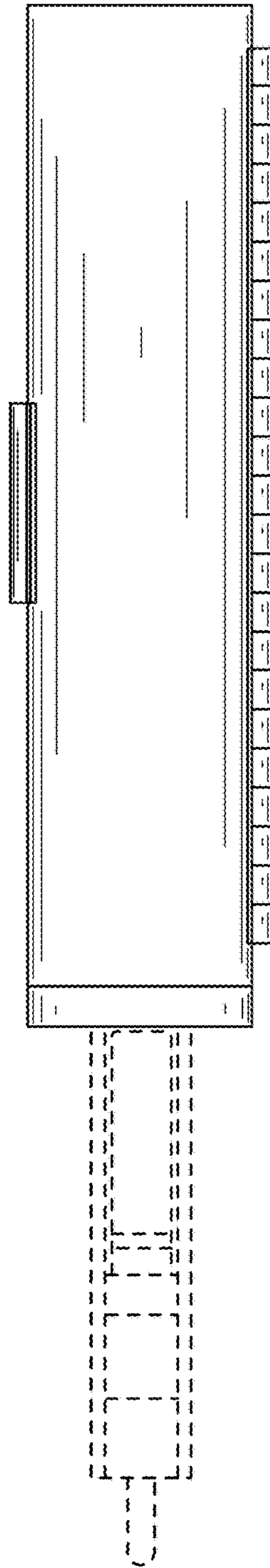


FIG. 6