



US00D799918S

(12) **United States Design Patent**
Mehra et al.

(10) **Patent No.:** **US D799,918 S**
(45) **Date of Patent:** **** Oct. 17, 2017**

(54) **TELESCOPIC POLE SAW**
(71) Applicant: **HUSQVARNA AB**, Huskvarna (SE)
(72) Inventors: **Rajinder Mehra**, Johanneshov (SE);
Fredrik Nilsson, Stockholm (SE);
Bushra Al-Hashimi, Solna (SE)
(73) Assignee: **HUSQVARNA AB**, Huskvarna (SE)
(**) Term: **15 Years**

(21) Appl. No.: **29/540,513**
(22) Filed: **Sep. 25, 2015**

(30) **Foreign Application Priority Data**

Mar. 26, 2015 (EM) 002669325-0005

(51) **LOC (10) Cl.** **08-05**
(52) **U.S. Cl.**
USPC **D8/8**

(58) **Field of Classification Search**
USPC D8/7, 8, 9, 499; D15/1, 15
CPC .. A01G 3/00; A01G 2003/0461; A01G 3/053;
A01G 3/0535; A01G 3/062; A01G 3/067;
A01G 3/08; A01G 3/085; A01G 3/086;
A01D 34/00; A01D 34/02; A01D 34/08;
A01D 34/412; A01D 34/63; A01D 34/67;
A01D 34/83; A01D 34/831; A01D
34/833; A01D 34/90; A01D 34/902;
B27B 17/00; B27B 17/0008; B27B
17/0025; Y10T 83/9324
See application file for complete search history.

(56) **References Cited**

U.S. PATENT DOCUMENTS

D566,505 S * 4/2008 Gieske D8/65
D745,353 S * 12/2015 Pickett D8/65

2002/0017023 A1* 2/2002 Uhl B27B 17/00
30/123.4
2002/0017024 A1* 2/2002 Uhl B27B 17/00
30/123.4
2002/0042997 A1* 4/2002 Uhl A01G 3/08
30/382
2002/0194739 A1* 12/2002 Krane A01G 3/08
30/296.1
2009/0119933 A1* 5/2009 Mace A01G 3/08
30/381

* cited by examiner

Primary Examiner — Sandra Snapp
Assistant Examiner — Ieisha Price

(74) *Attorney, Agent, or Firm* — McNair Law Firm, P.A.

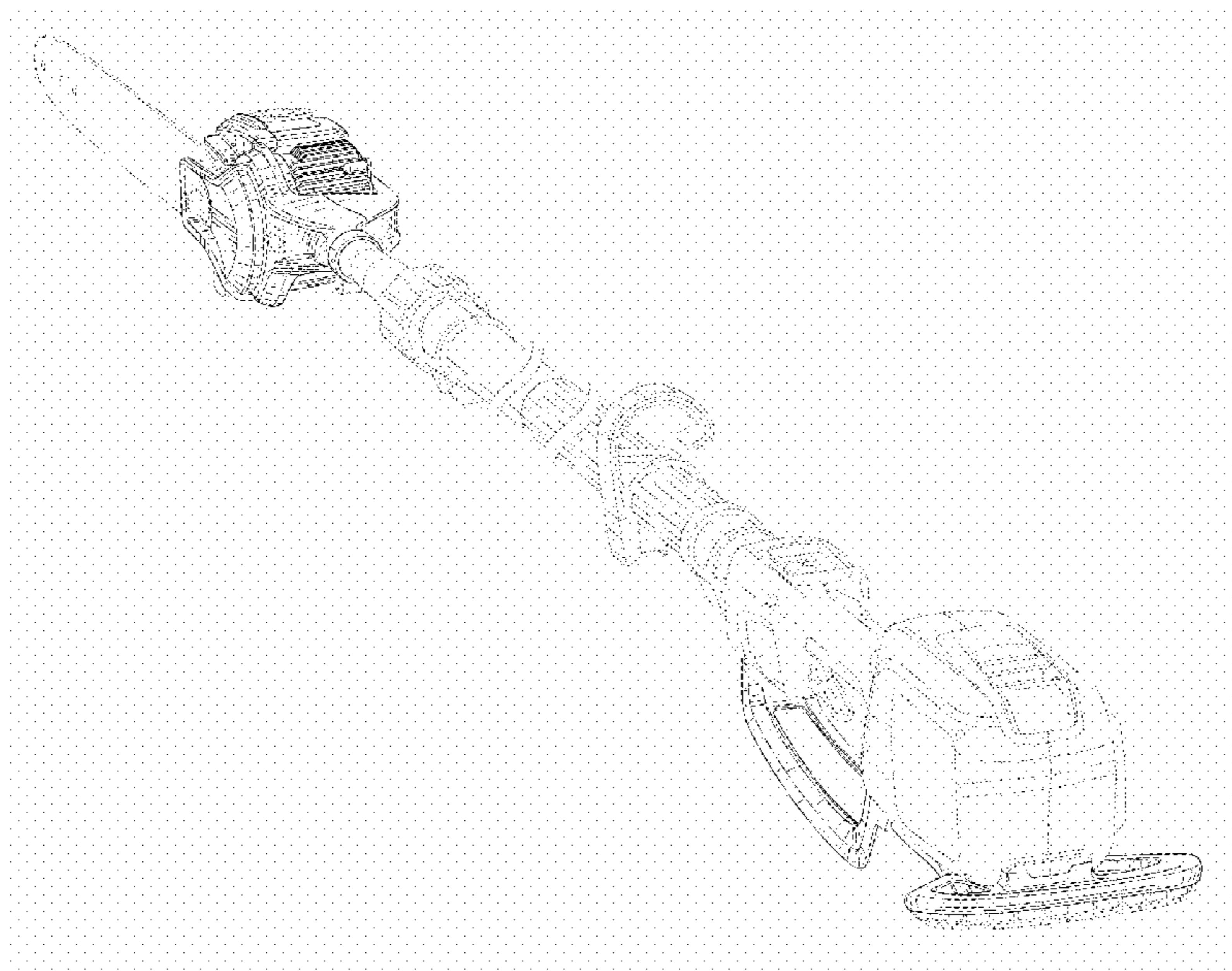
(57) **CLAIM**

The ornamental design for the telescopic pole saw, as shown and described.

DESCRIPTION

FIG. 1 is a top perspective view of a telescopic pole saw in accordance with the present invention;
FIG. 2 is a left side view of the telescopic pole saw of FIG. 1;
FIG. 3 is a right side view of the telescopic pole saw of FIG. 1;
FIG. 4 is a top view of the telescopic pole saw of FIG. 1;
FIG. 5 is a bottom view of the telescopic pole saw of FIG. 1;
FIG. 6 is a back view of the telescopic pole saw of FIG. 1; and,
FIG. 7 is a front view of the telescopic pole saw of FIG. 1. The broken lines in the drawings illustrate portions of the telescopic pole saw and form no part of the claimed design.

1 Claim, 6 Drawing Sheets



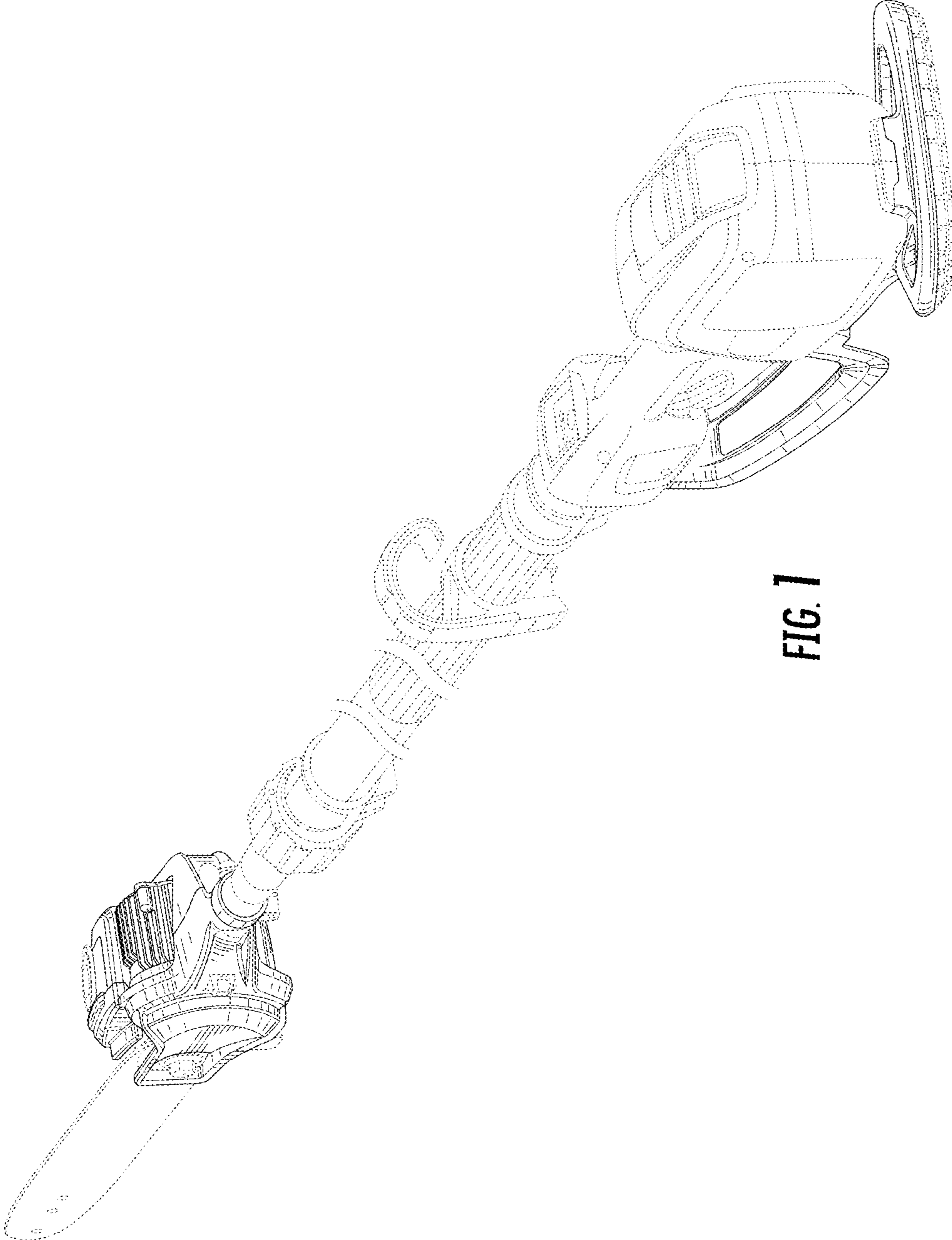


FIG. 1

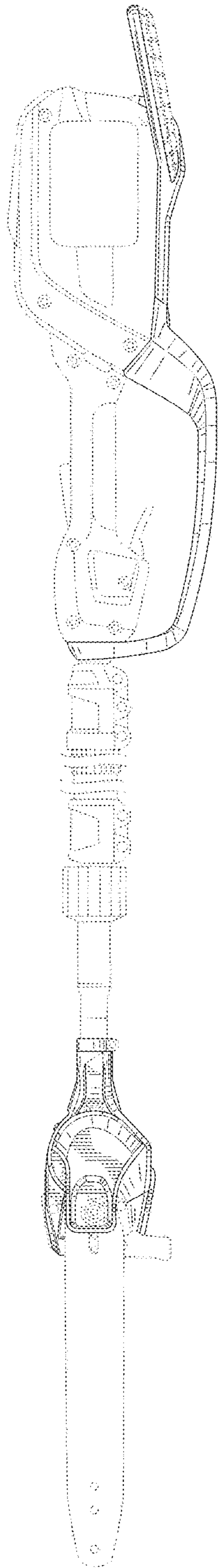


FIG. 2

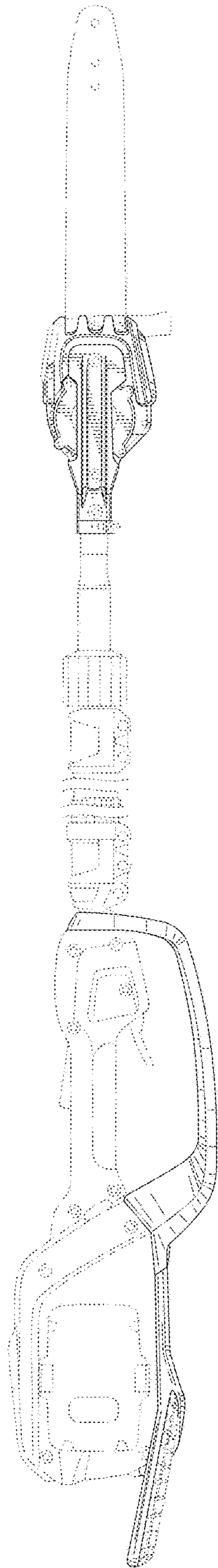


FIG. 3

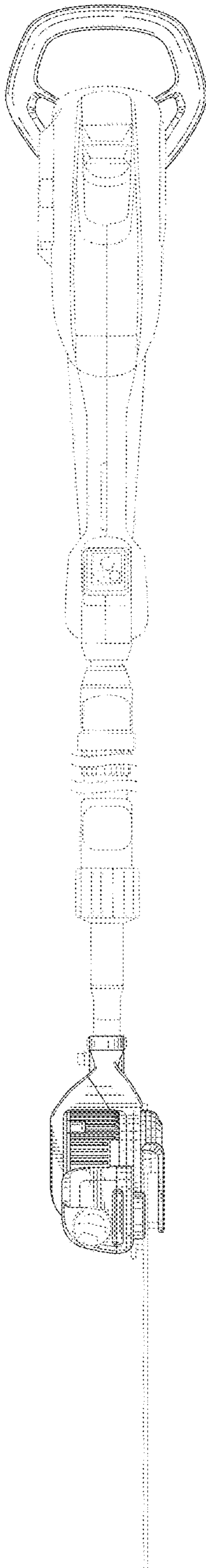


FIG. 4

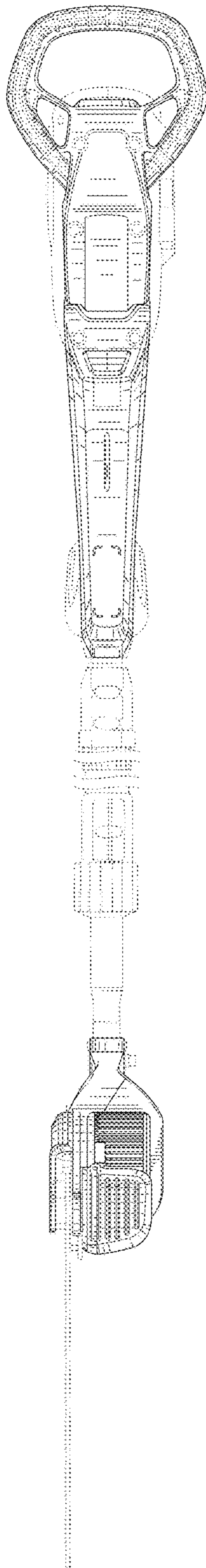


FIG. 5

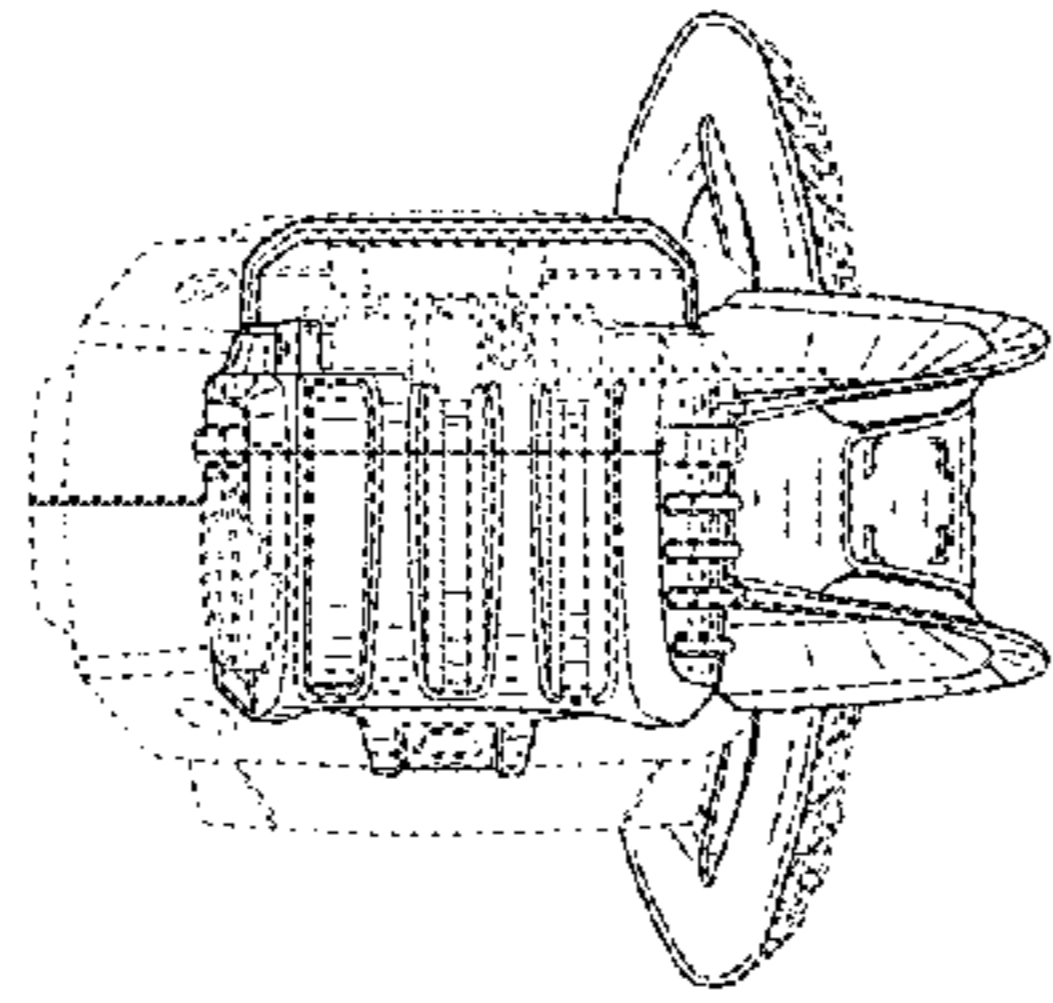


FIG. 7

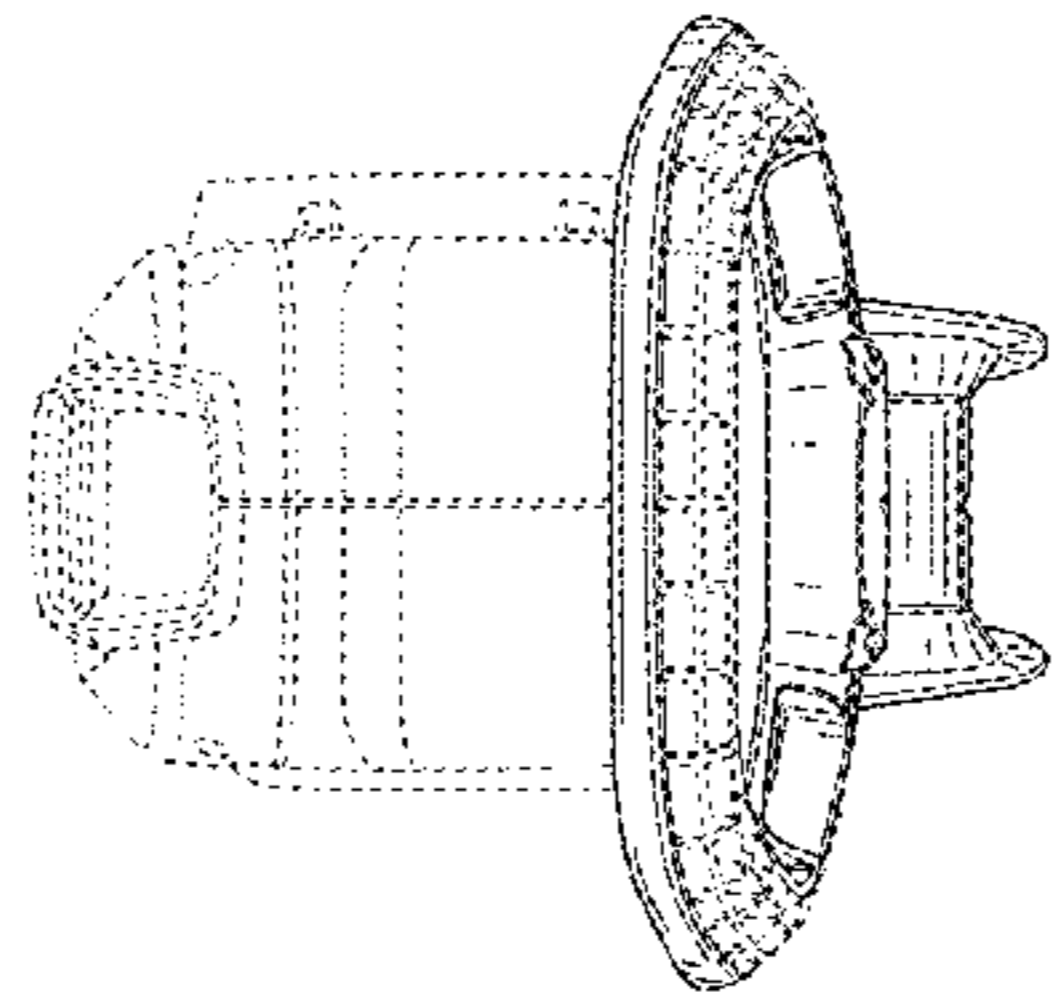


FIG. 6