



US00D799917S

(12) **United States Design Patent**  
**Mehra et al.**

(10) **Patent No.:** **US D799,917 S**  
(45) **Date of Patent:** **\*\* Oct. 17, 2017**

(54) **POLE SAW**  
(71) Applicant: **HUSQVARNA AB**, Huskvarna (SE)  
(72) Inventors: **Rajinder Mehra**, Johanneshov (SE);  
**Fredrik Nilsson**, Stockholm (SE);  
**Bushra Al-Hashimi**, Solna (SE)  
(73) Assignee: **HUSQVARNA AB**, Huskvarna (SE)

(\*\*) Term: **15 Years**  
(21) Appl. No.: **29/540,506**  
(22) Filed: **Sep. 25, 2015**

(30) **Foreign Application Priority Data**

Mar. 26, 2015 (EM) ..... 002669325-0001

(51) **LOC (10) Cl.** ..... **08-05**  
(52) **U.S. Cl.**  
USPC ..... **D8/8**

(58) **Field of Classification Search**

USPC ..... D8/7, 8, 9, 499; D15/1, 15  
CPC .. A01G 3/00; A01G 2003/0461; A01G 3/053;  
A01G 3/0535; A01G 3/062; A01G 3/067;  
A01G 3/08; A01G 3/085; A01G 3/086;  
A01D 34/00; A01D 34/02; A01D 34/08;  
A01D 34/412; A01D 34/63; A01D 34/67;  
A01D 34/83; A01D 34/831; A01D  
34/833; A01D 34/90; A01D 34/902;  
B27B 17/00; B27B 17/0008; B27B  
17/0025; Y10T 83/9324

See application file for complete search history.

(56) **References Cited**

**U.S. PATENT DOCUMENTS**

D566,505 S \* 4/2008 Gieske ..... D8/65  
D745,353 S \* 12/2015 Pickett ..... D8/65  
2002/0017023 A1\* 2/2002 Uhl ..... B27B 17/00  
30/123.4

2002/0017024 A1\* 2/2002 Uhl ..... B27B 17/00  
30/123.4  
2002/0042997 A1\* 4/2002 Uhl ..... A01G 3/08  
30/382  
2002/0194739 A1\* 12/2002 Krane ..... A01G 3/08  
30/296.1  
2009/0119933 A1\* 5/2009 Mace ..... A01G 3/08  
30/381

\* cited by examiner

*Primary Examiner* — Sandra Snapp

*Assistant Examiner* — Ieisha Price

(74) *Attorney, Agent, or Firm* — McNair Law Firm, P.A.

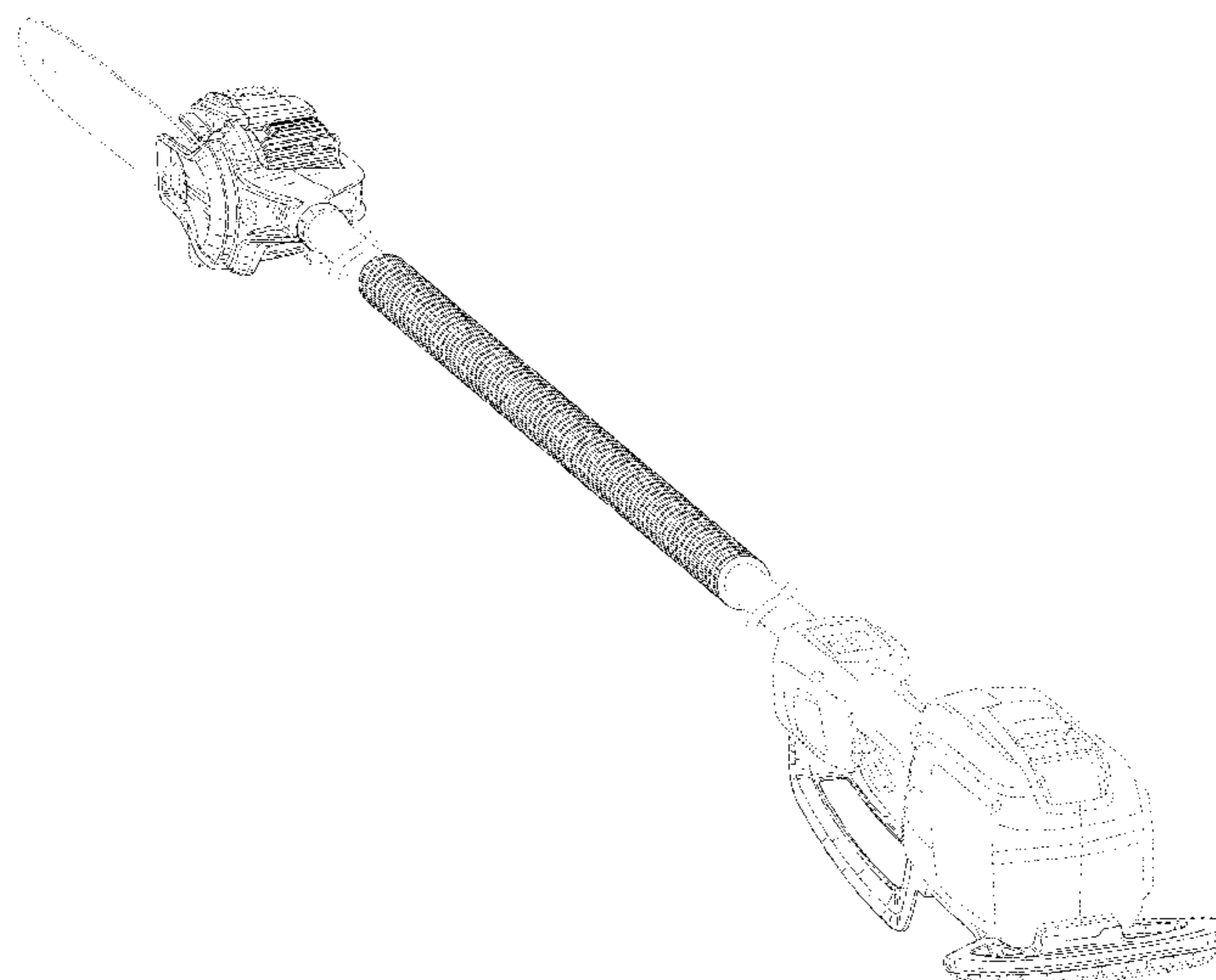
(57) **CLAIM**

The ornamental design for the pole saw, as shown and described.

**DESCRIPTION**

FIG. 1 is a top perspective view of a pole saw in accordance with the present invention;  
FIG. 2 is a right side view of the pole saw of FIG. 1;  
FIG. 3 is a left side view of the pole saw of FIG. 1;  
FIG. 4 is a bottom view of the pole saw of FIG. 1;  
FIG. 5 is a top view of the pole saw of FIG. 1;  
FIG. 6 is a front view of the pole saw of FIG. 1; and,  
FIG. 7 is a back view of the pole saw of FIG. 1.  
The broken lines in the drawings illustrate portions of the pole saw and form no part of the claimed design.

**1 Claim, 6 Drawing Sheets**



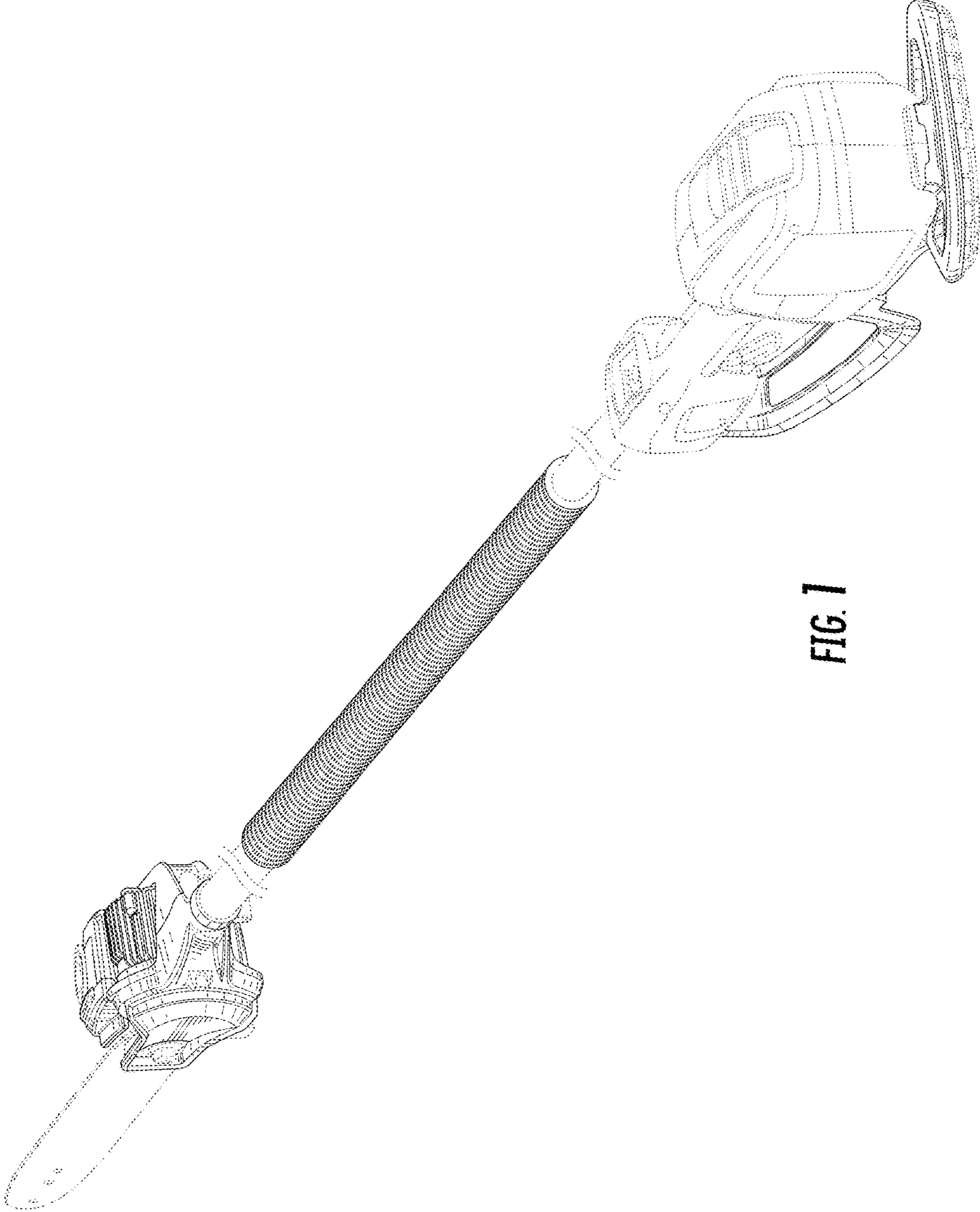


FIG. 1

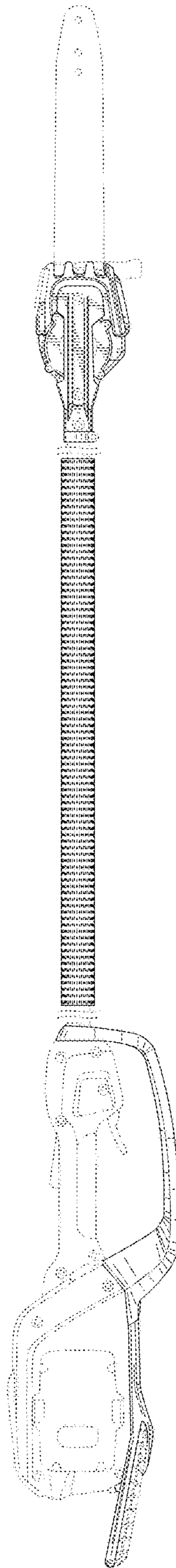


FIG. 2

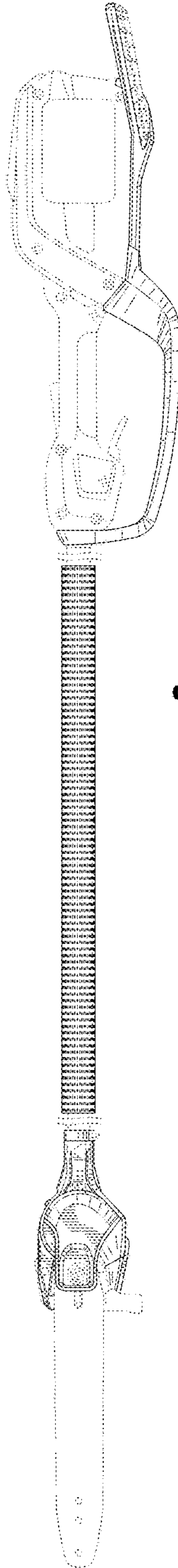


FIG. 3

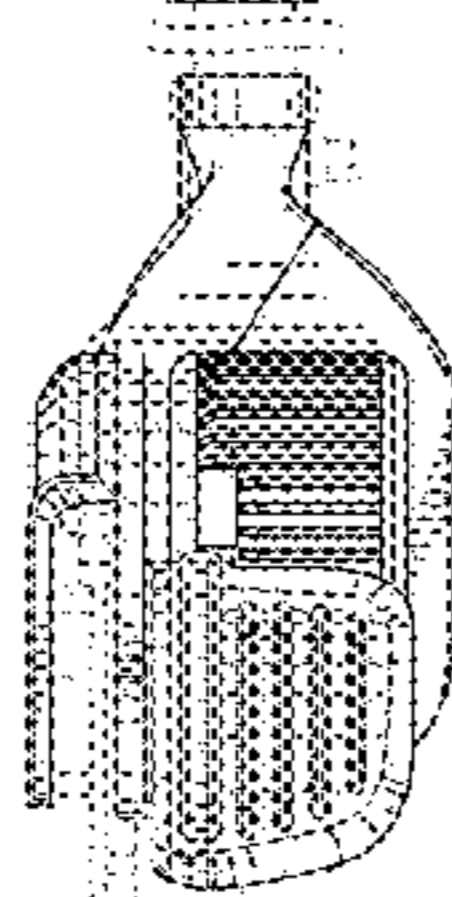
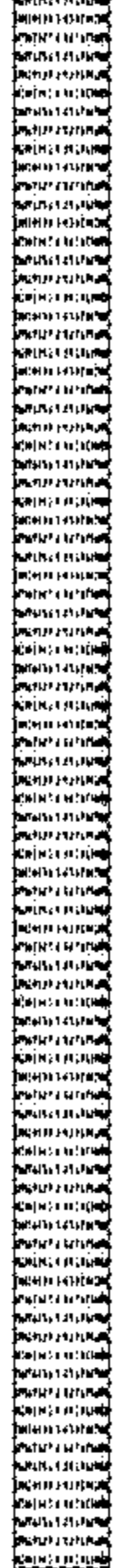
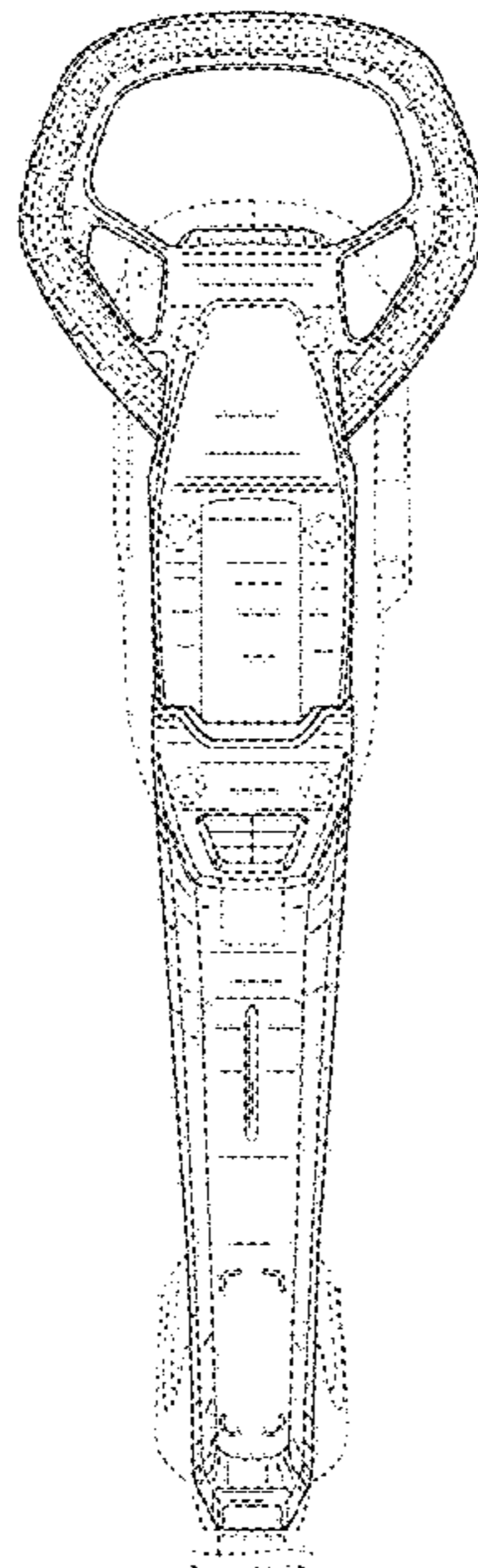


FIG. 4

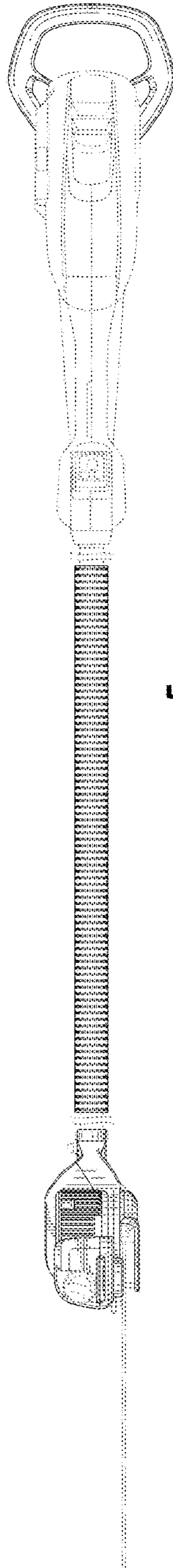


FIG. 5

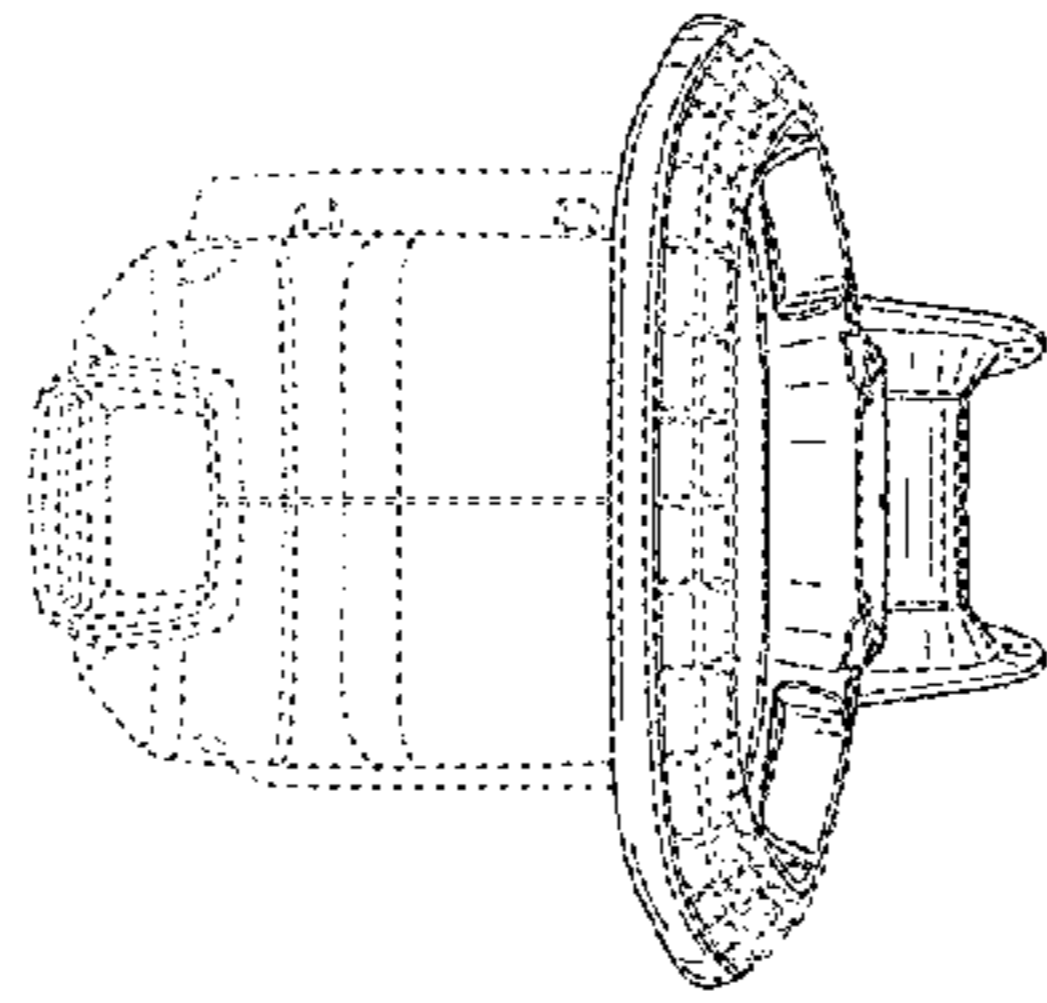


FIG. 7

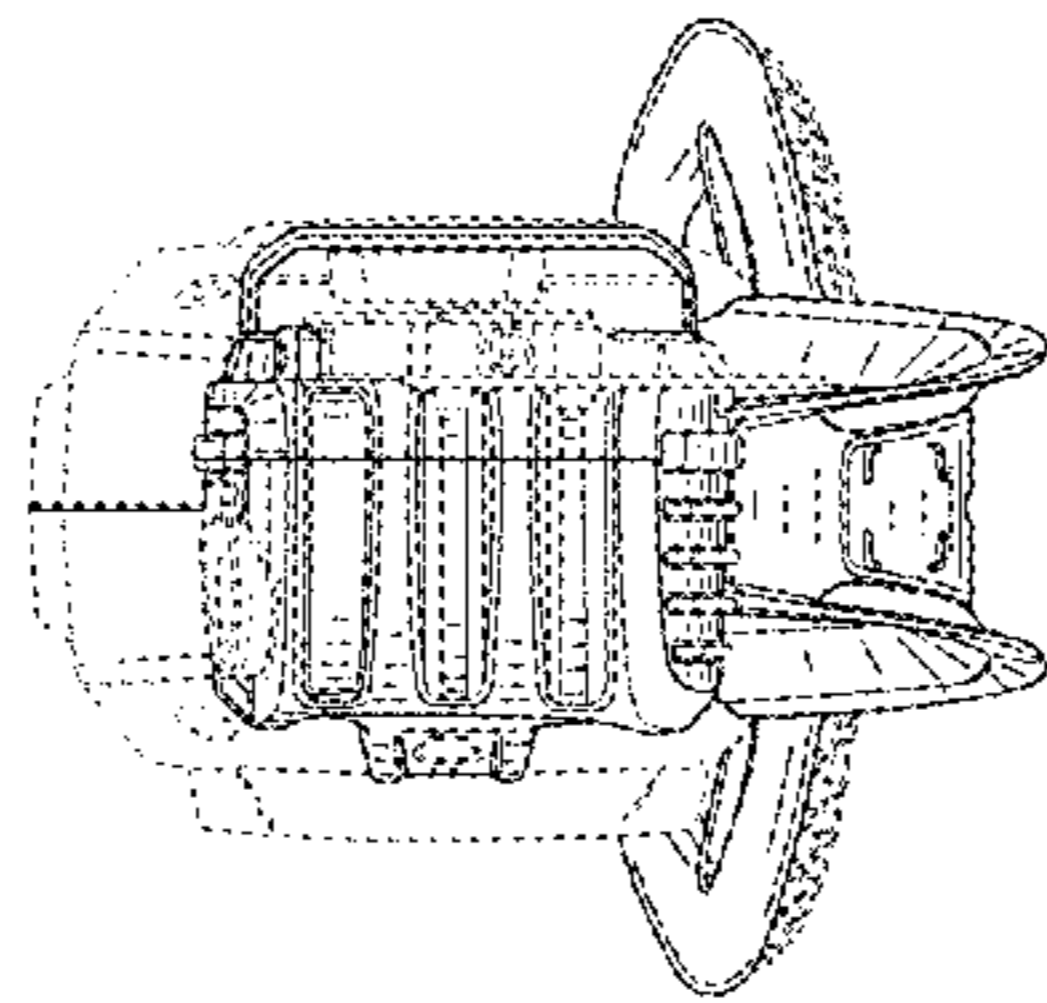


FIG. 6