



US00D799915S

(12) **United States Design Patent** (10) **Patent No.:** **US D799,915 S**
Pattison (45) **Date of Patent:** **** *Oct. 17, 2017**

(54) **BEVERAGE CAPSULE HOLDER**
(71) Applicant: **Conopco, Inc.**, Englewood Cliffs, NJ (US)
(72) Inventor: **Gregory Michael Pattison**, Leicester (GB)
(73) Assignee: **CONOPCO, INC.**, Englewood Cliffs, NJ (US)

D283,163 S 3/1986 Pandya
4,621,739 A 11/1986 Heymann et al.
D295,126 S * 4/1988 Chap D7/704
4,830,200 A 5/1989 Zambano et al.
4,865,821 A 9/1989 Langdon
D306,952 S * 4/1990 Goeman D24/199
D331,675 S 12/1992 David
5,186,339 A 2/1993 Heissler
(Continued)

(*) Notice: This patent is subject to a terminal disclaimer.

(**) Term: **15 Years**

(21) Appl. No.: **29/558,908**

(22) Filed: **Mar. 23, 2016**

(30) **Foreign Application Priority Data**

Sep. 29, 2015 (EM) 002802496-0001

(51) **LOC (10) Cl.** **07-06**

(52) **U.S. Cl.**
USPC **D7/704**

(58) **Field of Classification Search**
USPC D3/306; D6/514, 553, 566, 569;
D7/619.1, 620, 622, 701, 704, 705, 706,
D7/707, 708, 708.1, 709; D8/370, 373;
D9/434, 455, 457; D24/228
CPC A47B 73/002; A47B 73/006; A47B 73/00;
B01L 9/06
See application file for complete search history.

(56) **References Cited**

U.S. PATENT DOCUMENTS

D35,063 S * 9/1901 Wagner D7/619.1
D35,126 S * 9/1901 Wagner D7/619.1
D46,089 S * 7/1914 Gibbs D6/677.5
2,956,686 A 10/1960 Garey
D222,178 S * 10/1971 Indrunas 248/107
D224,137 S * 7/1972 Steffen D7/619.1

OTHER PUBLICATIONS

Wayfair. 2.0 Carousel by Keurig. Apr. 21, 2015 [earliest online date], [site visited Mar. 17, 2017]. Available from Internet, <URL:https://www.wayfair.com/Keurig-2.0-Carousel-KEG1123.html>.*

(Continued)

Primary Examiner — Robert M Spear
Assistant Examiner — Darcey E Heflin
(74) *Attorney, Agent, or Firm* — Foley & Lardner LLP

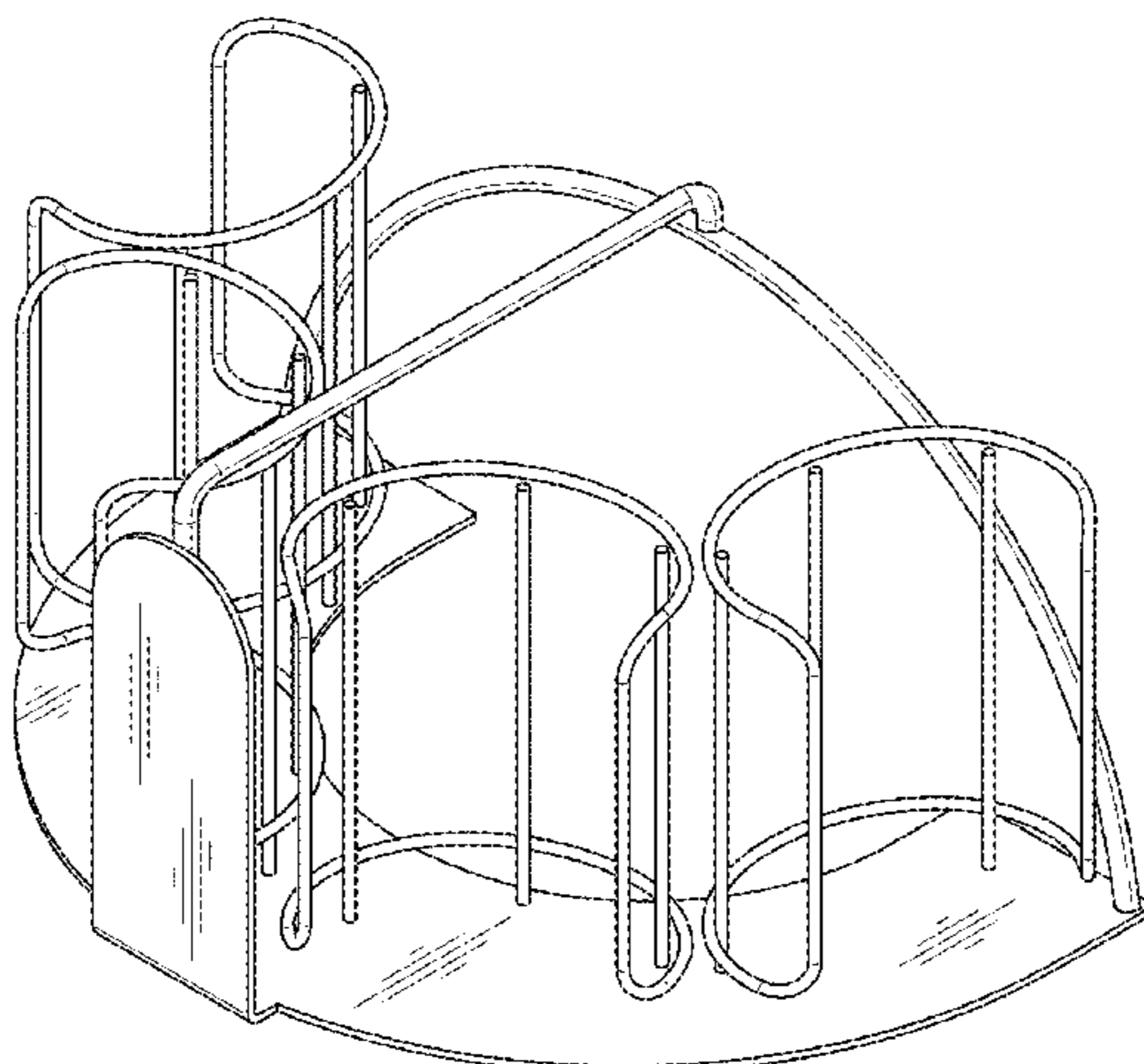
(57) **CLAIM**

The ornamental design for a beverage capsule holder, as shown and described.

DESCRIPTION

FIG. 1 is a perspective view of a beverage capsule holder in accordance with our new design,
FIG. 2 is a rear view of the beverage capsule holder in accordance with our new design,
FIG. 3 is a front view of the beverage capsule holder in accordance with our new design,
FIG. 4 is a left side view of the beverage capsule holder in accordance with our new design,
FIG. 5 is a right side view of the beverage capsule holder in accordance with our new design,
FIG. 6 is a top plan view of the beverage capsule holder in accordance with our new design; and,
FIG. 7 is a bottom plan view of the beverage capsule holder in accordance with our new design.

1 Claim, 4 Drawing Sheets



(56)

References Cited

U.S. PATENT DOCUMENTS

D378,265 S * 3/1997 Vicard D6/681.1
 D390,726 S * 2/1998 Arvans D7/704
 D391,122 S * 2/1998 Wu D6/678.4
 5,840,261 A 11/1998 Monch
 5,916,527 A 6/1999 Haswell
 D461,372 S * 8/2002 Geatti D7/620
 D470,726 S * 2/2003 Kautzky D14/229
 D474,652 S * 5/2003 Chan D7/620
 D487,862 S * 3/2004 Tincher D7/620
 D492,161 S * 6/2004 Kaller D7/622
 D511,438 S * 11/2005 Johnson D7/619.1
 D566,480 S * 4/2008 Lawler D7/620
 D583,630 S * 12/2008 Goodman D7/619.1
 D610,384 S * 2/2010 Chen D7/619.1
 D610,385 S * 2/2010 Chen D7/619.1
 D623,023 S * 9/2010 Proano D7/622
 D625,570 S 10/2010 Melocchi
 D632,137 S * 2/2011 Chen D6/566

D635,406 S * 4/2011 Chen D6/566
 D655,986 S * 3/2012 Schneider D6/566
 D698,606 S * 2/2014 Tsai D7/600.2
 D750,446 S * 3/2016 Tincher D7/620
 D751,867 S * 3/2016 Krumwiede D7/620
 D761,038 S * 7/2016 Goodman D6/514
 D769,084 S * 10/2016 Tsai D7/704

OTHER PUBLICATIONS

Ebay (UK). UK Revolving Capsule Coffee Pod Holder Stand Rack Nespresso Tassimo Dolce Gusto. Mar. 7, 2017 [earliest online date], [site visited Apr. 6, 2017]. Available from Internet, <URL:<http://www.ebay.co.uk/itm/UK-Revolving-Capsule-Coffee-Pod-Holder-Stand-Rack-Nespresso-Tassimo-Dolce-Gusto-/231520787791>>.*
 AliExpress. wholesale dolce gusto capsule holder. 2016 [earliest online date], [site visited Apr. 6, 2017]. Available from Internet, <URL:<https://www.aliexpress.com/w/wholesale-dolce-gusto-capsule-holder.html>>.*

* cited by examiner

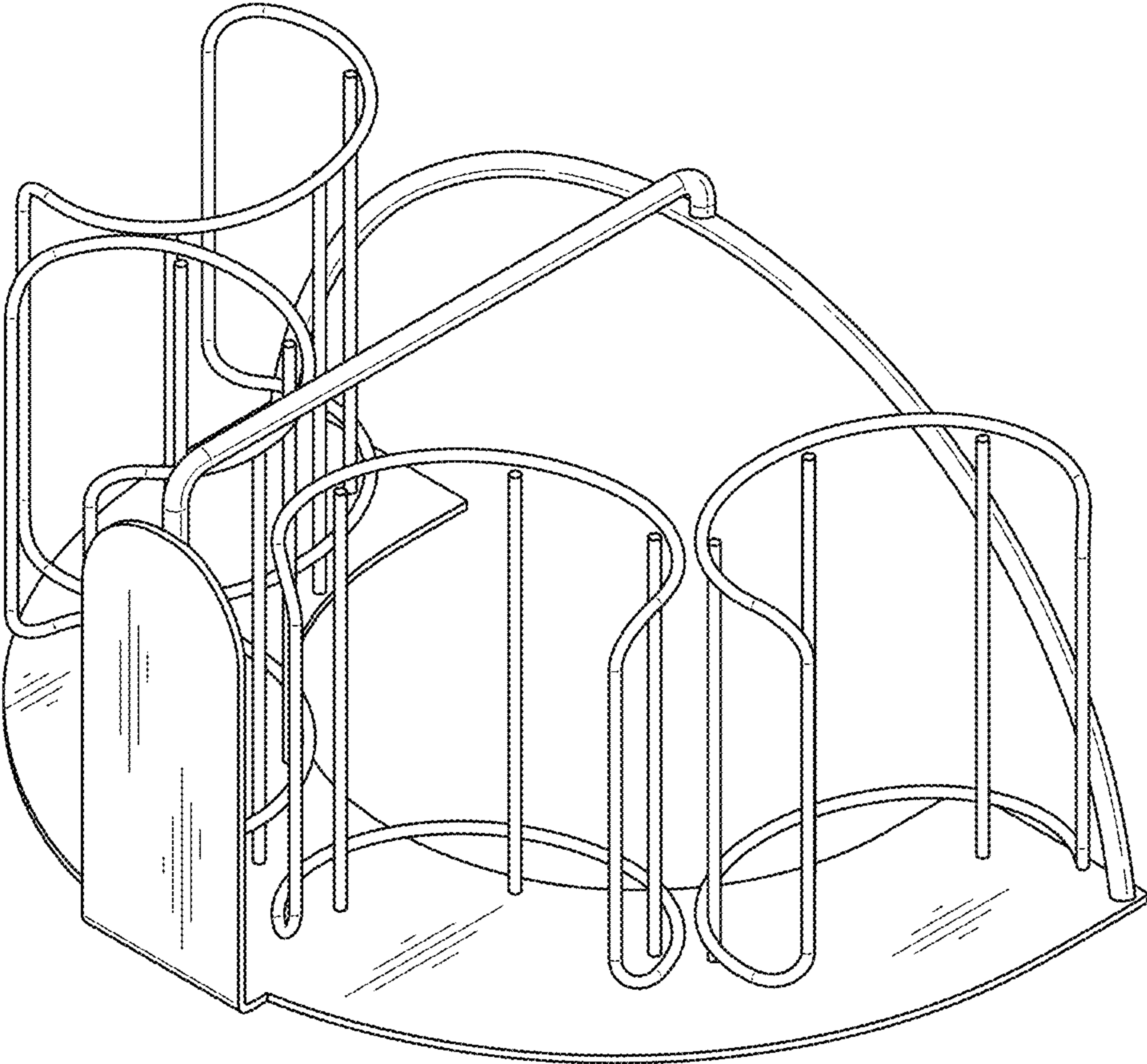


Fig. 1

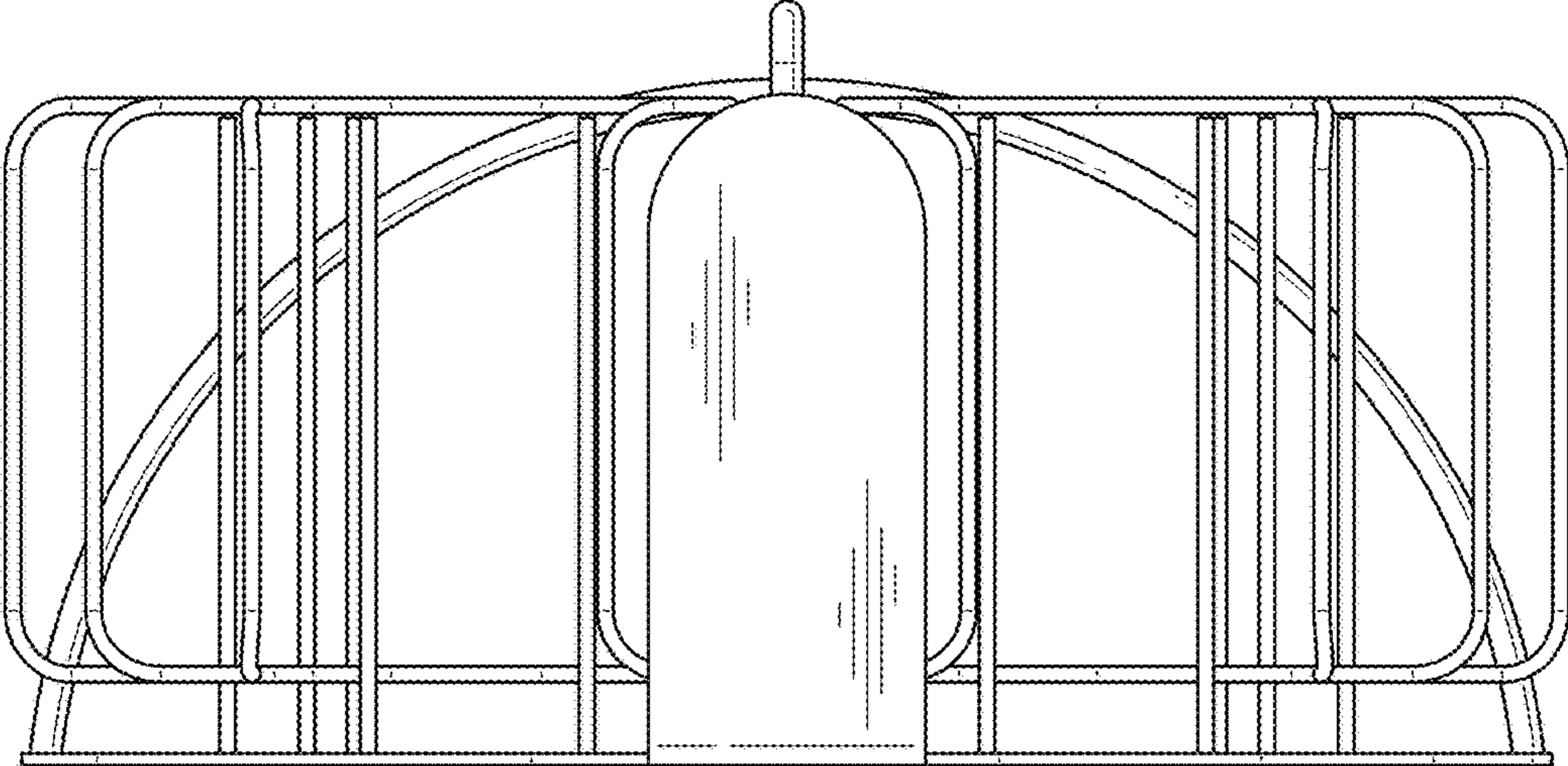


Fig. 2

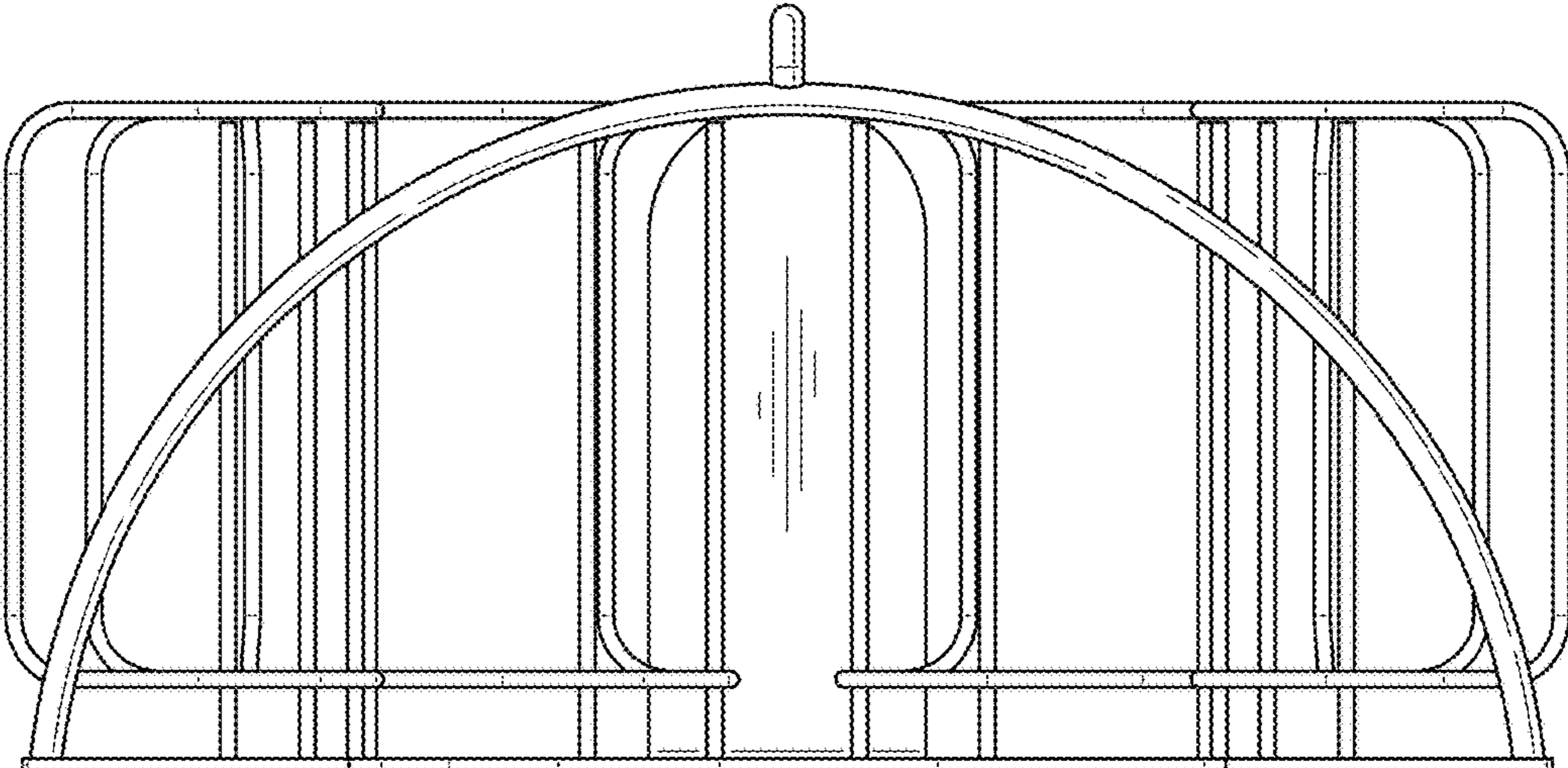


Fig. 3

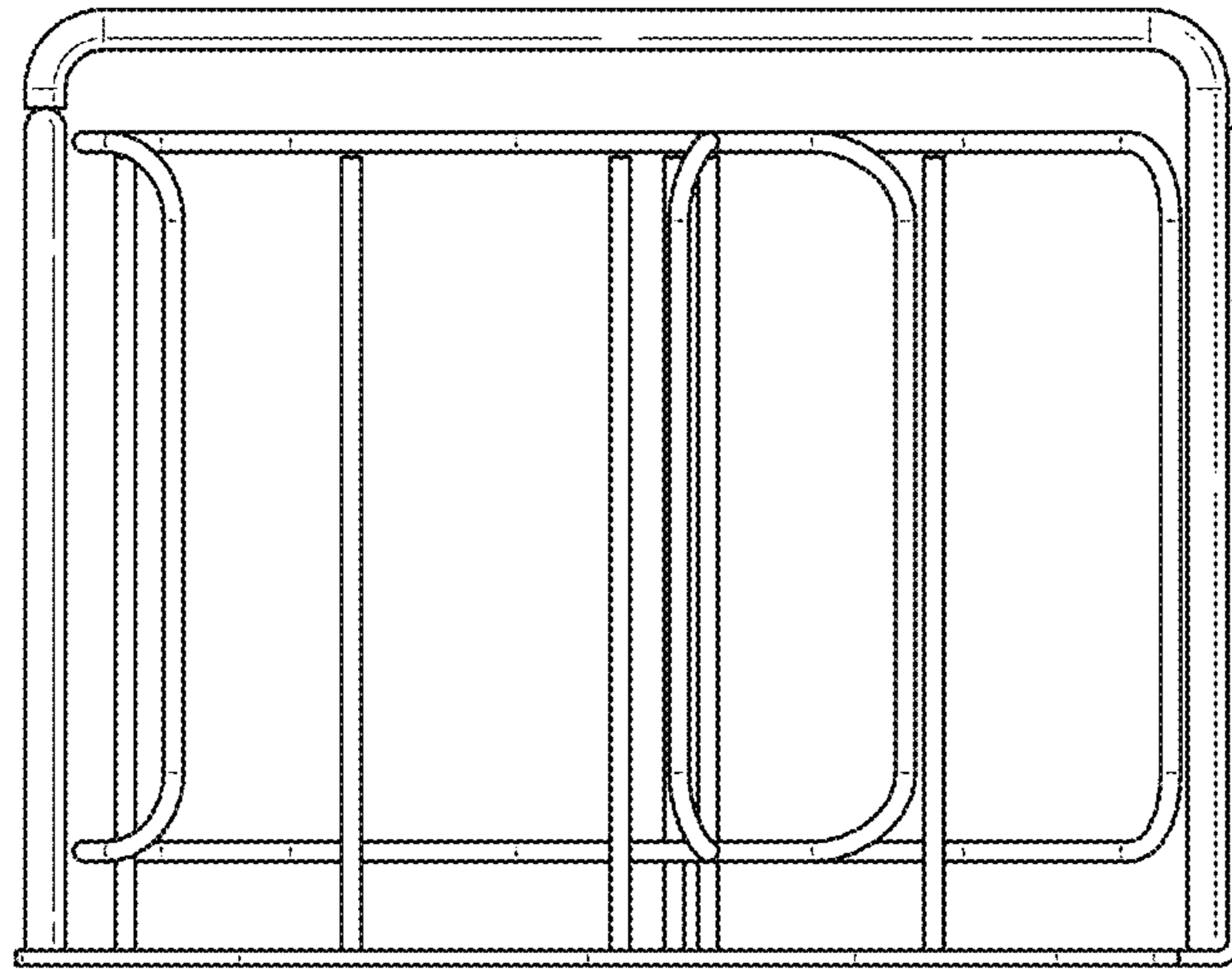


Fig. 4

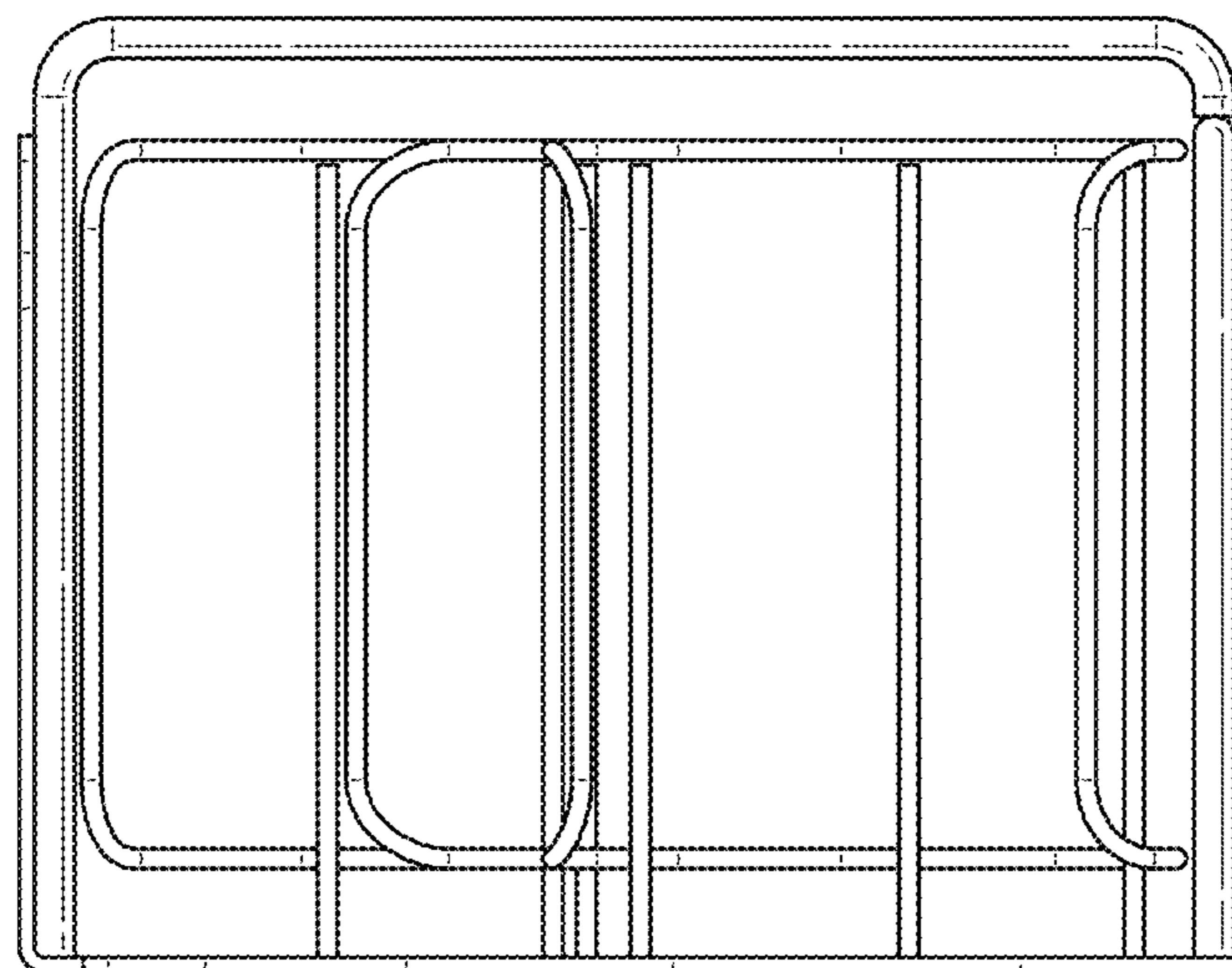


Fig. 5

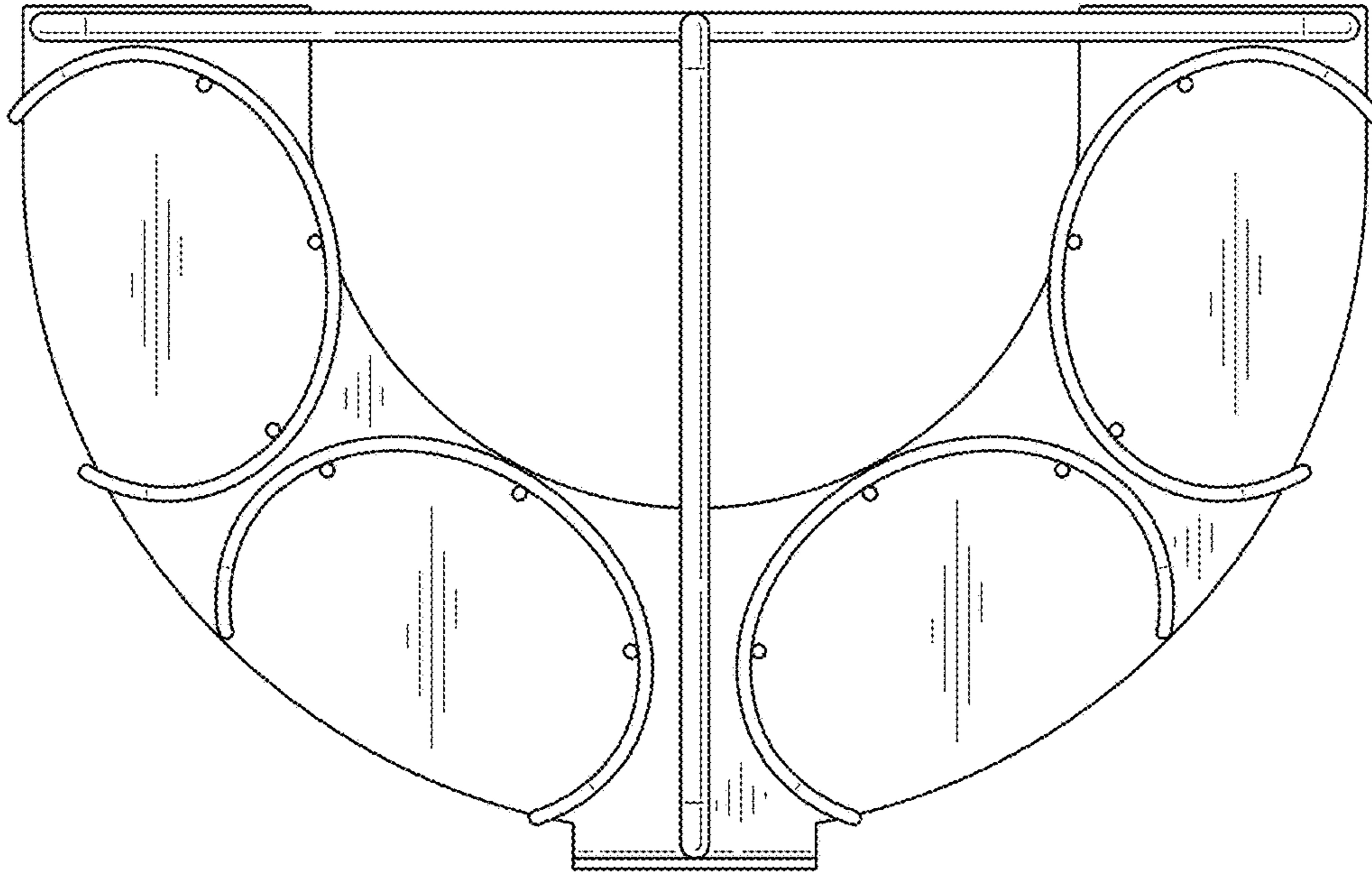


Fig. 6

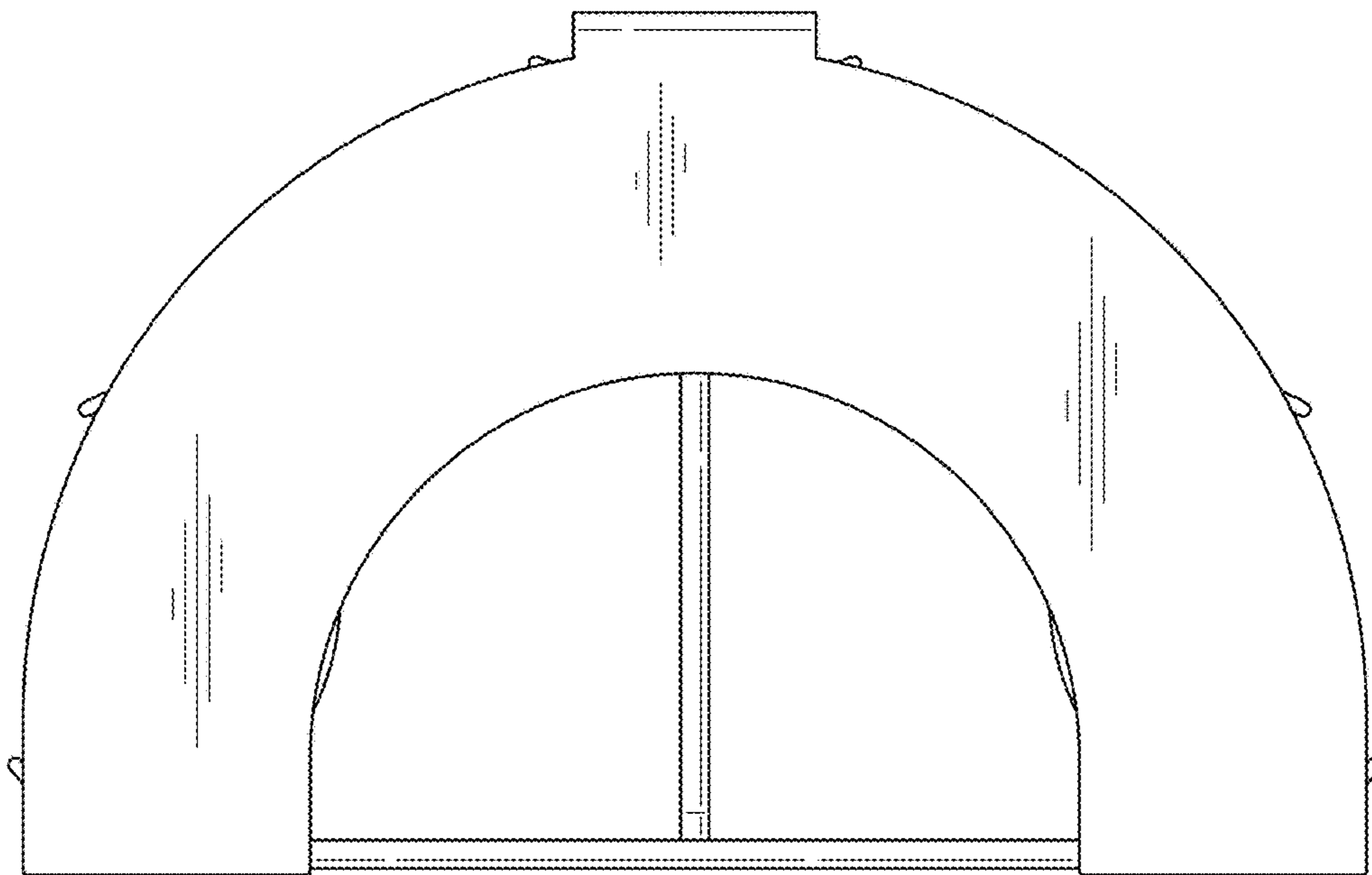


Fig. 7