



US00D799912S

(12) **United States Design Patent**
Shively

(10) **Patent No.:** **US D799,912 S**

(45) **Date of Patent:** **** Oct. 17, 2017**

(54) **SPOON**

D745,343 S * 12/2015 Heinrich D7/667

(71) Applicant: **Matthew Shively**, Greenwich, CT (US)

* cited by examiner

(72) Inventor: **Matthew Shively**, Greenwich, CT (US)

Primary Examiner — Terry Wallace

(**) Term: **15 Years**

(74) *Attorney, Agent, or Firm* — Michael J. Brown

(21) Appl. No.: **29/556,863**

(57) **CLAIM**

(22) Filed: **Mar. 3, 2016**

I claim the ornamental design for the spoon, as shown and described.

(51) **LOC (10) Cl.** **07-06**

(52) **U.S. Cl.**

USPC **D7/688**; D7/692

(58) **Field of Classification Search**

USPC D7/680–696, 393, 395, 642, 643, 647,
D7/653

CPC A61C 19/00; B67B 7/24; A47G 21/02;
A47G 21/04

See application file for complete search history.

DESCRIPTION

FIG. 1 is a right side perspective view of a spoon showing my new design.

FIG. 2 is a top view thereof.

FIG. 3 is a right side view thereof.

FIG. 4 is a front end view thereof.

FIG. 5 is a rear end view thereof.

FIG. 6 is a left side view thereof; and,

FIG. 7 is a bottom view thereof.

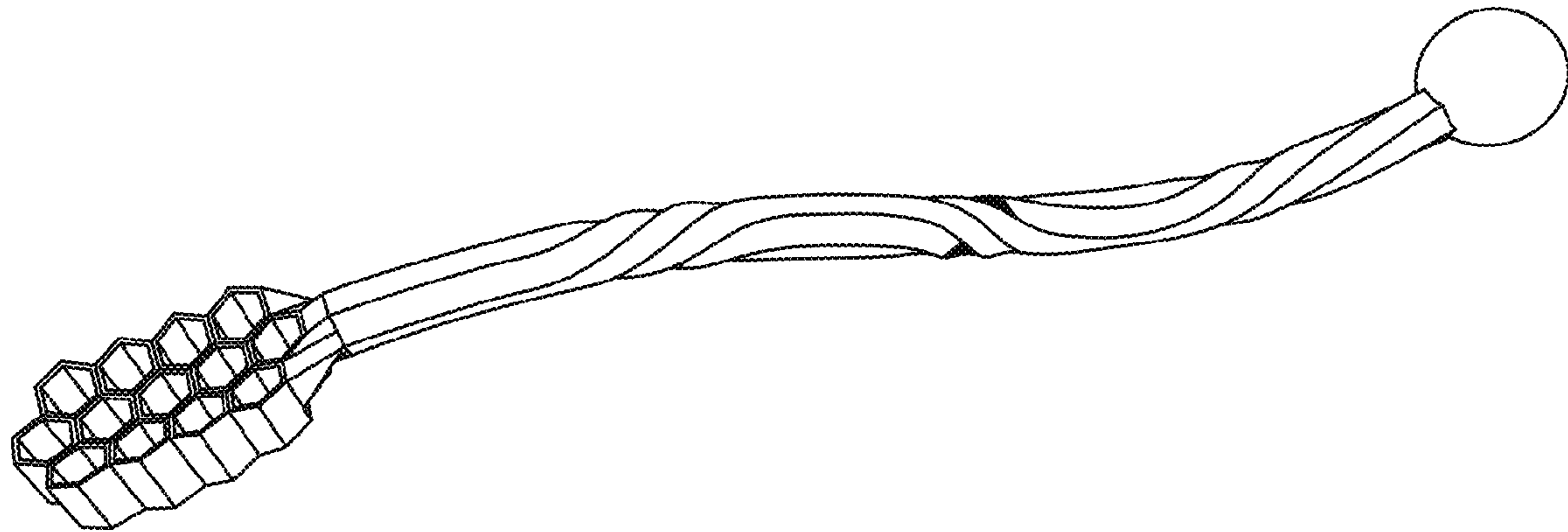
(56) **References Cited**

U.S. PATENT DOCUMENTS

3,411,723 A * 11/1968 Kohn A61C 19/00
15/236.01

D631,306 S * 1/2011 Capaul D7/688

1 Claim, 2 Drawing Sheets



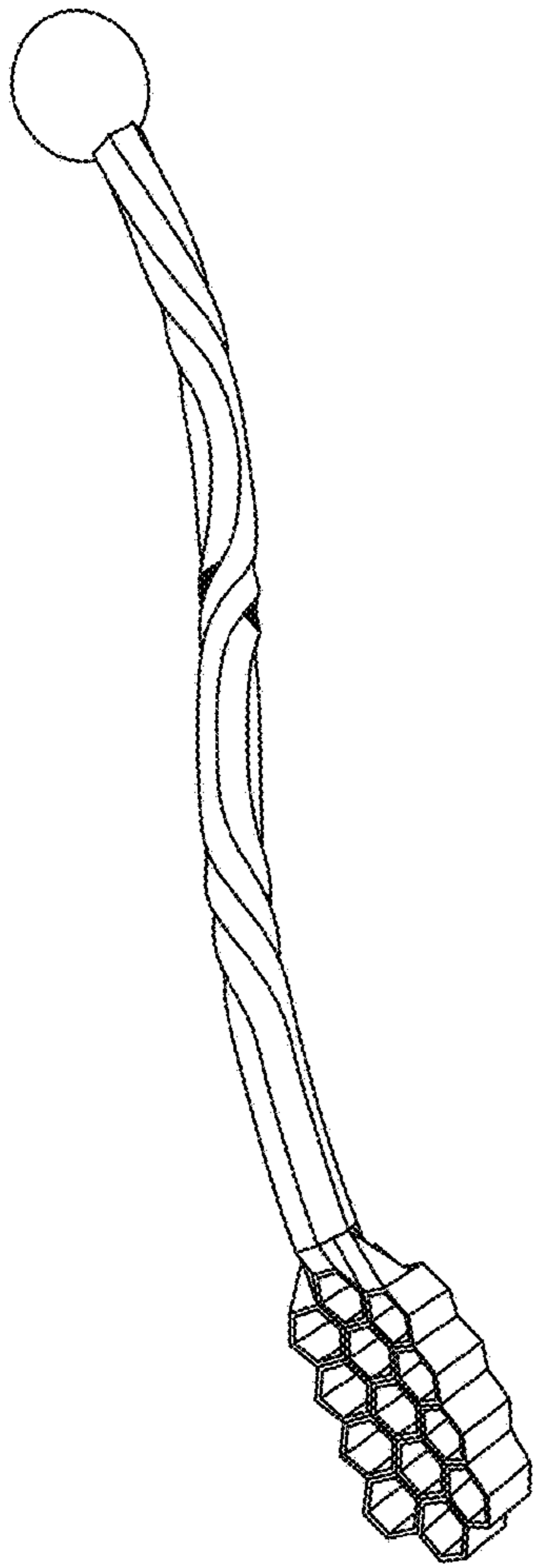


Figure 1

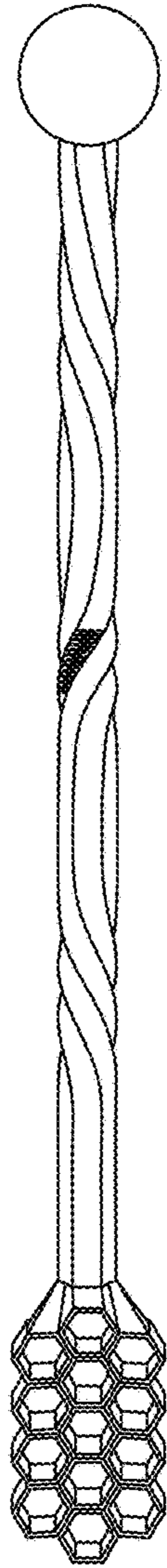


Figure 2

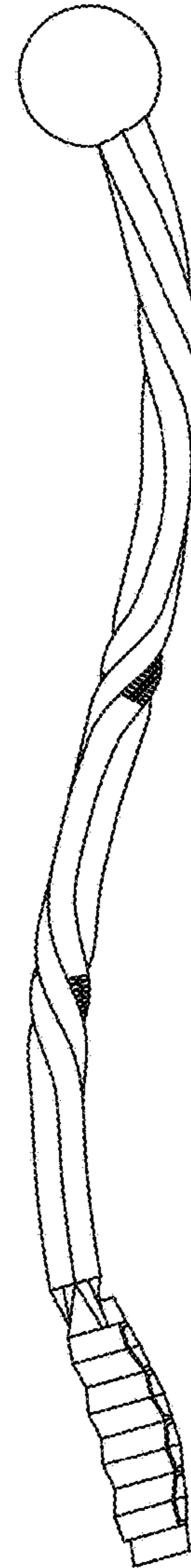


Figure 3

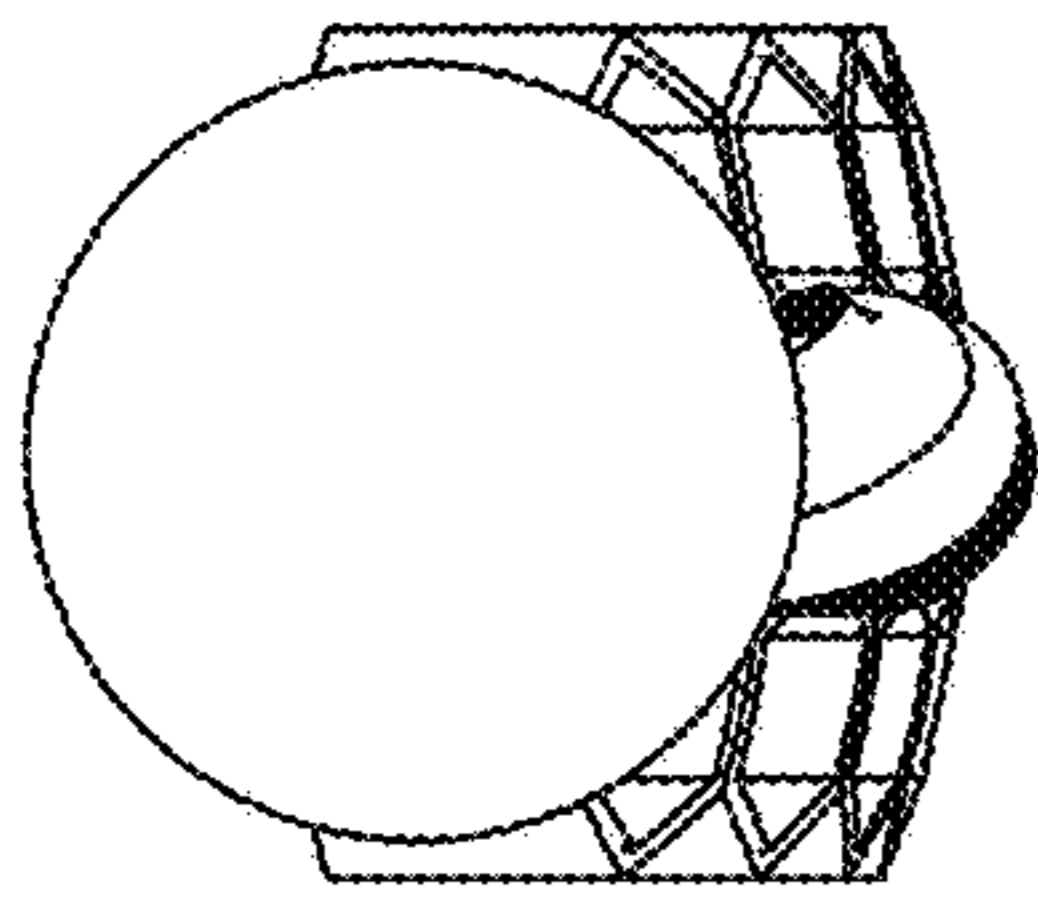


Figure 5

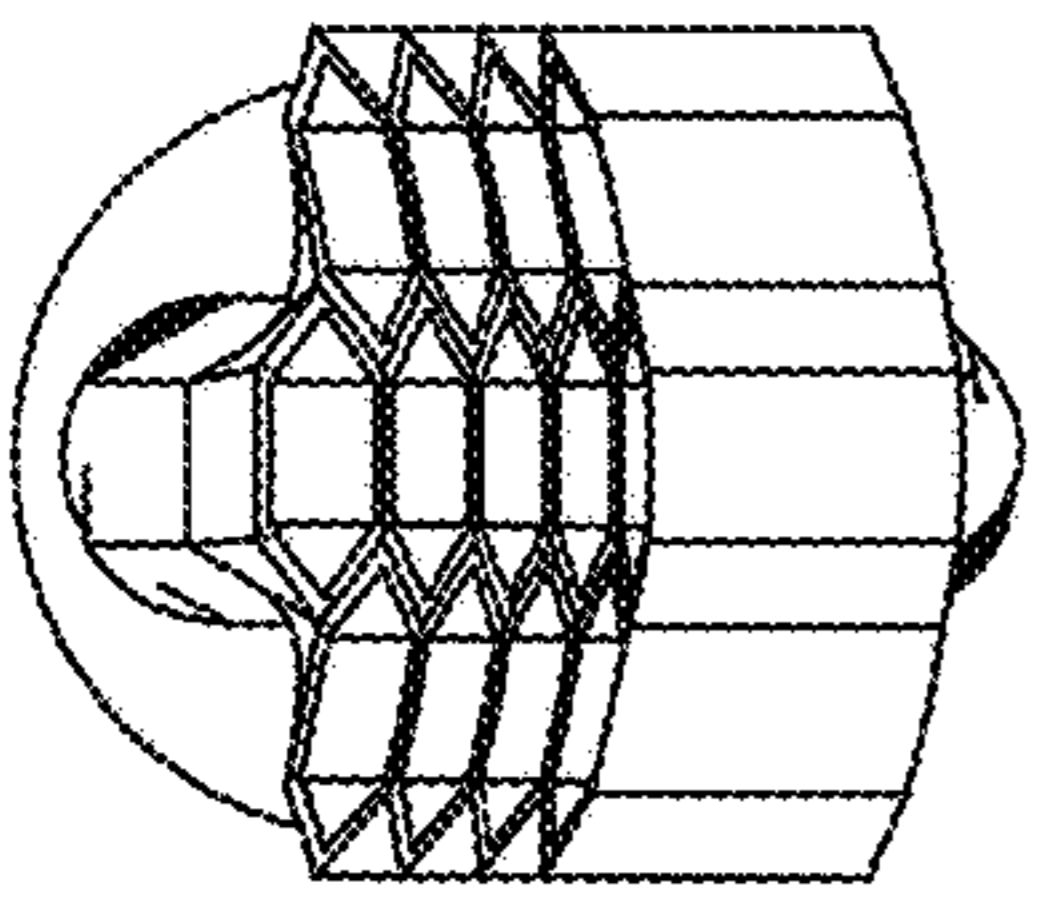


Figure 4

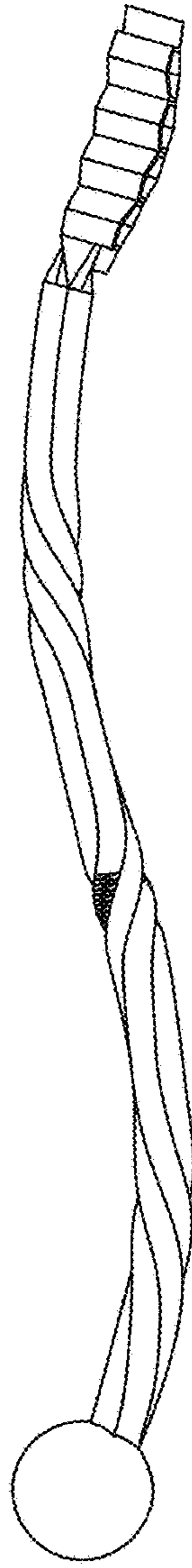


Figure 6

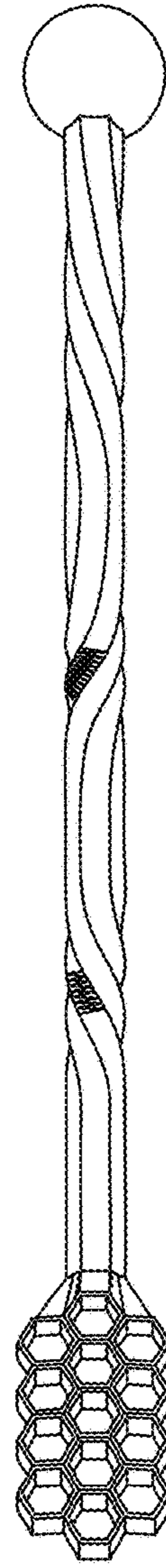


Figure 7