



US00D799910S

(12) **United States Design Patent** (10) **Patent No.:** **US D799,910 S**
Shalev (45) **Date of Patent:** **** Oct. 17, 2017**

(54) **TODDLER FORK**
(71) Applicant: **Maya Shalev**, Los Angeles, CA (US)
(72) Inventor: **Maya Shalev**, Los Angeles, CA (US)
(73) Assignee: **ELLI & NOOLI, LLC**, Los Angeles, CA (US)
(**) Term: **15 Years**
(21) Appl. No.: **29/558,965**
(22) Filed: **Mar. 23, 2016**
(51) **LOC (10) Cl.** **07-03**
(52) **U.S. Cl.**
USPC **D7/653**
(58) **Field of Classification Search**
USPC D7/368, 401.2, 642-645, 653-664, 669,
D7/675-677, 683, 688-689, 691;
D8/107, 300-301; D21/525, 576,
D21/606-609, 625-627; D22/117-118;
D24/194, 198
CPC ... A01D 9/02; A01D 9/04; A01D 9/06; A47G
21/00; A47G 21/004; A47G 21/005;
A47G 21/02; A47G 21/023; A47G 21/04;
A47G 21/06; A47G 21/08; A47J 43/28;
A47J 43/281; A47J 43/282; A61F 13/10;
A61J 7/0023; B25G 1/00; B25G 1/01;
B25G 1/02; B25G 3/00; B65D 75/56;
B65D 75/563; B65D 75/566; B67B 7/00;
B67B 7/724; B67B 7/73
See application file for complete search history.

D349,770 S * 8/1994 Jarnagin D24/198
D413,049 S * 8/1999 Bergkvist D7/653
6,134,790 A * 10/2000 Watson A47G 21/02
30/295
D482,248 S * 11/2003 Roehrig D7/663
D491,420 S * 6/2004 Shibata D7/653
D496,833 S * 10/2004 Lantz D7/653
D582,046 S * 12/2008 Rohrig D24/194
D592,019 S * 5/2009 Holcomb D7/643
D695,361 S * 12/2013 Roehrig D21/525
D707,307 S * 6/2014 Roehrig D21/525

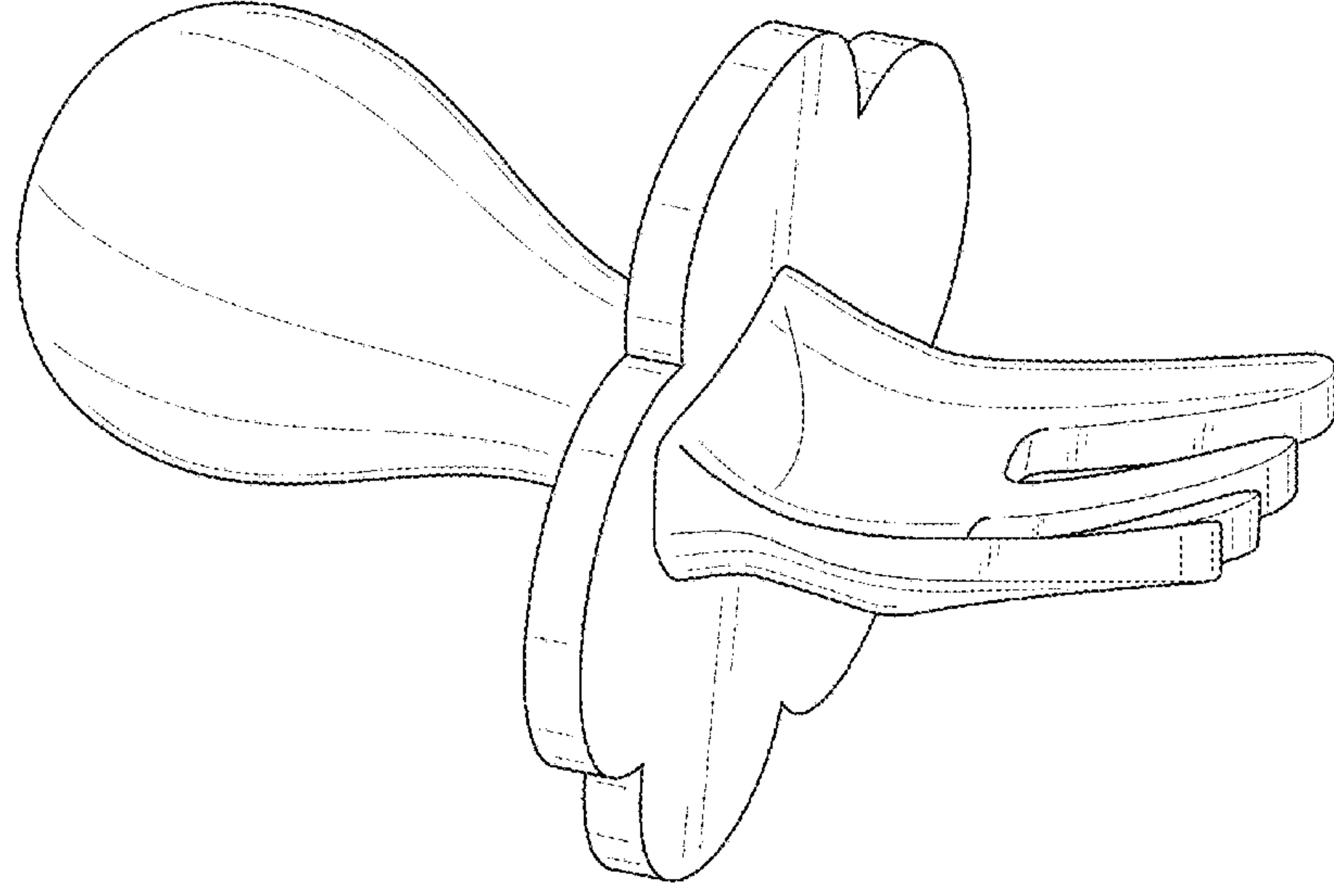
* cited by examiner
Primary Examiner — Ricky Pham
(74) *Attorney, Agent, or Firm* — K&L Gates LLP

(57) **CLAIM**
The ornamental design for a toddler fork, as shown and described herein.

DESCRIPTION
FIG. 1 illustrates a side view of a toddler fork showing my new design, the opposite side view being a mirror image thereof.
FIG. 2 illustrates a top plan view of the toddler fork of FIG. 1.
FIG. 3 illustrates a bottom plan view of the toddler fork of FIG. 1.
FIG. 4 illustrates a front elevational view of the toddler fork of FIG. 1.
FIG. 5 illustrates a perspective view of the top-side of the toddler fork of FIG. 1; and,
FIG. 6 illustrates a perspective view of the bottom-side of the toddler fork of FIG. 1.
Any broken lines in the drawings are for illustrative purposes only and form no part of the claimed design. Additionally, the toddler fork is not limited to the scale shown herein.

1 Claim, 6 Drawing Sheets

(56) **References Cited**
U.S. PATENT DOCUMENTS
D148,693 S * 2/1948 Grosvenor D21/406
D336,520 S * 6/1993 McDaniel D24/194
D339,036 S * 9/1993 McDaniel D7/643



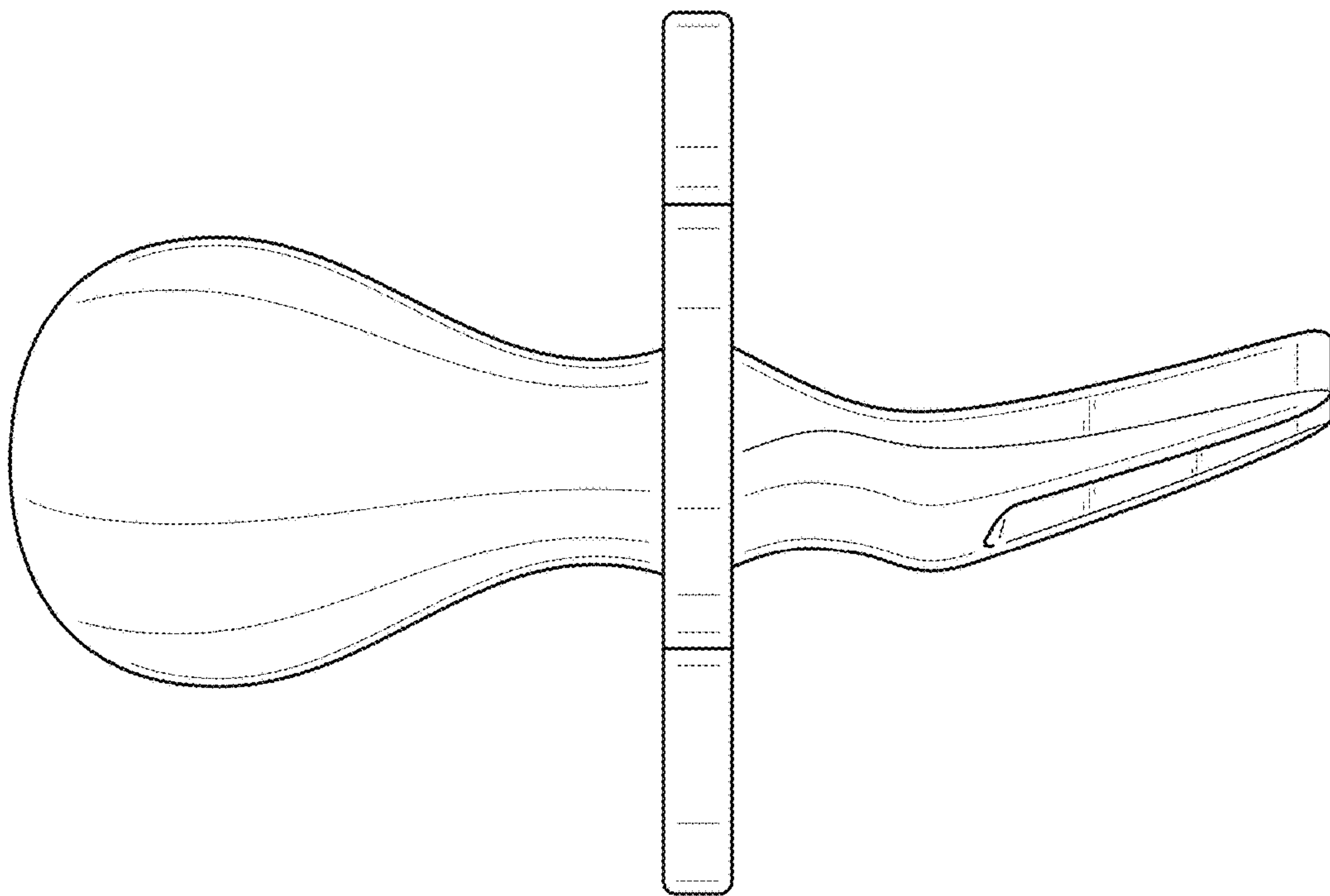


FIG. 1

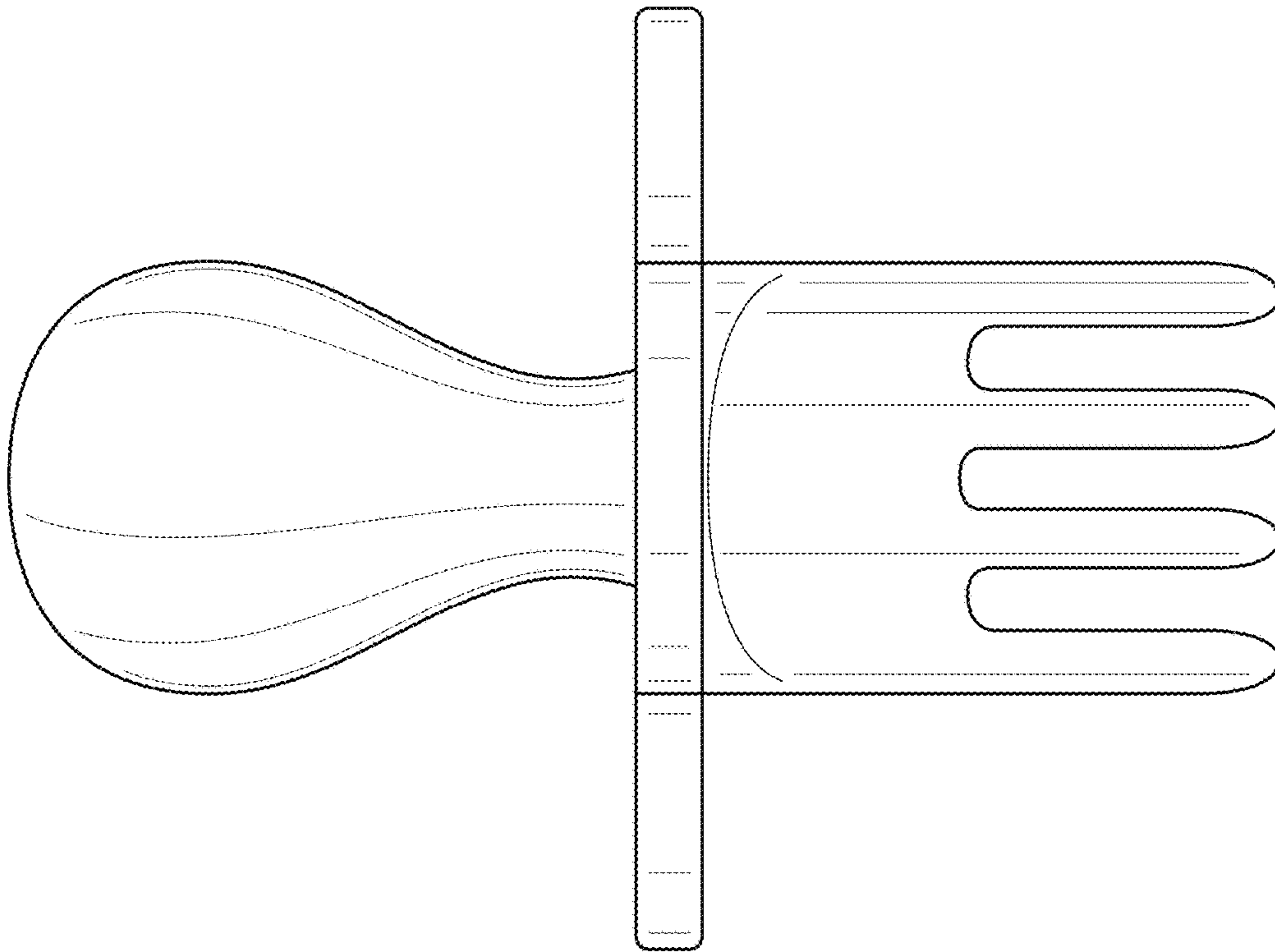


FIG. 2

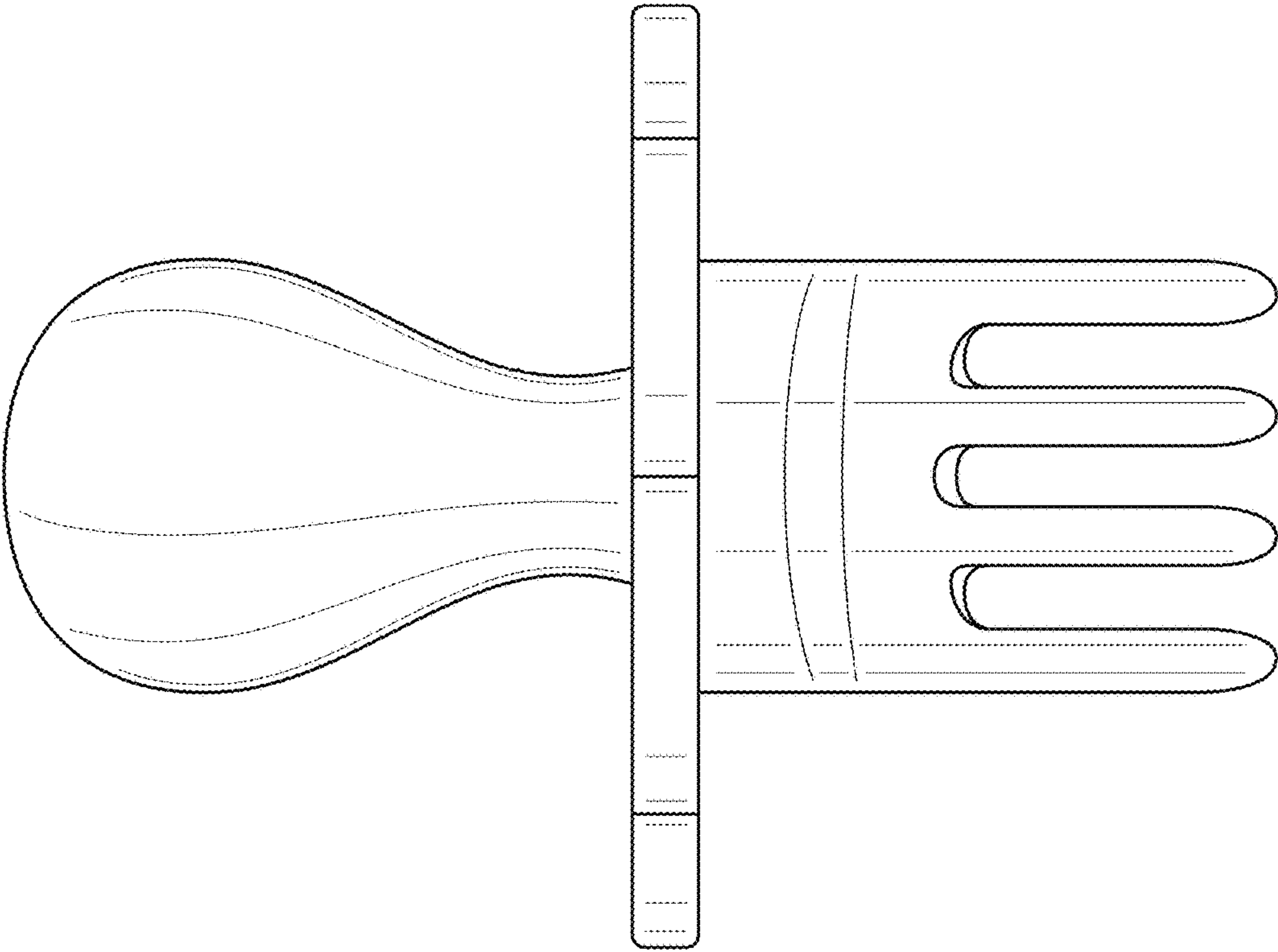


FIG. 3

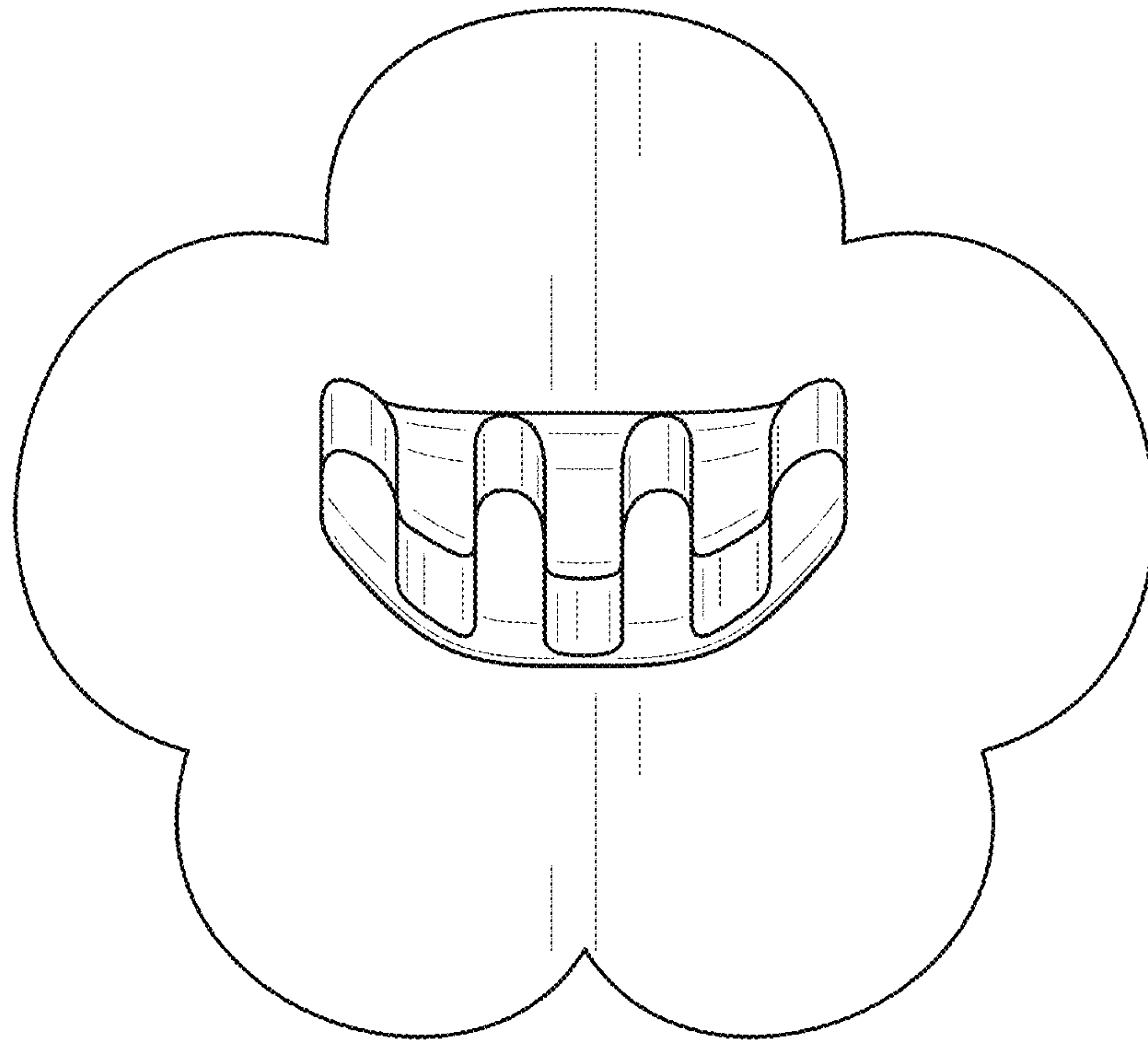


FIG. 4

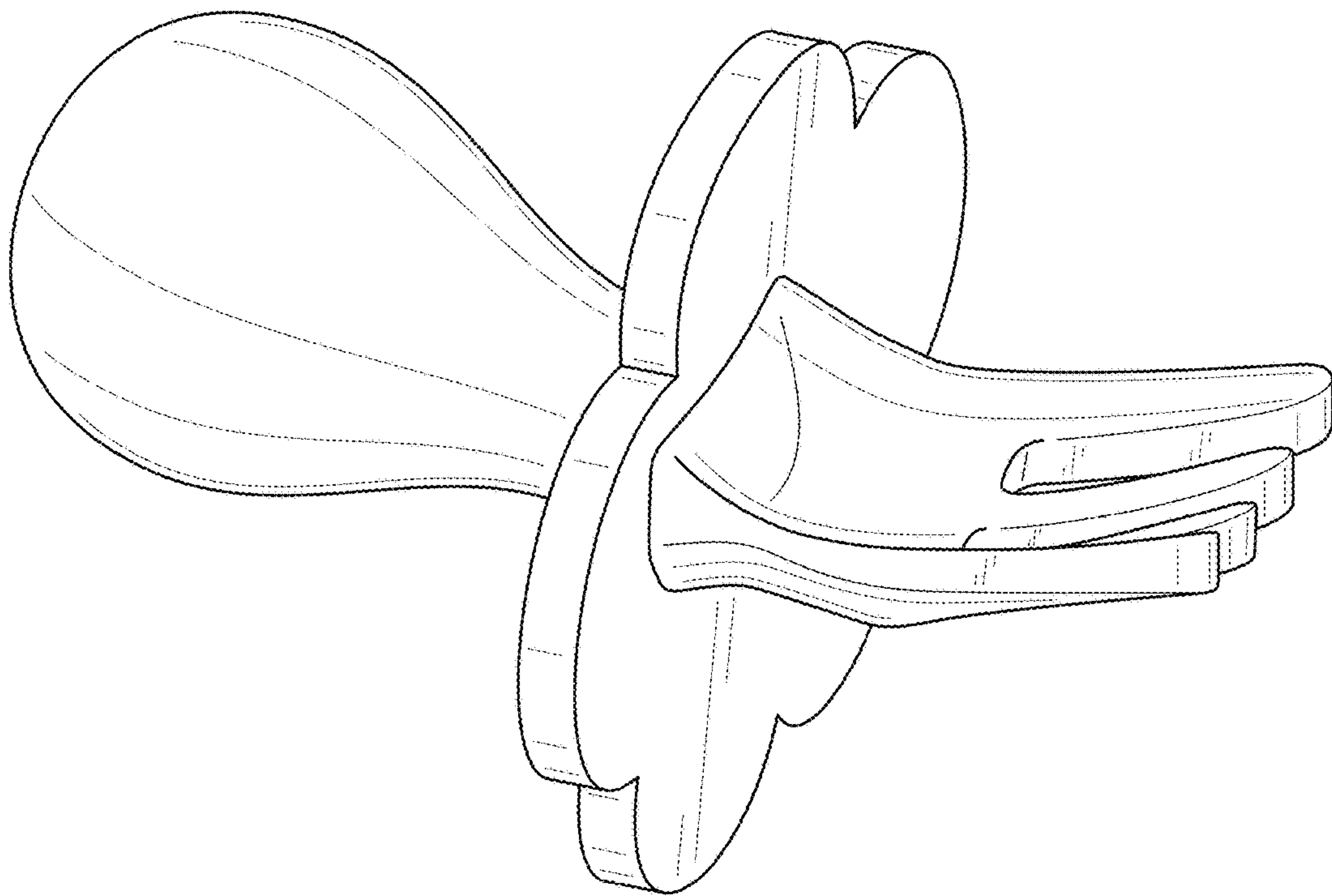


FIG. 5

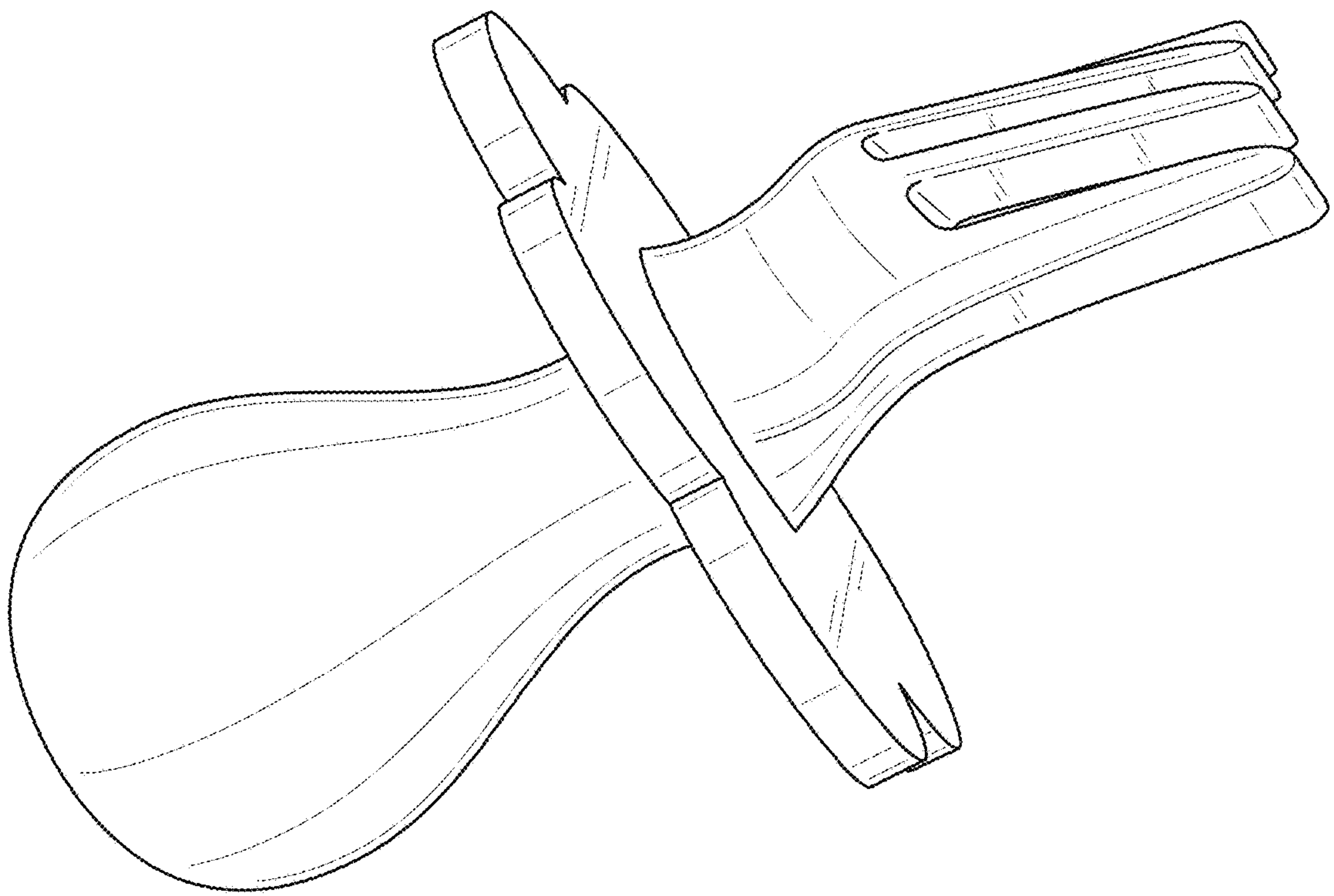


FIG. 6