



US00D799909S

(12) **United States Design Patent**
Partridge

(10) **Patent No.:** **US D799,909 S**

(45) **Date of Patent:** **** Oct. 17, 2017**

(54) **DETACHABLE AUTOMOTIVE CUP HOLDER**

D497,779 S * 11/2004 Giampavolo D7/620
2014/0117183 A1 * 5/2014 McClure A47G 23/0225
248/311.2

(71) Applicant: **Vineta Partridge**, Cumby, TX (US)

* cited by examiner

(72) Inventor: **Vineta Partridge**, Cumby, TX (US)

Primary Examiner — Terry A Wallace

(**) Term: **15 Years**

(74) *Attorney, Agent, or Firm* — Law Office of Jeff Williams; J. Oliver Williams

(21) Appl. No.: **29/571,018**

(22) Filed: **Jul. 13, 2016**

(57) **CLAIM**

The ornamental design for a detachable automotive cup holder, as shown.

(51) **LOC (10) Cl.** **07-06**

(52) **U.S. Cl.**
USPC **D7/620; D12/419**

DESCRIPTION

(58) **Field of Classification Search**
USPC D7/619.1–625, 701–708; D12/411, 419
CPC A47G 23/0225; B60N 3/103; B60N 3/102;
B60N 3/106; B60N 3/108; B62B 9/26
See application file for complete search history.

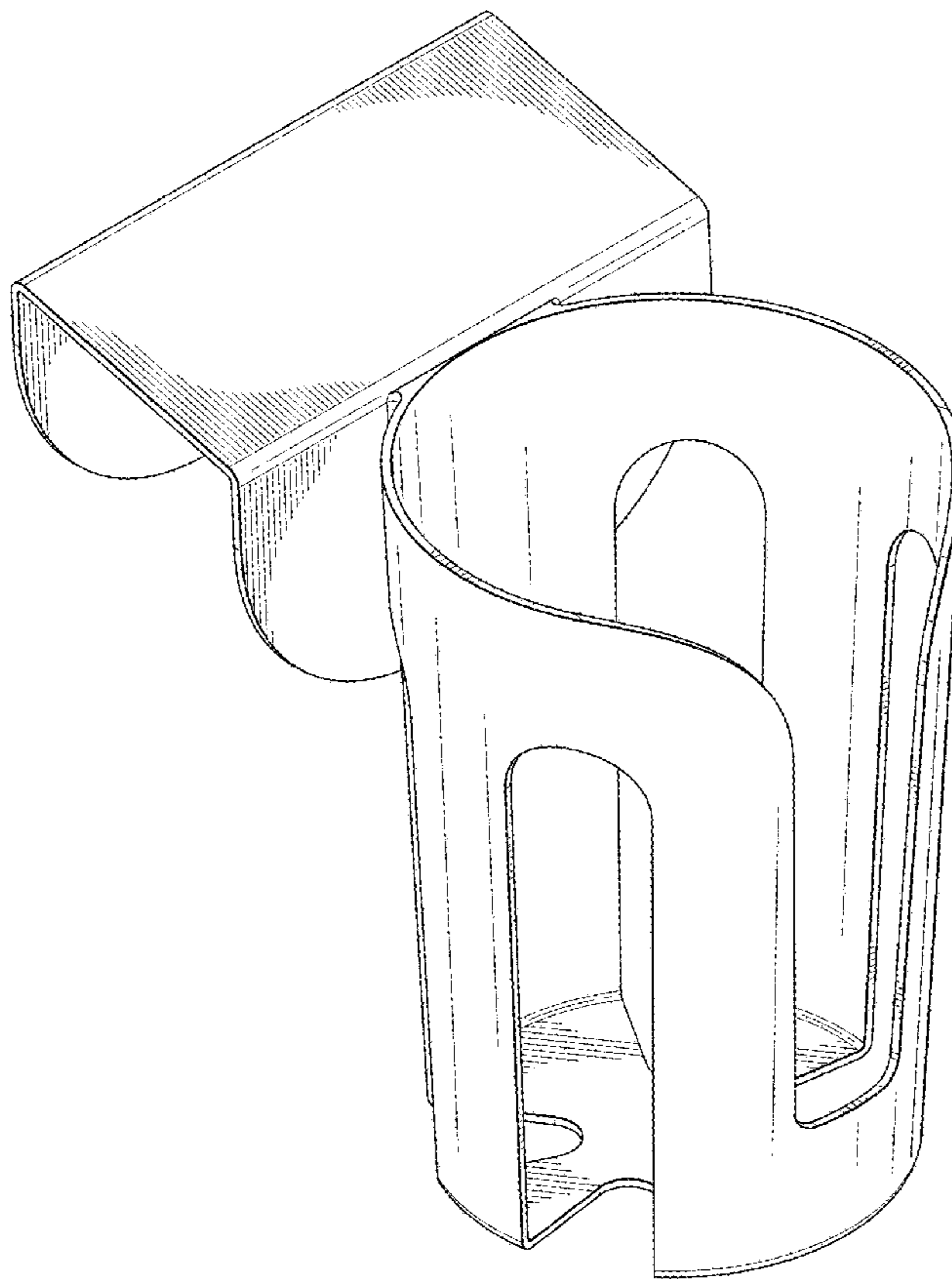
FIG. 1 is a perspective view of a detachable automotive cup holder according to the present application.
FIG. 2 is a front view of the detachable automotive cup holder of FIG. 1.
FIG. 3 is a back view of the detachable automotive cup holder of FIG. 1.
FIG. 4 is a left view of the detachable automotive cup holder of FIG. 1.
FIG. 5 is a right view of the detachable automotive cup holder of FIG. 1.
FIG. 6 is a top view of the detachable automotive cup holder of FIG. 1; and,
FIG. 7 is a bottom view of the detachable automotive cup holder of FIG. 1.

(56) **References Cited**

U.S. PATENT DOCUMENTS

2,628,054 A * 2/1953 Fazakerley B60N 3/103
211/74
D309,848 S * 8/1990 Sokolski D7/620
D325,495 S * 4/1992 Rowles D7/620
D401,121 S * 11/1998 Hartmann D7/620
5,857,601 A * 1/1999 Greenwood B62B 9/26
224/409

1 Claim, 7 Drawing Sheets



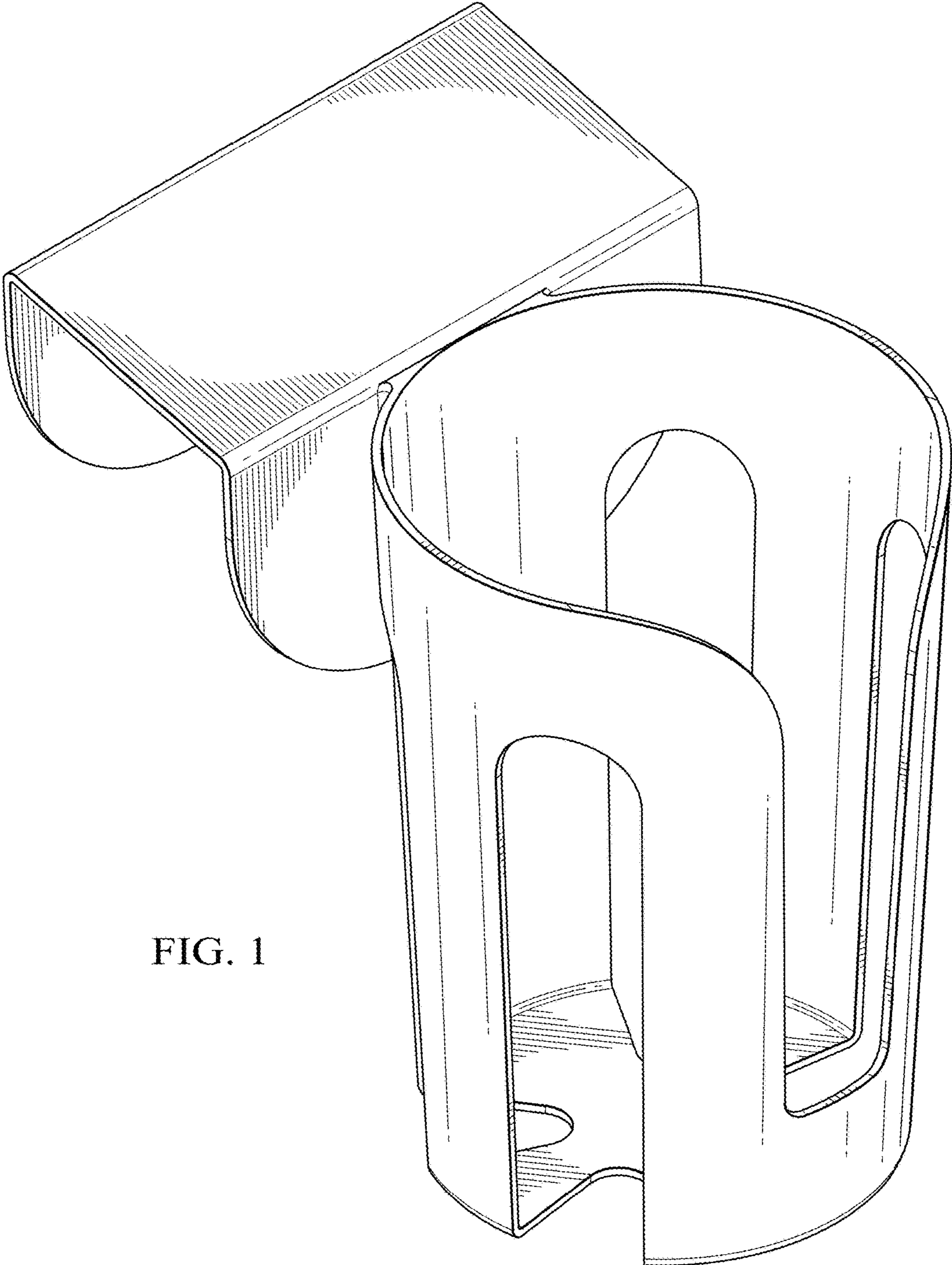


FIG. 1

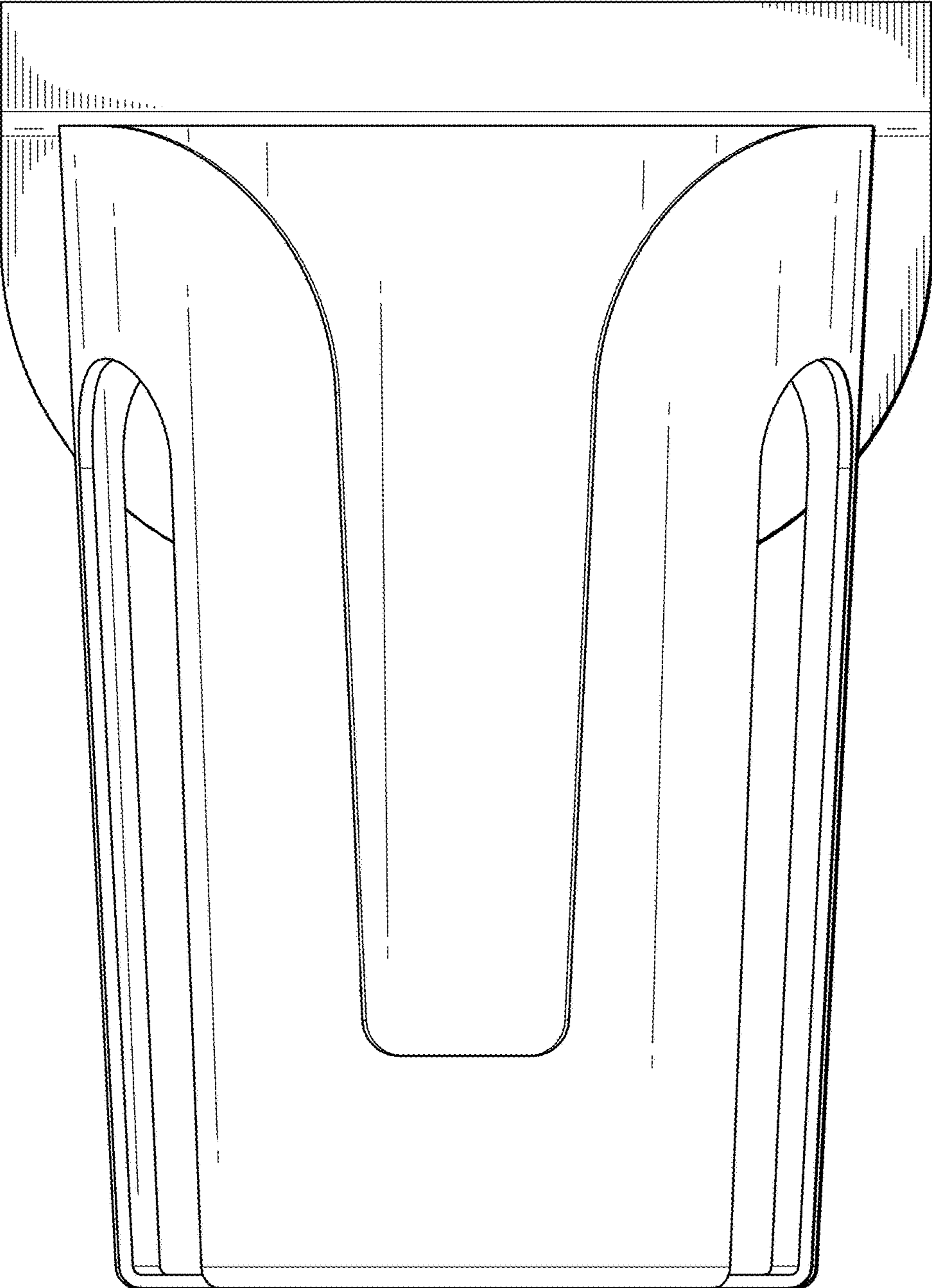


FIG. 2

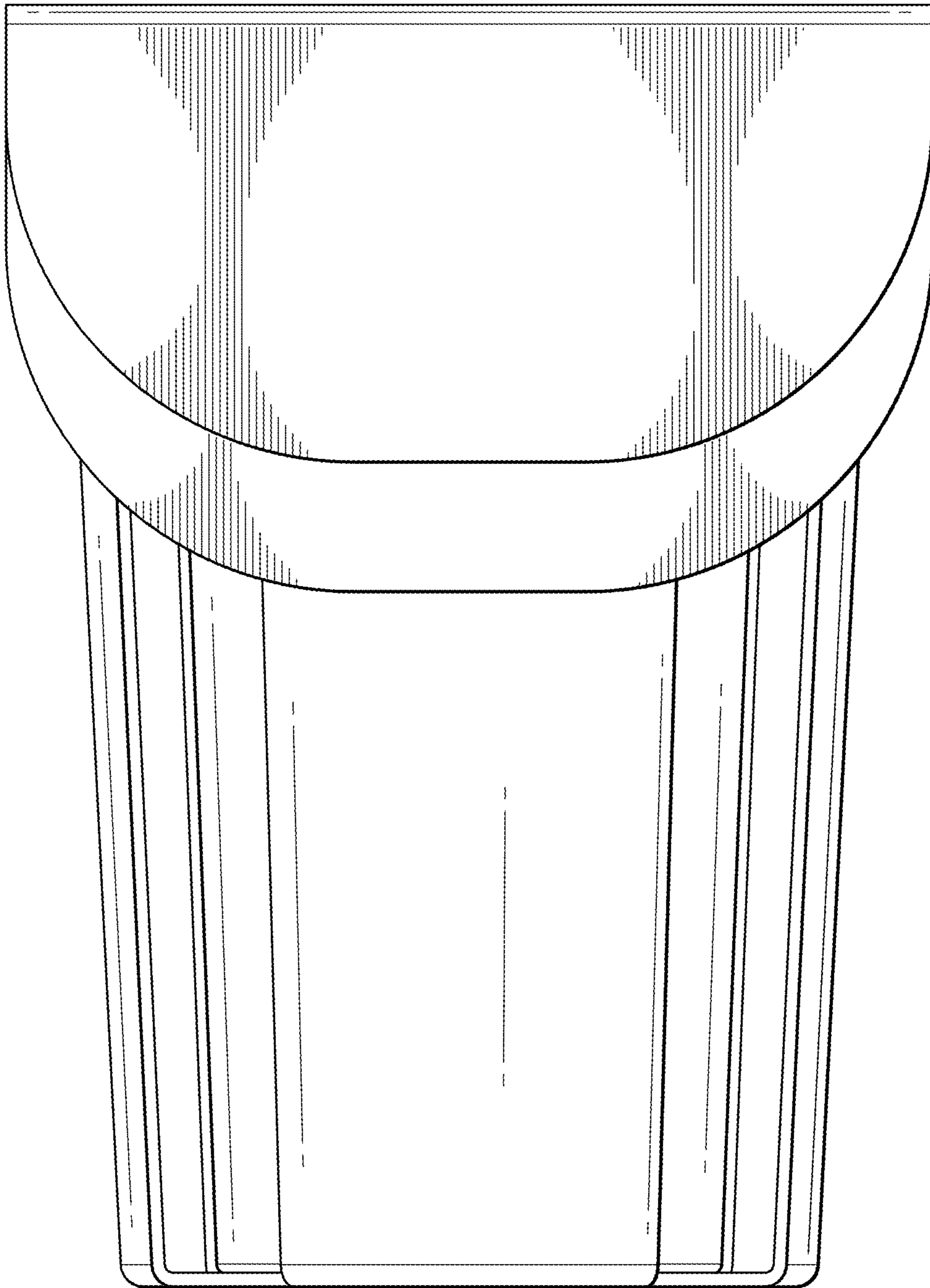


FIG. 3

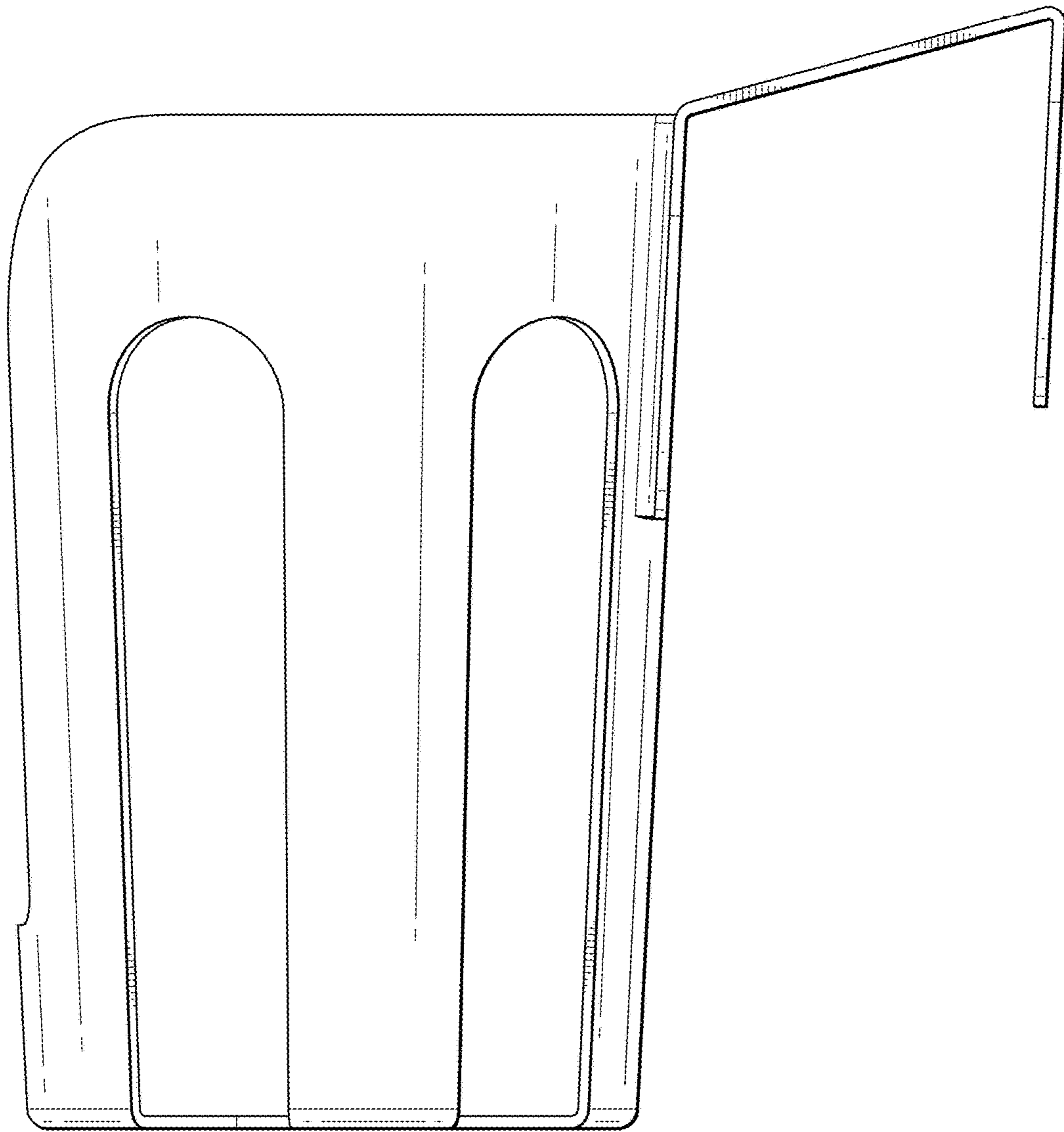


FIG. 4

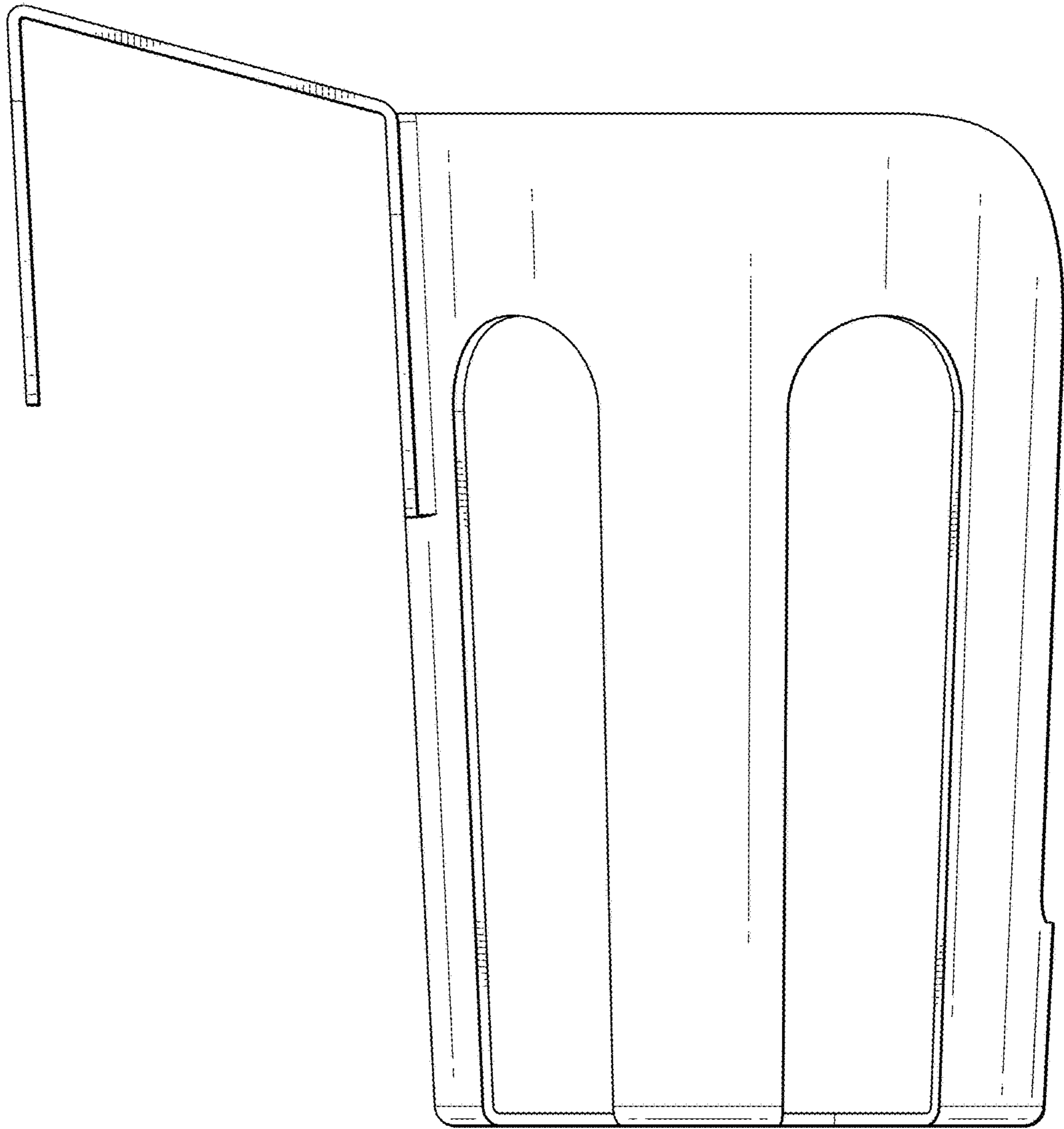


FIG. 5

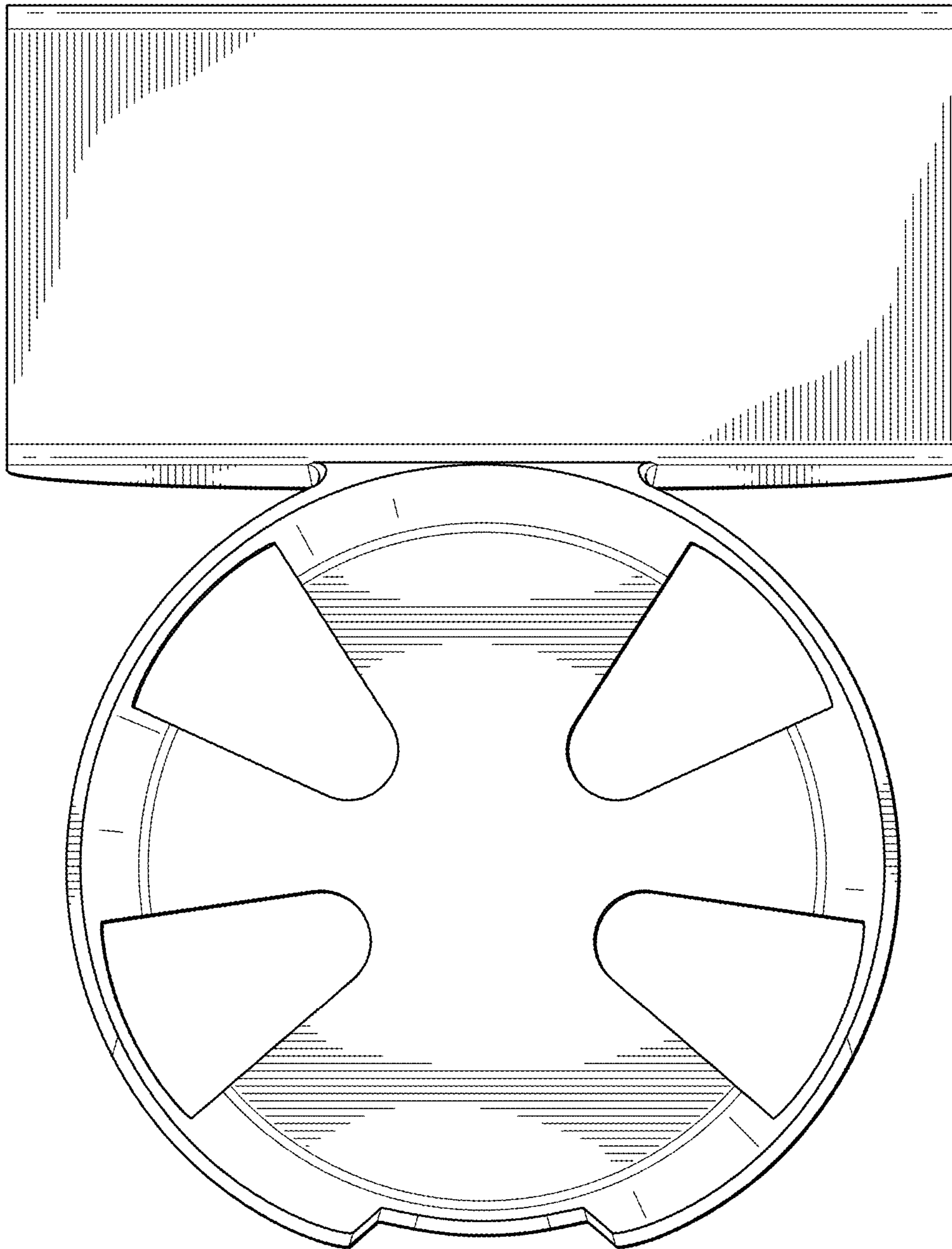


FIG. 6

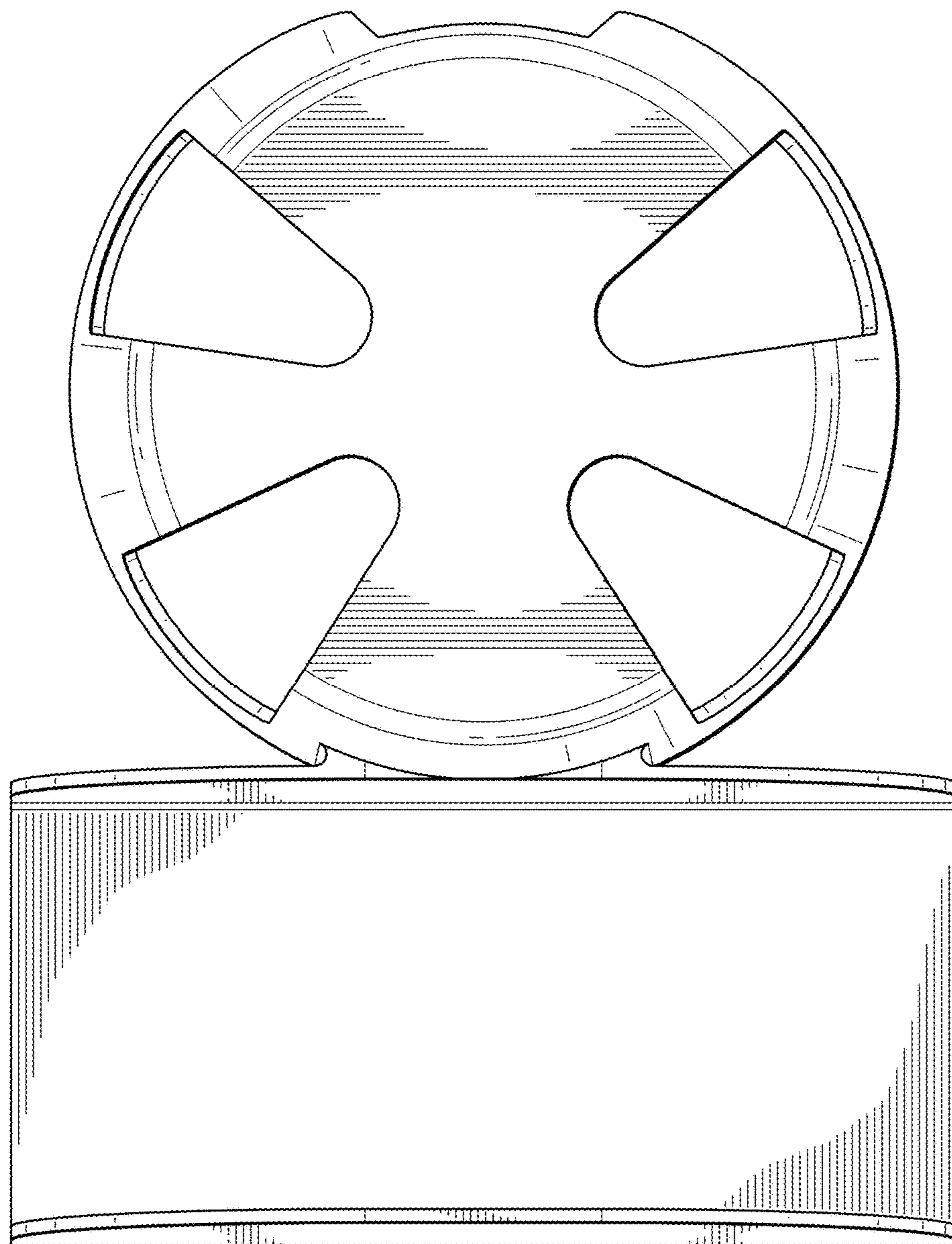


FIG. 7