

US00D799905S

(12) **United States Design Patent** (10) **Patent No.:** **US D799,905 S**
Seiders et al. (45) **Date of Patent:** **** Oct. 17, 2017**

(54) **INSULATING DEVICE**

FOREIGN PATENT DOCUMENTS

(71) Applicant: **YETI Coolers, LLC**, Austin, TX (US)

BE 1015808 A6 9/2005
CA 2300014 A1 8/2001

(72) Inventors: **Roy Joseph Seiders**, Rollingwood, TX (US); **Derek Sullivan**, Austin, TX (US); **Erik Steven Larson**, Austin, TX (US); **Alex Baires**, Austin, TX (US)

(Continued)

(73) Assignee: **YETI Coolers, LLC**, Austin, TX (US)

Stopper Dry Bag, <http://www.seatosummit.com/products/display/181>, published date unknown, but prior to the filing date of the present application, Sea To Summit, United States.

(**) Term: **15 Years**

(Continued)

(21) Appl. No.: **29/553,946**

Primary Examiner — Terry Wallace

(22) Filed: **Feb. 5, 2016**

(74) *Attorney, Agent, or Firm* — Banner & Witcoff, Ltd.

(51) **LOC (10) Cl.** **07-01**

(52) **U.S. Cl.**
USPC **D7/607**

(57) **CLAIM**

(58) **Field of Classification Search**
USPC D7/605, 607, 709, 710, 629; D3/283, D3/289

The ornamental design for an insulating device, as shown and described.

CPC F25D 2331/804; F25D 3/08; B65D 30/08; B65D 81/3858; B65D 81/3823; B65D 81/3888; B65D 81/18; B65D 8/18; B65D 31/04; A45C 11/20

DESCRIPTION

See application file for complete search history.

FIG. 1 is a top, front, left perspective view of an insulating device showing our new design; FIG. 2 is a front view thereof; FIG. 3 is a rear view thereof; FIG. 4 is a right side view thereof; FIG. 5 is a left side view thereof; FIG. 6 is a top view thereof; and, FIG. 7 is a bottom view thereof.

The uneven-length and even-length broken lines immediately adjacent to the shaded area represent unclaimed boundaries of the design. The even-length broken lines showing the remainder of the insulating device are for environmental purposes only and form no part of the claimed design. The contrast in shading represents a contrast in appearance only and does not represent any particular color, material, texture or finish.

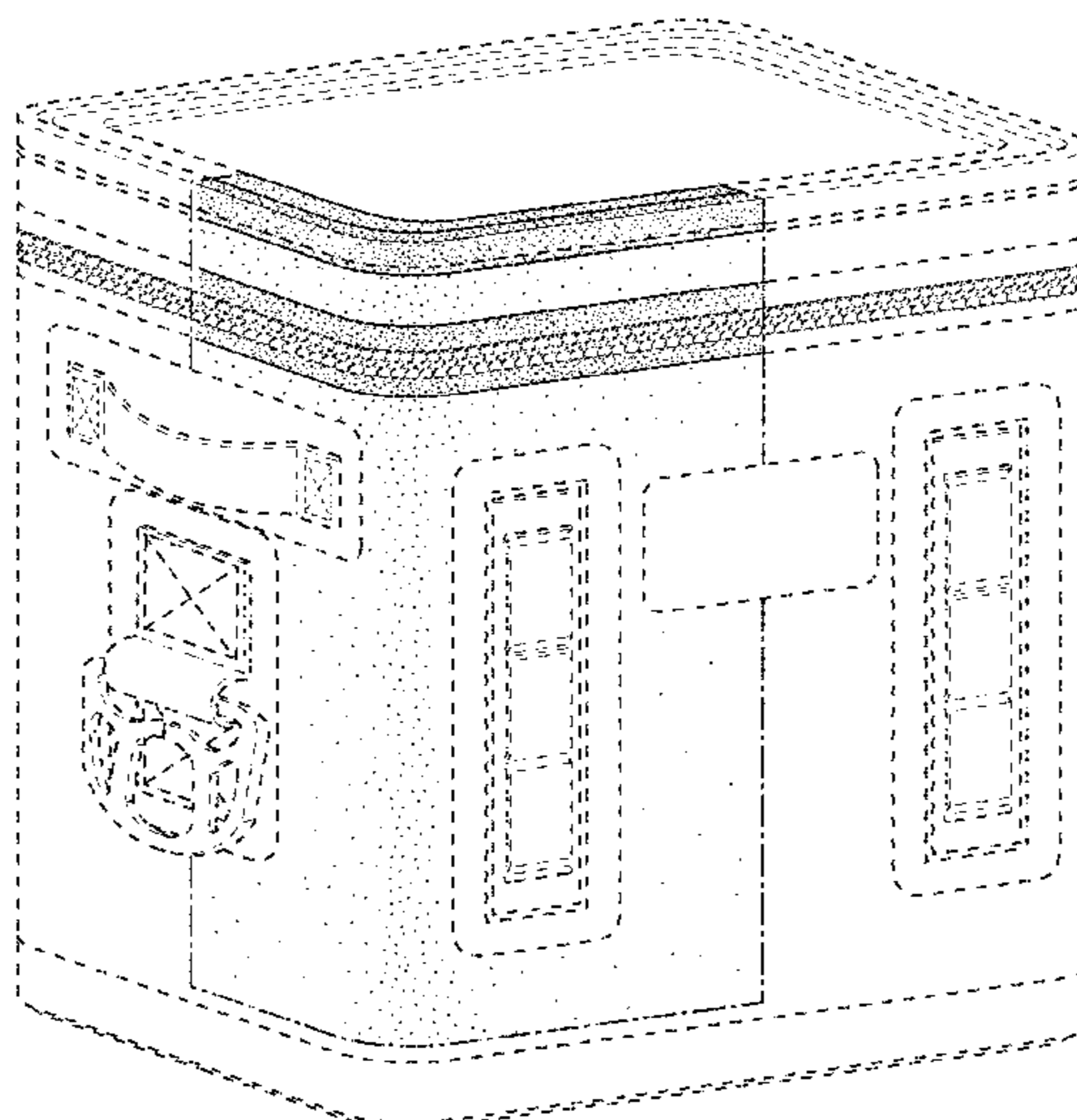
(56) **References Cited**

U.S. PATENT DOCUMENTS

1,949,677 A	3/1934	Crawford
2,119,621 A	6/1938	Ferrone
2,253,598 A	8/1941	Africa
2,289,254 A	7/1942	Eagles
2,522,381 A	9/1950	Kramer
2,575,191 A	11/1951	Seipp
2,633,223 A	3/1953	Zeamer
2,661,785 A	12/1953	Daust
2,685,385 A	8/1954	Kuss
2,808,093 A	10/1957	Gilman
2,954,891 A	10/1960	Imber
3,066,846 A	12/1962	Domigan

(Continued)

1 Claim, 7 Drawing Sheets



(56)

References Cited

U.S. PATENT DOCUMENTS

3,454,197 A	7/1969	Thompson	5,569,401 A	10/1996	Gilliland et al.	
3,801,425 A	4/1974	Cook	5,595,320 A	1/1997	Aghassipour	
3,814,288 A	6/1974	Westrich	D383,360 S	9/1997	Melk	
3,905,511 A	9/1975	Groendal	5,680,944 A	10/1997	Rueter	
4,125,212 A	11/1978	Courchesne	5,680,958 A	10/1997	Mann et al.	
4,127,155 A	11/1978	Hydorn	D386,310 S	11/1997	Smith	
4,194,627 A	3/1980	Christensen	5,687,874 A	11/1997	Omori et al.	
4,196,817 A	4/1980	Moser	D387,249 S *	12/1997	Mogil	D7/607
4,197,890 A	4/1980	Simko	5,706,969 A	1/1998	Yamada et al.	
4,211,091 A	7/1980	Campbell	D394,553 S	5/1998	Lin	
4,248,366 A	2/1981	Christiansen	D395,555 S	6/1998	Ursitti	
4,344,303 A	8/1982	Kelly, Jr.	5,758,513 A	6/1998	Smith	
4,372,453 A	2/1983	Branscum	D397,273 S	8/1998	Collie	
4,375,828 A	3/1983	Biddison	5,816,709 A	10/1998	Demus	
4,399,668 A	8/1983	Williamson	D401,063 S	11/1998	Yamamoto et al.	
4,468,933 A	9/1984	Christopher	5,842,571 A	12/1998	Rausch	
4,513,895 A	4/1985	Leslie	5,845,514 A	12/1998	Clarke et al.	
4,537,313 A	8/1985	Workman	5,848,734 A	12/1998	Melk	
4,541,540 A	9/1985	Gretz et al.	5,857,778 A	1/1999	Ells	
D281,122 S	10/1985	Bomes et al.	5,909,821 A	6/1999	Guridi	
D281,546 S	12/1985	Bradshaw	5,913,448 A	6/1999	Mann et al.	
4,571,338 A	2/1986	Okonogi et al.	5,915,580 A	6/1999	Melk	
4,595,101 A	6/1986	Rivera	5,931,583 A	8/1999	Collie	
4,596,370 A	6/1986	Adkins	5,988,468 A	11/1999	Murdoch et al.	
4,598,746 A	7/1986	Rabinowitz	5,988,879 A	11/1999	Bredderman et al.	
4,679,242 A	7/1987	Brockhaus	6,019,245 A	2/2000	Foster et al.	
4,708,254 A	11/1987	Byrns	6,027,249 A	2/2000	Bielinski	
4,746,028 A	5/1988	Bagg	6,029,847 A	2/2000	Mahoney, Jr. et al.	
4,759,077 A	7/1988	Leslie	D424,417 S	5/2000	Axelsson	
4,765,476 A	8/1988	Lee	6,059,140 A	5/2000	Hicks	
4,796,937 A	1/1989	Andrea	6,065,873 A	5/2000	Fowler	
4,802,344 A	2/1989	Livingston et al.	6,068,402 A	5/2000	Freese et al.	
4,802,602 A	2/1989	Evans et al.	6,073,796 A	6/2000	Mogil	
4,812,054 A	3/1989	Kirkendall	6,082,589 A	7/2000	Ash et al.	
4,826,060 A	5/1989	Hollingsworth	6,082,896 A	7/2000	Pulli	
4,858,444 A	8/1989	Scott	6,089,038 A	7/2000	Tattam	
4,867,214 A	9/1989	Fuller	6,092,266 A	7/2000	Lee	
4,886,183 A	12/1989	Fleming	6,128,915 A	10/2000	Wagner	
4,941,603 A	7/1990	Creamer et al.	6,145,715 A	11/2000	Slonim	
4,984,906 A	1/1991	Little	6,149,305 A	11/2000	Fier	
4,986,089 A	1/1991	Raab	6,193,034 B1	2/2001	Fournier	
4,989,418 A	2/1991	Hewlett	6,220,473 B1	4/2001	Lehman et al.	
5,004,091 A	4/1991	Natho et al.	6,234,677 B1	5/2001	Mogil	
5,005,679 A	4/1991	Hjelle	6,253,570 B1	7/2001	Lustig	
5,042,664 A	8/1991	Shyr et al.	6,276,579 B1	8/2001	DeLoach	
5,048,734 A	9/1991	Long	D447,667 S	9/2001	Schneider et al.	
5,062,557 A	11/1991	Mahvi et al.	6,286,709 B1	9/2001	Hudson	
5,190,376 A	3/1993	Book	6,296,134 B1	10/2001	Cardinale	
5,216,900 A	6/1993	Jones	6,296,165 B1 *	10/2001	Mears	A45C 3/00 150/107
5,221,016 A	6/1993	Karpal	6,336,577 B1	1/2002	Harris et al.	
5,237,838 A	8/1993	Merritt-Munson	6,353,215 B1	3/2002	Revels et al.	
5,244,136 A	9/1993	Collaso	D455,934 S	4/2002	Culp et al.	
D339,979 S	10/1993	Wehrley	6,409,066 B1	6/2002	Schneider et al.	
D340,387 S	10/1993	Melk	6,422,032 B1	7/2002	Greene	
D340,621 S	10/1993	Melk	D464,235 S	10/2002	Jeong	
D340,840 S	11/1993	Melk	D465,134 S *	11/2002	Joss	D3/287
5,269,368 A	12/1993	Schneider et al.	6,481,239 B2	11/2002	Hodosh et al.	
D343,992 S	2/1994	Melk	D466,291 S	12/2002	Ng	
5,297,870 A	3/1994	Weldon	6,495,194 B2	12/2002	Sato et al.	
5,313,807 A	5/1994	Owen	6,505,479 B2	1/2003	Defelice et al.	
5,325,991 A	7/1994	Williams	6,511,695 B1	1/2003	Paquin et al.	
5,354,131 A	10/1994	Mogil	D472,431 S	4/2003	Spence, Jr.	
5,355,684 A	10/1994	Guice	6,554,155 B1	4/2003	Beggins	
5,398,848 A	3/1995	Padamsee	D474,649 S	5/2003	Spence, Jr.	
5,400,610 A	3/1995	Macedo	6,582,124 B2	6/2003	Mogil	
5,403,095 A	4/1995	Melk	D476,481 S	7/2003	Gilbert	
5,421,172 A	6/1995	Jones	6,595,687 B2	7/2003	Godshaw et al.	
5,447,764 A	9/1995	Langford	D478,782 S	8/2003	Li	
5,490,396 A	2/1996	Morris	6,604,649 B1	8/2003	Campi	
D370,599 S	6/1996	Christopher et al.	6,605,311 B2	8/2003	Villagran et al.	
D371,052 S	6/1996	Melk	6,619,447 B1	9/2003	Garcia, III et al.	
5,529,217 A	6/1996	Siegel	6,629,430 B2	10/2003	Mills et al.	
D373,515 S	9/1996	Melk	D482,241 S	11/2003	Tyler	
5,562,228 A	10/1996	Ericson	6,652,933 B2	11/2003	Hall	
5,564,568 A	10/1996	Rankin, Sr.	6,655,543 B2	12/2003	Beuke	
			D485,131 S	1/2004	Lanman et al.	
			D485,732 S	1/2004	Lanman et al.	
			D486,038 S	2/2004	Lanman et al.	

(56)

References Cited

U.S. PATENT DOCUMENTS

6,729,758 B1	5/2004	Carter	D674,664 S	1/2013	Collie
D492,160 S	6/2004	Lanman et al.	8,424,713 B2	4/2013	Bolland
D497,518 S	10/2004	Bellofatto, Jr. et al.	D682,635 S	5/2013	Boroski
6,799,693 B2	10/2004	Meza	8,453,899 B1	6/2013	Calkin
D498,924 S	11/2004	Karl	8,474,640 B2	7/2013	Armstrong
D502,599 S	3/2005	Cabana et al.	8,516,848 B2	8/2013	White et al.
D503,279 S	3/2005	Smith	8,544,678 B1	10/2013	Hughes
6,874,356 B2	4/2005	Kornfeldt et al.	8,573,002 B2	11/2013	Ledoux et al.
D506,645 S	6/2005	Bellofatto, Jr. et al.	D695,568 S	12/2013	Hayes
D512,274 S	12/2005	Cabey	8,622,235 B2	1/2014	Suchecki
D515,362 S	2/2006	Chan	D699,940 S	2/2014	Robert
D517,801 S	3/2006	Woo	D699,941 S	2/2014	Robert
D520,306 S	5/2006	Peterson	D703,946 S	5/2014	Tweedie
D523,243 S	6/2006	Nashmy	8,720,739 B2	5/2014	Bollis
D527,226 S	8/2006	Maldonado	D711,096 S	8/2014	Hanna
D530,089 S	10/2006	Silverman	D712,555 S	9/2014	Berg
7,153,025 B1	12/2006	Jackson et al.	8,827,109 B1	9/2014	Sheehan
D534,771 S	1/2007	Zorn	8,844,756 B2	9/2014	Beyburg
7,162,890 B2	1/2007	Mogil et al.	D715,544 S	10/2014	Levine
D539,033 S	3/2007	Cassegrain	D718,931 S	12/2014	Brundl
7,201,285 B2	4/2007	Beggins	D719,303 S	12/2014	Anderson
7,207,716 B2	4/2007	Buchanan et al.	8,899,071 B2	12/2014	Mogil et al.
7,219,814 B2	5/2007	Lown et al.	D725,908 S	4/2015	Zwetzig
7,240,513 B1	7/2007	Conforti	D728,942 S	5/2015	Byham
7,264,134 B2	9/2007	Tulp	D732,348 S	6/2015	Seiders et al.
7,302,810 B2	12/2007	McCrary	D732,349 S	6/2015	Seiders et al.
D560,102 S	1/2008	Sumter	D732,350 S	6/2015	Seiders et al.
7,313,927 B2	1/2008	Barker	D732,899 S	6/2015	Seiders et al.
7,344,028 B2	3/2008	Hanson	D734,643 S	7/2015	Boroski
D570,603 S	6/2008	Wu et al.	D734,992 S	7/2015	Boroski
D573,422 S	7/2008	Tagliati et al.	9,084,463 B2 *	7/2015	Merrill A45C 11/20
D574,667 S	8/2008	Grabijas, III et al.	D738,108 S	9/2015	Adler et al.
D578,401 S	10/2008	Perry et al.	D739,654 S	9/2015	Brouard
7,481,065 B2	1/2009	Krieger	9,139,352 B2	9/2015	Seiders et al.
D598,194 S	8/2009	Turvey et al.	9,146,051 B2	9/2015	Kamin et al.
7,597,478 B2	10/2009	Pruchnicki et al.	D747,104 S	1/2016	Ford
7,634,919 B2	12/2009	Bernhard, Jr. et al.	9,226,558 B2	1/2016	Armstrong
D607,697 S	1/2010	Whitlock et al.	9,254,022 B2	2/2016	Meldeau et al.
D608,096 S	1/2010	Noble	9,254,023 B2	2/2016	Su et al.
D608,159 S	1/2010	Whitlock et al.	9,265,318 B1	2/2016	Williams et al.
D610,795 S	3/2010	Dejadon	D752,347 S	3/2016	Seiders et al.
D611,706 S	3/2010	Angles et al.	9,271,553 B2 *	3/2016	Ponx A45C 3/10
7,682,080 B2	3/2010	Mogil	9,290,313 B2	3/2016	De Lesseux et al.
D617,560 S	6/2010	Wu	D756,109 S	5/2016	Hayashi
7,730,739 B2	6/2010	Fuchs	9,366,467 B2	6/2016	Kiedaisch et al.
D618,966 S	7/2010	Koehler et al.	D760,494 S	7/2016	Harvey-Pankey
D619,423 S *	7/2010	Koehler D7/607	D761,561 S	7/2016	Cheng
D619,854 S *	7/2010	Koehler D7/607	D763,570 S	8/2016	Potts
D619,855 S	7/2010	Koehler et al.	D764,791 S	8/2016	Patel
D620,707 S	8/2010	Mogil	D770,763 S	11/2016	Joo et al.
D620,708 S	8/2010	Sanz	D772,562 S	11/2016	Petre
7,775,388 B2	8/2010	Murrer, III	2002/0197369 A1	12/2002	Modler
7,784,759 B2	8/2010	Farrell	2003/0070447 A1	4/2003	Tanaka
7,791,003 B2	9/2010	Lockhart et al.	2003/0080133 A1	5/2003	Butler
7,811,620 B2	10/2010	Merrill et al.	2003/0106895 A1	6/2003	Kalal
7,815,069 B1	10/2010	Bellofatto et al.	2003/0136702 A1 *	7/2003	Redzisz A45C 7/0077 206/545
D629,612 S	12/2010	Weldon	2003/0175394 A1	9/2003	Modler
7,874,177 B2	1/2011	Azamy	2004/0004111 A1	1/2004	Cardinale
7,900,816 B2	3/2011	Kastanek et al.	2004/0028296 A1	2/2004	Meli
D638,220 S	5/2011	Chu et al.	2004/0074936 A1	4/2004	McDonald
D642,870 S	8/2011	Whitlock et al.	2004/0094589 A1	5/2004	Fricano
D645,662 S	9/2011	Perez	2004/0144783 A1	7/2004	Anderson et al.
8,016,090 B2	9/2011	McCoy et al.	2004/0149600 A1	8/2004	Wolter et al.
8,043,004 B2	10/2011	Mogil	2004/0164084 A1	8/2004	Cooper
D648,532 S	11/2011	Sosnovsky	2004/0237266 A1	12/2004	Wang
D650,169 S	12/2011	Klifa	2005/0016895 A1	1/2005	Glenn
8,096,442 B2	1/2012	Ramundi	2005/0045520 A1	3/2005	Johnson
8,191,747 B2 *	6/2012	Pruchnicki A45C 11/20 224/612	2005/0045521 A1	3/2005	Johnson et al.
D664,261 S	7/2012	Kravitz et al.	2005/0196510 A1	9/2005	Walters
8,209,995 B2	7/2012	Kieling et al.	2005/0262871 A1	12/2005	Bailey-Weston
D666,896 S	9/2012	Pinholster, Jr. et al.	2005/0263528 A1	12/2005	Maldonado et al.
D667,043 S	9/2012	Couch, III	2005/0279124 A1	12/2005	Maldonado
8,281,950 B2	10/2012	Potts et al.	2006/0007266 A1	1/2006	Silverbrook
D673,363 S	1/2013	Crandall	2006/0102497 A1	5/2006	Wulf
			2006/0151533 A1	7/2006	Simunovic et al.
			2006/0201979 A1	9/2006	Achilles
			2006/0240159 A1	10/2006	Cash et al.
			2007/0012593 A1	1/2007	Kitchens et al.

US D799,905 S

(56)

References Cited

U.S. PATENT DOCUMENTS

2007/0148305	A1	6/2007	Sherwood et al.	
2007/0148307	A1	6/2007	Sherwood et al.	
2007/0217187	A1	9/2007	Blakely et al.	
2007/0221693	A1	9/2007	Moore	
2007/0237432	A1*	10/2007	Mogil	A45C 7/0077 383/38
2007/0261977	A1	11/2007	Sakai	
2007/0274613	A1	11/2007	Pruchnicki et al.	
2007/0290816	A1	12/2007	Bedard	
2008/0038424	A1	2/2008	Krusemann	
2008/0073364	A1	3/2008	Simmons	
2008/0105282	A1	5/2008	Fernholz et al.	
2008/0128421	A1	6/2008	Ulbrand et al.	
2008/0160149	A1	7/2008	Nasrallah et al.	
2008/0164265	A1	7/2008	Conforti	
2008/0178865	A1	7/2008	Retterer	
2008/0245096	A1	10/2008	Hanson et al.	
2008/0260303	A1	10/2008	De Lesseux et al.	
2008/0305235	A1	12/2008	Gao et al.	
2009/0052809	A1	2/2009	Sampson	
2009/0095757	A1	4/2009	Ramundi	
2009/0280229	A1	11/2009	Constantine et al.	
2009/0311378	A1	12/2009	Wilaschin et al.	
2009/0317514	A1	12/2009	Sizer	
2010/0047423	A1	2/2010	Krusemann et al.	
2010/0059199	A1	3/2010	Court	
2010/0075006	A1	3/2010	Semenza	
2010/0108694	A1	5/2010	Sedlbauer et al.	
2010/0136203	A1	6/2010	Sakata et al.	
2010/0143567	A1	6/2010	Ye et al.	
2010/0224660	A1	9/2010	Gleason	
2010/0284631	A1	11/2010	Lee	
2011/0003975	A1	1/2011	Arase et al.	
2011/0005739	A1	1/2011	Finney et al.	
2011/0030415	A1	2/2011	Breyburg et al.	
2011/0097442	A1	4/2011	Harju et al.	
2011/0108562	A1	5/2011	Lyons	
2011/0167863	A1	7/2011	Herrbold	
2011/0182532	A1	7/2011	Baltus	
2011/0191933	A1	8/2011	Gregory et al.	
2011/0284601	A1	11/2011	Pullin	
2011/0311166	A1	12/2011	Pascua	
2012/0106130	A1	5/2012	Beaudette	
2012/0137637	A1	6/2012	Gillis	
2012/0180184	A1	7/2012	Crye	
2012/0181211	A1	7/2012	Charlebois	
2012/0187138	A1	7/2012	Vasquez et al.	
2012/0294550	A1	11/2012	Hassman et al.	
2012/0311828	A1	12/2012	Nir	
2013/0014355	A1	1/2013	Lee	
2013/0043285	A1*	2/2013	Cordray	A45C 11/20 224/148.3
2013/0174600	A1	7/2013	Sarcinella	
2013/0216158	A1	8/2013	Meldeau et al.	
2013/0264350	A1	10/2013	Handlon et al.	
2013/0294712	A1	11/2013	Seuk	
2013/0341338	A1	12/2013	Mitchell et al.	
2014/0023295	A1	1/2014	Wagner	
2014/0034543	A1	2/2014	Grubstein	
2014/0226920	A1	8/2014	Passavia	
2014/0248003	A1	9/2014	Mogil et al.	
2014/0254956	A1	9/2014	Buell, III	
2015/0008242	A1	1/2015	Kpabar, Jr.	
2015/0136796	A1	5/2015	Muehlhauser	
2015/0175338	A1	6/2015	Culp et al.	
2015/0225164	A1*	8/2015	Seiders	B65D 81/3858 220/592.25
2015/0335202	A1	11/2015	Wisner et al.	
2015/0353263	A1	12/2015	Seiders et al.	
2016/0066817	A1	3/2016	Hannes	
2016/0101924	A1*	4/2016	Mitchell	A45C 7/0077 220/592.2

2016/0107816	A1*	4/2016	Larpenneur	A47J 47/14 220/592.01
2016/0257479	A1	9/2016	Seiders et al.	
2016/0338462	A1	11/2016	Hayashi	

FOREIGN PATENT DOCUMENTS

CA	2327764	A1	6/2002
CA	2433251	A1	12/2004
CA	2483802	A1	4/2006
CA	2498796	A1	9/2006
CA	2499291	A1	9/2006
CA	2503473	A1	10/2006
CA	2548064	A1	11/2007
CA	2549327	A1	11/2007
CA	2633223	A1	12/2009
CA	2782668	A1	12/2013
CN	2125339	U	12/1992
CN	21888899	Y	2/1995
CN	201062136	Y	5/2008
CN	102717977	A	10/2012
CN	202619972	U	12/2012
CN	202959175	U	6/2013
CN	103385657	A	11/2013
CN	302623771		11/2013
CN	302623775		11/2013
CN	302769710		3/2014
CN	302956550		10/2014
CN	303100086		2/2015
CN	303342902		8/2015
DE	3539626	A1	5/1987
DE	20002689	U1	8/2000
DE	202011050174	U1	7/2011
DE	202013101115	U1	3/2013
EP	0037545	A2	10/1981
EP	0082131	A2	6/1983
EP	85534	A1	8/1983
EP	0158634	A1	10/1985
EP	0174159	A2	3/1986
FR	1269009	A	8/1961
FR	2440886	A1	6/1980
GB	1600133	A	10/1981
GB	2249717	A	5/1992
GB	2335972	A	10/1999
GB	3004135		9/2002
GB	3006367		10/2002
JP	11051532		2/1999
JP	3275477	B2	4/2002
JP	D1160335		12/2002
JP	2003026258	A	1/2003
JP	D1213384		8/2004
JP	D1242111		6/2005
JP	2010023926	A	2/2010
JP	D1445624		7/2012
KR	20020027739	A	4/2002
KR	20040092730	A	11/2004
KR	300778570.0000		1/2015
KR	300808669.0000		8/2015
KR	300835242.0000		1/2016
KR	300853718.0000		5/2016
WO	9524146	A2	9/1995
WO	9812954	A1	4/1998
WO	2006007266	A2	1/2006
WO	2006058538	A1	6/2006
WO	2007016092	A2	2/2007
WO	2010106296	A2	9/2010
WO	2010120199	A1	10/2010
WO	2012003543	A1	1/2012
WO	2014033450	A1	3/2014
WO	2016066817	A1	5/2016

OTHER PUBLICATIONS

Icemule Classic Cooler—Large (20L), <http://www.icemulecooler.com/icemule-classic-cooler-large-20l/>, published date unknown, but prior to the filing date of the present application, Icemule, United States.

(56)

References Cited

OTHER PUBLICATIONS

The-gadgeteer.com: Tom Bihn Camera I-O Bag Review. Published by Janet Cloninger on Jul. 9, 2012. Retrieved from the Internet at <<http://the-gadgeteer.com/2012/07/09/tom-bihn-camera-i-o-bag-review/>>, Jan. 8, 2016. 23 pages.

Devonbuy.com: Thule Gauntlet 13" MacBook Pro Attaché. Published on Jul. 28, 2014. Retrieved from the internet at <<http://www.devonbuy.com/thule-gauntlet-13-macbook-pro-attache/>>, Feb. 24, 2016. 9 pages.

United States District Court for the Western District of Texas, Austin Division, "Defendants' Answer and Counterclaims to YETI's Complaint," *YETI Coolers, LLC*, vs. *RTIC Soft Sided Coolers, LLC, RTIC Coolers, LLC, RTIC Web Services, LLC, and Corporate Support and Fulfillment, LLC*, Case 1:16-cv-00909-RP, Document 11, Filed Aug. 18, 2016, 44 pages.

United States District Court Western District of Texas, Austin Division, "Complaint," *YETI Coolers, LLC*, v. *RTIC Soft Side Coolers, RTIC Coolers, LLC, RTIC Web Services, LLC, and Corporate Support and Fulfillment, LLC*, Case 1:16-cv-00909, Document 1, Filed Jul. 27, 2016, 66 pages.

United States District Court Western District of Texas, Austin Division, "Complaint for Damages and Injunctive Relief," *YETI Coolers, LLC* v. *Jennifer Leverne Bootz Evans d/b/a Bling and Burlap Buy In's and Blanks*, Case 1:15-cv-00995, Document 1, Filed Nov. 2, 2015, 128 pages.

United States District Court Western District of Texas, Austin Division, "Order," *YETI Coolers, LLC* v. *Jennifer Leverne Bootz Evans d/b/a Bling and Burlap Buy In's and Blanks*, Case 1:15-cv-00995-RP, Document 18, Filed Apr. 18, 2016, 1 page.

United States District Court Western District of Texas, Austin Division, "Defendant's Reply in Support of Their Rule 12 (B)(6) Motion to Dismiss for Failure to State a Claim" *YETI Coolers, LLC* v. *RTIC Soft Sided Coolers, LLC, RTIC Coolers, LLC, RTIC Web Services, LLC, and Corporate Support and Fulfillment, LLC*, Case 1:16-cv-00909-RP, Document 15, Filed Sep. 8, 2016, 13 pages.

United States District Court Western District of Texas, Austin Division, "YETI's Answer to RTIC's Counterclaims," *YETI Coolers, LLC* v. *RTIC Soft Sided Coolers, LLC, RTIC Coolers, LLC,*

RTIC Web Services, LLC, and Corporate Support and Fulfillment, LLC, Case 1:16-cv-00909-RP, Document 14, Filed Sep. 2, 2016, 16 pages.

United States District Court Western District of Texas, Austin Division, "YETI's Opposition to RTIC's Motion to Dismiss," *YETI Coolers, LLC* v. *RTIC Soft Sided Coolers, LLC, RTIC Coolers, LLC, RTIC Web Services, LLC, and Corporate Support and Fulfillment, LLC*, Case 1:16-cv-00909-RP, Document 13, Filed Sep. 1, 2016, 17 pages.

United States District Court for the Western District of Texas, Austin Division, "Defendants' Rule 12(B)(6) Motion to Dismiss for Failure to State a Claim," *YETI Coolers, LLC*, vs. *RTIC Soft Sided Coolers, LLC, RTIC Coolers, LLC, RTIC Web Services, LLC, and Corporate Support and Fulfillment, LLC*, Case 1:16-cv-00909-RP, Document 10, Filed Aug. 18, 2016, 12 pages.

United States District Court for the Western District of Texas, Austin Division, "Joint Rule 26(f) Report and Discovery Plan," *YETI Coolers, LLC*, vs. *RTIC Soft Sided Coolers, LLC, RTIC Coolers, LLC, RTIC Web Services, LLC, and Corporate Support and Fulfillment, LLC*, Case 1:16-cv-00909-RP, Document 19, Filed Oct. 11, 2016, 9 pages.

Petition for Inter Partes Review of U.S. Pat. No. 9139352, filed on Dec. 13, 2016, 1616 pages.

YouTube.com: Patagonia Black Hole Duffel 60L. Published Aug. 26, 2013. Retrieved from the internet at <<https://www.youtube.com/watch?v=W-PWEmZmVv8>>, Dec. 19, 2016. 1 page.

Youtube, "Yeti Hopper Cooler At Icast 2014", Uploaded by user "TackleDirect" on Jul. 17, 2014, Accessed Jan. 31, 2017. (<https://www.youtube.com/watch?v=A2rKRdyZcZ4>).

EBags, Picnic Pack Picnic Pack Large Insulated Cooler Tote, First reviewed on Jul. 20, 2016. Accessed Feb. 7, 2017. (<http://www.ebags.com/product/picnic-pack/picnic-pack-large-insulated-cooler-tote/313704?roductid=10428840>).

United States Patent and Trademark Office Before the Patent Trial and Appeal Board, Decisions Joint Motions to Terminate Inter Partes Review, Entered Mar. 22, 2017—(4 pgs).

United States District Court Western District of Texas Austin Division, "Complaint," *YETI Coolers, LLC* v. *Glacier Coolers, LLC, and Tecomate Holdings, LLC*, Case 1:17-cv-00586, Document 1, filed Jun. 15, 2017, 161 pages.

* cited by examiner

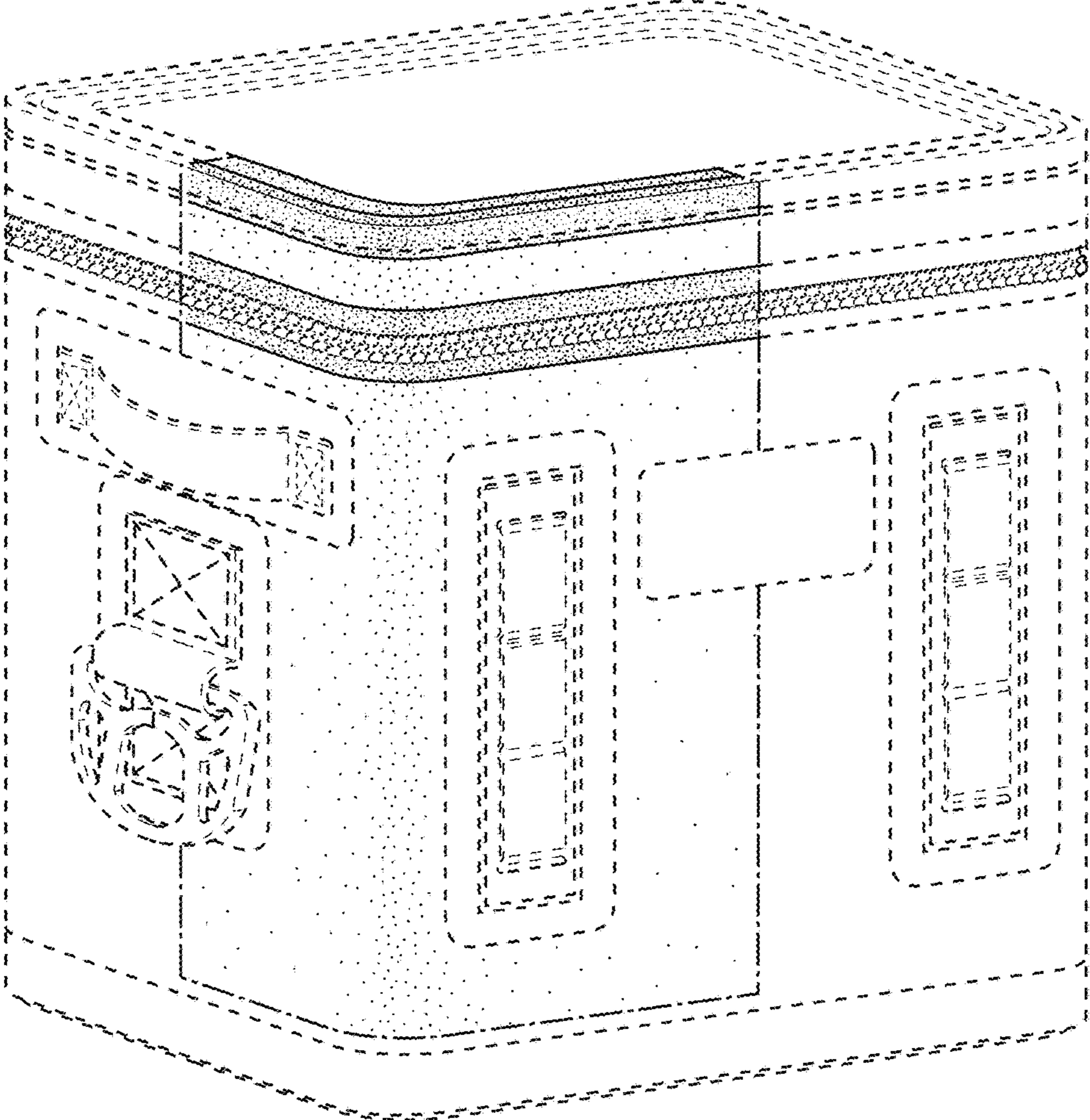


FIG. 1

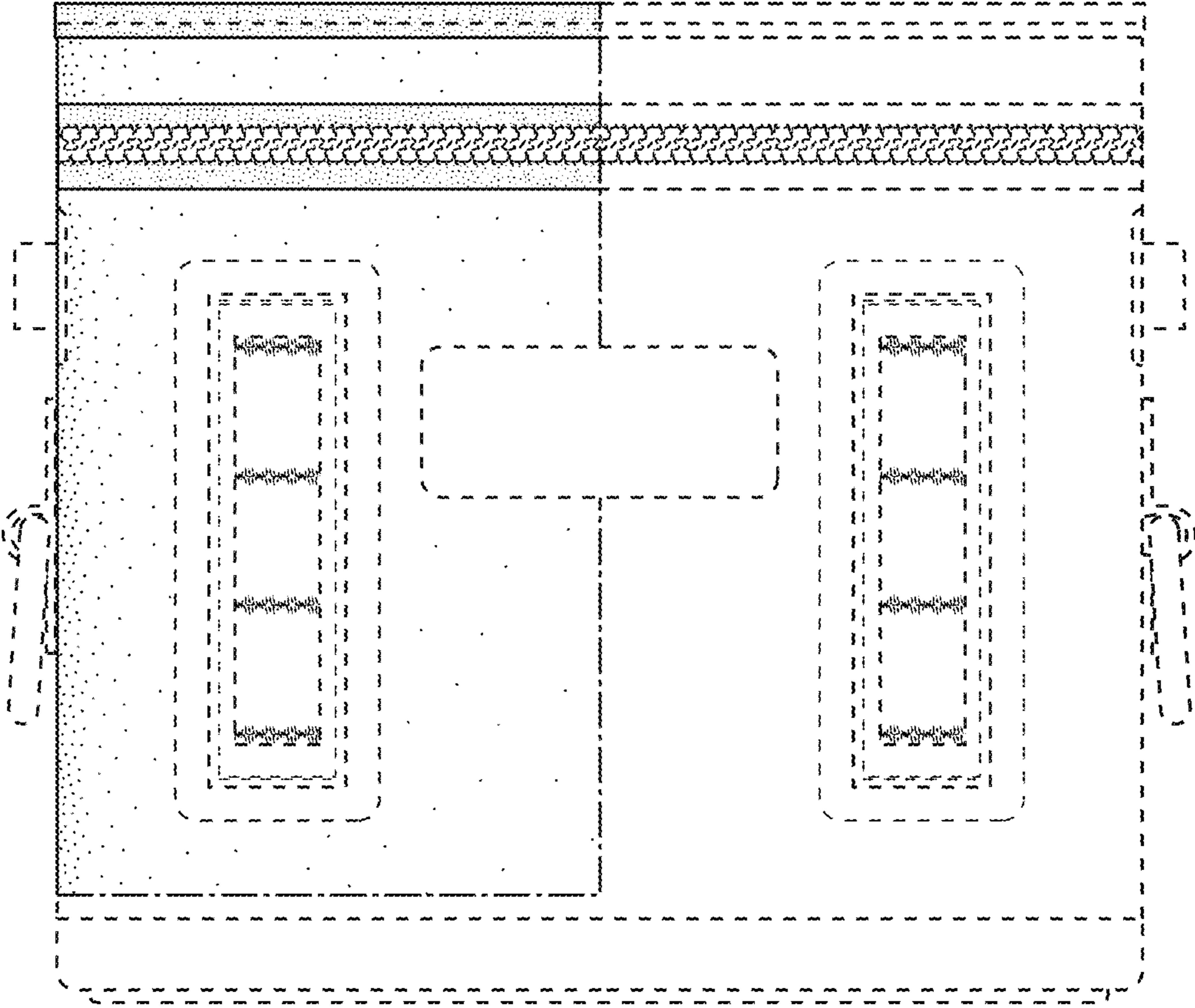


FIG. 2

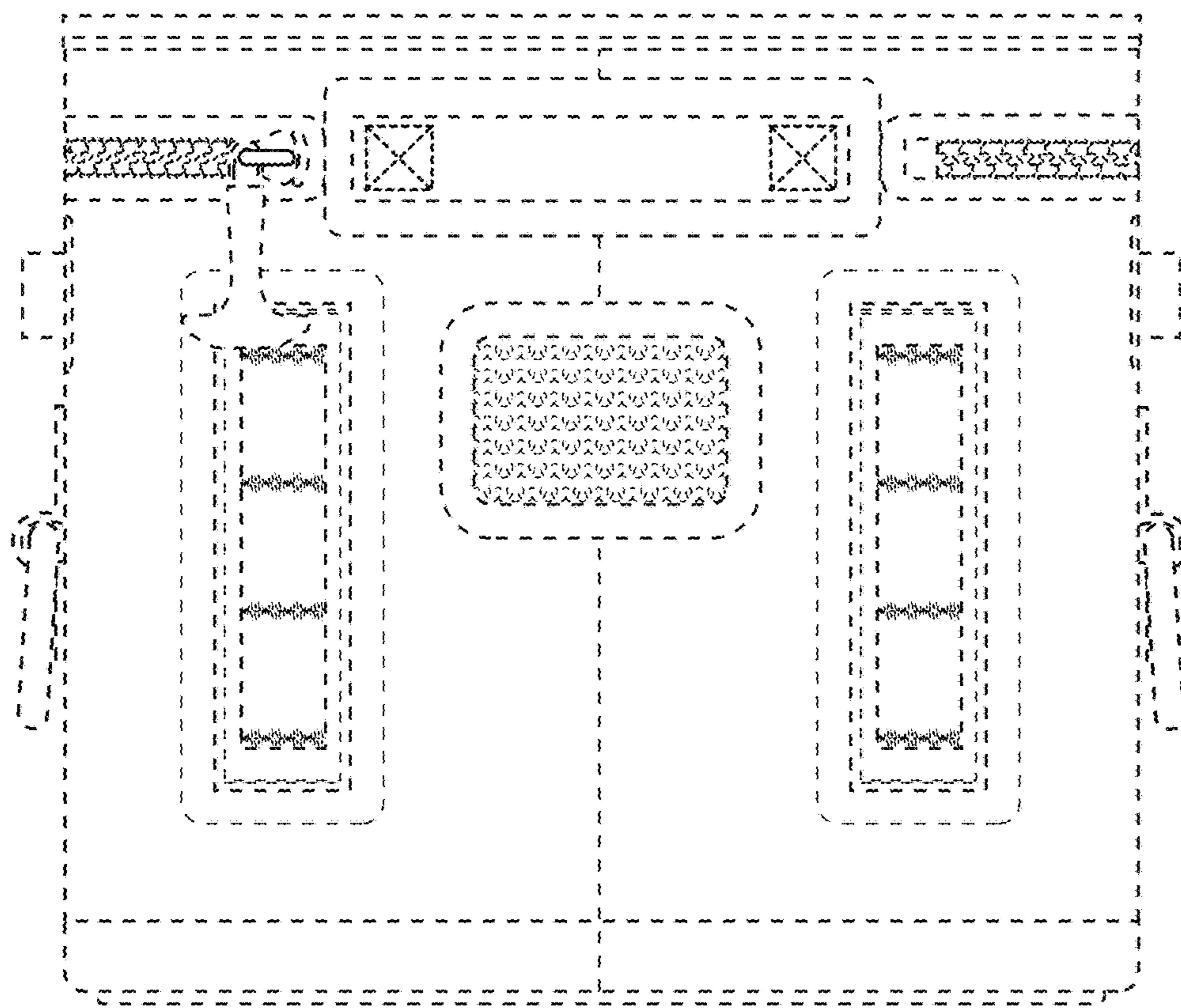


FIG. 3

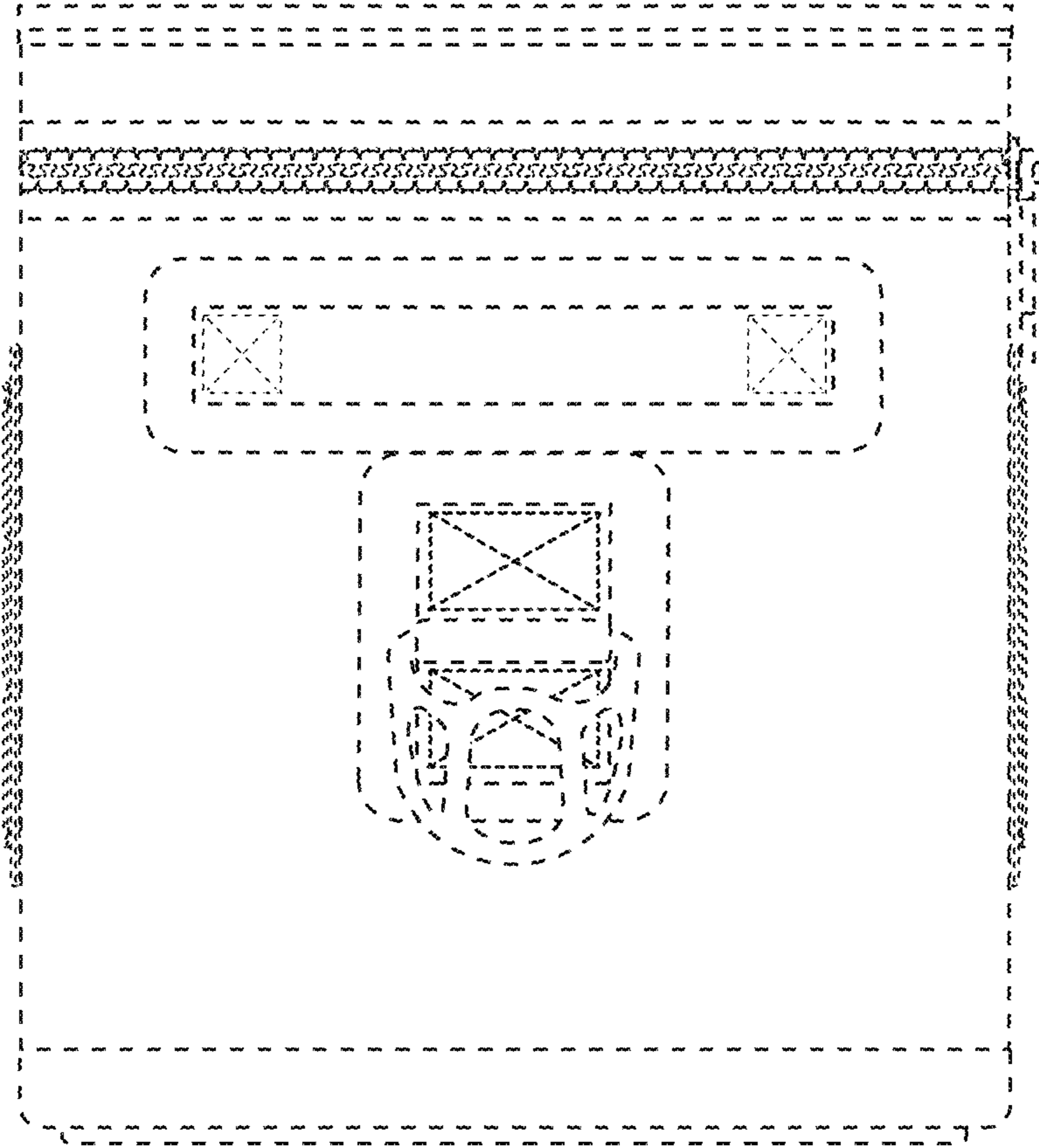


FIG. 4

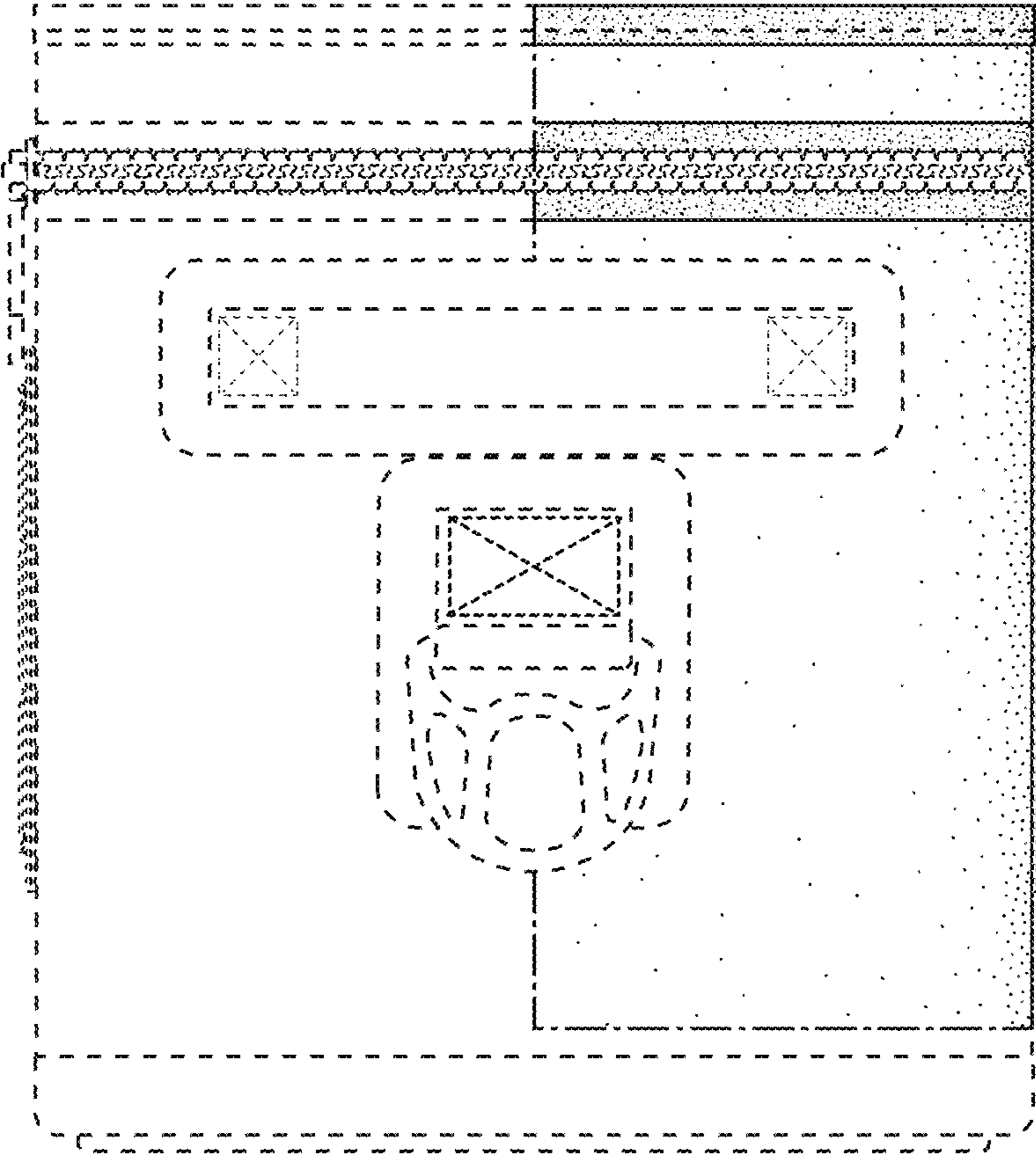


FIG. 5

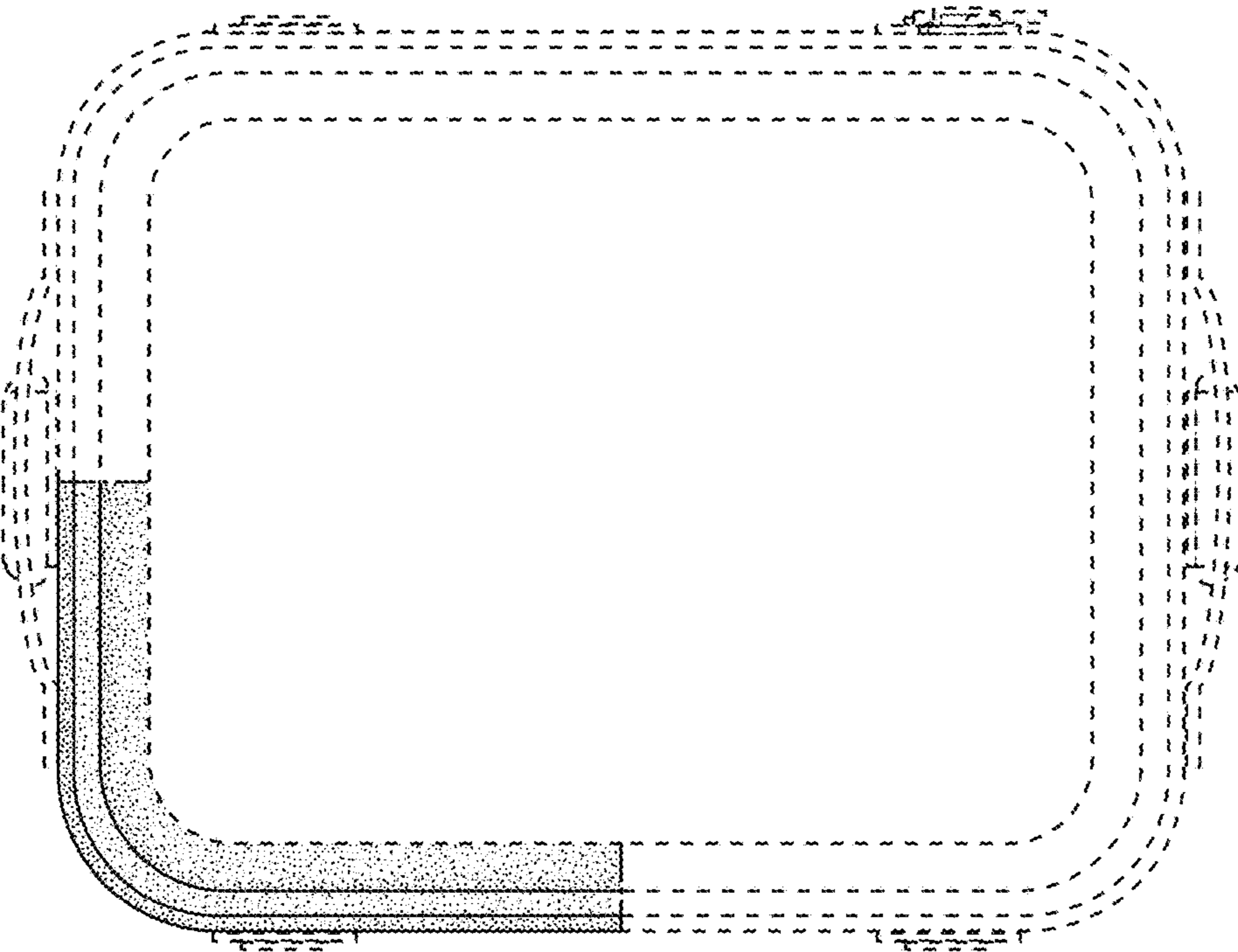


FIG. 6

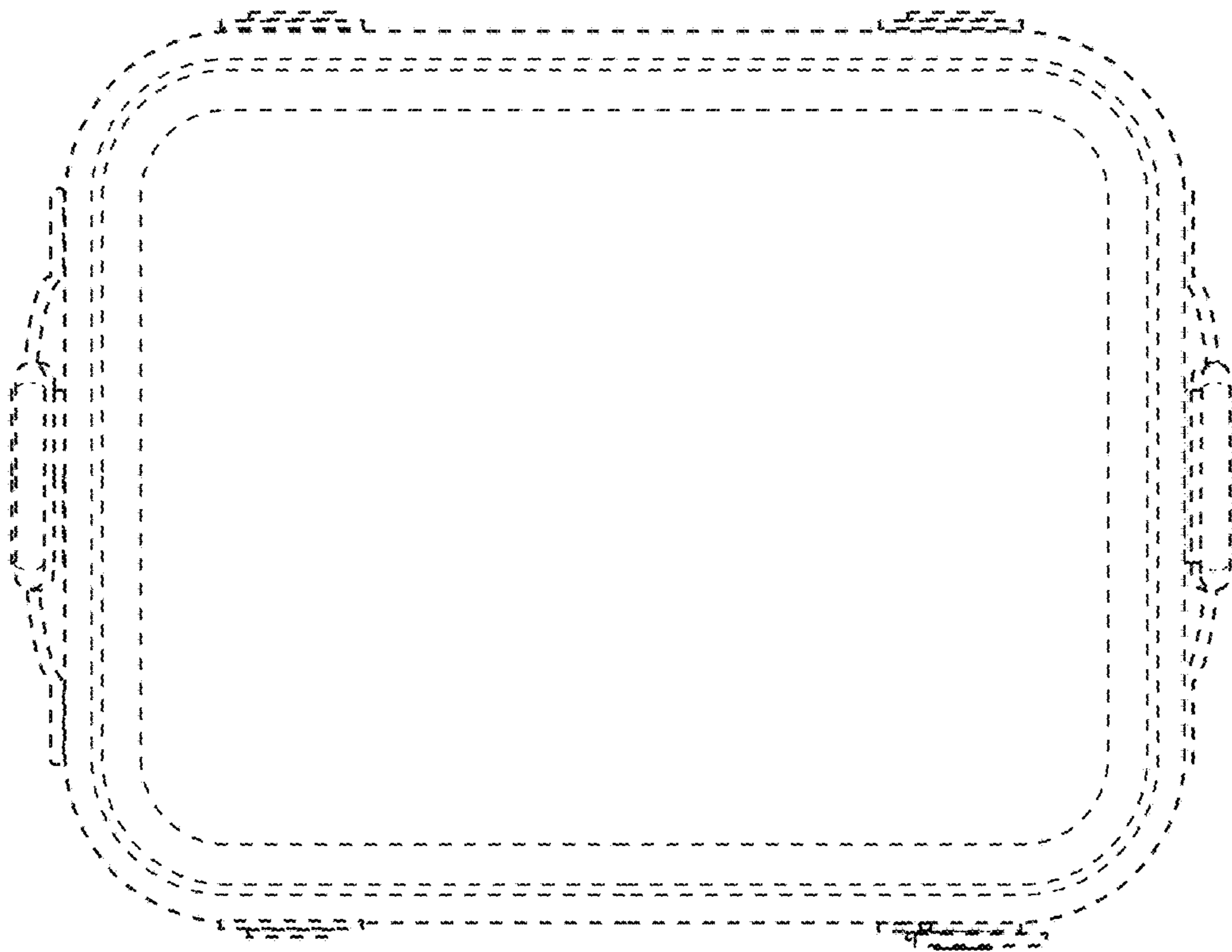


FIG. 7