



US00D799904S

(12) **United States Design Patent** (10) **Patent No.:** **US D799,904 S**
Suarez et al. (45) **Date of Patent:** **** Oct. 17, 2017**

(54) **POPCORN BOX HOLDER**

(71) Applicants: **Jesus F. Suarez**, Uvalde, TX (US);
Diane H. Luna, Uvalde, TX (US)

(72) Inventors: **Jesus F. Suarez**, Uvalde, TX (US);
Diane H. Luna, Uvalde, TX (US)

(**) Term: **15 Years**

(21) Appl. No.: **29/505,338**

(22) Filed: **Oct. 19, 2015**

(51) **LOC (10) Cl.** **07-07**

(52) **U.S. Cl.**
USPC **D7/602**

(58) **Field of Classification Search**

USPC D7/628, 601, 602, 604, 605, 606, 608,
D7/612, 613, 614, 615, 701-708, 619.1,
D7/619.2, 622, 623, 624.1-624.3, 625,
D7/709, 710, 629, 630, 640, 639, 500,
D7/505, 506, 507, 509, 510, 511, 514,
D7/515, 516, 517, 519, 533, 539, 540,
D7/542, 543, 544, 545, 600, 651, 607,
D7/521, 590, 620, 621, 631, 632, 641;
D9/600, 651, 601, 605, 607, 500, 516,
D9/521, 444, 455; D3/270, 271, 207,
D3/221, 228, 259, 269, 276, 282, 304,
D3/306, 307, 308, 309, 314, 315;
206/457; D11/164, 152; D26/9; D8/71
CPC .. F25D 3/08; B65D 25/30; B65D 7/24; B65D
81/3876; B65D 81/3879; B65D 23/104;
B65D 81/38; B65D 81/3886; B65D
81/3883; B65D 81/3881; A45C 11/20;
A47G 23/0216; A47G 19/2288; A47G
29/00; A47G 23/02; A45F 2200/0583;
A61F 7/10; B31D 5/0086; A47F 7/00;
A47F 7/28; A47F 7/06; A47F 7/0057;
A47F 5/00; A47F 5/10; A47F 5/01; A47F
5/04; A47B 81/001; A47B 73/002; A47B
73/004; A47B 73/00; B25H 3/04

See application file for complete search history.

(56) **References Cited**

U.S. PATENT DOCUMENTS

1,406,326	A *	2/1922	Andrews	A01D 46/22 224/191
D228,335	S *	9/1973	Jackson	220/741
4,491,220	A	1/1985	Daviss	
D333,756	S *	3/1993	Campbell	D6/513
D334,804	S *	4/1993	Jones	D24/127
D335,176	S *	4/1993	Jones	D24/128
D335,177	S *	4/1993	Jones	D24/128
D335,178	S *	4/1993	Jones	D24/128
D335,180	S *	4/1993	Jones	D24/128
D340,622	S *	10/1993	Park	D6/513
D341,883	S *	11/1993	Jones	D24/127
D355,336	S *	2/1995	Dickey	D7/620
D364,539	S *	11/1995	Dickey	D7/620

(Continued)

Primary Examiner — Ian Simmons

Assistant Examiner — Shannon Morgan

(74) *Attorney, Agent, or Firm* — Paul R. Martin

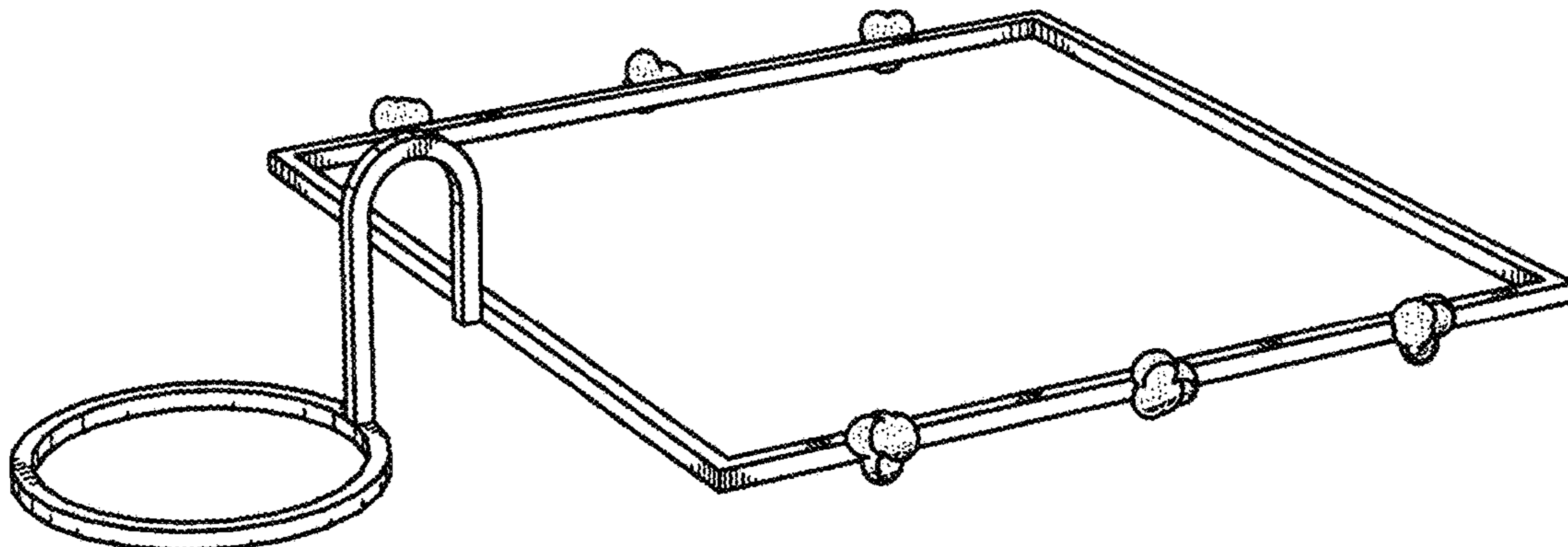
(57) **CLAIM**

The ornamental design for a popcorn box holder, as shown and described.

DESCRIPTION

FIG. 1 is a perspective view of a popcorn box holder showing our new design;
FIG. 2 is another perspective view thereof;
FIG. 3 is a bottom plan view thereof;
FIG. 4 is a top plan view thereof;
FIG. 5 is a rear elevational view thereof;
FIG. 6 is a front elevational view thereof;
FIG. 7 is a right side elevational view thereof; and,
FIG. 8 is a left side elevational view thereof.
The broken lines showing a box in FIG. 1 depicts environmental subject matter and forms no part of the claimed design.

1 Claim, 6 Drawing Sheets



(56)

References Cited

U.S. PATENT DOCUMENTS

D371,735 S * 7/1996 Motta D6/535
5,720,516 A 2/1998 Young
6,260,732 B1 * 7/2001 Khodush B65D 25/2811
220/737
D447,012 S * 8/2001 Owens D7/620
6,279,762 B1 * 8/2001 Buchalter B42F 15/0094
211/189
8,550,550 B2 10/2013 Cassese et al.
D760,497 S * 7/2016 Martin D3/304
D762,377 S * 8/2016 Kinsky D3/228
D769,717 S * 10/2016 Fairchild, Jr. D7/624.2
2004/0020751 A1 * 2/2004 Takiguchi H01H 25/041
200/6 A
2006/0050844 A1 * 3/2006 Galkin A61B 6/0414
378/37
2006/0196999 A1 * 9/2006 Owens E06C 7/143
248/210
2006/0198985 A1 * 9/2006 Knoller A47B 57/045
428/122
2007/0007417 A1 * 1/2007 Brandenburg A47K 10/185
248/318
2007/0261981 A1 11/2007 Ojeda

* cited by examiner

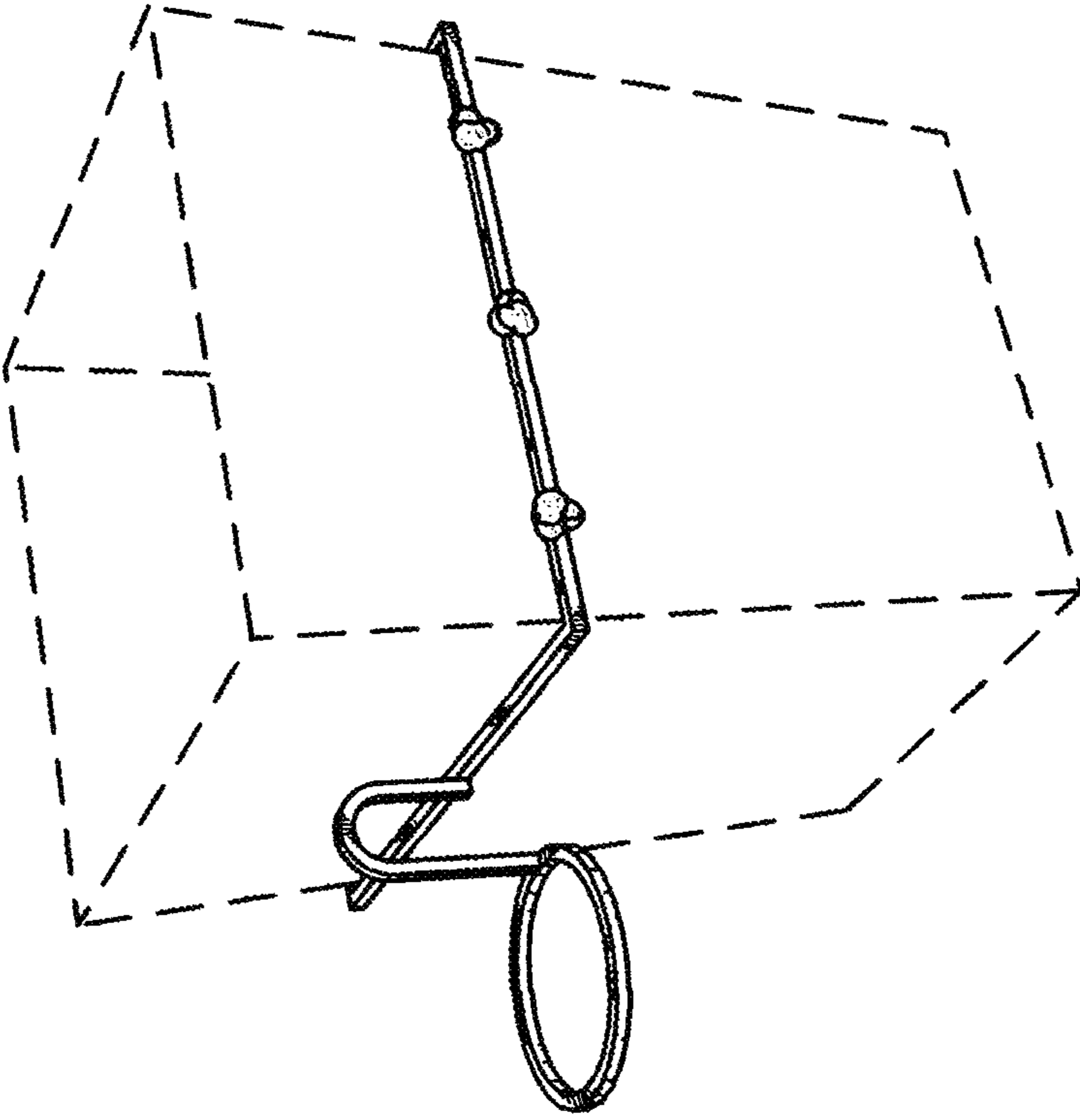


FIG. 1

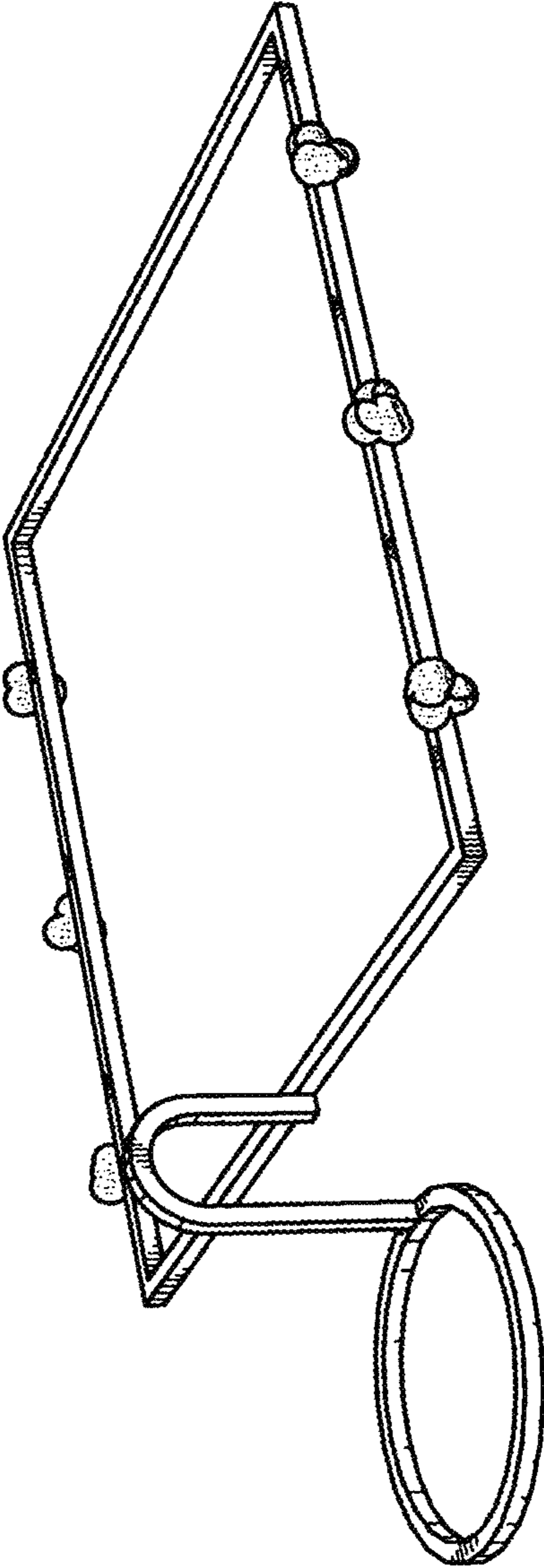


FIG. 2

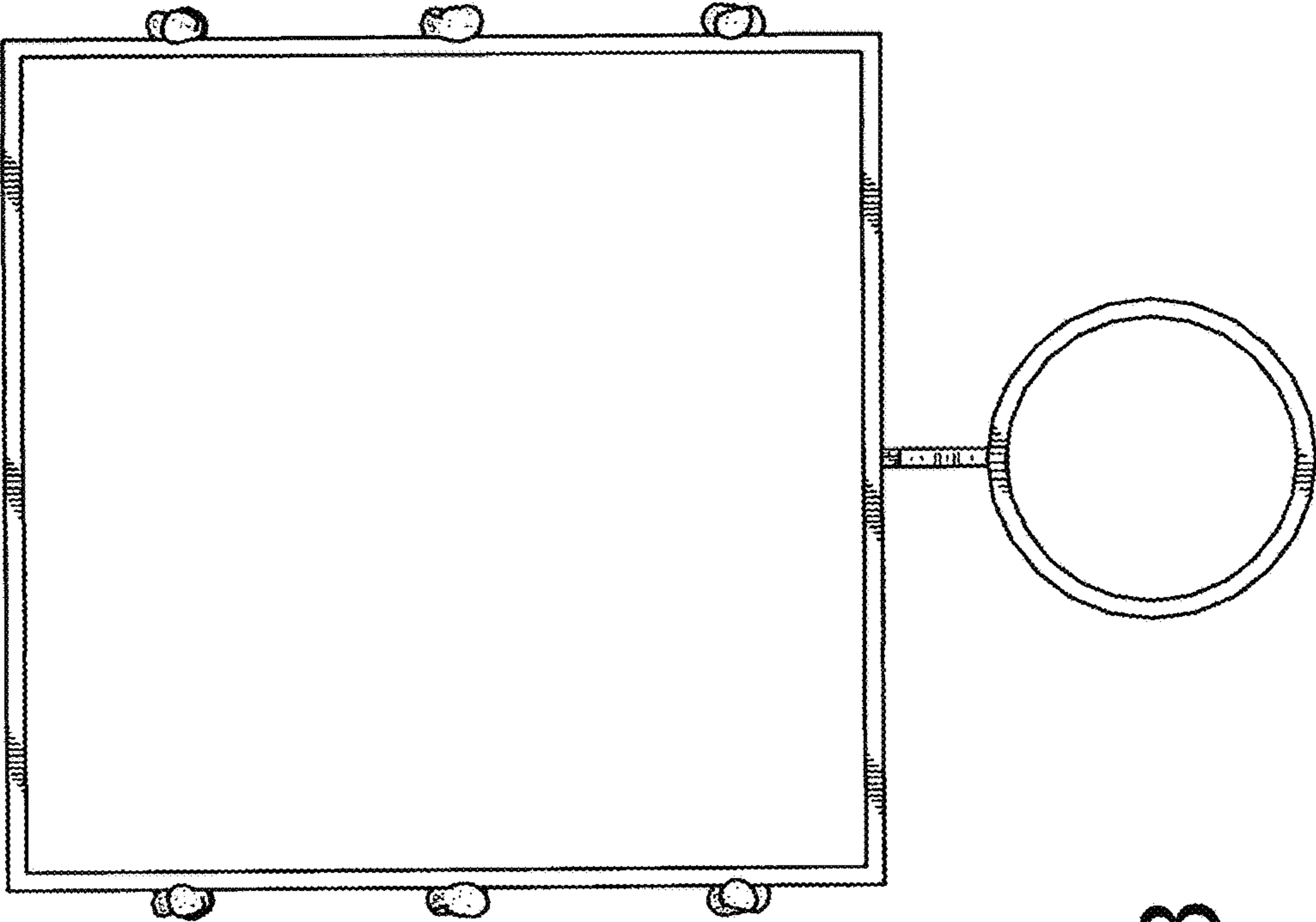


FIG. 3

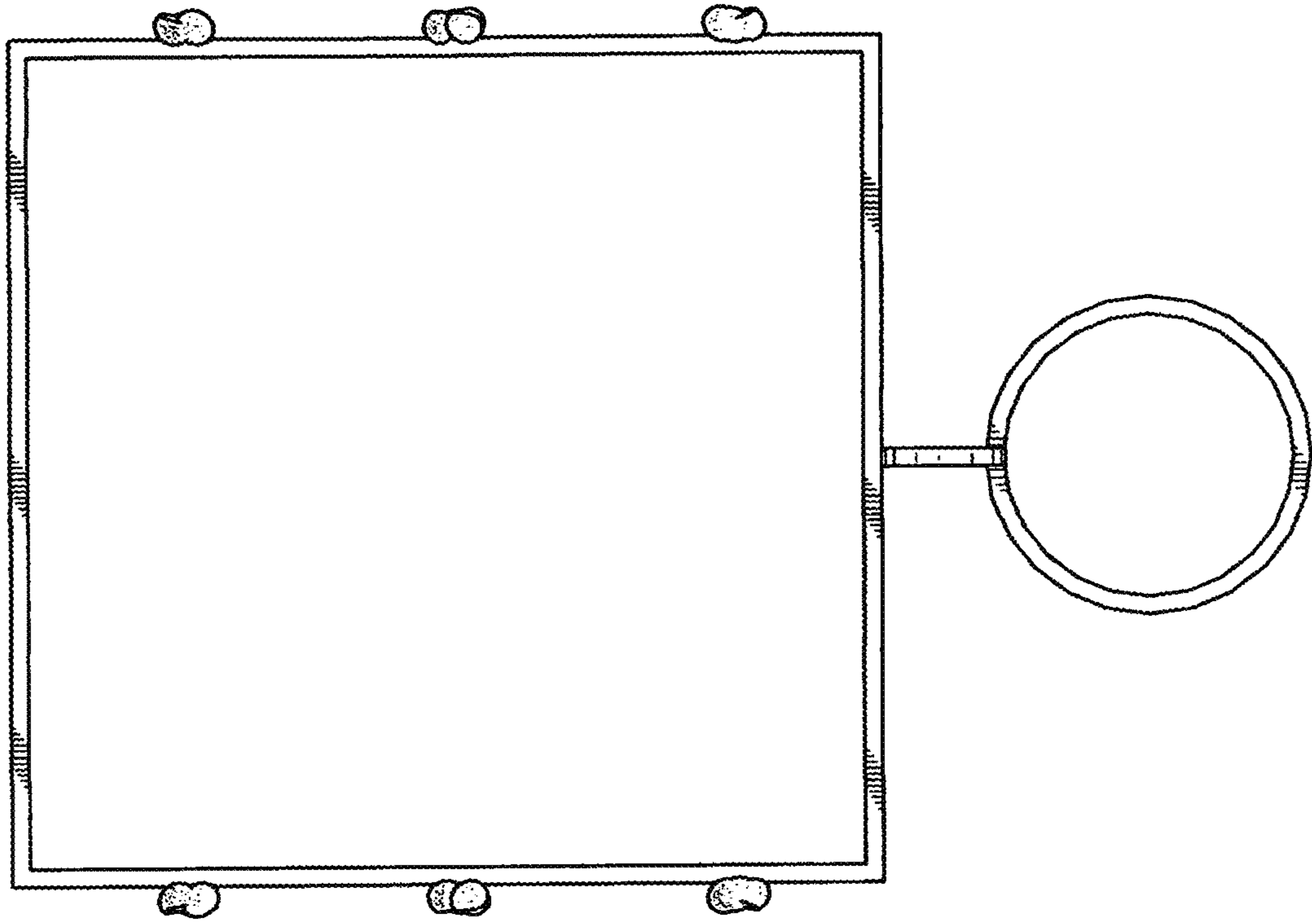


FIG.4

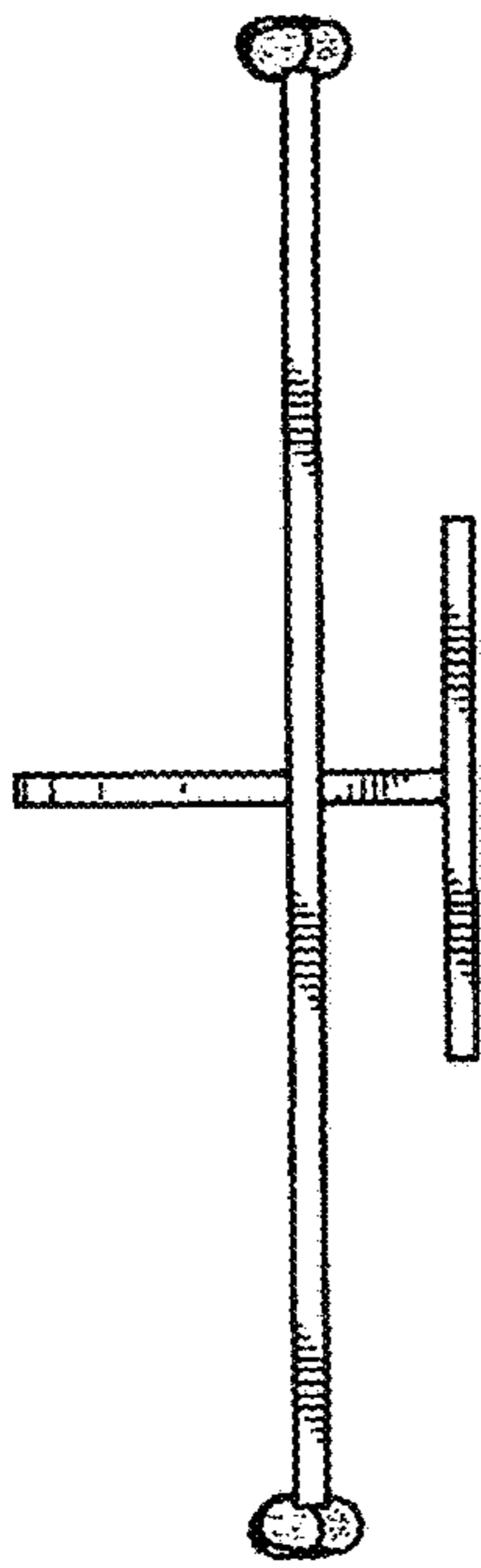


FIG. 5

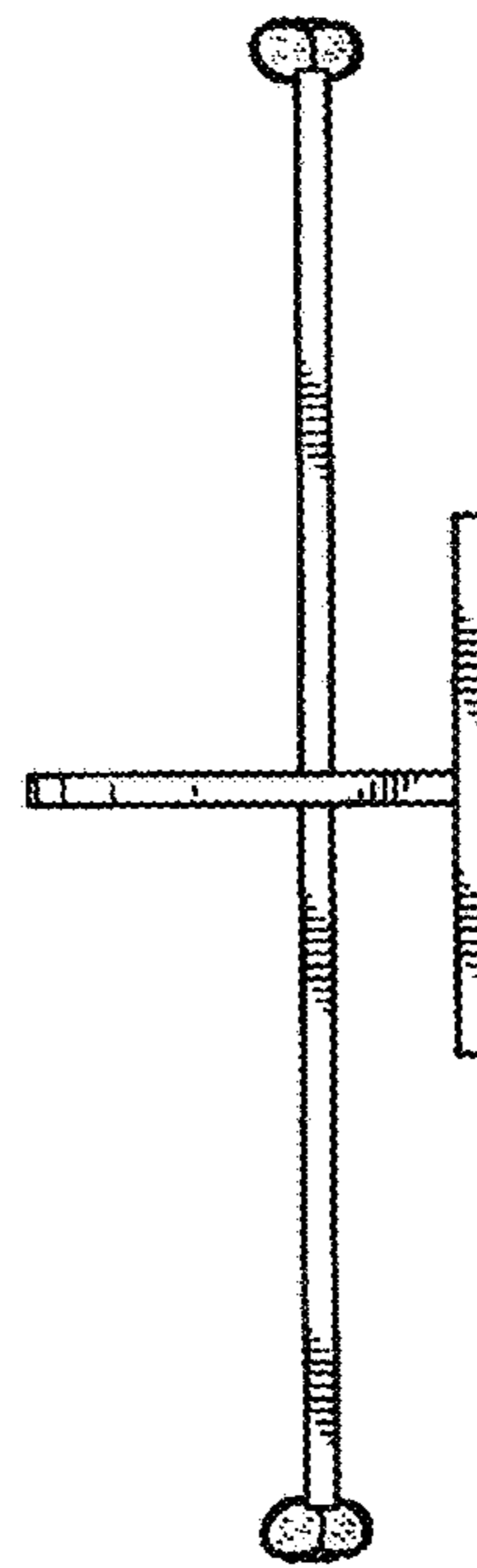


FIG. 6

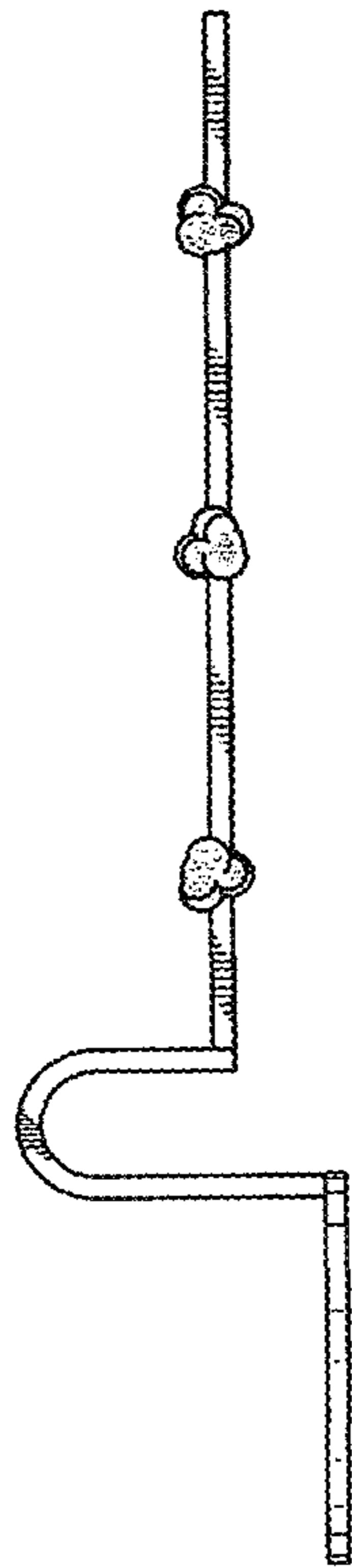


FIG. 7

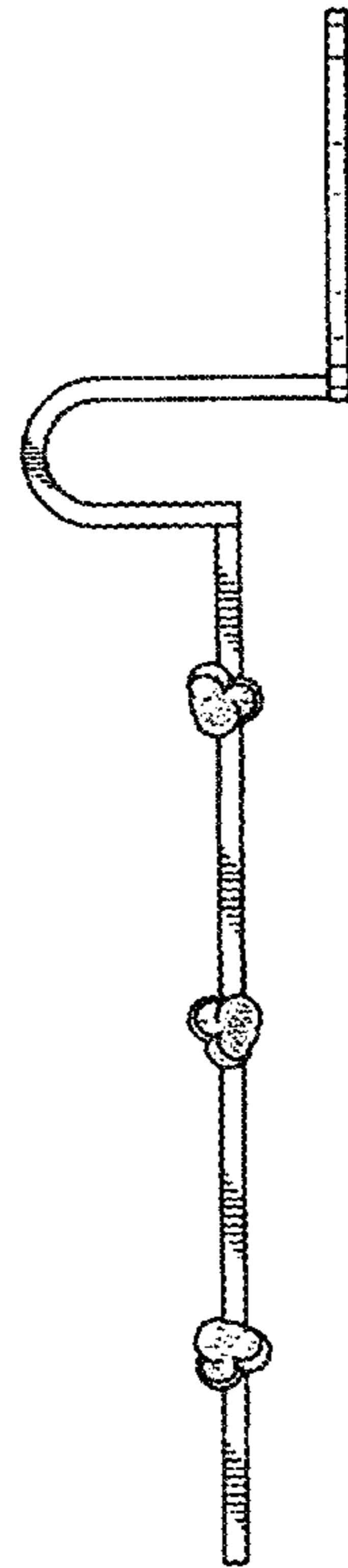


FIG. 8